

SEGA

ELECTRONIC ARTS®

P R E S E N T S

# WING COMMANDER®

The 3-D Space Combat Simulator



A Chris Roberts Game

ORIGIN®

PRODUCED BY ORIGIN SYSTEMS, INC.  
AN ELECTRONIC ARTS COMPANY

LICENSED BY SEGA ENTERPRISES, LTD.  
FOR PLAY ON THE SEGA CD™ SYSTEM

Rated by V.R.C.™

**MA-13**

Parental Discretion  
Advised

Mature Audiences

SEGA CD™





# **WARNING:**

## **READ BEFORE USING YOUR SEGA VIDEO GAME SYSTEM.**

A very small percentage of individuals may experience epileptic seizures when exposed to certain light patterns or flashing lights. Exposure to certain patterns or backgrounds on a television screen or while playing video games may induce an epileptic seizure in these individuals. Certain conditions may induce previously undetected epileptic symptoms even in persons who have no history of prior seizures or epilepsy. If you, or anyone in your family, has an epileptic condition, consult your physician prior to playing. If you experience any of the following symptoms while playing a video game — dizziness, altered vision, eye or muscle twitches, loss of awareness, disorientation, any involuntary movement or convulsions — IMMEDIATELY discontinue use and consult your physician before resuming play.

## **WARNING TO OWNERS OF PROJECTION TELEVISIONS:**

STILL PICTURES OR IMAGES MAY CAUSE PERMANENT-PICTURE TUBE DAMAGE OR MARK THE PHOSPHOR OF THE CRT. AVOID REPEATED OR EXTENDED USE OF VIDEO GAMES ON LARGE-SCREEN PROJECTION TELEVISIONS.

## **HANDLING YOUR SEGA CD DISC:**

- The Sega CD Disc is intended for use exclusively with the Sega CD™ System.
- Do not bend it, crush it, or submerge it in liquids.
- Do not leave it in direct sunlight or near a radiator or other source of heat.
- Be sure to take an occasional recess during extended play, to rest yourself and the Sega CD Disc.
- KEEP YOUR SEGA CD DISC CLEAN. Always hold by the edges, and keep in its case when not in use. Clean with a lint-free, soft dry cloth — wiping in straight lines from center to edge. Never use solvents or abrasive cleaners.



This official seal is your assurance that this product meets the highest quality standards of SEGA™. Buy games and accessories with this seal to be sure that they are compatible with the SEGA CD™ SYSTEM.



# WING COMMANDER

## PLAYING WING COMMANDER

STARTING THE GAME .....	2
LOUNGE .....	4
SIMULATOR .....	5
BARRACKS .....	5
MISSION HANGAR .....	6
COCKPIT INSTRUMENTS .....	6
IN-FLIGHT SYSTEMS .....	12
CAMERA VIEWS .....	15
LANDING .....	15
GENERAL TIPS .....	15
YOUR FIRST MISSION .....	16
THE CAMPAIGN .....	20
VEGA SECTOR MAP .....	20
CLAWMARKS MAGAZINE .....	21
CREDITS .....	64



## THE 3-D SPACE SIMULATOR

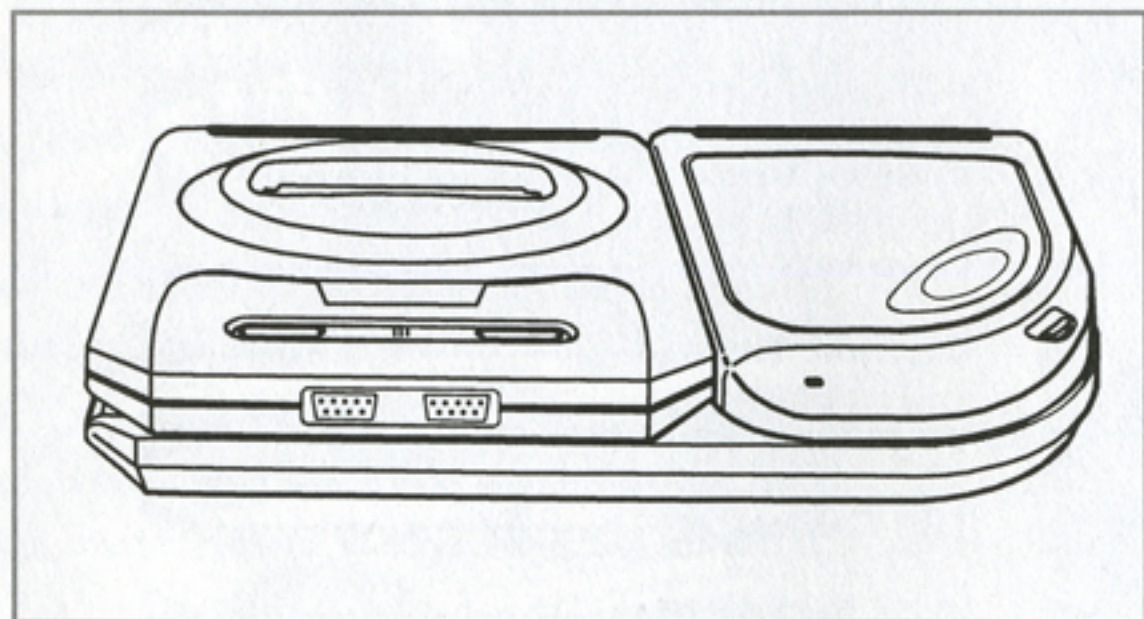
The Confederation could use a hero right now. If you've got the stamina and guts to survive, you can save humanity and help topple the evil Kilrathi Empire. Since 2634, this race of vicious, catlike aliens has been attacking and conquering colonies and planets aligned with the Terran Confederation.

Now, it is the year 2654, and you've just graduated from the TCS naval academy as one of the top pilots in your class. It's been your dream as long as you can remember to make it as a combat pilot in the deadliest war in history. Having chosen the Tiger's Claw as your homeship, you've almost completed the final leg of your journey. As the Tiger's Claw rolls into view, your heart fills with pride and pounds with anticipation...

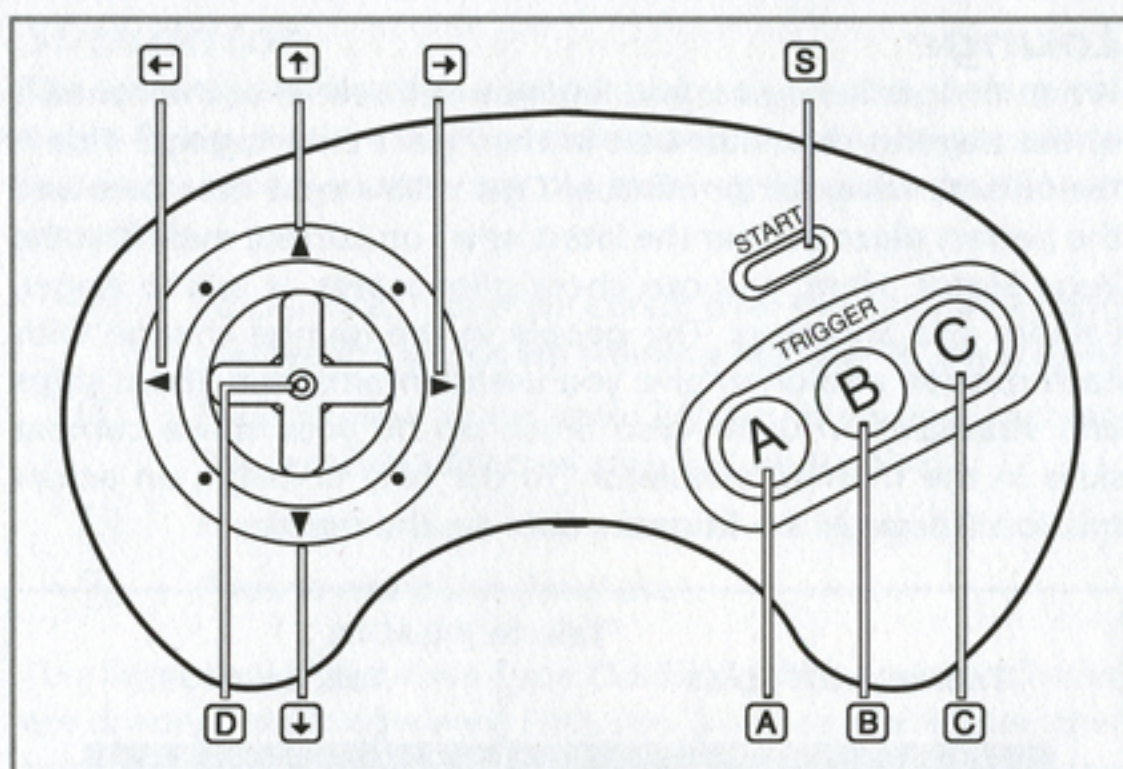
## STARTING THE GAME

To begin *Wing Commander*, open the disc drive and place the disc in the Sega CD system. Then, make sure the AC adapters are plugged in for both the Sega Genesis and Sega CD systems. Finally, turn on power to the Sega Genesis system (if necessary, refer to the hardware documentation).

The game will automatically load and proceed through an introductory animation. To bypass the entire introduction and other animations, press **[B]** on the control pad. The following diagram shows the standard 3-button Sega control pad. (You may use other compatible control pads, but all functions may not work with *Wing Commander*):

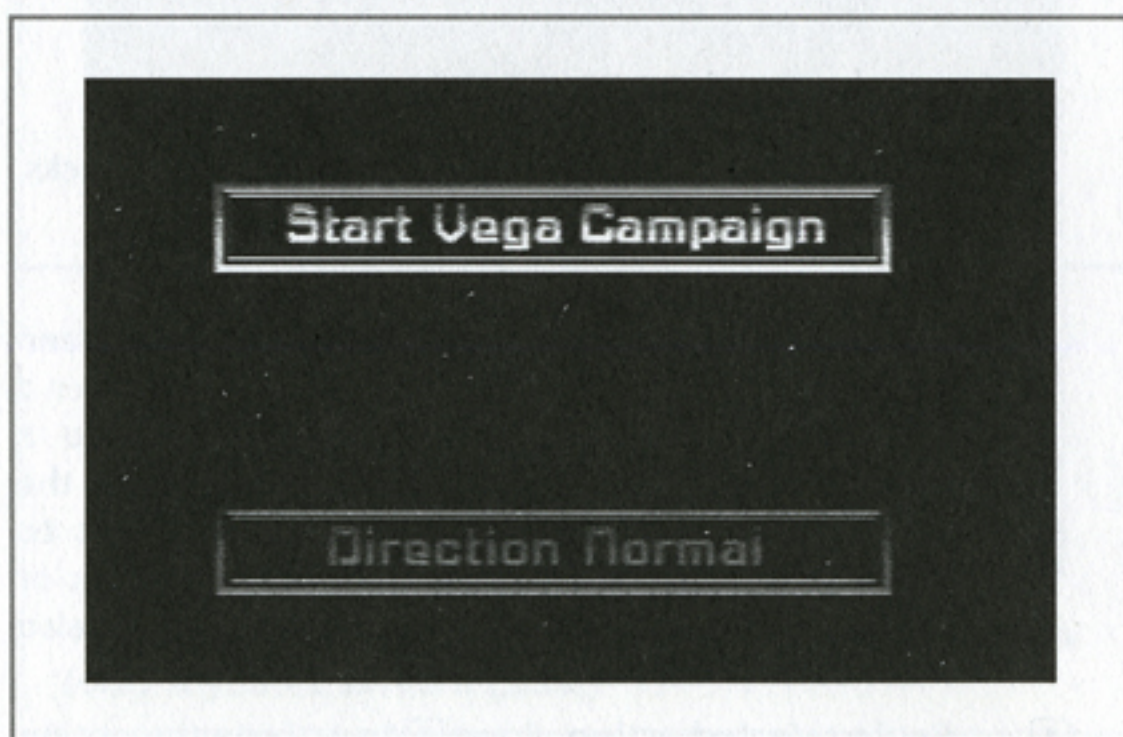






- D** Use the D-pad to position the cursor (on the carrier) and steer your ship (during flight).
- B** **↑** Whenever you see more than one symbol, press all keys simultaneously. For example, in this case you would press **B** and **↑** (on the D-pad) at the same time.
- A** x 2 Press the indicated key twice.

When the introduction is over, a menu will appear:



The **Direction Normal** option may be changed to **Direction Reverse**. **Direction Normal** simulates a joystick control, meaning that pressing **↓** will make your ship turn upward. **Direction Reverse** is just the opposite; pressing **↓** will make your ship turn downward. To change this, use **D** to select the **Direction** option and then press **A** to toggle between **Normal** and **Reverse**.

After you save games, you will also see **Continue Campaign**.







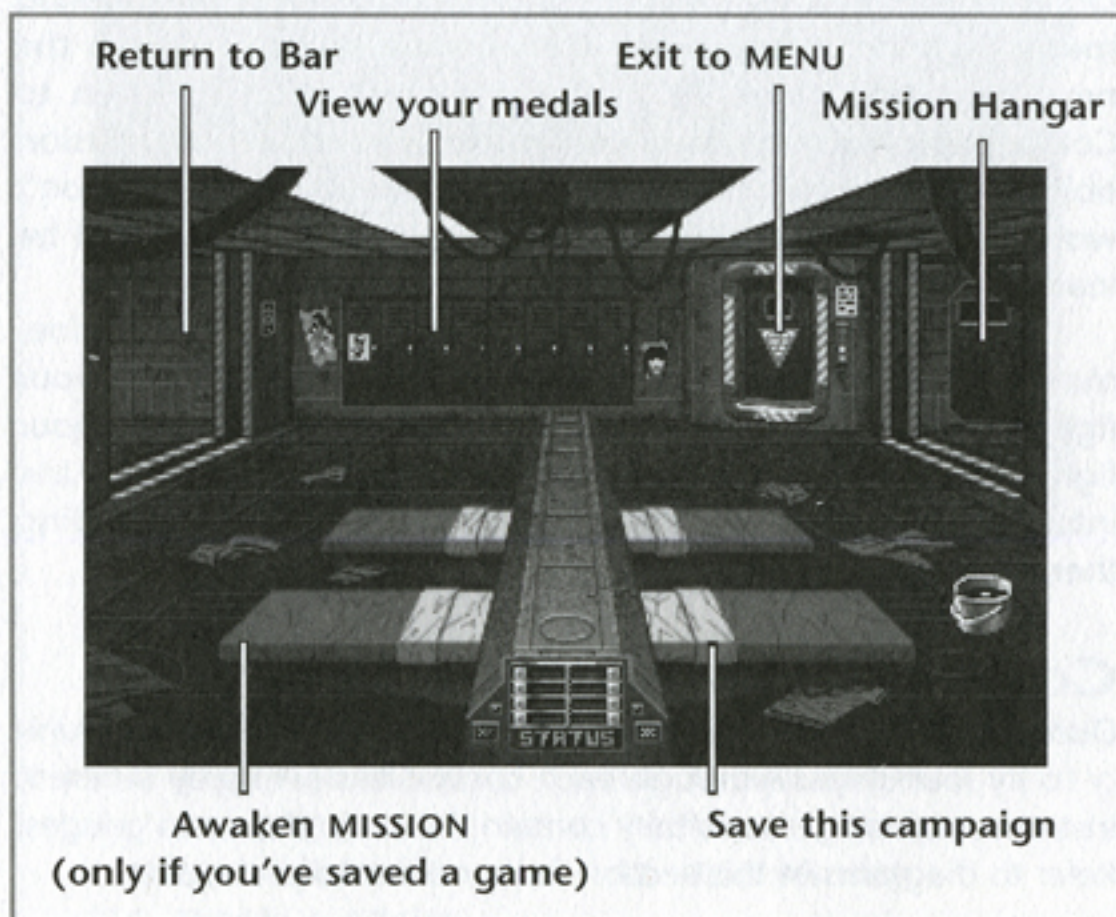
## Simulator

The training simulator is a good place to practice before you begin flying missions. If your main trouble is shooting accurately, for example, you can use the training simulator to improve your skills.

- [D]** To practice, move the cursor over the simulator (until you see the words **Fly Training Mission** on the screen).
- [A]** Press to view four Kilrathi fighters in your viewscreen. The currently selected ship will be flashing.
- [D]** Press to choose a ship you wish to fly against.
- [A]** Press to enter the simulation.

Ten fighters of the chosen type (*Salthi*, *Dralthi*, *Krant* or *Gratha*) are divided into four waves. First, you will face one fighter, then two, then three, then four. If you complete the fourth wave, you proceed on to the next fighter. Your score appears in the upper left portion of the screen, and the time remaining displays in the upper right corner.

## Barracks



- [D]**, **[A]** Press **[D]** to position the cursor over the barracks door, then **[A]**. In the barracks, you can choose **Save this campaign**, **Awaken MISSION**, **View your medals**, **Return to the Bar**, **Exit to MENU** or **Mission Hangar**. Again, to select an option, use **[D]** to position the cursor over that option, then press **[A]**.





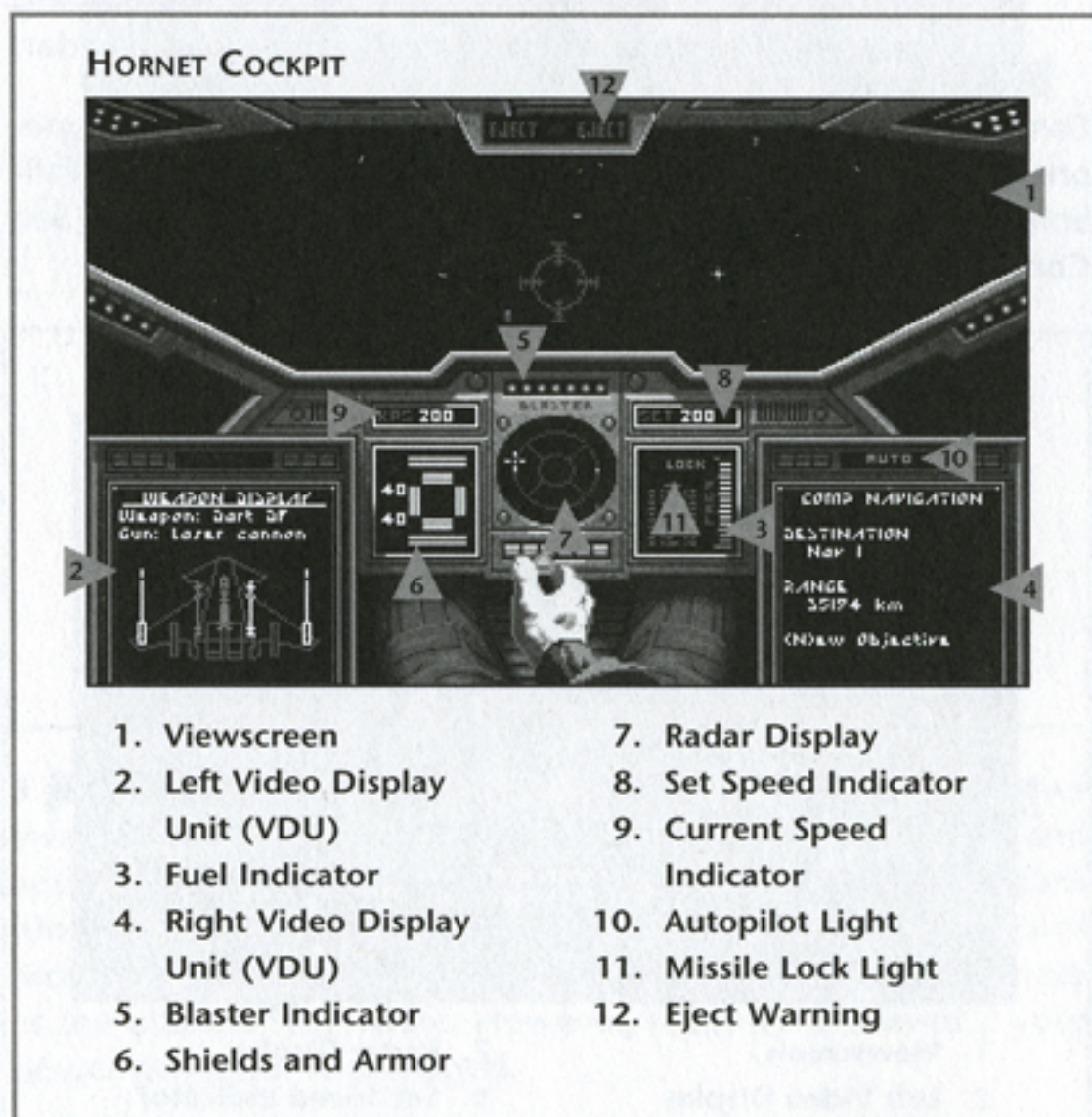


**2. Left Video Display Unit (VDU).** The Left VDU shows a profile of your fighter and the selected gun and missile. Depending on the ship, you have different guns and weapons available. The Left VDU has three functions. Press **[S/A]** to cycle through the screens and **[C]** to cycle through specific options for each screen.

*Active weapon mode.* The top line of green text is bright and shows the active weapon. ("Weapons" include all single-shot munitions that are self-powered.)

*Active gun mode.* The second line of green text turns bright, indicating the active gun. ("Guns" include all multi-fire blasters that draw energy from your ship.)

*Damage mode.* The words "No Internal Damage" appear if your ship has not been damaged. However, if any ship components have been damaged, text will appear that tells you how many systems are damaged and to what extent. You'll also see a profile of your ship with the damaged part highlighted in red.



**3. Fuel Indicator.** This vertical yellow bar shows how much fuel you have and shortens as you use up fuel. Afterburners boost speed dramatically but burn fuel ferociously, so use them sparingly. If you run out of fuel, you can only coast on reserves at a speed of 50 kps.



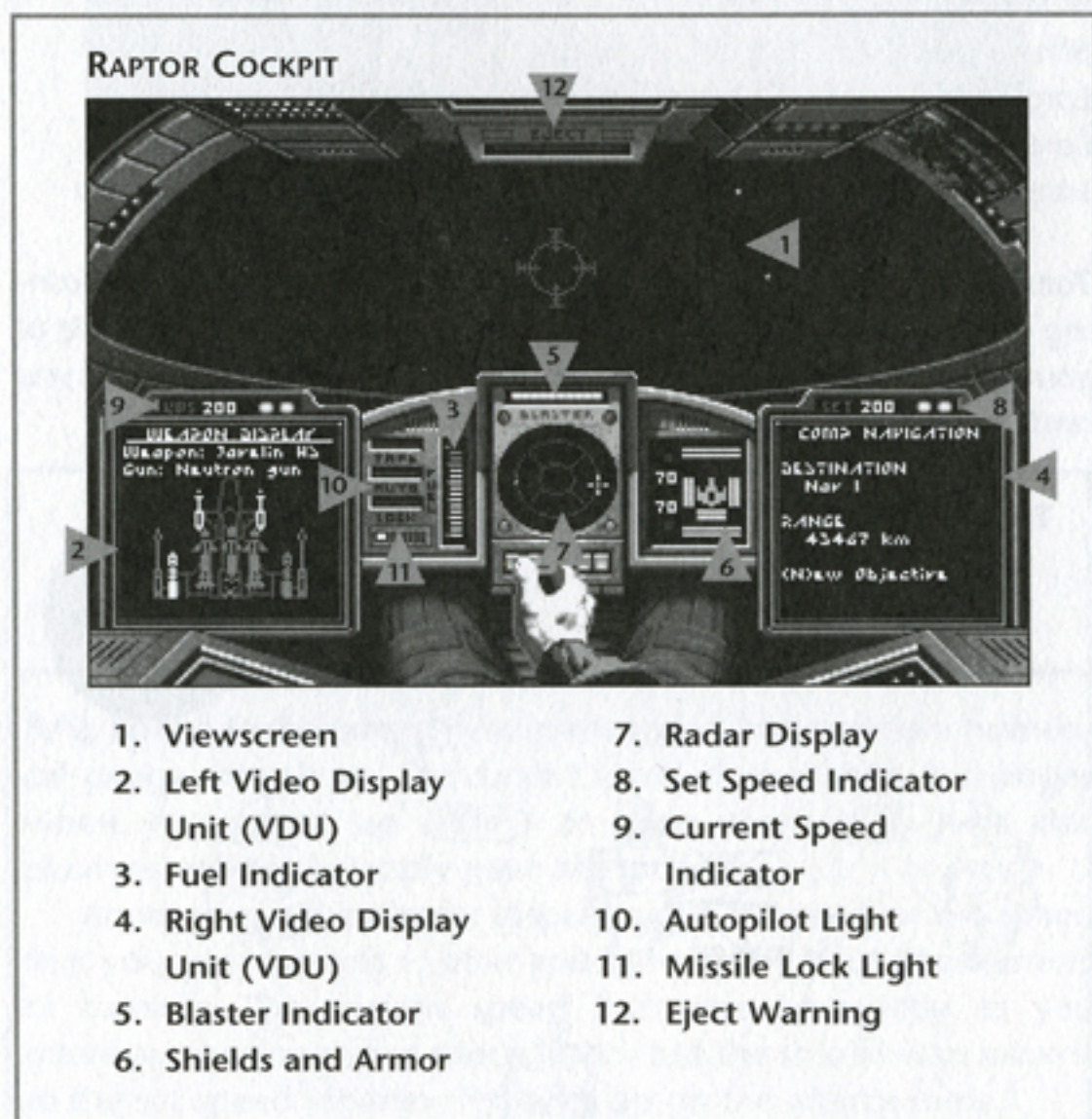




After you bring up the communication screen:

- Ⓒ Cycle through the receivers, then press **[S][B]** to select the underlined receiver.
- Ⓒ Cycle through the messages, then press **[S][B]** to send the underlined message.

*Incoming message mode.* When someone talks to you, that person's profile appears in the Right VDU. After the message is sent, the face disappears and you return to the previous mode.



**5. Blaster Indicator.** The blaster indicator displays the power level of your lasers, mass drivers, and/or neutron guns, and appears as a dotted orange bar. Frequent firing of your guns runs down your blaster power and shortens the bar. Guns recover power gradually, and the blaster bar will grow longer as the blasters regenerate. However, recovery is slowed if your power generator is damaged.

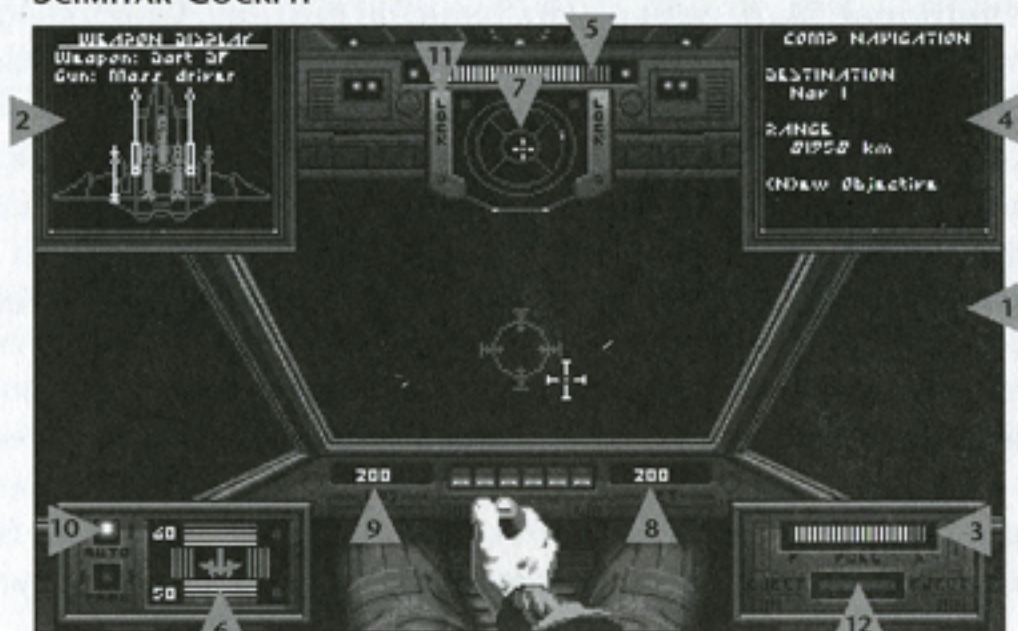
**6. Shields and Armor.** This box contains two sets of colored bars. The blue bars represent shield strength, and the yellow bars indicate armor strength. As your ship is hit, your shields become weakened. Your shield generator recharges your shields. However, once damage pierces through the shields, armor begins taking damage and does not regenerate.







## SCIMITAR COCKPIT



- |                                   |                            |
|-----------------------------------|----------------------------|
| 1. Viewscreen                     | 7. Radar Display           |
| 2. Left Video Display Unit (VDU)  | 8. Set Speed Indicator     |
| 3. Fuel Indicator                 | 9. Current Speed Indicator |
| 4. Right Video Display Unit (VDU) | 10. Autopilot Light        |
| 5. Blaster Indicator              | 11. Missile Lock Light     |
| 6. Shields and Armor              | 12. Eject Warning          |

**8/9. Speed Indicators.** The current speed indicator is a numerical gauge that shows the *current speed* of your ship. It changes when you speed up (**B**↑) or slow down (**B**↓). It also changes when you apply your afterburners.

Another speed indicator displays your *set speed*, or the speed that your ship returns to after you finish using your afterburners or turning. The current speed fluctuates constantly as you maneuver and use your afterburners, but the ship always returns to the set speed whenever you let up on the afterburners.

**10. Autopilot Light.** The autopilot light (AUTO) is located on the instrument panel, although its position varies between ship types. It remains dim if asteroids or enemies are present or if you are already near your destination, but glows orange when it is safe to autopilot.

**11. Missile Lock Light.** The missile lock light (LOCK) is on the instrument panel. If an enemy has a missile lock on your ship, this light flashes bright orange.

**12. Eject Warning.** The eject warning flashes red if your ship sustains heavy damage. The location of the warning light differs between cockpits. When the warning lights up, you must decide how serious the situation is and whether to eject or not. If you eject (**S****B****C**), the Confederation will suffer from the loss of a starfighter, but you will automatically live to fight another day.







**Missile Lock.** Depending on what ship you're flying, you have access to certain missiles. Dumbfire missiles are "point-and-shoot" weapons and do not need a missile lock. Friend-or-Foe (FF) missiles automatically fix on the nearest enemy when you're within firing range. (They may attack friendly ships that are damaged and unable to transmit Confederation signals.)

However, Heat-Seeking (HS) and Image-Recognition (IR) missiles require you to lock onto a heat source. This means you have to approach an enemy ship from the *rear* so that your missiles can lock onto its hot exhaust system. When a locked target comes into view, a red gunsight appears on the screen and drifts toward the flashing brackets. Keep the target in view. When the red sight overlaps the red brackets and begins to flash, you'll hear a missile lock tone. This means you can fire your missile.

- (S)A Cycle through Left VDU modes until you reach your weapon screen.
- (C) Select the appropriate missile.
- (S)C Cycle through Right VDU modes until you reach auto-targeting.
- (C) Cycle through targets.
- (S)B Lock the selected target.

Listen for the missile tone and wait for the red sight to flash. Once the red sight overlaps the gunsight and begins flashing, you can fire your HS or IR missile.

- (A)B Launch the missile. (Note: If the target evades a heat-seeking missile, it will lock onto the nearest heat source — possibly your own ship or another friendly ship!)

**Communications.** This screen lets you send messages to friendly and enemy ships. You can send various orders to your wingman, request landing aboard your carrier or taunt the enemy. (You can only talk to an enemy if he is currently targeted.)

- (S)C Cycle through Right VDU modes until you reach the communication screen. You'll see a list of ships able to receive radio messages.
- (C) Cycle through the list of receivers. (If only one receiver is available, the computer will skip this step and display the list of messages instead.)
- (S)B Accept the underlined receiver. You'll see a list of messages (they vary, depending on what ships are in range).
- (C) Cycle through the messages.
- (S)B Send the underlined message and return to the cockpit.







## CAMERA VIEWS

When you are in flight, you can view the action from several perspectives. You can also turn on a missile camera that follows a launched missile to its target.

- S**↑ or **S**↓ Cycle through external and cockpit views.
- S**← or **S**→ Cycle through port, rear, starboard and cockpit views.
- S****A****B** Toggle missile camera on/off. (Note that you only need to turn this on once, no matter how many missiles you fire. However, the missile camera is only active while a missile is in flight.)
- C** or **S** Return to cockpit view.

## LANDING

Once you complete your mission, head back to *Tiger's Claw* using the autopilot function (**B****C**). When you are ready to land, target the *Claw* (see **Autotargeting**). Use the Communications screen (see **Communications**) to signal the ship's traffic control officer and request permission to land. You *cannot* land if enemy vessels are near the *Tiger's Claw* or if you haven't fulfilled at least one of the following requirements:

- a) traveled to any Nav point
- b) achieved at least one mission objective
- c) killed at least one enemy ship
- d) taken heavy damage

After you receive permission to land, fly around the *Tiger's Claw* until you see a light-gray landing hangar. Steer toward it and let the automatic landing system take over. Upon landing, you can see how much damage your ship has sustained. Then, you go to a debriefing, where Colonel Halcyon evaluates your performance and notable achievements.

## GENERAL TIPS

Here are a few general tips to aid you in dogfighting:

- You can't autopilot out of an area until the enemy is at least 10,000 clicks away from you.
- Use your radio to order your wingman to attack a target on which you're locked. This will allow you to select another target to attack.
- If you've given your wingman an important task, you can toggle between enemy targets and taunt them. This will usually draw them away from your wingman.



## YOUR FIRST MISSION

Now that you're familiar with the ship, instruments and in-flight systems, let's work through the first mission together. After the game loads, you'll find yourself in the *Tiger's Claw* lounge. Follow these steps to launch into your first mission:

**Preparing to Launch.** Before you launch, you'll need to meet a couple of pilots and get to know the *Tiger's Claw*.

- **Talk to Angel and Talk to Paladin.**

- ◻ D Press ◻ D to position the cursor over Angel or Paladin.
- ◻ A Press ◻ A to talk to that person.

Both pilots give you hints that will aid you in fighting the *Dralthi* and *Salthi* ships you'll face in your first mission. (Shotglass will also be a good source of information in future missions; he can tell you how all the other pilots fly.)

- Next, **Enter Barracks.**

- ◻ D Press ◻ D to position the cursor over the barracks door.
- ◻ A Press ◻ A to enter barracks.

- Then, enter the **Mission Hangar** (the door to the far right).

- ◻ D Press ◻ D to position the cursor over the mission hangar door.
- ◻ A Press ◻ A enter the mission hangar.

You'll attend the mission briefing, where you find out that the *Tiger's Claw* dropped from jumpspace at 0800 hours. As members of the *Killer Bee* squadron, you and Spirit fly an alpha wing patrol around three navigational points in Enyo System. There's no need to write down the nav information; it's automatically programmed into your onboard computer. After you're dismissed from the briefing, you'll go through the launch sequence.

Finally, you'll find yourself away from the *Tiger's Claw*, in the cockpit. Look at your radar and notice that your wingman appears as a blue dot and the *Tiger's Claw* shows up as a large white dot. The white cross indicates your next navigational point.

- Study your navigational map.

- ◻ S ◻ C Cycle through Right VDU modes until you access your nav screen.



- [S][B] Open your full-screen navigational map.  
(This pauses play.)

When you open this screen, it shows the currently selected Nav point in yellow letters and your position as a flashing white dot. Notes on the right side of the screen identify the objective for each Nav point.

- [C] Cycle between navigational points. (Make sure you return to "Nav 1" before performing the next step.)
  - [A] or [S] Resume play and return to cockpit view.
- Autopilot toward the first Nav point.
- [B][C] Engage autopilot.

**On the way to Nav 1.** During your journey to the first Nav point, Spirit warns you of enemy ships ahead. You will see three Kilrathi *Dralthi*. Here are a few tips to aid you in your first fight:

- Order Spirit to break and attack.
  - [S][C] Cycle through Right VDU modes until you reach the communication screen. A list of ships will appear. (Note: If an enemy ship isn't targeted, Spirit will be the only available receiver. The computer will then display a list of messages instead.)
  - [C] Press until *Spirit* is underlined in the Right VDU (this selects Spirit's ship).
  - [S][B] Press to display a list of messages.
  - [C] Press until *Break and Attack* is underlined.
  - [S][B] Send the message.
- Bring one of the *Dralthi* into view and use your Dumbfire missiles. Try to tail the *Dralthi* and use your Dumbfire missiles at close range. Two missile hits or seven direct laser hits should be enough to down one of these ships.
  - [D] Maneuver until you have an enemy ship in your viewscreen.
  - [S][A] Cycle through Left VDU modes until you reach your weapons screen. (If you haven't chosen a different type of missile, you will not need to access the weapons screen. The Dumbfire is already selected.)
  - [C] Cycle through the available missiles until *DF* displays.
  - [A][B] Launch the missile (you have two of this type) when the enemy is lined up with your green gunsight.
- After you finish off these enemies, finish autopiloting to the first waypoint.
  - [B][C] Autopilot to the first Nav point.

**Nav 1.** Here, you'll find yourself flying straight into the asteroid



field that Colonel Halcyon warned you about. Use these tips to navigate through them:

- Set your speed between 250 and 300 kilometers per second (kps).

**[B]↑** Speed up or

**[B]↓** Slow down.

Do *not* use your afterburners in the asteroid field! The last thing you want to do is increase your speed. The numerical display above the Left VDU shows your *current speed*; the one above the Right VDU shows your *set speed*.

- Roll your ship — frequent maneuvering will help keep you out of danger's way.

**[B]←** Roll the ship to the left.

**[B]→** Roll the ship to the right.

- Position the navigational cross on one side of your viewscreen. After a few moments, position the nav cross on the opposite side of your viewscreen. This will help you avoid some of the asteroids.

- If you can't evade an asteroid, you can shoot it with your laser.

**[A]** Fire your laser.

- After you're through the asteroids, autopilot to Nav 2.

**[B][C]** Autopilot to the second Nav point.

**Nav 2.** On the next leg of your patrol, you and Spirit find two fast-flying *Salthi* fighters. *Salthi* always break to the left when you're behind them and tend to "flip" less often if you stay on their tail. When you engage them, use these tips:

- Use your afterburners for short bursts of speed. After you pull away from your opponent, turn 180 degrees and fight the *Salthi* head-on.

**[B] x 2** Press two times in succession to apply an afterburner burst. (If you keep **[B]** depressed the second time, the afterburners will remain engaged until you release the button.)

- Once you damage the front end of a *Salthi*, lock onto the ship and select your Heat-Seeking missiles.

**[S][A]** Cycle through Left VDU modes until you reach the weapons screen.

**[C]** Press until you see *HS* (Heat-Seeking missiles).



- **[S][C]** Cycle through Right VDU modes until you reach auto-targeting.
- **[C]** Cycle through the targets in your viewscreen. (Notice that your automatic targeting system places red brackets around one of the enemy ships in view.)
- **[S][B]** Apply missile lock to the target. The red brackets and the red dot on your radar will begin flashing.
- When the locked target comes into view, a red gunsight appears on the screen and begins to drift toward the flashing brackets. As the red sight moves over the red brackets and begins to flash, you'll hear a missile lock tone. This means you can fire your missile.
  - **[B]** Launch the missile.
- After destroying these targets, autopilot to Nav 3
  - **[B][C]** Engage autopilot.

**Return to the *Tiger's Claw*.** Halfway home, you'll run into a small asteroid field. Once again, navigate through them at a speed between 250 and 300 kps. Then, continue your flight back to the *Tiger's Claw*.

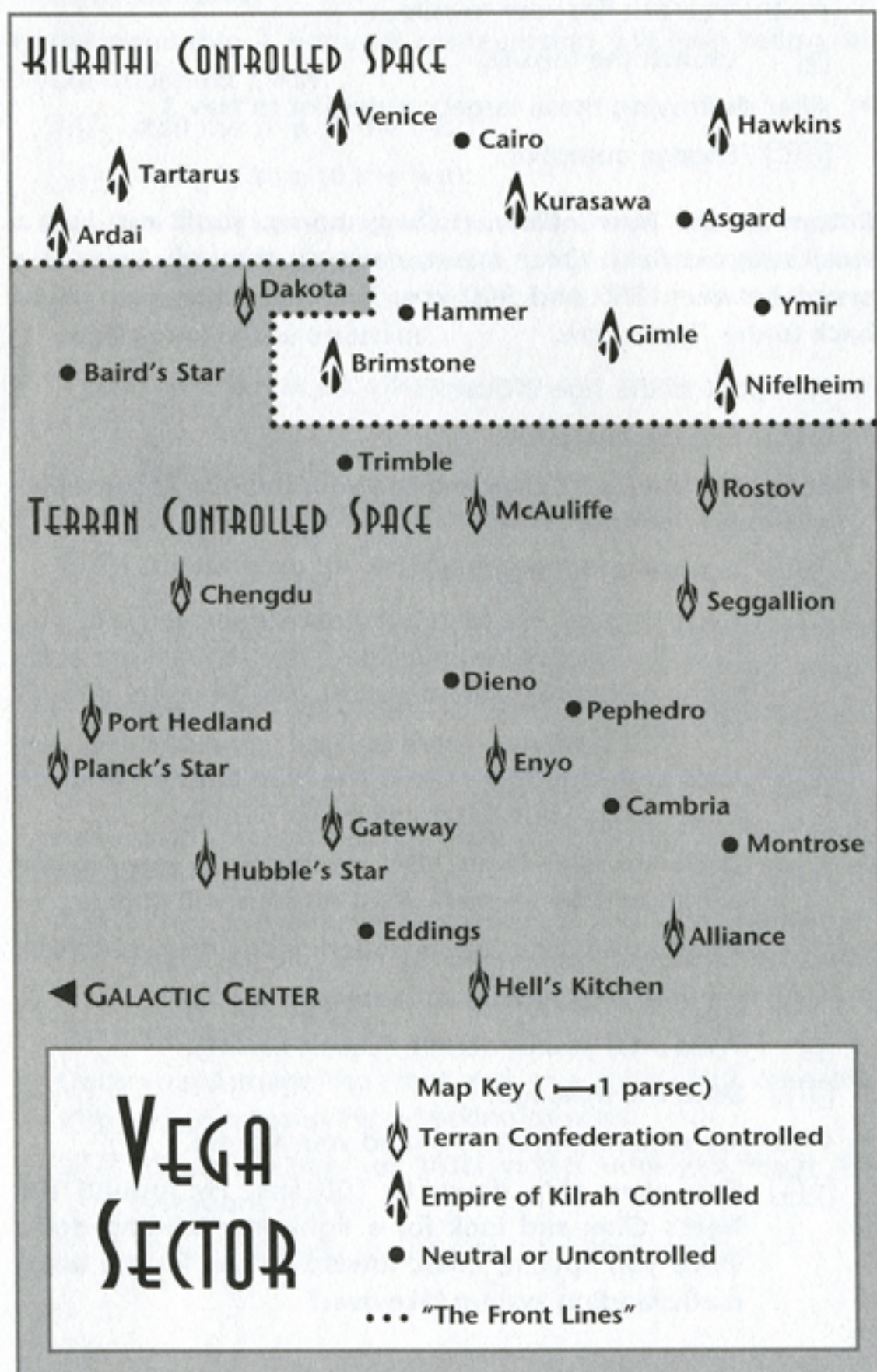
- Autopilot to the *Tiger's Claw*.
  - **[B][C]** Engage autopilot.
- Lock onto the *Tiger's Claw* and use your radio to request permission to land.
  - **[S][C]** Activate autotargeting.
  - **[C]** Cycle through the targets in your viewscreen until you have the *Tiger's Claw* bracketed. Notice that your automatic targeting system places *blue* brackets around the carrier.
  - **[S][B]** Lock onto the *Tiger's Claw*. The blue brackets and the blue dot on your radar will begin flashing.
  - **[S][C]** Cycle through Right VDU modes until you see the communication screen. A list of ships will appear.
  - **[C]** Press until *Tiger's Claw* is underlined in the Right VDU.
  - **[S][B]** Press to display a list of messages.
  - **[C]** Press until you underline *Request landing*.
  - **[S][B]** Send the message.
- Once you receive permission, land your fighter.
  - **[B][↓]** Slow your ship down to 100 kps. Fly around the *Tiger's Claw* and look for a light-gray landing dock. Once you spot it, coast toward it and let the automatic landing system take over!



## THE CAMPAIGN

Each campaign has its own plot and conclusion. Each series of missions you fly — and whether or not you're victorious — affects the Confederation's chances for ultimate victory in Vega Sector.

After several missions, you'll be presented with Campaign Progress Screens and story updates that describe what's happening in the war. Do badly, and the forces of the Terran Confederation take a beating. Do well, and Terran forces prevail. Do *very* well, and you may be responsible for Confederation victory in Vega Sector.





# CLAWMARKS



ONBOARD MAGAZINE

TCS TIGER'S CLAW

VOLUME 1 No. 4

2654.110



# TABLE OF CONTENTS

## NOW HEAR THIS:

- WORDS FROM THE EDITOR ..... 23
- COMM RELAY ..... 24
- TAGGART'S TACTICS ..... 28
- JOAN'S FIGHTING SPACECRAFT  
(VEGA SECTOR SUPPLEMENT) ..... 39
- TERRAN AND KILRATHI WEAPONS ..... 48
- COMRADE CLIPS ..... 50
- KNOW YOUR ENEMY ..... 58
- NEW ON THE FLIGHT DECK ..... 63
- UP AND COMING ..... 63

### PUBLISHER:

*Col. Christopher Roberts*

### EDITOR-IN-CHIEF:

*Maj. Warren Spector*

### EDITORS:

*Cpt. Aaron Allston  
2nd Lt. Tuesday Frase*

### PRODUCTION MNGR:

*Cpt. Mike Harrison*

ClawMarks is the onboard magazine of the TCS Tiger's Claw. It is produced monthly (Terran calendar) in hard copy and E-File editions. E-File Editions are free to all crewmen aboard the Tiger's Claw: hard copy subscriptions available by special arrangement.

The E-File edition of this issue is available from the ship's library as >>Periodicals>>Armed Forces>>ClawMarks>>4/2654.

©1990-1994 ORIGIN Systems, Inc. Wing Commander, Origin and We Create Worlds are registered trademark of ORIGIN Systems, Inc. Electronic Arts is a registered trademark of Electronic Arts.



## NOW HEAR THIS:

## WORDS FROM THE EDITOR

Space is a near-vacuum, as all good Academy graduates and most two-year-old children know. And, if you ask, "When I drop a pebble into space like I do into a pool of water, will it cause ripples?" you'll get some strange looks from everyone.

Nevertheless, someone dropped a pebble in space not too long ago, and we're still encountering the ripples.

Last month, two very good pilots (Lieutenant Larry Dibbles and Captain R.A. Skinner) went out on a routine mission and didn't come back. Here in Vega Sector, it happens all the time. You sit for a while; you look at your pal's empty bunk; you think about where he's gone and hope you won't soon follow his lead. Then, it's back to work.

Yes, it happens all the time. But it's been happening a *lot* lately — not just routine casualties, but casualties caused by sloppiness, over-eagerness and a variety of other fatal diseases. The ship's statistical resources show that avoidable casualties are up 5% over this time last year ... and are up 9% over expected optimum performance. So, we're seeing ripples.

*Here's one ripple:* Two pilots are gone and won't be back.

*Another:* This issue, we've asked one of the ship's most experienced pilots, Major James Taggart (a.k.a. Paladin on the flight-line), to talk about the Basics: Basic tactics, goals and maneuvers.

Even if you're sure you know the Basics, read what he has to say. Remember, Paladin is still going strong after twenty-plus years as a combat jockey. And, even if he doesn't wear his Ace of Aces ribbon, it's still there.

*Another:* You won't be seeing the *Hornet's Nest* from this point on. The strange and silly adventures of the TCS *Hornet's Nest* — a carrier that bore an unfortunate and unmistakable resemblance to the *Tiger's Claw* — were the product of an artist and pilot who went by the moniker of Tooner. We like to remember Tooner as having a deft wit and a diseased mind, but all we can do *is* remember him. He was also known as Lieutenant Larry Dibbles. R.I.P.

Also in this issue, we have the latest Vega Sector update from *Joan's Fighting Spacecraft*, including the most up-to-date data on the Kilrathi ships we're facing; an excerpt from Borger's new survey of Terran and Kilrathi weapons systems; and our usual assortment of news, facts, trivia and profiles. Enjoy them ... but think about them.







## ROOKIE TURNED ACE

This past week, the *Tiger's Claw* was fortunate enough to add another ace to its Confederation ranks. Second Lieutenant Todd "Maniac" Marshall knocked down his fifth Kilrathi in an engagement near Kurasawa System, where he and his wing-leader, Captain Jeannette "Angel" Devereaux, were escorting a cargo ship.

While passing through an asteroid belt, the two pilots encountered a wave of five *Dralthi* fighters. Devereaux downed the first with a volley of mass driver cannon, while Maniac broke formation and nailed the second enemy fighter with a heat-seeking missile. The Kilrathi, amazingly enough, began to retreat when Maniac radioed that he was chasing them down. He managed to destroy one more ship, reaching ace status three missions after graduating from the Academy.

"No way I was going to pass up *that* opportunity," exclaimed Maniac upon his return. "There they were, sitting ducks just waiting to face the best pilot on the *Tiger's Claw*. I knew ol' Devereaux could take care of the *Bonnie Heather*, so I hit my afterburners and took care of *them*. I guess they got what they deserved!" added Marshall.

Devereaux refused to comment on Marshall's success, calling his chase "a ridiculous misuse of Confederation firepower."

## ALL ABOARD, AUSTINITES

Don't be alarmed if you notice a couple of uniformed strangers amidst the *Tiger's Claw* crew. For the next two weeks, we're entertaining two important visitors from the TCS *Austin*, our sister carrier assigned to a first-response patrol in Enigma sector. Major Zach "Jazz" Colson and Captain Etienne "Doomsday" Montclair arrived late last week to meet with our Tactical Plotting group and discuss air defense procedures.

Rumor has it that the Confederation is laying out a defense plan for an anticipated attack on McAuliffe, a teaching and research colony housed in an orbital space station and a ground-based research facility. The vast libraries on McAuliffe are under top security, and Terran Intelligence suspects that the Kilrathi will try to gain access to its Terran Knowledge Bank (TKB) within the next few weeks.

Although details of the upcoming objectives remain classified, I took the liberty of interviewing the two men between their meetings with Colonel Halcyon. Here's a short profile of each:







## DOOM AND GLOOM



NAME: ETIENNE MONTCLAIR

CALLSIGN: DOOMSDAY

RANK: CAPTAIN

AGE: 34

ORIGIN: HAWK BAY,  
NEW ZEALAND

Captain Montclair calls himself a “devil’s advocate” because he always tries to view things from the worst-case scenario. “That way,” he says, “I’m never disappointed. And if I’m wrong about something, it turns out better than I expected.” Always anticipating disastrous results, he accurately bears the callsign *Doomsday*.

“I grew up with pride and prejudice — literally speaking, not *literaturely*,” explains Montclair. “My training in the history of Maori warriors taught me not to expect much from the world and the people around me. Instead, I’ve learned to take pride in my flying and trust my own instincts.

“The reason I fly with Jazz isn’t that big of a secret. Admiral Tolwyn feels he’s doing me some kind of favor by pairing me with such an upbeat showoff,” sighs Doomsday. “I like Jazz — he’s a good pilot and all — but I’d still rather fly patrol missions in a safe sector somewhere. I’m never going to see forty if these Kilrathi keep jumping our nav points.”

According to Doomsday, this war’s going to drag on forever. Of course, he says the Confederation will pull through, but not before thousands of Terrans sacrifice their lives and colonies to the Kilrathi. Despite his brand of pessimism, Montclair has racked up an impressive count of 187 successful missions and 21 kills.

CAPTAIN ETIENNE MONTCLAIR, *DOOMSDAY*







## THE TRUTH FROM THE BLACK BOX

A month ago, Captain Skinner and Lieutenant Dibbles went out as part of a strike team assigned to destroy the *Ralari*-class destroyer *Rathtak*. They launched from the *Tiger's Claw* at 2300 hours. At 2321 hours, the carrier bridge caught static-laced transmissions from Skinner to Dibbles, ordering him back into position. These were the last messages from either man. Ever.

Follow-up crews were eventually able to recover the remains of Skinner's flight recorder and reconstruct what happened from its record of radar images.

The real scenario unfolded exactly like our hypothetical situation above. Mule-Skinner ordered his partner back into position. Either presuming that Tooner would immediately turn back, or just unwilling to delay his mission because of a flaky wingman, Skinner pressed on toward the objective. Tooner did not immediately turn back, probably planning one last strafing run before rejoining his wingleader. Unfortunately, the painful truth was that neither *Jalthi*-class fighter was damaged.

When Lieutenant Dibbles came within a reasonable assault distance of his target, it abruptly rolled out in controlled flight and engaged him. Simultaneously, the "dead" Kilrathi fighter powered up, and moved into position behind Captain Skinner.

To Lieutenant Dibbles' credit, he was able to hold off his opponent for a while. But while he was dogfighting with one Kilrathi, the other was destroying his wingleader. Skinner's flight recorder blacks out with the radar showing Dibbles still in desperate combat with his opponent.

Even without the benefit of Dibbles' unrecovered flight recorder, it doesn't take much creativity to reconstruct what happened next. The second *Jalthi* moved in to engage Dibbles. Between the two of them, they easily shot Dibbles down.

"Sometimes you've got to throw the book away." I hear this form pilots both young and old ... and sometimes, maybe, it's true. But in this case? No. Dibbles didn't have to throw the book away. He wanted a kill, another bright spot on his personal record. To obtain it, he endangered his wingleader and mission objective. What were the results of this decision? We lost two pilots with several years' worth of combat experience.

Colonel Halcyon had to write the appropriate letters of condolence. The remaining elements of the strike mission damaged, but did not finish off, the destroyer objective. While it is not conclusive that the presence of two additional *Scimitars* would have resulted in *Rathtak's* destruction, it was at least a possibility. Last of all, this error cost the *Tiger's Claw* a great morale-booster: Dibbles was the writer and artist behind *Hornet's Nest*, the wonderful comic strip that has appeared in every issue of *Claw Marks* for the last two years.

The "book" you're trained to go by was written for a reason. It's a good book, one worth following. It's worth reviewing now.







especially critical. The wingleader must get his missiles placed, and the wingman must keep him or her alive to do so, even at the cost of his personal objectives. He or she must take out oncoming fighters and only drop missiles if a clear opportunity arises that doesn't endanger the wingleader.

## FIRST CONTACT

When you first encounter a flight of enemy fighters, they will almost always be flying in formation. Once initial contact has been made, they will break formation into pairs at roughly four-second intervals. Generally, you should likewise break formation to match and engage them. All of this leads to the question of what to do once you've engaged the Kilrathi. The book has something to say about that, as we discuss immediately below.

## STANDARD MANEUVERS

Twenty years of fighting the Kilrathi have shown us some basic maneuvering tactics that improve the rate of survival. Until your personal flying instincts give you a tactic for every situation, go with the "by the book" maneuvers. You'll have a better chance of making it home in one piece. All the book can do is tip the odds a bit in your favor, but the record shows that this slight improvement is worth the embarrassment you may feel about doing something the way you were taught at the Academy.

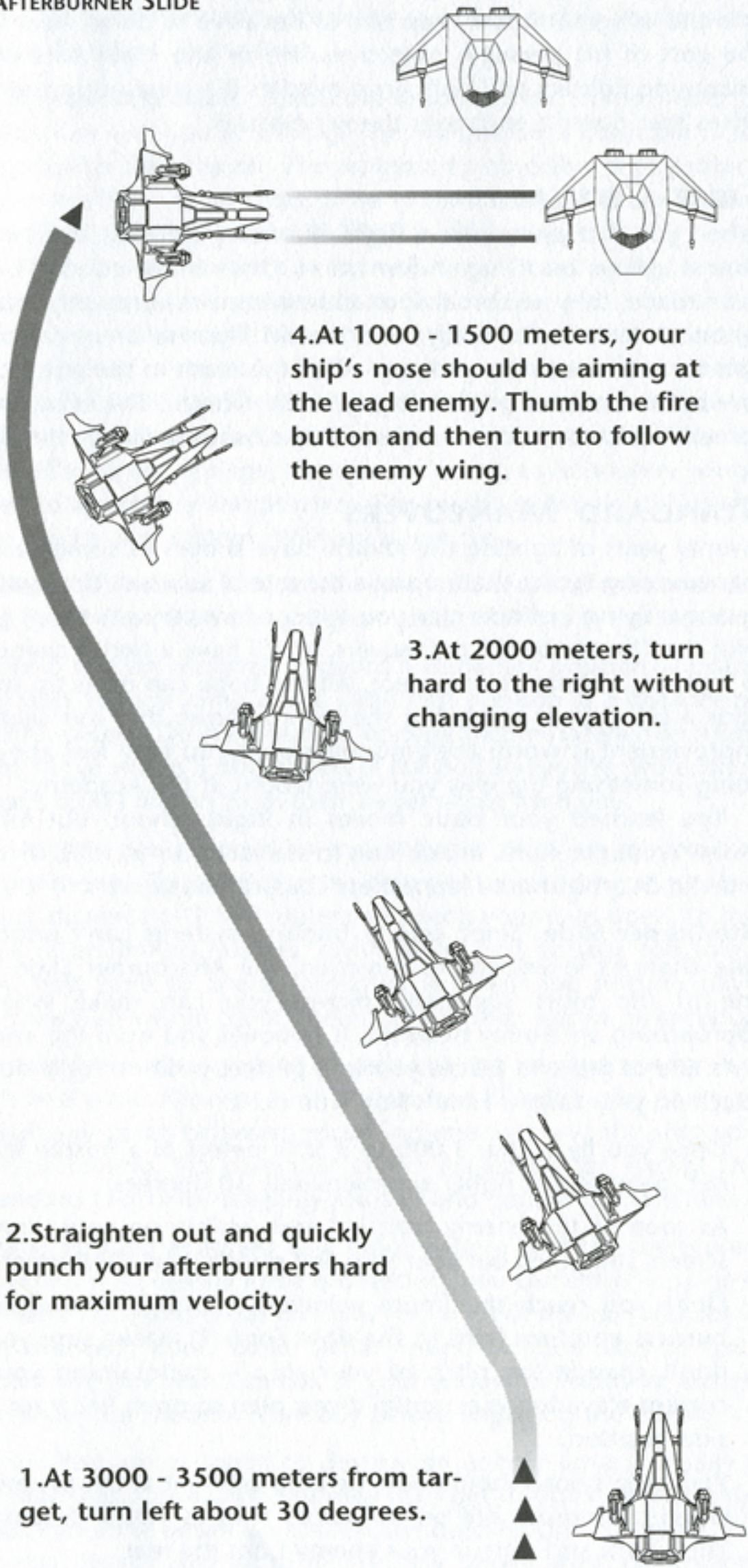
You learned your basic moves in flight school, but let's review a couple here. In addition to standard turns, rolls, dives and climbs, you should learn these tactical maneuvers:

**Afterburner Slide.** Since enemy tracking systems can't anticipate changes in velocity or direction, the Afterburner Slide is one of the most successful moves you can make when approaching an enemy head-on. It removes you from the enemy's line of fire and places you in a perfect position for a side attack on your target. Here's how you do it:

- Once you fly within 3,000 to 3,500 meters of a hostile target, bear left (or right) approximately 30 degrees.
- As soon as the enemy craft is barely visible on your view-screen, straighten out your ship and punch your afterburners.
- Once you reach maximum velocity, let up on the afterburners and turn hard to the right (or left). Make sure you don't change the pitch of your ship — maintaining your current elevation is essential if you plan to open fire from a side position.
- Your ship's nose should now be pointed right at the enemy. Open continuous fire on the target ship as you slide past. Then, turn and pursue your enemy from the rear.



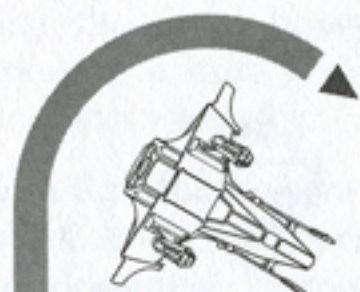
## AFTERBURNER SLIDE



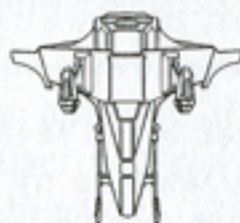


**Burnout.** Sometimes your opponent can maneuver just as well as you can and stay on your tail. In this case, you might try an alternate attack to evade your enemy — the Burnout. You can use this attack to put distance between your ship and your opponent's:

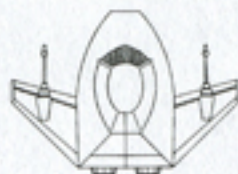
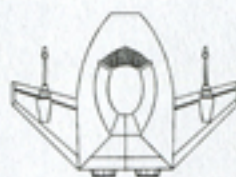
- Hit the afterburners full force until you reach maximum speed and begin to pull away from your opponent.
- Now, let up on the afterburners and perform a tight 180-degree turn. (Don't change your throttle setting). This maneuver will position you for a head-on shot at the enemy.
- It won't take long for your enemy to reach you once you reverse direction. When the target moves within your cone of fire, open up with your cannon or lasers.

**BURNOUT**

**2. Let up on the afterburners and turn tightly 180 degrees. (Don't change your throttle setting.) This will set you up for a head-on shot at the enemy.**



**1. Hit the afterburners hard until you begin to pull away from your opponent.**









## COMMON STRATEGIES

With that review of maneuvers fresh in our minds, let's review strategies for specific situations. Yes, aggressive tactics will let you rack up the kills, but quick thinking will keep you alive so that you *can* rack up the kills.

**You're being tailed by an enemy.** Here's the situation: You have an enemy to your rear and you're in his sights. What now?

If you have a critical target in your sights and you know that your pursuer's guns are not going to crack your shell with one hit, then it's permissible (barely) for you to take that hit, drop your load and then come around to deal with your attacker. In any case, don't do this unless you're within 2,500 meters of your target.

If you don't have that critical target in your sights, or you don't know that you can take a direct hit, then evade. Evading involves a pretty complicated series of decisions you have to learn to make by reflex. If your pursuer has better maneuverability than you but you have superior acceleration, try a Burnout or a Hard Brake and prepare to be very accurate with your ship's weapons.

**You're fighting a more maneuverable opponent.** Many times, you'll find yourself facing quick, agile Kilrathi ships, such as *Salthi* or *Dralthi*. In this case, accelerate to maximum throttle speed and apply head-on Afterburner Slides until you've eliminated all but one of the fighters. Then, resort to a Cutthroat and attack your enemy as he lines up for a shot.

If your pursuer has better maneuverability *and* better acceleration (a *Salthi*, for example), then you have a problem. If you want to make it a slugging match, try a Burnout. If you're already hurt, try any sort of evasive maneuver you can — hard turns and rolls in a succession of different directions. Last of all, pray, because you're going to need some divine intervention.

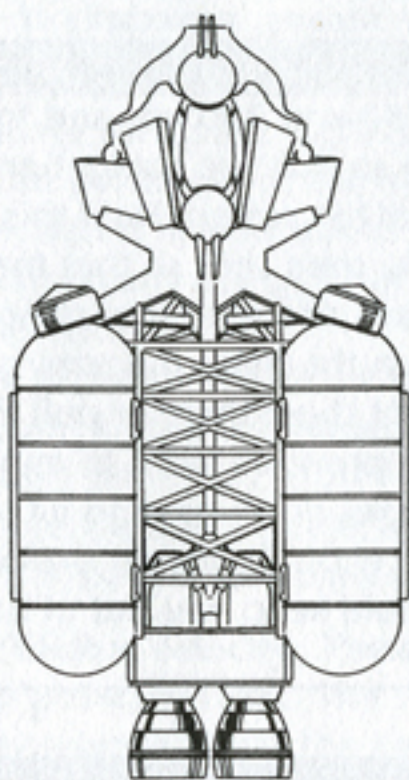








## ATTACKING A CAPITAL SHIP



5. Hit  
Afterburners



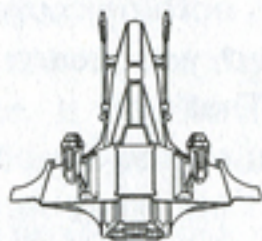
4. 1000 meters  
turn left or right

5. Hit  
Afterburners



3. Gun barrage from 1500  
to 1000 meters

2. Launch missiles before  
2000 meters



1. Begin approach beyond 4000 meters







# JOAN'S FIGHTING SPACECRAFT

## VEGA SECTOR SUPPLEMENT FOR 2654.092

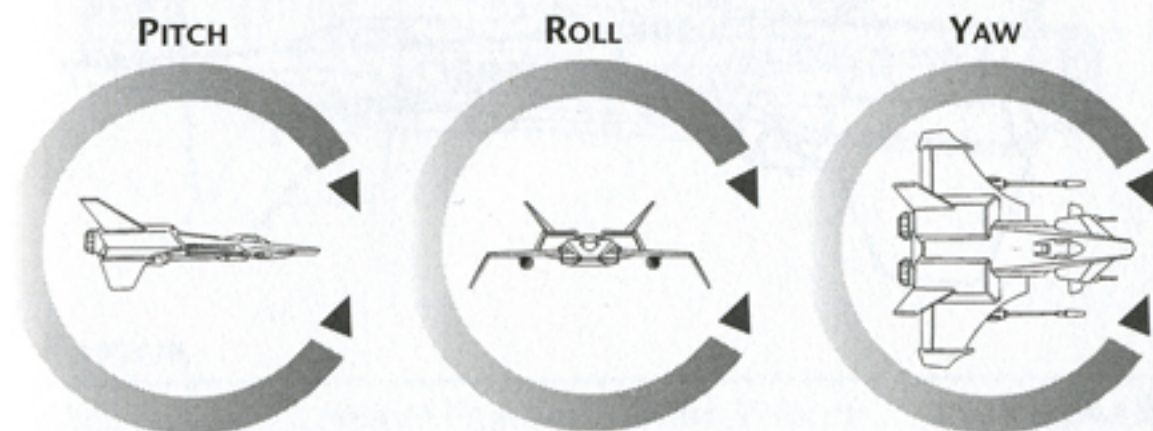
This is the latest update for Joan's fighting spacecraft, specifically revised for Terran personnel in the Vega Sector. This supplement contains the latest specifications on both Terran and Kilrathi spacecraft, particularly the types of craft most commonly encountered in this sector.

All servicemen are urged to familiarize themselves with these specifications. Computer files of this material are available in the ship's library, under >>REFERENCE>>TECHNICAL>>HARDWARE>>JOANS>>. Here's a quick guide for those of you unfamiliar with the Joan's system of evaluation:

**Maximum Velocity/Cruise Velocity.** These are the settings to which a ship's speed governor is set. The ship's computer automatically sets velocity relative to (a) the flagship, (b) an escorted vessel, (c) a nearby planetary body, (d) a Confederation beacon or (e) a value derived from radar positions of all visible ships. The velocity is expressed in clicks per second (kps).

**Acceleration.** This shows Joan's evaluation of the ship's acceleration rate, described as Bad, Poor, Average, Good or Excellent.

**Maximum Pitch, Roll and Yaw.** These characteristics are expressed in degrees per second (dps). Here's a brief review on maneuvering vectors:



*Pitch.* Ability of a ship to change direction up or down.

*Roll.* Ability of a ship to rotate along an imaginary axis extending through the nose and tail.

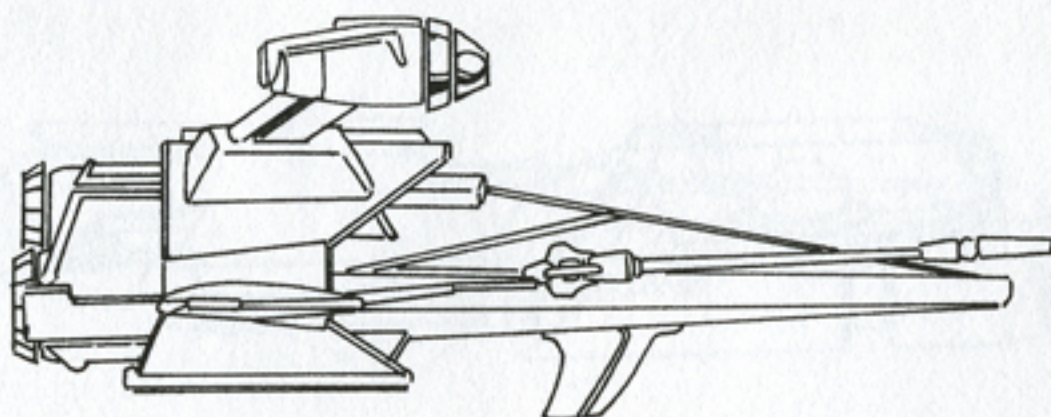
*Yaw.* Ability of a ship to turn to the right or left without changing its vertical orientation. It is generally more efficient to turn using both pitch and roll to than to turn purely through yaw.

**Ship's Armor.** Joan's evaluation of a ship's defensive armor is expressed in centimeters thickness of Durasteel. Fore and Aft Shield values are given in values equivalent to centimeters thickness of Durasteel. The higher the number, the more effective the armor.







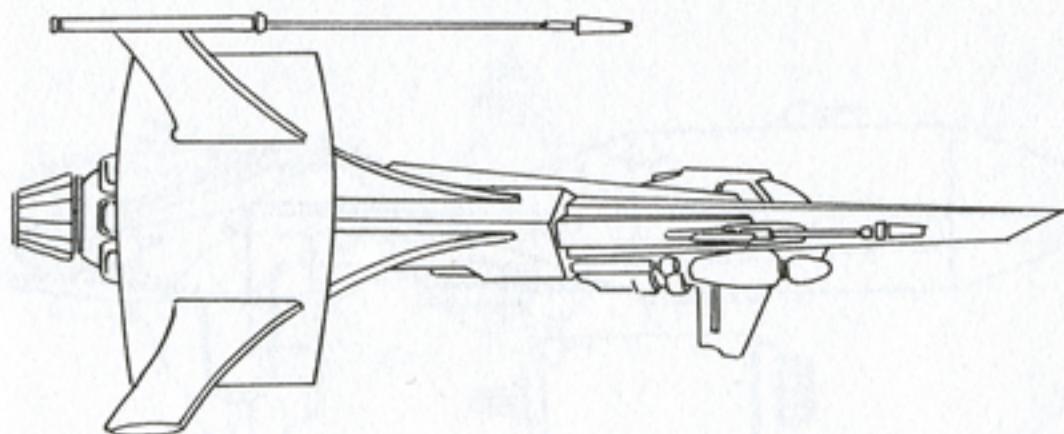


## SCIMITAR

---

<i>Class</i> .....	Medium Fighter	<i>Cruise Velocity</i> .....	150 kps
<i>Length</i> .....	25 meters	<i>Acceleration</i> .....	Good
<i>Mass</i> .....	16 tonnes	<i>Max. YPR</i> .....	6/6/7 dps
<i>Max. Velocity</i> ....	360 kps		
<i>Weapons</i> .....	Mass Driver Cannon (2) Dumb-Fire Missiles (2) Heat-Seeking Missiles (3)		
<i>Armor</i> .....	Fore and Aft Shields ...4 cm equivalent each Front and Rear.....6 cm each Right and Left.....5 cm each		

---



## RAPTOR

---

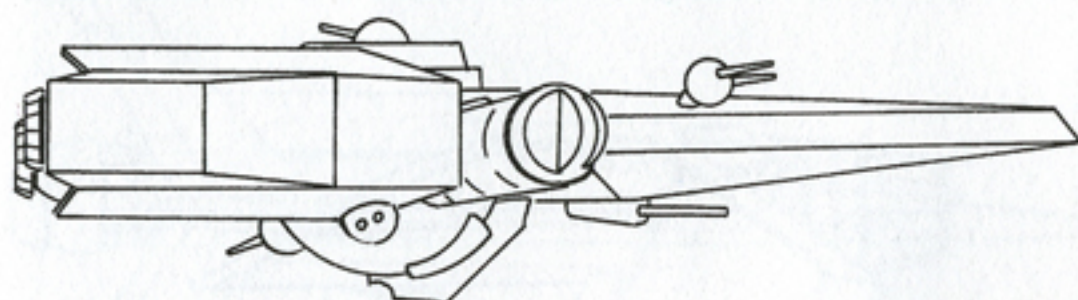
<i>Class</i> .....	Heavy Fighter	<i>Cruise Velocity</i> .....	250 kps
<i>Length</i> .....	36 meters	<i>Acceleration</i> .....	Good
<i>Mass</i> .....	20 tonnes	<i>Max. YPR</i> .....	6/5/6 dps
<i>Max. Velocity</i> ....	400 kps		
<i>Weapons</i> .....	Mass Driver Cannon (2) Neutron Guns (2) Heat-Seeking Missiles (2) Image-Recognition Missiles (2) Friend-or-Foe Missile (1) Porcupine Mine (1)		
<i>Armor</i> .....	Fore and Aft Shields ...7 cm equivalent each Front and Rear.....8 cm each Right and Left.....6 cm each		

---







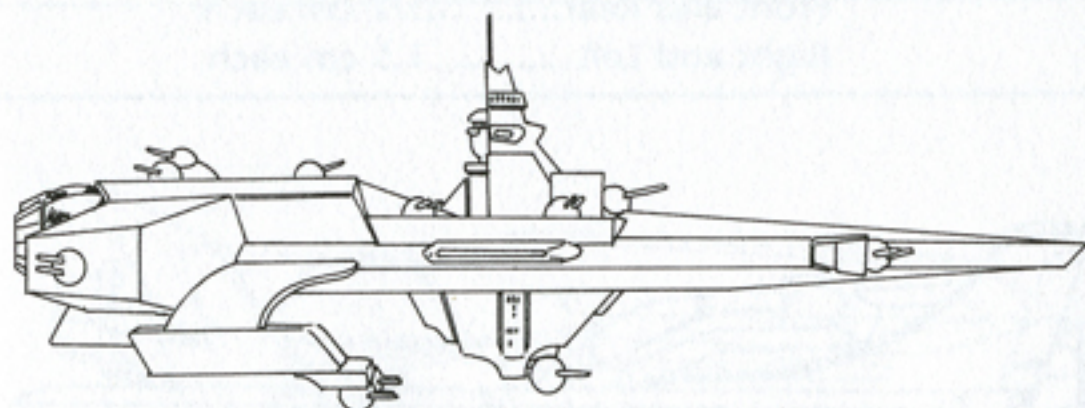


## EXETER

---

<i>Class</i> .....	Destroyer	<i>Cruise Velocity</i> .....	100 kps
<i>Length</i> .....	360 meters	<i>Acceleration</i> .....	Poor
<i>Mass</i> .....	8,000 tonnes	<i>Max. YPR</i> .....	2 dps
<i>Max. Velocity</i> ....	150 kps		
<i>Weapons</i> .....	Image-Recognition Missile (1) Turreted Lasers (4)		
<i>Armor</i> .....	Fore and Aft Shields ...25 cm equivalent each Front and Rear.....22/20 cm each Right and Left.....20 cm each		

---



## TIGER'S CLAW

---

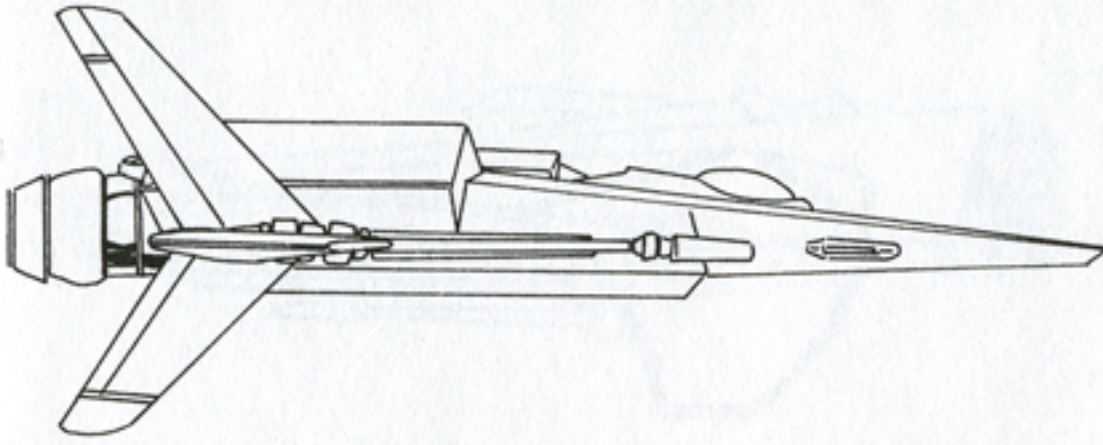
<i>Class</i> .....	Bengal Strike Carrier		
<i>Length</i> .....	700 meters	<i>Acceleration</i> .....	Poor
<i>Mass</i> .....	80,000 tonnes	<i>Max. YPR</i> .....	1 dps
<i>Max. Velocity</i> ....	130 kps	<i>Fighter Complement</i> ...	104
<i>Weapons</i> .....	Turreted Lasers (8)		
<i>Armor</i> .....	Fore and Aft Shields ...21 cm equivalent each Front and Rear.....24/20 cm each Right and Left.....25 cm each		

---







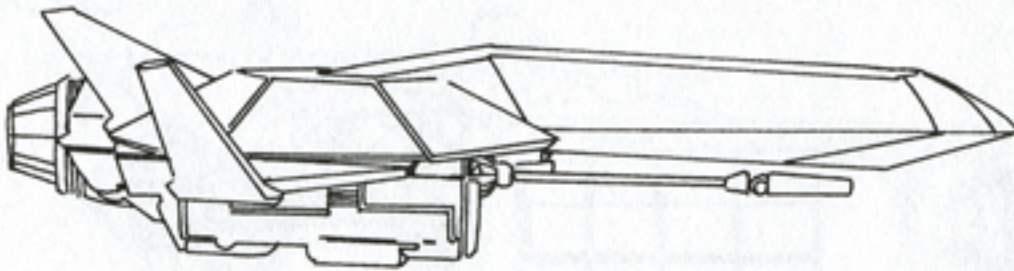


## KRANT

---

<i>Class</i> .....	Medium Fighter	<i>Cruise Velocity</i> .....	200 kps
<i>Length</i> .....	32 meters	<i>Acceleration</i> .....	Good
<i>Mass</i> .....	16.6 tonnes	<i>Max. YPR</i> .....	7/10/7 dps
<i>Max. Velocity</i> ....	360 kps		
<i>Weapons</i> .....	Laser Cannon (2)		
	Friend-or-Foe Missile (1)		
	Heat-Seeking Missiles (3)		
<i>Armor</i> .....	Fore and Aft Shields ...8 cm equivalent each		
	Front and Rear.....9/10 cm each		
	Right and Left.....8 cm each		

---



## GRATHA

---

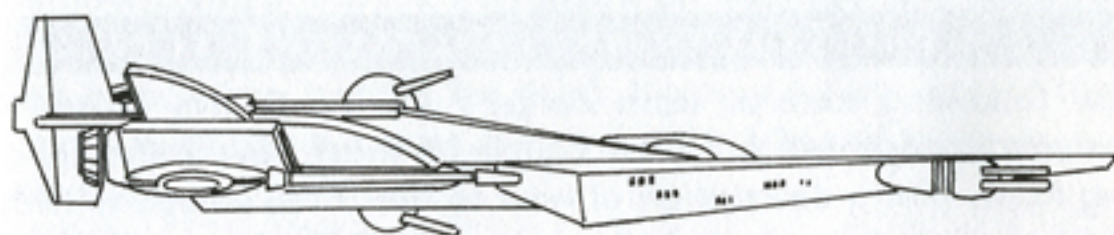
<i>Class</i> .....	Heavy Fighter	<i>Cruise Velocity</i> .....	200 kps
<i>Length</i> .....	36 meters	<i>Acceleration</i> .....	Average
<i>Mass</i> .....	18 tonnes	<i>Max. YPR</i> .....	6 dps
<i>Max. Velocity</i> ....	320 kps		
<i>Weapons</i> .....	Laser Cannon (2)		
	Mass Driver Cannon (2)		
	Image-Recognition Missile (1)		
	Heat-Seeking Missiles (3)		
	Porcupine Mines (2)		
<i>Armor</i> .....	Fore Shield.....11 cm equivalent		
	Aft Shield .....10 cm equivalent		
	Front and Rear.....15/14 cm each		
	Right and Left.....10 cm each		

---







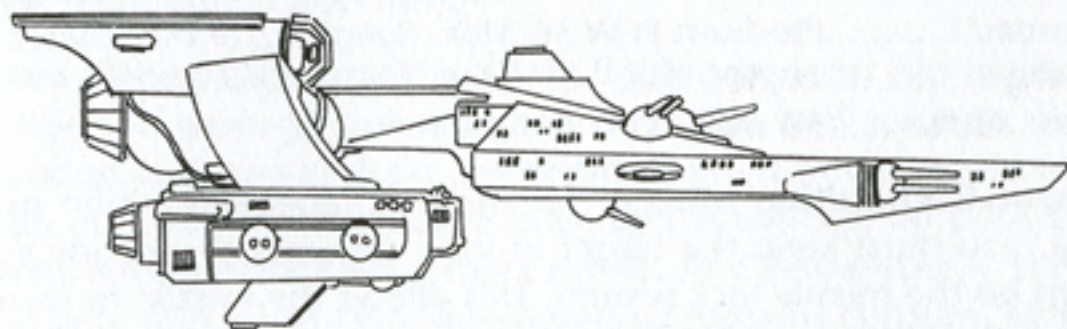


## RALARI

---

<i>Class</i> .....	Destroyer	<i>Cruise Velocity</i> .....	100 kps
<i>Length</i> .....	344 meters	<i>Acceleration</i> .....	Poor
<i>Mass</i> .....	18,000 tonnes	<i>Max. YPR</i> .....	2 dps
<i>Max. Velocity</i> ....	150 kps		
<i>Weapons</i> .....	Turreted Lasers (6)		
	Porcupine Mine (1)		
<i>Armor</i> .....	Fore and Aft Shields ...20/12 cm equivalent each		
	Front and Rear.....20/9 cm each		
	Right and Left.....18 cm each		

---



## FRALTHI

---

<i>Class</i> .....	Cruiser*	<i>Cruise Velocity</i> .....	120 kps
<i>Length</i> .....	500 meters	<i>Acceleration</i> .....	Poor
<i>Mass</i> .....	20,000 tonnes	<i>Max. YPR</i> .....	2 dps
<i>Max. Velocity</i> ....	180 kps	<i>Fighter Complement</i> .....	20**
<i>Weapons</i> .....	Turreted Lasers (6)		
<i>Armor</i> .....	Fore and Aft Shield.....27/17 cm equivalent each		
	Front and Rear.....28/14 cm each		
	Right and Left.....26 cm each		

---

\* (configurable as Cruiser or Light Carrier)

\*\* (if configured as a Light Carrier)







**Porcupine Mine.** This deadly device has limited homing capabilities and built-in proximity sensors — detonation doesn't require contact. If there's a Kilrathi on your tail, just open your rear doors and drop a Porcupine in his path. He'll be off your tail in no time, or he'll be dead. If you ever see one of these mines hurtling your way, punch the throttle and steer clear.

*Blast Radius* .....20 meters

*Velocity* .....20 mps

**Laser Cannon.** Lasers don't do a lot of damage. Still, nearly all pilots have at least one story in which the long range of the laser allowed them to get first strike on a foe. Despite their low damage potential, lasers are reliable, versatile and effective. In fact, they probably account for more enemy kills than any other weapon.

*Blast Radius* .....50 meters

*Max. Range*.....4,800 mrrs\*

**Neutron Gun.** Neutron guns do heavy damage, but only at close range. No other projectile weapon provides an equivalent level of destructive capability. The down side is that neutron guns heat up rapidly and eat up power at an alarming rate. Also the neutron gun's lack of range had led many foolhardy or underskilled pilots into close-quarter combat for which they were ill-prepared. Some of these pilots never made it home.

*Blast Radius* .....50 meters

*Max. Range*.....2,500 mrrs\*

**Mass Driver Cannon.** This basic fighter weapon has medium range and damage potential and is reliable and accurate. Heat buildup and power drain are minimal. Though lasers and neutron guns are more effective in certain situations, no pilot ever went wrong activating a mass driver. And remember — this is the only gun whose damage potential remains constant within a range of 3,000 meters.

*Blast Radius* .....50 meters

*Max. Range*.....3,000 mrrs\*

**Turreted Laser.** Terran and Kilrathi destroyers, cruisers, carriers and bases are equipped with heavy, turreted lasers linked to advanced targeting systems. Only the most maneuverable ships have any chance of surviving concentrated fire from these formidable weapons.

*Blast Radius* .....50 meters

*Max. Range*.....4,800 mrrs\*

\*(meters relative to range and speed)







# THE UNSTOPPABLE FORCE

First Lieutenant Tanaka Mariko goes by the tag of *Spirit* — a rough translation of *Kami*, as she is called by



the Japanese pilot instructors responsible for her initial training. In the cockpit, *Spirit* is known for her deceptive, defensive piloting, her ability to sense and avoid incoming fire and her habit of creeping in as close as possible to a target before cutting loose with her ship's weaponry.

***"I did not join the armed forces for revenge. ... It is a matter of tradition and duty."***

A native of Sapporo on the Japanese island of Hokkaido, Tanaka is a third-generation military pilot. Her father, Major Tanaka Shun (affectionately remembered as *Go-Devil*), died 20 years ago in the brutal McAuliffe Ambush of '34.

The 24-year-old ace explains, "I did not join the armed forces for revenge.

I have no fantasies of personally gun-

ning down the pilot who killed my father. It is a matter of tradition and duty.

***"...there is nothing to keep a modern pilot, Japanese or not, from trying to adhere to the best elements of the warrior codes of the past."***

"The tradition is my family's, and the duty is to the Earth. I am often asked if I think of myself as a modern *samurai*. The answer is no. I am a military pilot, not a feudal retainer. But there is nothing to keep a modern pilot, Japanese or not, from trying to adhere to the best elements of the warrior codes of the past — the code of the samurai, the code of the knight-errant, any code of honor and service."







## ACE OF ACES

Major Michael Casey, *Iceman* to most of the crews, has racked up more confirmed kills while serving on the *Tiger's*



*Claw* than any other pilot in the carrier's history. In the cockpit, he is known for his calm under fire, letter-perfect flying technique and deadly aim with ships' weapons — a combination that spells disaster for Kiltrathi opponents. In fact, according to the flight recorder records, he once downed three Salthi fighters single-handed with lasers as his only weapon.

***"You must learn to listen for Iceman. On the comm unit, in a large engagement, everyone is either shouting or at least very excited; Iceman is whispering. You have to strain your ears to hear him." — Angel***

Despite his Stern presence in Battle, *Iceman* is surprisingly softspoken.

Angel, frequently a wingman for *Iceman*, describes flying with him: "You must learn to listen for *Iceman*. On the comm unit,

***"I will tell you: he talks ten times as much in the cockpit as he ever talks on the carrier." — Angel***

in a large engagement, everyone is either shouting or at least very excited; *Iceman* is *whispering*. You have to strain your ears to hear him. It's always a terse little statement like 'Moving in,' 'Rolling right,' 'Target in sight,' 'Objective accomplished,' 'Head for home.' And I will tell you: he talks ten times as much in the cockpit as he ever talks on the carrier."

*Iceman* is 31, a native of Vancouver, British Columbia.

MAJOR MICHAEL CASEY, *ICEMAN*







# NEW KID ON THE BLOCK

Fresh up from the Academy is Second Lieutenant Todd Marshall, better-known as *Maniac* by his grad-



uating class. Marshall, 23, tries hard to live up to his moniker.

*“Plodding along with your joystick in one hand and a copy of the naval regs in the other is not going to impress the Kilrathi.”*

“Plodding along with your joystick in one hand and a copy of the naval regs in the other is not going to impress the Kilrathi,” he says. “They know our regs. They know the Book, they know how we do things. If we’re going to put them on the ropes, we have to adapt our rules, tactics and flying styles. We have to outfly them, outfight them ... we’ve got to want it more. And I want it.”

“I’m a Proxie — my homeworld is Leto, Proxima Centauri IV. When the colonization started, anyone with any brains or

skills high-tailed it off Earth, and most of them ended up on Leto. That’s why Proxies always kick homeborn Terrans around in the ratings.”

*“If we’re going to put them on the ropes, we have to adapt our rules, tactics and flying styles. We have to outfly them, outfight them ... we’ve got to want it more. And I want it.”*

Despite his creative interpretation of colonial history and comparative Naval Academy standings, Marshall was one of the highest-rated Academy graduates of the ‘54 class and promises to be a worthy addition to the *Tiger’s Claw* pilot roster.

SECOND LIEUTENANT  
TODD MARSHALL, MANIAC







## RELIABILITY UNDER FIRE

Captain Joseph Khumalo, known to the crews as *Knight* admits that his piloting accomplishments don't dot the



record books. "I'm not a cockpit genius like Hunter or a marksman like Angel. I'm an ordinary man, a pilot. It's my job."

***"I just fired as fast as I could and got lucky. I was an ace coming out of that pack."***

Yet wingleaders tend to breathe a sigh of relief when they draw Khumalo as wingman. Knight has a reputation of utter reliability in combat. "I got my nickname in the Enyo engagement. The Kilrathi were swarming like flies. I was a second looie assigned as wingman to Captain Maria Alvarez, callsign *La Doña*. We were hugging the deck of this transport and strafing it, did a tight turn going from its back to its belly, and ran

right through a swarm of fighters headed the other way. Any defensive maneuvering in those close quarters would've cut

me off from *La Doña*, so I just fired as fast as I could and got lucky. I was an ace coming out of that pack and had picked off a couple of fighters going after my wingleader. *La Doña* put on her thickest accent and cooed, 'Ooh, eet's my White Knight,' and the name stuck.

***"I'm not a knight. I'm just a soldier. Not all of us can be geniuses ... but I'm going to do the best I can with what I can."***

"But honestly, I don't feel that way. I'm not a knight. I'm just a soldier. Not all of us can be geniuses ... but I'm going to do the *best* I can with *what* I can." Khumalo, 36, hails from Kroonstad, South Africa.







**FILE #16982: KRANT FIGHTER****KHAJJA "MACHINE" NAR JA'TARGK**

Khajja the Fang is not-so-affectionately called "Machine" by Terran intelligence. He is the most efficient, mission-oriented pilot the Kilrathi have. He pilots a *Krant* medium fighter.

**Strengths.** Khajja's greatest asset is his clear thinking. He never panics or falters and appears to have utter confidence in his wingmen. He is not vulnerable to taunts, goads or insults.

**Weaknesses.** Khajja's faith in his wingmen may be misplaced. Analysis indicates that some Kilrathi pilots may be afraid of him. He will single-mindedly ignore incoming ships in order to concentrate on a strike objective, meaning that he might ignore *you*.

**Tactics.** Khajja prefers straight-in, straight-out strafing approaches. He uses his laser cannon for most encounters, saves his heat-seekers for mission objectives or particularly troublesome enemies, and saves his friend-or-foe missile for emergencies.

**Recommendation.** If he's approaching a mission objective, you might get a free shot by eluding his wingmen. If he's moving in on you, use classic dogfight tactics. Try to outfly and outshoot him, or lead him toward unengaged friendlies. He doesn't like bad odds.

**CAT BITES - HISTORY OF THE TERRAN/KILRATHI CONFLICT**

On 2629.105 (March 15, 2629 Terran time) the exploration ship *Iason* encounters a spacecraft of unknown origin. *Iason* commander Jedora Andropolos beams the standard wide-band non-verbal greeting designed by the Committee for Interaction with Alien Intelligences. Captain Andropolos keeps *Iason* motionless for twenty-two minutes standard while the alien vessel waits. Finally, the alien vessel opens up with all guns, utterly destroying *Iason* and all hands.

On 2634.186, war is formally declared by the Terran Confederation on the Empire of Kilrah for countless acts of piracy and unwarranted assault.







**FILE #67198: JALTHI FIGHTER****BAKHTOSH "REDCLAW" NAR KIRANKA**

Bakhtosh "Redclaw" is a rash on the comm units; he is best known for extremely sarcastic gloating during combat engagements. It appears that he belongs to an aristocratic Kilrathi family and has been trained in the politics of superiority from birth. He flies a *Jalthi* heavy fighter.

**Strengths.** Bakhtosh is the best Kilrathi shot in Vega Sector, bar none. His accuracy with ship's guns is becoming legendary even among Terran pilots, which is another strength. Some Terrans feel intimidated when confronting the legendary Bakhtosh, and consequently, their flying suffers. Additionally, he is a master of the crowning insult, the patronizing remark and the racial slur. He often goads Terran fighters into making tactical errors.

**Weaknesses.** Bakhtosh's piloting is nothing special. Like one legendary figure of Terran combat aviation, the Red Baron, he is an excellent marksman but a mediocre flier. Additionally, his insults and better-than-thou attitude are *not* poses; he believes himself to be superior to most Kilrathi, as well as all humans.

**Tactics.** Bakhtosh prefers to fire from a distance. He will move within the maximum effective range for his weapons and chew his target to pieces. The extra distance allows him a little time to cope with the maneuvers of superior fliers. If forced to close with a foe, he will launch one of his missiles.

**Recommendation.** Close in, firing continuously, then try to outfly him in standard fashion. Do *not* be daunted by his substantial reputation.

**CAT BITES - HISTORY OF THE TERRAN/KILRATHI CONFLICT**

On 2634.235, the Kilrathi fleet arrives at McAuliffe. It is four times the predicted size; the incomplete translation of the intercepted message had underestimated the size of the Kilrathi offensive. So begins the McAuliffe Ambush engagement. In several days of bloody combat, the Terran fleet is all but obliterated, leaving a still-sizable force of functional Kilrathi spacecraft.



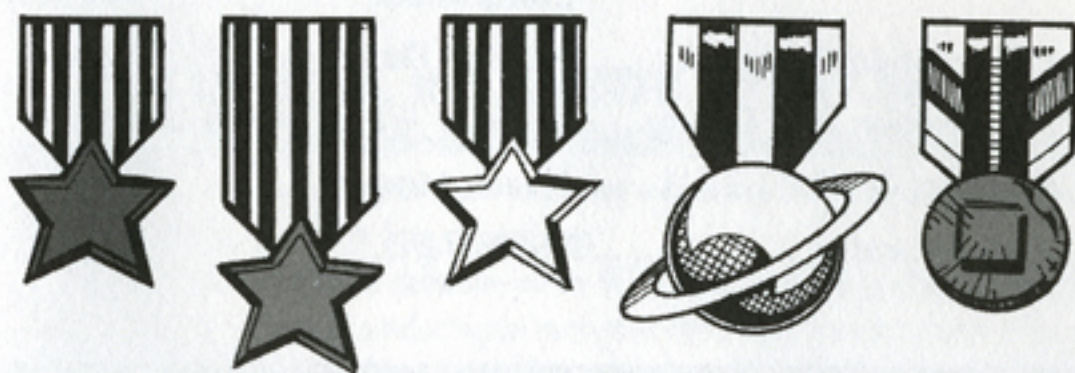




# NEW ON THE FLIGHT DECK

## MEDAL RECOGNITION FOR NEW RECRUITS

Can you recognize, on sight, all the medals awarded by the Terran Confederation Navy? Don't be caught speechless when a senior officer tells you to identify all the "chicken guts" he's wearing. Instead, learn the medals and ranks shown below.



**Bronze Star.** Awarded for exceptional bravery under fire.

**Gold Star.** Awarded for exceptional bravery against hopeless odds.

**Silver Star.** Awarded for exceptional bravery against overwhelming opposition. When a recipient wins an additional Silver Star, an extra bar is affixed to the top of the ribbon area.

**Terran Confederation Medal of Honor.** Also nicknamed the "Pewter Planet," this is the highest medal awarded to military personnel.

**Golden Sun.** Awarded for surviving the destruction of one's ship. The Golden Sun is awarded only once. The subsequent loss of ships gets you only the requisite, especially intensive, debriefing sessions and performance evaluations.

## UP AND COMING

### TIGER'S CLAW PROMOTIONS

To Lieutenant: S.E. "Broadway" Sarasin

To Captain: Fatima "Cymbals" Haroud

### TIGER'S CLAW AWARDS

Ace: Second Lieutenant Todd "Maniac" Marshall

Bronze Star: Captain Jeannette "Angel" Devereaux

15-Mission Ribbon: First Lieutenant Tanaka "Spirit" Mariko







## **ORIGIN SYSTEMS, INC. LIMITED 90 DAY WARRANTY.**

ORIGIN warrants to the original purchaser of this computer software product that the recording medium on which the software programs are recorded will be free from defects in material and workmanship for 90 days from the date of purchase.

If the recording medium is found defective within 90 days of original purchase, ORIGIN agrees to replace, free of charge, any such product upon receipt at its Factory Service Center of the produce, postage paid, with proof of date of purchase. This warranty is limited to the recording medium containing the software program originally provided by ORIGIN. This warranty shall not be applicable and shall be void if the defect has arisen through abuse, mistreatment or neglect. Any implied warranties applicable to this product are limited to the 90-day period described above. If failure of the software product, in the judgment of ORIGIN, resulted from accident, abuse, mistreatment or neglect, or if the recording medium should fail after the original 90-day warranty period has expired, you may return the software program to ORIGIN, at the address noted below, with a check or money order for \$5.00 (U.S. currency), which includes postage and handling, and ORIGIN will mail a replacement to you. To receive a replacement, you should enclose the defective medium (including the original product label) in protective packaging accompanied by: (1) a \$5.00 check (2) a brief statement describing the defect and (3) your return address. Canada and Foreign Orders Note: Only U.S. money orders are accepted.

Except as set forth above, this warranty is in lieu of all other warranties, whether oral or written, express or implied, including any warrant of merchantability or fitness for a particular purpose, and no other representation of claims of any nature shall be binding on or obligate ORIGIN. In no event will ORIGIN be liable for special, incidental or consequential damage resulting from possession, use or malfunction of this product, including damage to property and to the extent permitted by law, damages for personal injury, even if ORIGIN has been advised of the possibility for such damages. Some states do not allow limitations on how long an implied warranty lasts and/or the exclusion or limitation of incidental or consequential damages, so the above limitation and/or exclusion or limitation of liability may not apply to you. This warranty gives you specific legal rights. You may have other rights that vary from state to state.

**FOR ASSISTANCE WITH QUESTIONS PLEASE CALL  
ORIGIN PRODUCT SUPPORT AT (512)-335-0440.**

Patents: U.S. #'s 4,442,486/4,454,594/4,462,076/4,026,555; Europe # 80244; Canada #'s 1,183,276/1,082,351; Hong Kong # 88-4302; Germany # 2,609,826; Singapore # 88-155; U.K. # 1,535,999; France # 1,607,029; Japan #'s 1,632,396/82-205605 (Pending).



# WING COMMANDER, SEGA CD REFERENCE CARD

## 3-BUTTON CONTROLLER

### Pre-Flight Functions

- [D] Move the cursor to select option
- [A] Begin selected action
- [B] Skip entire conversation/animation
- [A] or [C] Skip one line of conversation
- [S] Start game/Pause

### In-Flight Functions

- [D] Move the ship left, right, up and down
- [A] Fire gun
- [A][B] Launch missile
- [B][↑] or [B][↓] Speed up or slow down
- [B][←] or [B][→] Roll left or roll right
- [B] x 2 Apply afterburner burst (keep pressed the second time for continuous afterburners)
- [S][↑] or [S][↓] Cycle views (External views and Cockpit)
- [S][←] or [S][→] Cycle views (Starboard/Rear/Port/Cockpit)
- [S][A][B] Toggle Missile Camera (on/off)
- [B][C] Autopilot
- [S][B][C] Eject from ship

### VDU Functions

- [S][A] Cycle through Left VDU modes (Weapon/Gun/Damage)
- [S][C] Cycle through Right VDU modes (Communications/Nav/Target)
- [C] Cycle through available options
- [S][B] Lock/Unlock target (If in Autotargeting mode)
- [S][B] Select Receiver/Send Message (If in Communications mode)
- [S][B] Display Nav map/pause game (If in Navigational mode)
- [A] Accept Nav point and return to cockpit (if in Nav map)

### 6-BUTTON CONTROLLER

- [X]
- [Z]
- [C]
- [Y]
- [Y]
- [Y]
- [Y]

Licensed by Sega Enterprises, Ltd. for play on the Sega CD™ System. Sega and Sega CD are trademarks of Sega Enterprises, Ltd. All rights reserved.

Produced by ORIGIN Systems, Inc., an Electronic Arts Company. Origin, We create worlds and Wing Commander are registered trademarks of ORIGIN Systems, Inc. Electronic Arts is a registered trademark of Electronic Arts.

© 1994 ORIGIN Systems, Inc. All rights reserved. ORIGIN Systems, Inc. P.O. Box 161750, Austin, TX 78716-1750.

Manufactured in the USA.