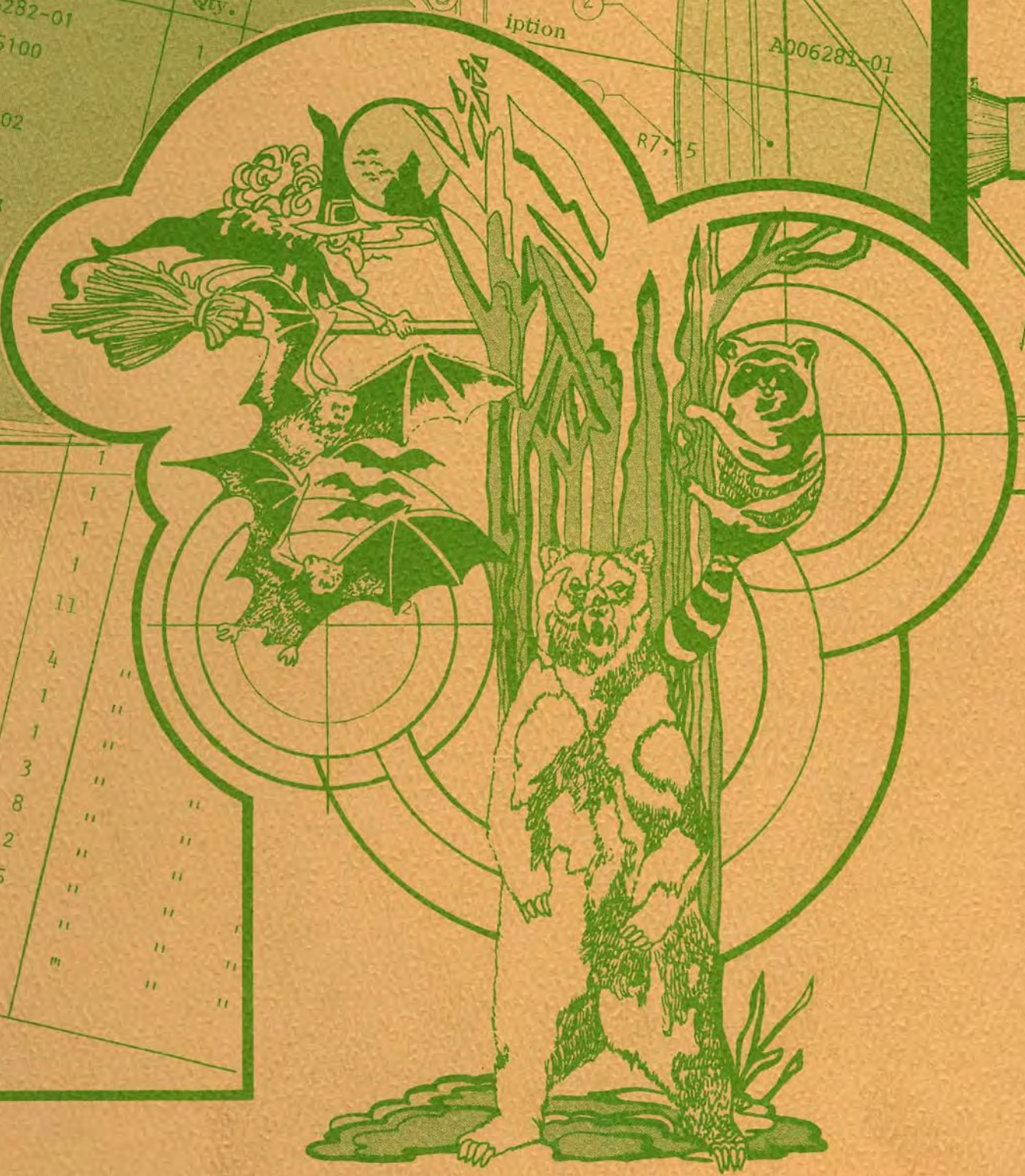


Triple Hunt™

illustrated parts catalog



| Item | Part Number | Qty. |
|------|-------------|------|
| 1 | 006282-01 | 1 |
| 2 | 10-5100 | |
| 3 | | |
| 4 | 10-5102 | |
| 5 | 10-5103 | |
| 6 | 10-5104 | |
| 7 | 10-5105 | |
| 8 | 10-5153 | |
| | 10-5182 | |
| | 10-5220 | |
| | 2P7 | |
| | 10-5222 | 1 |
| | 10-5224 | 1 |
| | 10-5225 | 1 |
| | 10-5331 | 1 |
| | 10-5332 | 11 |
| | 10-5392 | 4 |
| | 10-5333 | 1 |
| | 10-5334 | 1 |
| | 10-5371 | 3 |
| | 10-5372 | 8 |
| | 10-5373 | 2 |
| | 10-5374 | 5 |
| | 10-5375 | 1 |
| | 10-5376 | 1 |



description

A006281-01

R7.5

2

WARRANTY

Seller warrants that its printed circuit boards and parts thereon are free from defects in material and workmanship under normal use and service for a period of ninety (90) days from date of shipment. Seller warrants that its television monitors are free from defects in material and workmanship under normal use and service for a period of thirty (30) days from date of shipment. None of the Seller's other products or parts thereof are warranted.

If the products described in this manual fail to conform to this warranty, Sellers' sole liability shall be, at its option, to repair, replace, or credit Buyer's account for such products which are returned to Seller during said warranty period, provided:

(a) Seller is promptly notified in writing upon discovery by Buyer that said products are defective;

(b) Such products are returned prepaid to Sellers' plant; and

(c) Seller's examination of said products discloses to Seller's satisfaction that such alleged defects existed and were not caused by accident, misuse, neglect, alteration, improper repair, installation or improper testing.

In no event shall Seller be liable for loss of profits, loss of use, incidental or consequential damages.

EXCEPT FOR ANY EXPRESS WARRANTY SET FORTH IN A WRITTEN CONTRACT BETWEEN SELLER AND BUYER WHICH CONTRACT SUPERSEDES THE TERMS OF THIS ORDER, THIS WARRANTY IS EXPRESSED IN LIEU OF ALL OTHER WARRANTIES EXPRESSED OR IMPLIED, INCLUDING THE IMPLIED WARRANTIES OF MERCHANTABILITY AND FITNESS FOR A PARTICULAR PURPOSE, AND OF ALL OTHER OBLIGATIONS OR LIABILITIES ON THE SELLER'S PART, AND IT NEITHER ASSUMES NOR AUTHORIZES ANY OTHER PERSON TO ASSUME FOR THE SELLER ANY OTHER LIABILITIES IN CONNECTION WITH THE SALE OF PRODUCTS UNDER THIS ORDER.

This document is and contains confidential trade secret information of Atari, Inc.

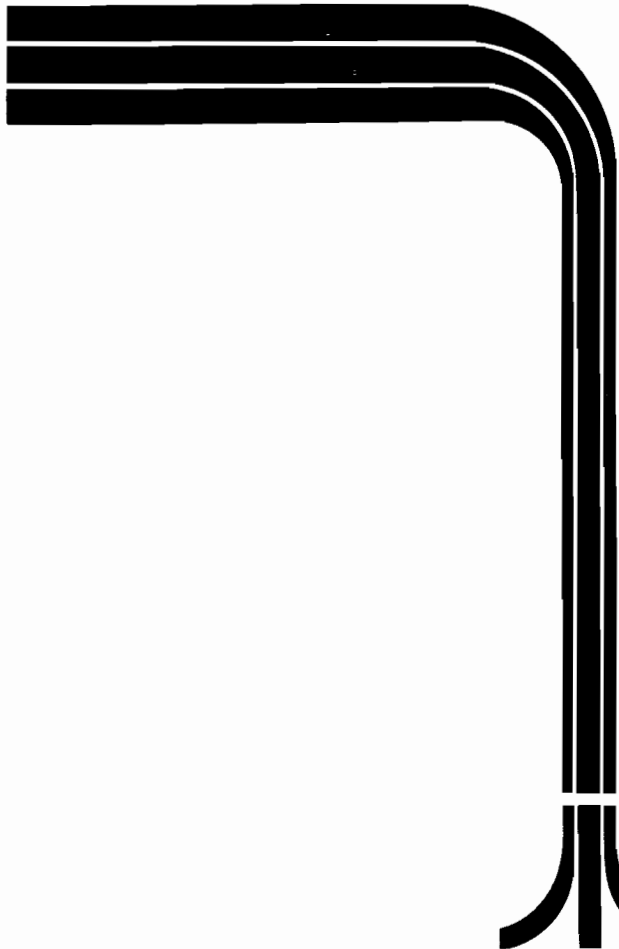
This document is loaned under confidential custody for the sole purpose of operation, maintenance or repair of Atari equipment and may not be used by or disclosed to any person for any other purpose whatever, and remains the property of Atari, Inc.

Neither it nor the information it contains may be reproduced, used, or disclosed to persons not having a need to know consistent with the purpose of the loan, without written consent of Atari, Inc.

Triple Hunt™

illustrated parts catalog

ATARI INC
1265 BORREGAS AVENUE
P.O. BOX 9027
SUNNYVALE, CALIFORNIA 94086
408/745-2000 • TELEX 35-7488



ATARI®

This catalog is a supplement to the Triple Hunt™ Operation, Maintenance and Service Manual, Atari Publication Number TM-091. The purpose of this catalog is to provide you with the necessary information for ordering replacement parts for the Triple Hunt game.

When ordering parts from your distributor, give the part number, part name, applicable page number of this catalog, and the serial number of your Triple Hunt game. This will help to avoid confusion and mistakes in your order. We hope the results will be less downtime and more profit from your Triple Hunt game.

If there are any questions about this catalog, please contact our Customer Service Department. You may call them Monday through Friday from 7:30 am to 4:00 pm Pacific Time at one of the following numbers:

from outside California, call toll free
(800) 538-6892

from inside California, Alaska or Hawaii, call
(408) 984-1900

All rights reserved. Copyright © 1977 by Atari, Inc. No part of this publication may be reproduced by any mechanical, photographic, or electronic process, or in the form of a phonographic recording, nor may it be stored in a retrieval system, transmitted, or otherwise copied for public or private use, without permission from the publisher.

Table of Contents for Single Cabinet Triple Hunt

| <u>Figure Number</u> | <u>Figure Title</u> | <u>Page Number</u> |
|----------------------|---|--------------------|
| 1A | Triple Hunt Single Cabinet Final Assembly | 2 |
| 2 | Single Cabinet Final Assembly | 6 |
| 5 | Electronics Tray Assembly | 18 |
| 6 | Power Supply Assembly | 20 |
| 8 | Tape Deck Assembly | 24 |
| 9 | RF Shield PCB Assembly | 26 |
| 10 | Triple Hunt Game PCB Assembly | 28 |
| 11 | Single Cabinet Top Black Light Assembly | 34 |
| 12 | Single Cabinet Lower Black Light Assembly | 36 |
| 15 | Single Cabinet TV Shelf Assembly | 42 |
| 17 | Rifle and Pot Mount Assembly | 46 |
| 18 | Coin Door Final Assembly | 50 |
| 19 | Coin Door Assembly | 52 |

Table of Contents for Two-Cabinet Triple Hunt

| <u>Figure Number</u> | <u>Figure Title</u> | <u>Page Number</u> |
|----------------------|--|--------------------|
| 1B | Triple Hunt Two-Cabinet Final Assembly | 4 |
| 3 | Gun Mount Cabinet Final Assembly | 10 |
| 4 | CRT Cabinet Assembly | 16 |
| 6 | Power Supply Assembly | 20 |
| 7 | Tape Deck and Shelf Assembly | 22 |
| 8 | Tape Deck Assembly | 24 |
| 9 | RF Shield PCB Assembly | 26 |
| 10 | Triple Hunt Game PCB Assembly | 28 |
| 13 | Two-Cabinet Top Display Assembly | 38 |
| 14 | Two-Cabinet Bottom Display Assembly | 40 |
| 16 | Two-Cabinet TV Shelf Assembly | 44 |
| 17 | Rifle and Pot Mount Assembly | 46 |
| 18 | Coin Door Final Assembly | 50 |
| 19 | Coin Door Assembly | 52 |
| 20 | Brace Assembly | 54 |

NOTICE TO ALL PERSONS RECEIVING THIS DRAWING
CONFIDENTIAL. Reproduction forbidden without the
specific written permission of Atari, Inc., Sunnyvale,
California. This drawing is only conditionally issued, and
neither receipt nor possession thereof confers or transfers
any right in, or license to use, the subject matter of the
drawing or any design or technical information shown
thereon, nor any right to reproduce this drawing or any part
thereof, except for manufacture by vendors of Atari Incor-
porated and for manufacture under the corporation's writ-
ten license, no right to reproduce this drawing is granted or
the subject matter thereof unless by written agreement
with or written permission from the corporation.

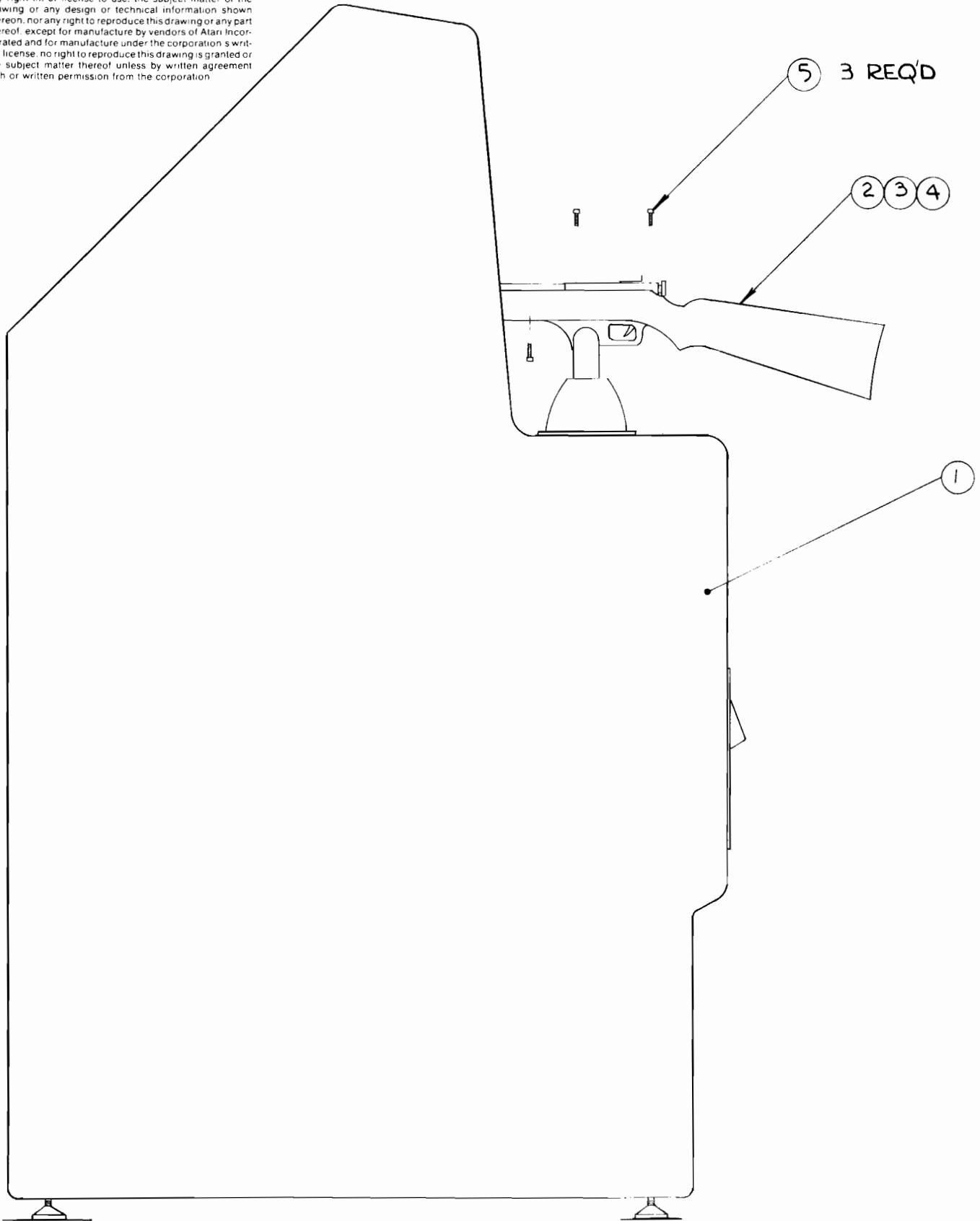


Figure 1A Triple Hunt Single Cabinet Final Assembly
A009376-01 A



Figure 1A Triple Hunt Single Cabinet Final Assembly
Parts List

| Item | Part Number | Qty. | Description |
|------|-------------|-------|--|
| 1 | A009372-01 | 1 Ref | Single Cabinet Final Assembly - See Figure 2 |
| 2 | 008317-01 | 1 Ref | Rifle Stock |
| 3 | 008319-01 | 1 Ref | Receiver |
| 4 | 008320-02 | 1 Ref | Barrel |
| 5 | 72-8524 | 3 Ref | Scr., Mach., $\frac{1}{4}$ -20 x $1\frac{1}{4}$ Lg. Soc, Hd. |

NOTICE TO ALL PERSONS RECEIVING THIS DRAWING
 CONFIDENTIAL. Reproduction forbidden without the
 specific written permission of Alair, Inc., Sunnyvale,
 California. This drawing is only conditionally issued, and
 neither receipt nor possession thereof confers or transfers
 any right or license to use the subject matter of the
 drawing for any other purpose than that intended herein.
 No warranty is made by Alair, Inc. for the use of the
 drawing for any other purpose. This drawing is a part
 thereof, except for manufacture by vendors of Alair incor-
 porated and for manufacture under the corporation's writ-
 ten license, no right to reproduce this drawing is granted or
 the subject matter thereof unless by written agreement
 with or written permission from the corporation.

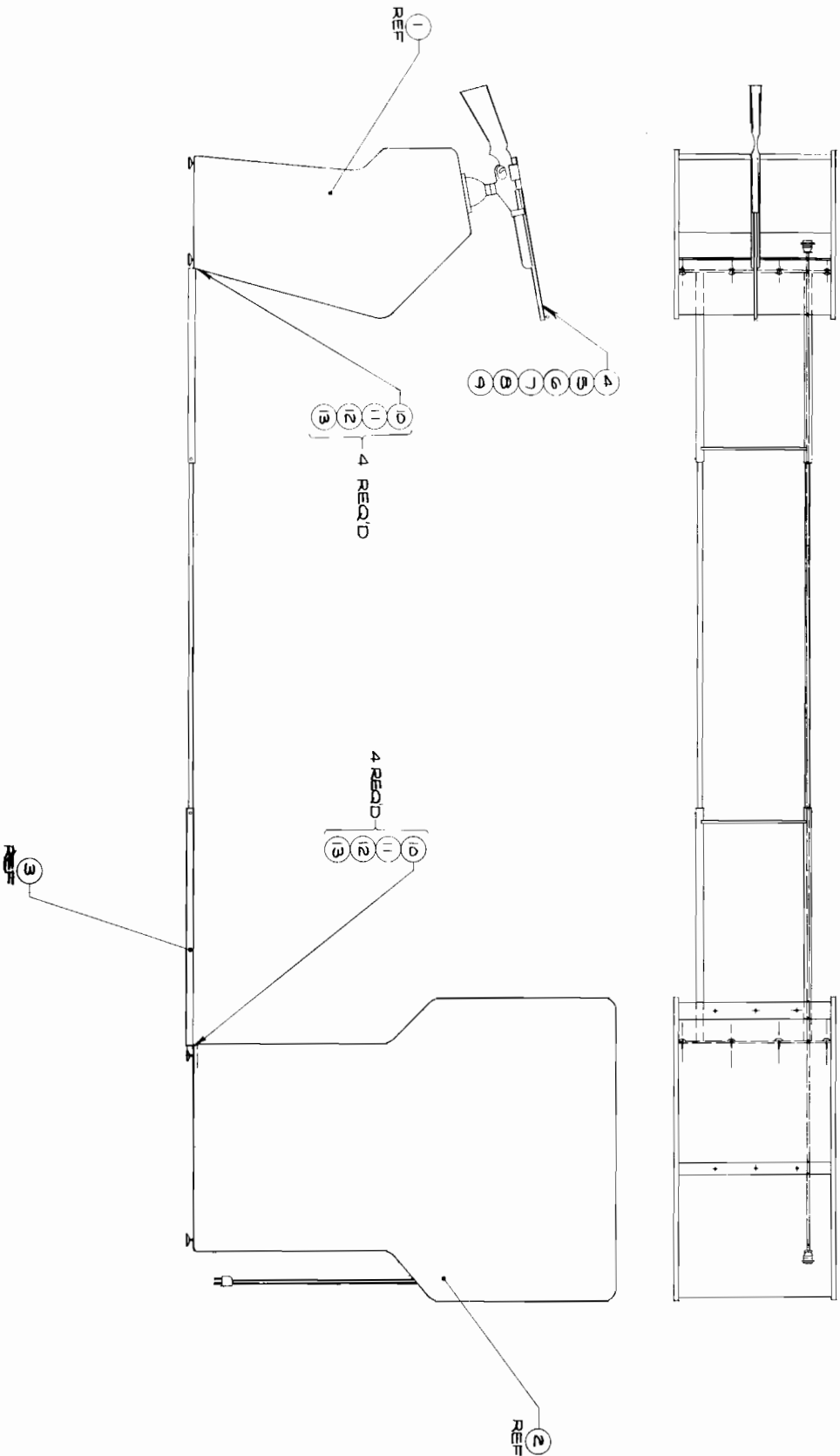


Figure 1B Triple Hunt Two-Cabinet Final Assembly
 A008334-01 B

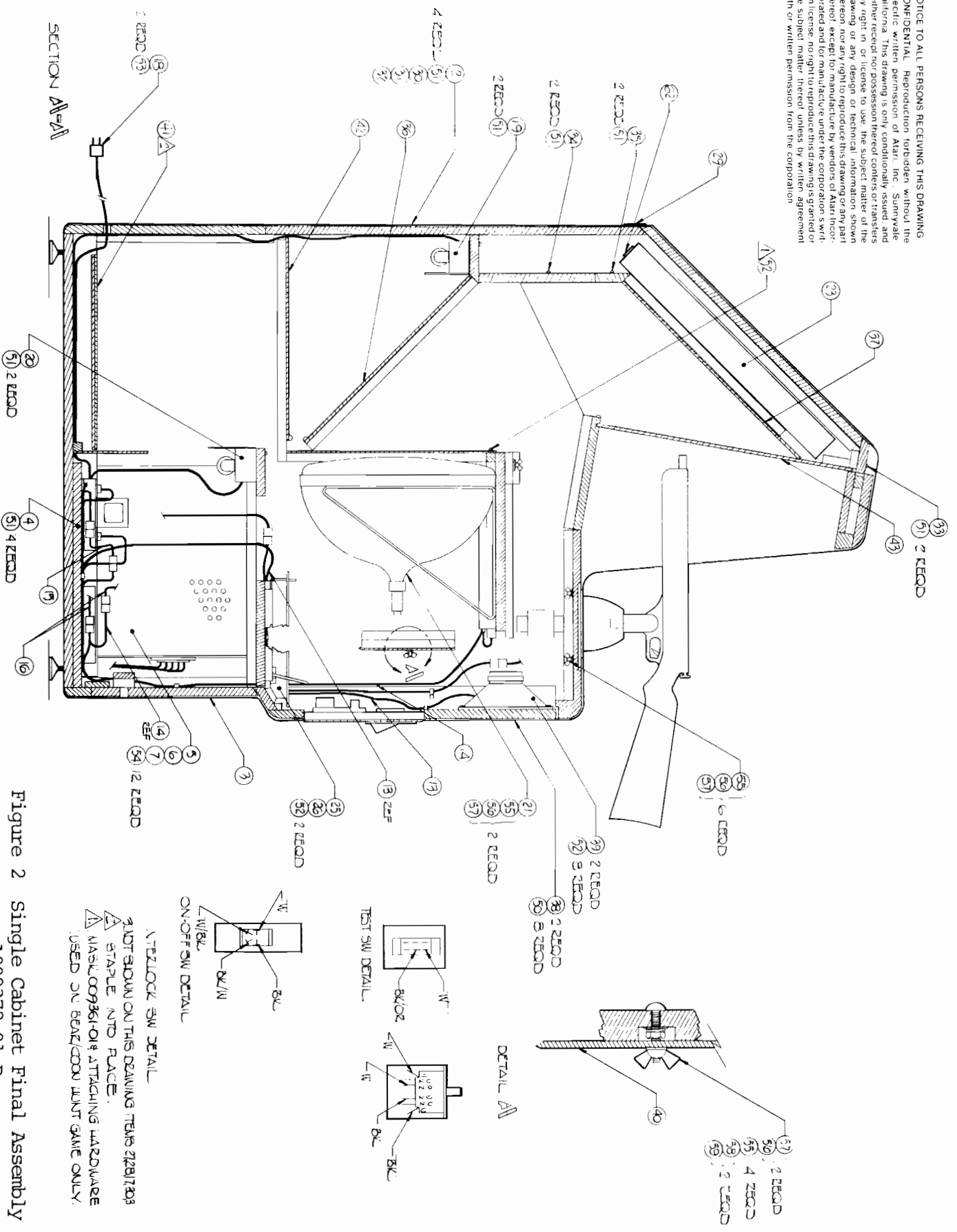


Figure 1B Triple Hunt Two-Cabinet Final Assembly
Parts List

| Item | Part Number | Qty. | Description |
|------|-------------|------|--|
| 1A | A007939-01 | Ref | Gun Mount Cabinet Final Assembly - Used only on early production models. |
| 1B | A007939-02 | Ref | Gun Mount Cabinet Final Assembly - Used only on later production models. See Figure 3 |
| 2 | A008370-01 | " | CRT Cabinet Assembly - See Figure 4 |
| 3 | A008456-01 | " | Brace Assy - See Figure 20 |
| 4 | 008316-01 | " | Rifle Stock |
| 5 | 008320-01 | " | Barrel |
| 6 | 008319-01 | " | Receiver |
| 7 | 72-8528 | " | Screw, Socket Hd $\frac{1}{4}$ -20 x 1.75 Lg. |
| 8 | 72-8520 | " | " " " 1.25 Lg. |
| 9 | 72-8536 | " | " " " 2.25 Lg. |
| 10 | 75-5524N | 8 | Carriage Bolt, $\frac{1}{4}$ -20 x $1\frac{1}{2}$ " Lg. |
| 11 | 75-935 | 8 | Wing Nut, $\frac{1}{4}$ -20 |
| 12 | 75-015S | 8 | Flat Washer, $\frac{1}{4}$ |
| 13 | 75-045 | 8 | Washer, Split Lock, $\frac{1}{4}$ |

NOTE: ONLY DIFFERENCE BETWEEN ITEM 1A AND 1B IS TAPE DECK ASSEMBLY AS INDICATED IN FIGURE 7.

NOTICE TO ALL PERSONS RECEIVING THIS DRAWING
 CONFIDENTIAL Reproduction forbidden without the
 specific written permission of Atari, Inc. Sunnyvale
 California. This drawing is only conditionally issued and
 neither receipt nor possession thereof confers or transfers
 any right in or license to use the subject matter of the
 drawing or any design or technical information shown
 thereon or any right to reproduce the same in any form
 without the prior written consent of Atari, Inc. In the
 event of any such reproduction or use of Atari, Inc. in-
 formation without the prior written consent of Atari, Inc.,
 the licensor shall be liable for the full amount of the
 license fee for reproduction of this drawing, as granted or
 the subject matter thereof, unless by written agreement
 with or written permission from the corporation.



Y-TEZLOCK SW DETAIL
 NOT SHOWN ON THIS DRAWING ITEM# 212817403
 STAPLE INTO FLANGE.
 MASTIC 009361-014 ATTACHING HARDWARE
 USED ON BEAF/COON WUNT GAME ONLY.

Figure 2 Single Cabinet Final Assembly
 A009372-01 B

NOTICE TO ALL PERSONS RECEIVING THIS DRAWING
 CONFIDENTIAL. Reproduction forbidden without the
 specific written permission of Alari, Inc., Sunnyvale,
 California. This drawing is only conditionally issued and
 neither receipt nor possession thereof confers or transfers
 any right in, or license to use, the subject matter of the
 drawing or any design or technical drawing of any part
 thereof, except for manufacture by vendors of Alari incor-
 porated and for manufacture under the corporation's writ-
 ten license. No right to reproduce this drawing is granted or
 the subject matter thereof unless by written agreement
 with or written permission from the corporation.

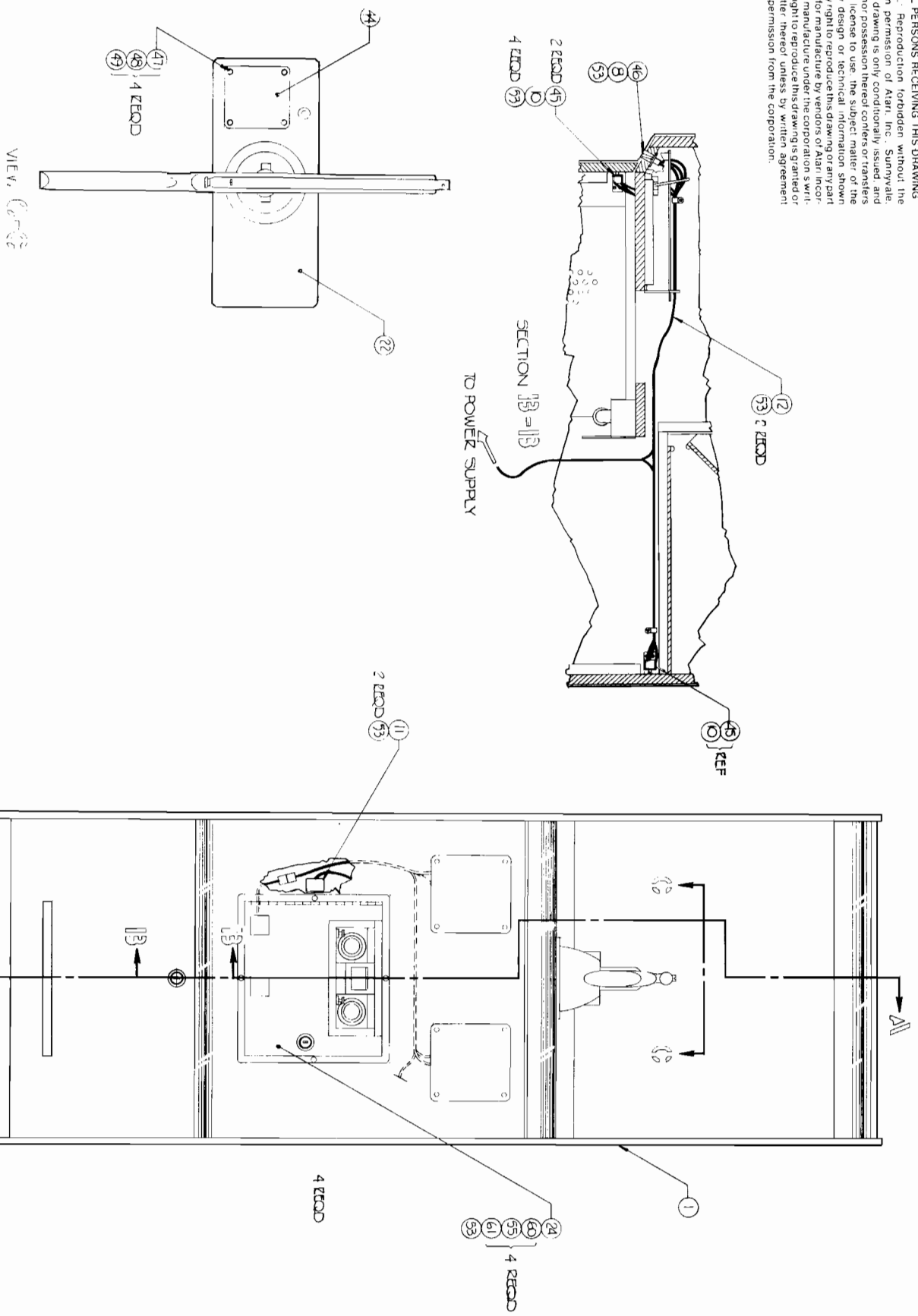


Figure 2 Single Cabinet Final Assembly
 A009372-01 B



Figure 2 Single Cabinet Final Assembly
Parts List

| Item | Part Number | Qty. | Description |
|------|-------------|------|---|
| 1 | A009324-02 | 1 | Cabinet Assy W/Graphics |
| 2 | A009334-01 | 1 | Rear Door W/Lock Assy |
| 3 | A009328-01 | 1 | Front Door W/Lock Assy |
| 4 | A009329-01 | 1 | Electronics Tray Assy - See Figure 5 |
| 5 | A005912-02 | 1 | R.F. Shield Box Assy |
| 6 | A008335-01 | 1 | R.F. Shield PCB Assy - See Figure 9 |
| 7 | A007532-02 | 1 | Triple Hunt Game PCB Assembly - See Figure 10 |
| 8 | A006449-01 | 1 | Power On/Off Switch |
| 9 | | | |
| 10 | 000268-01 | 2 | Interlock Sw. BKT |
| 11 | A006458-01 | 1 | Slide Sw. Assy |
| 12 | A009355-01 | 1 | Power Sw. Harness |
| 13 | A008304-02 | 1 | Main Harness |
| 14 | A008305-01 | 1 | CRT Harness Assy |
| 15 | A009356-01 | 1 | Main Interconnect Harness |
| 16 | A005396-02 | 1 | Tape Deck " " |
| 17 | 008303-03 | 1 | Harness Schematic |
| 18 | A007784-02 | 1 | Strain Relief Power Cord Assy |
| 19 | A009357-01 | 1 | Assy, Top Black Light - See Figure 11 |
| 20 | A009337-01 | 1 | Assy, Lower Black Light - See Figure 12 |
| 21 | A009336-01 | 1 | TV Shelf Assy. - See Figure 15 |
| 22 | A008315-02 | 1 | Rifle and Pot Mount - See Figure 17 |
| 23 | A009358-01 | 1 | Plex Storage Box Assy |
| 24 | A006794-01 | 1 | Coin Door Assy. for American Quarter Only |
| | A006794-02 | Ref. | Coin Door Assy. for Belgian 5 Francs Only |
| | A006794-03 | Ref. | Coin Door Assy. for German Mark Only |
| | A006794-04 | Ref. | Coin Door Assy. for Swedish Krona Only |
| | A006794-05 | Ref. | Coin Door Assy. for Japanese 100 Yen Only |
| | A006794-06 | Ref. | Coin Door Assy. for English 10 Pence Only |
| | A006794-07 | Ref. | Coin Door Assy. for Australian 20-Cent Piece Only |
| 25 | A007902-01 | 1 | Coin Box Assy. |
| 26 | 006870-01 | 1 | Coin Box Bracket |
| 27 | 009371-01 | 1 | Rifle Shipping Container |
| 28 | A009375-XX | 1 | Shipping Container |
| 29 | 005233-01 | 1 | Rear Door Seal |
| 30 | 006305-01 | 1 | Printed Poly Bag |
| 31 | IPC-091 | 1 | Illustrated Parts Catalog |
| 32 | TM-091 | 1 | Tech. Manual |
| 33 | 009312-01 | 1 | Wood Plex Retainer |
| 34 | 009299-01 | 1 | Panel Access |
| 35 | 009298-01 | 1 | Retainer Mirror |



Figure 2 Single Cabinet Final Assembly
Parts List

| Item | Part Number | Qty. | Description |
|------|-------------|------|--|
| 36 | 009359-01 | 1 | Transparent Mirror Rework |
| 37 | 009360-01 | 1 | Top Mirror |
| 38 | 005419-01 | 2 | Speaker Grill |
| 39 | 48-009 | 2 | Speaker 8" |
| 40 | 009327-01 | 1 | Shield Monitor |
| 41 | 008454-01 | 1 | Cardboard Graphics (Witch Hunt) |
| 42 | 008374-01 | 1 | Main Display (Witch Hunt) |
| 43 | 007957-01 | 1 | Witch Hunt Front Plex (Silk Screen) |
| 44 | 007950-01 | 1 | Instruction Plex (Witch Hunt) |
| 45 | 68-002 | 2 | Interlock Switch (AC Powered) |
| 46 | 007103-01 | 1 | On/Off Switch Cover |
| 47 | 75-99090006 | 4 | Wellnut Blind Hole Fastener |
| 48 | 82-8016 | 4 | Screw BH Socket #10-32x1.00LG |
| 49 | 75-07021 | 4 | Washer Flat Black Nylon #10 |
| 50 | 73-77004 | 8 | Rivet 3/16" ODx.68LG |
| 51 | 72-6620 | 20 | Screw SM PH Phil #6x1 $\frac{1}{4}$ "LG |
| 52 | 72-6812 | 8 | Screw SM PH Phil #8x3/4"LG |
| 53 | 72-6610 | 21 | Screw SM PH Phil #6x5/8" |
| 54 | 72-6608 | 12 | Screw SM PH Phil #6x $\frac{1}{2}$ " |
| 55 | 75-015,S | 16 | Washer, Flat $\frac{1}{4}$ " |
| 56 | 75-045 | 10 | Washer, Split Lock $\frac{1}{4}$ " |
| 57 | 75-935 | 10 | Nut Wing $\frac{1}{4}$ "-20 |
| 58 | 75-5524N | 2 | Bolt Carriage $\frac{1}{4}$ "-20x1 $\frac{1}{2}$ "LG |
| 59 | 75-915,S | 2 | Nut Hex $\frac{1}{4}$ "-20 |
| 60 | 75-5516B | 4 | Bolt Carriage $\frac{1}{4}$ "-20x1.00LG |
| 61 | 75-990505,S | 4 | Nut Lock Shallow Pat Nylon $\frac{1}{4}$ "-20 |
| 62 | 002191-01 | 1 | Bracket |

NOTICE TO ALL PERSONS RECEIVING THIS DRAWING
 CONFIDENTIAL: Reproduction forbidden without the specific written permission of Atari, Inc., Sunnyvale, California. This drawing is only conditionally issued, and neither receipt nor possession thereof confers or transfers any right in, or license to use, the subject matter of the drawing or any design or technical information shown thereon, nor any right to reproduce this drawing or any part thereof, except for manufacture by vendors of Atari Incorporated and for manufacture under the corporation's written license. No right to reproduce this drawing is granted or the subject matter thereof unless by written agreement with or written permission from the corporation.

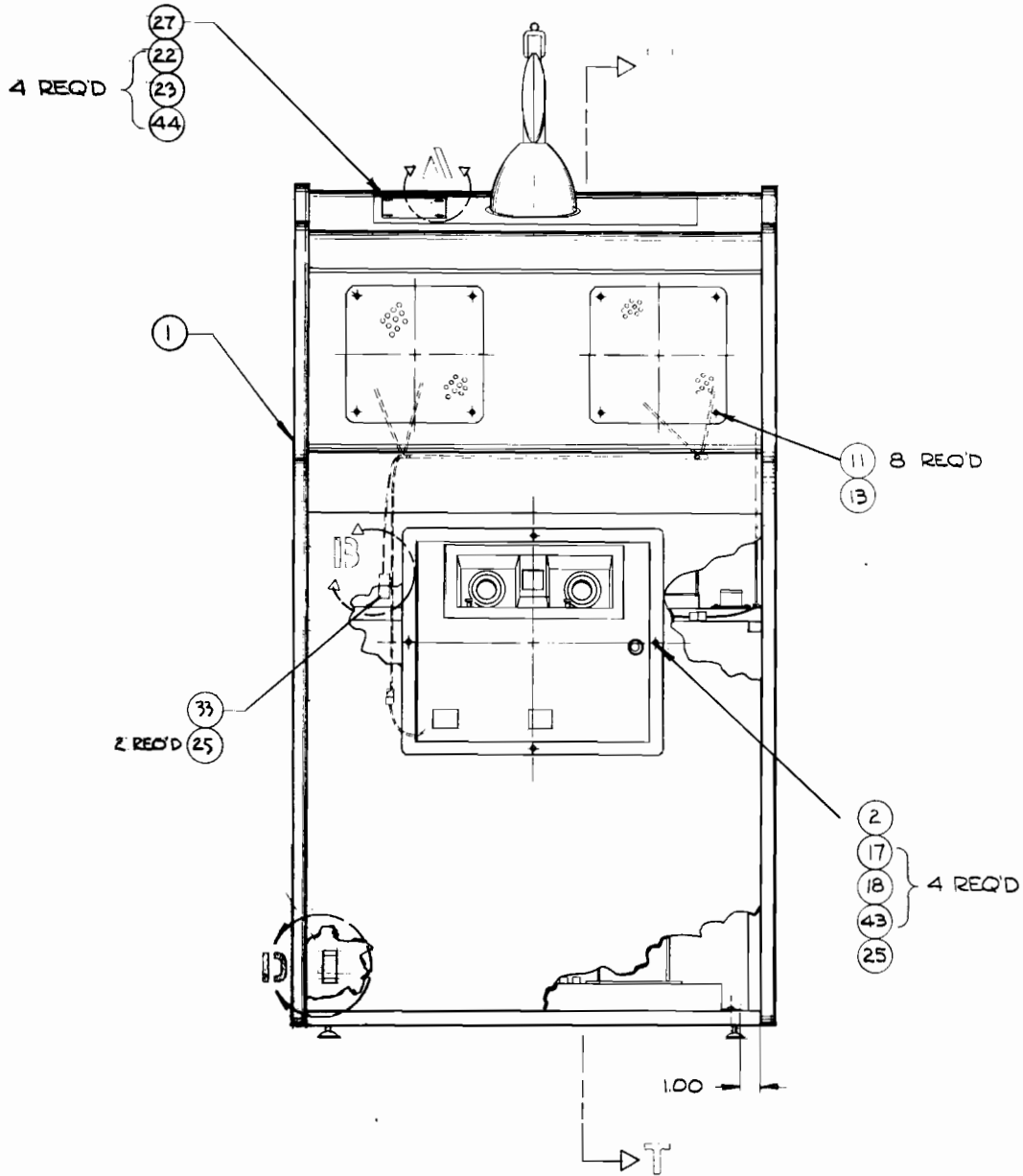


Figure 3 Gun Mount Cabinet Final Assembly
 A007939-01 B and -02 A

NOTICE TO ALL PERSONS RECEIVING THIS DRAWING
 CONFIDENTIAL. Reproduction forbidden without the
 specific written permission of Atari, Inc., Sunnyvale,
 California. This drawing is only conditionally issued and
 neither receipt nor possession thereof confers or transfers
 any right in, or license to use, the subject matter of the
 drawing or any design or technical information shown
 thereon, nor any right to reproduce this drawing or any part
 thereof, except for manufacture by vendors of Atari incor-
 porated and for manufacture under the corporation's writ-
 ten license no right to reproduce this drawing is granted or
 the subject matter thereof unless by written agreement
 with or written permission from the corporation.

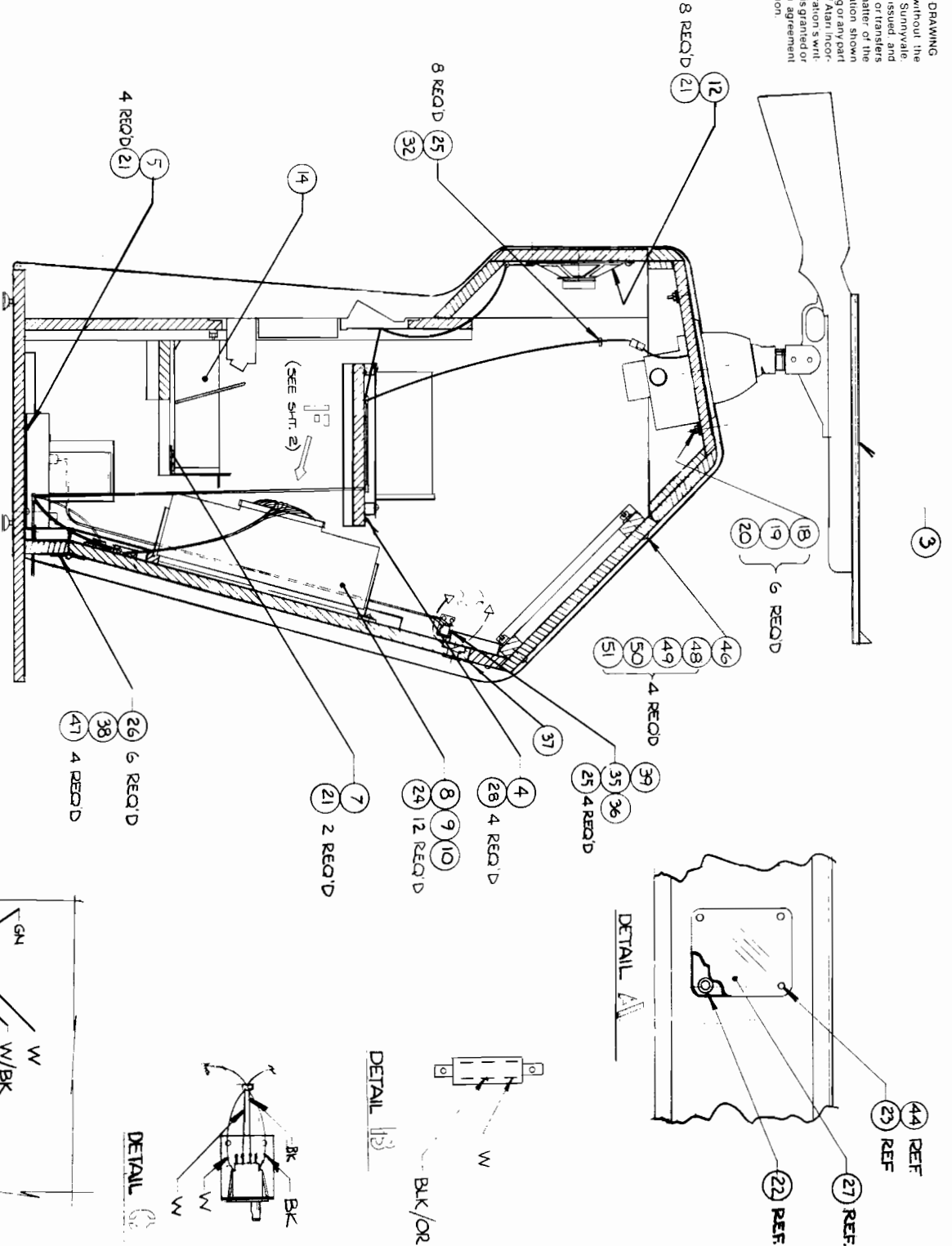


Figure 3 Gun Mount Cabinet Final Assembly
 A007939-01 B and -02 A

NOTICE TO ALL PERSONS RECEIVING THIS DRAWING
 CONFIDENTIAL. Reproduction forbidden without the
 specific written permission of Atari, Inc., Sunnyvale,
 California. This drawing is only conditionally issued and
 neither receipt nor possession thereof confers or transfers
 any right in, or license to use, the subject matter of the
 drawing or any design or technical information shown
 thereon, nor any right to reproduce this drawing or any part
 thereof, except for manufacture by vendors of Atari incor-
 porated and for manufacture under the corporation's writ-
 ten license; no right to reproduce this drawing is granted or
 the subject matter thereof unless by written agreement
 with or written permission from the corporation.

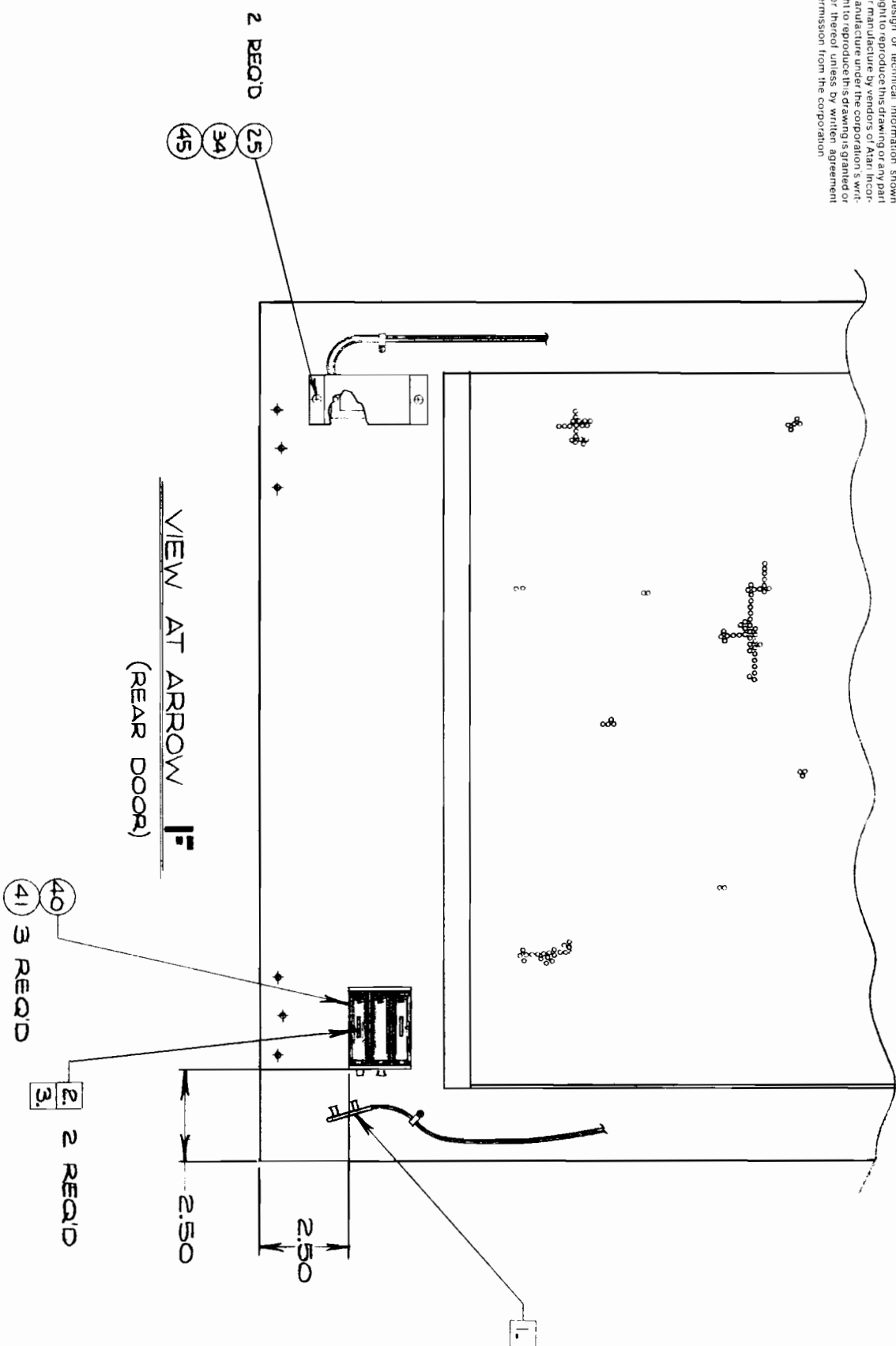


Figure 3 Gun Mount Cabinet Final Assembly
 A007939-01 B and -02 A



Figure 3 Gun Mount Cabinet Final Assembly
Parts List

| Item | Part Number | Qty. | Description |
|------|--------------|------|---|
| 1 | A007940-02 | 1 | Gun Mount, Cab., Assy W/Graphics |
| 2 | A009083-01 | 1 | Coin Door Assy. for American Quarter Only - See Figure 18. |
| | A009083-02 | Ref. | Coin Door Assy. for Belgian 5 Francs Only - See Figure 18. |
| | A009083-03 | Ref. | Coin Door Assy. for German Mark Only - See Figure 18. |
| | A009083-04 | Ref. | Coin Door Assy. for Swedish Krona Only - See Figure 18. |
| | A009083-05 | Ref. | Coin Door Assy. for Japanese 100 Yen Only - See Figure 18. |
| | A009083-06 | Ref. | Coin Door Assy. for English 10 Pence Only - See Figure 18. |
| | A009083-07 | Ref. | Coin Door Assy. for Australian 20-Cent Piece Only - See Figure 18. |
| 3 | A008315-02 | 1 | Rifle and Pot Mount Assembly - See Figure 17 |
| 4A | A007947-01 | 1 | Tape Deck and Shelf Assy. Used only on early production Gun Mount Cabinet Final Assembly, part number A007939-01. |
| 4B | A007947-02 | 1 | Tape Deck And Shelf Assembly Used only on later production Gun Mount Cabinet Final Assembly, part number A007939-02. See Figure 7. |
| 5 | A007197-01 | 1 | Power Supply Assembly - See Figure 6 |
| 7 | 006870-01 | 1 | Bracket, Coin Box |
| 8 | A005912-02 | 1 | R.F. Shield Box Assy (without Stops) |
| 9 | A008335-01 | 1 | R.F. Shield P.C.B. Assy - See Figure 9 |
| 10 | A007532-02 | 1 | Triple Hunt Game PCB Assembly - See Figure 10 |
| 11 | 73-77004 | 8 | Rivets, 3/16" O.D. x .68 Lg |
| 12 | 48-009 | 2 | 8" Speaker |
| 13 | 005419-01 | 2 | Speaker Grill |
| 14 | A007902-01 | 1 | Coin Box Assembly |
| 17 | 75-5516B | 4 | Bolt, Carriage, # $\frac{1}{4}$ -20 x 1.00" Lg. |
| 18 | 75-015S | 10 | Washer Flat $\frac{1}{4}$ |
| 19 | 75-045 | 6 | Washer Split Lock, $\frac{1}{4}$ |
| 20 | 75-915S | 6 | Nut, Hex $\frac{1}{4}$ -20 |
| 21 | 72-6812 | 14 | Screw, SM #8 x 3/4 Lg, Phil. Pan Hd. |
| 22 | 75-990090006 | 4 | Well - Nut Blind Hole Fastener |
| 23 | 82-8012 | 4 | 10-32 Button Hd Screw .75 Lg. |
| 24 | 72-6608 | 12 | Screw, SM., Pan Hd., Phil #6 x $\frac{1}{2}$ " Lg. |
| 25 | 72-6610 | 15 | Screw, SM., Pan Hd., Phil #6 x 5/8" Lg. |
| 26 | 82-1810 | 6 | Screws, Wood, Flat - Hd. Phil. #8 |
| 27 | 007950-01 | 1 | Instruction Plex (Witch Hunt) |
| 28 | 72-6620 | 4 | Screw, SM., Pan Hd., Phil #6 x 1.25" Lg. |
| 30 | A007953-XX | 1 | Shipping Container |
| 31 | | | |
| 32 | A008304-01 | 1 | Main Harness |
| 33 | A006548-01 | 1 | Slide Switch Assy |
| 34 | A006449-01 | 1 | Power On/Off Switch Assy |
| 35 | 68-002 | 1 | Interlock Switch (AC Power) |
| 36 | 000268-02 | 1 | Interlock Switch Brkt |



Figure 3 Gun Mount Cabinet Final Assembly
Parts List

| Item | Part Number | Qty. | Description |
|------|-------------|------|--|
| 37 | 005233-01 | 1 | Rear Door Seal |
| 38 | A007937-01 | 1 | Rear Door Assy (Lock&Hinge) |
| 39 | A008309-01 | 1 | Power Switch Harness |
| 40 | 79-3104 | 1 | Battery Holder (Chitose #33-3) |
| 41 | 90-406 | 3 | Alkaline Battery (Mallory or eqv.) size AA |
| 42 | 46-202302 | 2 | Fuses 3 AMP (Slow Blow) |
| 43 | 75-990505 S | 4 | # $\frac{1}{4}$ -20 Shallow Pattern Nylon Lock Nut |
| 44 | 75-07021 | 4 | Nylon Flat Washers - Black |
| 45 | 007103-01 | 1 | On/Off Switch Cover |
| 46 | A009151-01 | Ref | Top/Rear Angle |
| 47 | 82-1824 | 4 | Screw, Wood Flat Head, Phil., #8 x 1 x $\frac{1}{2}$ " Lg. |
| 48 | 75-5132B | 4 | Bolt, Carriage, #10-24 x 2.00" Lg. Blk |
| 49 | 75-010S | 4 | Washer Flat #10 |
| 50 | 75-040 | 4 | Washer Split Lock #10 |
| 51 | 75-931 | 4 | #10-24 Wing Nut |

NOTICE TO ALL PERSONS RECEIVING THIS DRAWING
 CONFIDENTIAL. Reproduction forbidden without the
 specific written permission of Atari, Inc., Sunnyvale,
 California. This drawing is only conditionally issued, and
 neither receipt nor possession thereof confers or transfers
 any right in or license to use, the subject matter of the
 drawing or any design or technical information shown
 thereon, nor any right to reproduce this drawing or any part
 thereof, except for manufacture by vendors of Atari Incor-
 porated and for manufacture under the corporation's writ-
 ten license; no right to reproduce this drawing's granted or
 the subject matter thereof unless by written agreement
 with or written permission from the corporation.

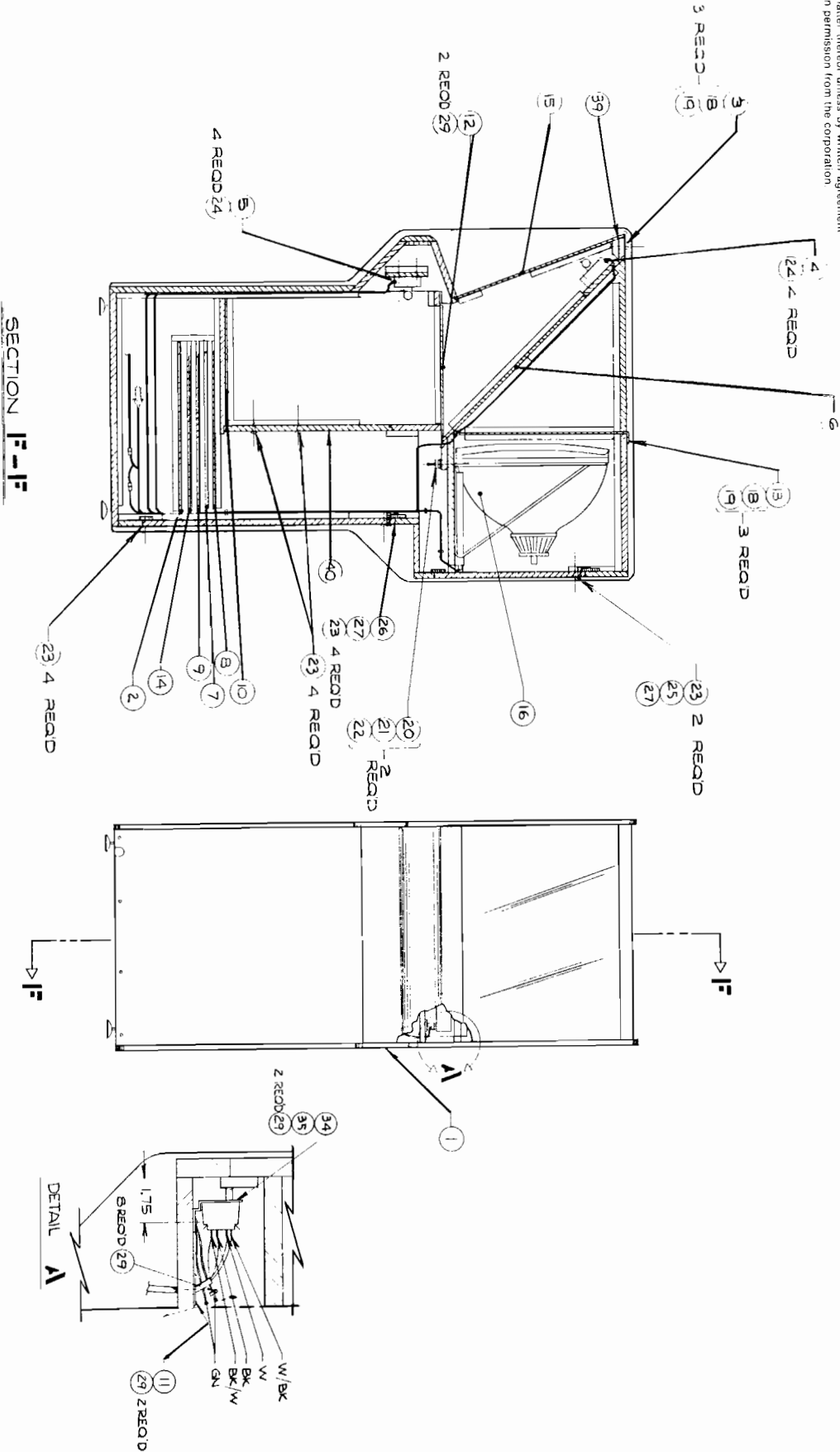


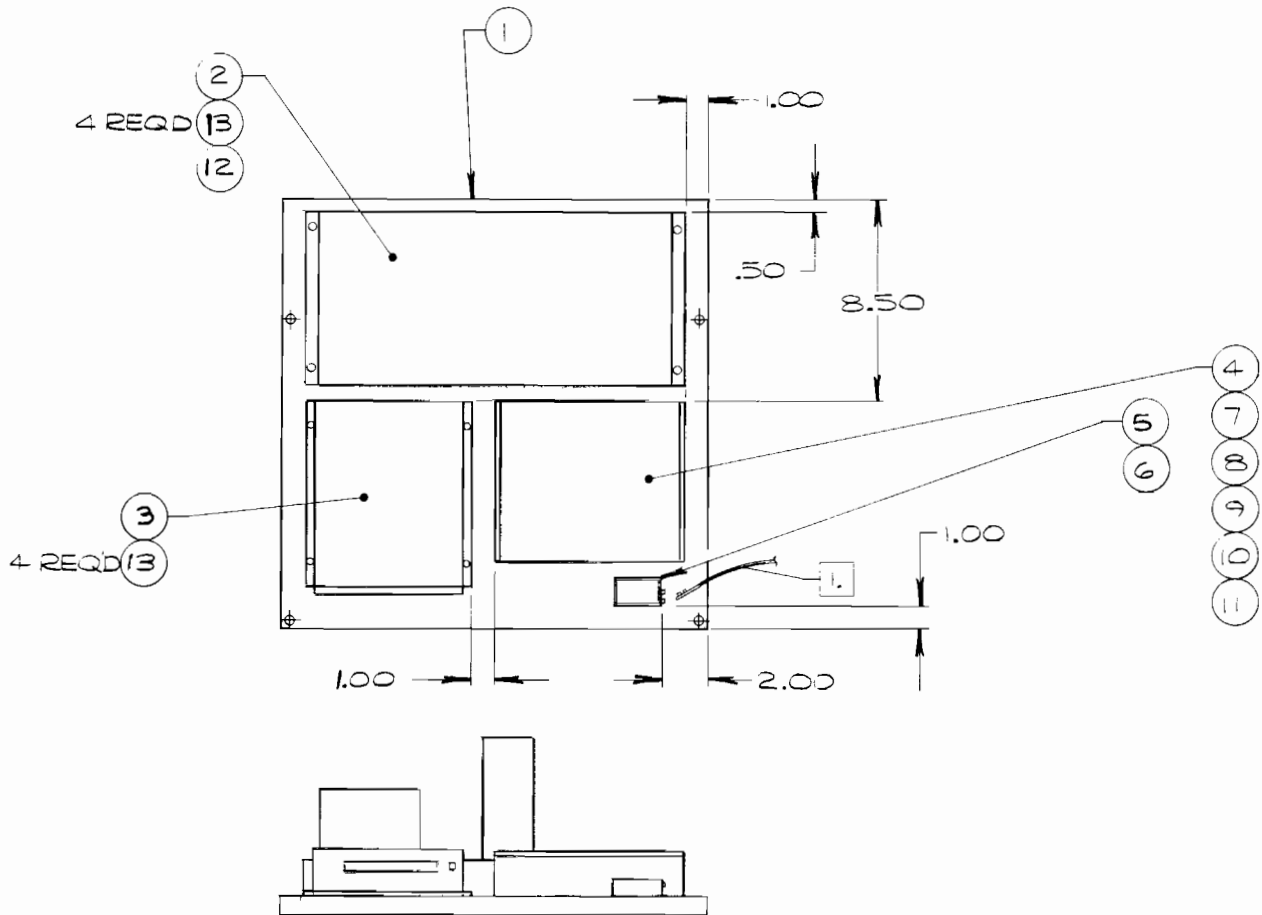
Figure 4 CRT Cabinet Assembly
 A008370-01 B



Figure 4 CRT Cabinet Assembly
Parts List

| Item | Part Number | Qty. | Description |
|------|-------------|------|--|
| 1 | A007960-02 | 1 | Cabinet Assy W/Graphics |
| 2 | 008361-01 | 1 | HIT THE BEAR Front Plex (Silkscreen) |
| 3 | 006819-01 | 1 | Plex Retainer |
| 4 | A008364-01 | 1 | Top Display Assy (BlackLight)-See Figure 13 |
| 5 | A008363-01 | 1 | Bottom Display Assy (BlackLight)-See Figure 14 |
| 6 | 008369-01 | 1 | Transparent Mirror |
| 7 | 008377-01 | 1 | Mask (Hit Bear/Coon Hunt) |
| 8 | 008453-01 | 1 | Card Board Graphics (Bear/Coon Hunt) |
| 9 | 008373-01 | 1 | Main Display (Hit Bear/Raccoon) |
| 10 | 008454-01 | 1 | Card Board Graphics (WITCH HUNT) |
| 11 | A006222-04 | 1 | Strain Relief Power Cord, Assy |
| 12 | 008374-01 | 1 | Main Display (WITCH HUNT) |
| 13 | 008376-01 | 1 | Cover Cap (mask) |
| 14 | 008362-01 | 1 | Raccoon Hunt Front Plex (Silkscreen) |
| 15 | 007957-01 | 1 | Witch Hunt Front Plex (Silkscreen) |
| 16 | A008365-01 | 1 | T.V. Shelf Assy - See Figure 16 |
| 17 | | | |
| 18 | 75-99090006 | 6 | Well Nut, Blind Hole Fastener |
| 19 | 82-8016 | 6 | Screw, Button Hd., Socket #10-32 x 1.00" Lg. |
| 20 | 75-015S | 2 | Flat Washer # $\frac{1}{4}$ |
| 21 | 75-045 | 2 | Lock Washer # $\frac{1}{4}$ |
| 22 | 75-915S | 2 | Hex Nut # $\frac{1}{4}$ -20 |
| 23 | 82-1824 | 10 | Screw, Wood, #8 x 1.50" Lg. Flat Hd Phil |
| 24 | 72-6620 | 8 | Screw, SM., Pan Hd., Phil., #6 x 1.25 Lg. |
| 25 | A008351-01 | 1 | Top Rear Door Assy w/Lock |
| 26 | A008353-01 | 1 | Lower Rear Door, Assy w/Lock |
| 27 | 005233-01 | 2 | Rear Door Seal |
| 28 | A008305-01 | 1 | CRT Harness |
| 29 | 72-6610 | 14 | Screw, SM., Pan Hd., Phil. #6 x 5/8" Lg. |
| 30 | | | |
| 31 | A007955-XX | 1 | Shipping Container (Main Cab.) |
| 32 | 006319-01 | 1 | Copy Right Decal |
| 33 | TM-091 | 1 | Tech. Manual. |
| 34 | 68-002 | 1 | Interlock Switch |
| 35 | 007227-01 | 1 | Interlock Switch Brkt |
| 36 | 008303-01 | 1 | Harness Schematic |
| 37 | | | |
| 38 | | | |
| 39 | 78-6601216 | A/R | Alum. Foil |
| 40 | 008340-01 | 1 | Inner Door |
| 41 | 006305-01 | 1 | Printed Poly Bag |

NOTICE TO ALL PERSONS RECEIVING THIS DRAWING
 CONFIDENTIAL Reproduction forbidden without the
 specific written permission of Atari Inc., Sunnyvale,
 California. This drawing is only conditionally issued, and
 neither receipt nor possession thereof confers or transfers
 any right in, or license to use, the subject matter of the
 drawing or any design or technical information shown
 thereon, nor any right to reproduce this drawing or any part
 thereof, except for manufacture by vendors of Atari Incor-
 porated and for manufacture under the corporation's writ-
 ten license; no right to reproduce this drawing is granted or
 the subject matter thereof unless by written agreement
 with or written permission from the corporation.



1. DISCONNECT BATTERY CLIP DURING STORAGE AND SHIPMENT.

Figure 5 Electronic Tray Assembly
 A009329-01 A



Figure 5 Electronic Tray Assembly
Parts List

| Item | Part Number | Qty. | Description |
|------|-------------|------|--|
| 1 | 009302-01 | 1 | Electronic Tray |
| 2 | A007197-01 | 1 | Power Supply Assembly - See Figure 6 |
| 3 | A008962-02 | 1 | Tape Deck Assembly - See Figure 8 |
| 4 | 81-701 | 1 | Box, Cardboard (All Good Industries) |
| 5 | 79-3104 | 1 | Battery Holder (Chitose #33-3) |
| 6 | 90-406 | 3 | Alkaline Battery (Mallory or Equiv.) Size AA |
| 7 | A008944-01 | 1 | Bear/Raccoon Tape |
| 8 | A008943-01 | 1 | Witch Hunt Tape |
| 9 | 007949-01 | 1 | Raccoon Instruction Plex |
| 10 | 007948-01 | 1 | Hit The Bear Instruction Plex |
| 11 | 008792-01 | 1 | Extended Play Scores |
| 12 | 46-202302 | 2 | Fuses 3 AMP (Slow Blow) |
| 13 | 72-6812 | 8 | Screw, Sht. Met. Phil. Pan Hd. #8 x 3/4" Lg. |

NOTICE TO ALL PERSONS RECEIVING THIS DRAWING
 CONFIDENTIAL. Reproduction forbidden without the
 specific written permission of Atari, Inc., Sunnyvale,
 California. This drawing is only conditionally issued, and
 neither receipt nor possession thereof confers or transfers
 any right in, or license to use, the subject matter of the
 drawing or any design or technical information shown
 thereon, nor any right to reproduce this drawing or any part
 thereof, except for manufacture by vendors of Atari Incor-
 porated and for manufacture under the corporation's writ-
 ten license, no right to reproduce this drawing is granted or
 the subject matter thereof unless by written agreement
 with or written permission from the corporation.

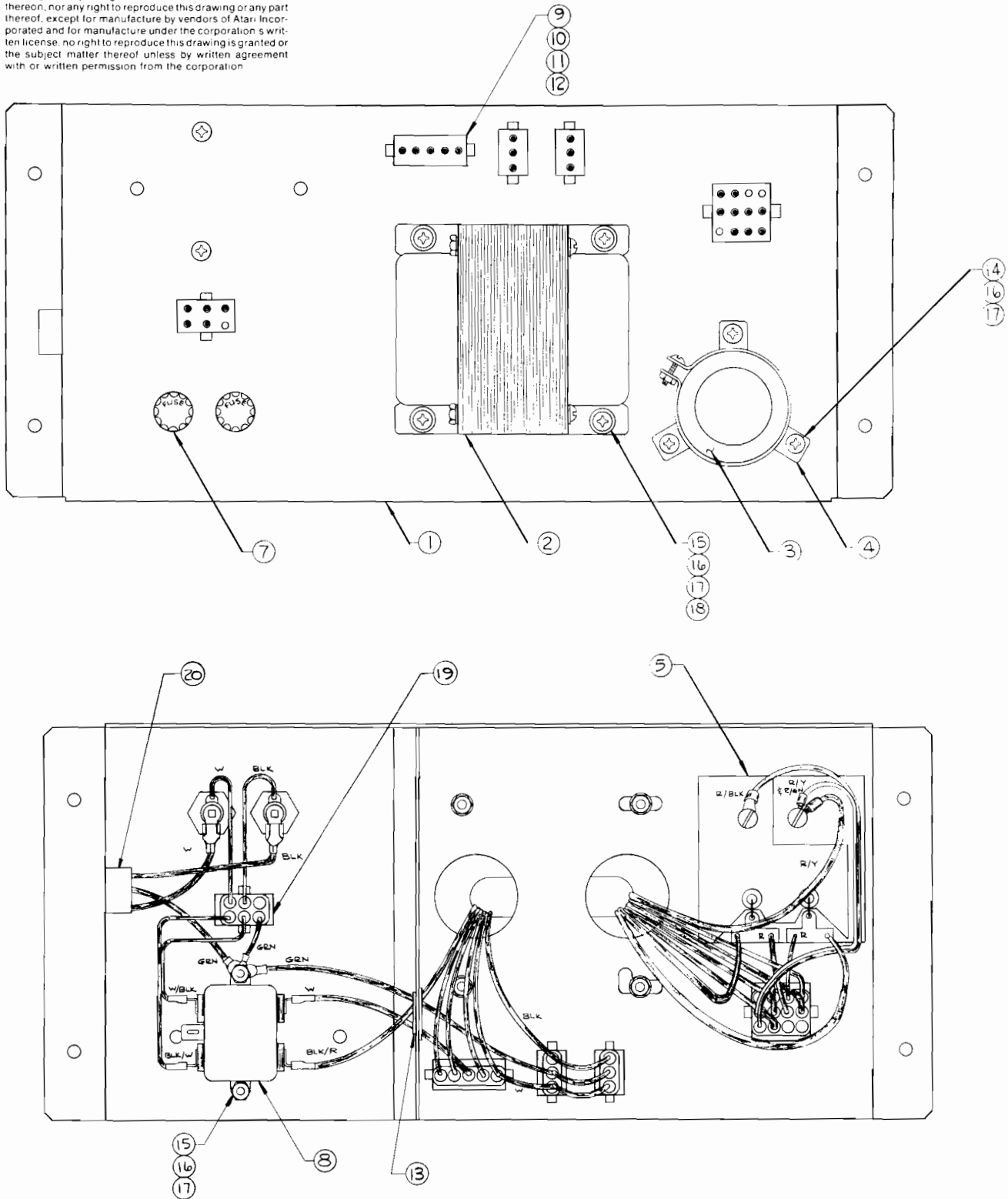


Figure 6 Power Supply Assembly
 A007197-01 D



Figure 6 Power Supply Assembly
Parts List

| Item | Part Number | Qty. | Description |
|------|-------------|------|---|
| 1 | A009266-01 | 1 | Power Supply Base Weldment Assembly |
| 2 | A006886-01 | 1 | Transformer Termination Assembly |
| 3 | 29-053 | 1 | Cap., Sprague Electrolytic 26,000µf @ 15V |
| 4 | 78-70501SC | 1 | Brkt., Cap. Mtg. Sprague #4586-48 |
| 5 | A006555-01 | 1 | P.C. Board Rectifier |
| 6 | | | |
| 7 | 79-4411004 | 2 | Fuse Holder, Panel Mounting |
| 8 | 41-2003 | 1 | Filter, Power Line, 5 AMP |
| 9 | A006958-C1 | A/R | Volt Sel Block 95V |
| 10 | A006958-02 | " | Volt Sel Block 110V |
| 11 | A006958-03 | " | Volt Sel Block 205V |
| 12 | A006958-04 | " | Volt Sel Block 220V |
| 13 | 78-2708 | 1 | Grommet, Plastic |
| 14 | 72-1808S | 3 | Screw, Pan Hd., #8-32 x ½" Lg. |
| 15 | 72-1812S | 6 | Screw, Pan Hd., #8-32 x ¾" Lg. |
| 16 | 75-058 | 9 | Washer, Lock, Internal Star #8 |
| 17 | 75-918S | 9 | Nut, Hex #8 |
| 18 | 75-018S | 4 | Washer, Flat #8 |
| 19 | A007192-01 | 1 | Power Switch Termination |
| 20 | A007444-01 | 1 | Power In Harness |

NOTICE TO ALL PERSONS RECEIVING THIS DRAWING
 CONFIDENTIAL. Reproduction, forbidden without the
 specific written permission of Atari, Inc., Sunnyvale,
 California. This drawing is only conditionally issued, and
 neither receipt nor possession thereof confers or transfers
 any right in, or license to use, the subject matter of the
 drawing or any design or technical information shown
 thereon nor any right to reproduce this drawing or any part
 thereof except for manufacture by vendors of Atari Incor-
 porated and for manufacture under the corporation's writ-
 ten license nor right to reproduce this drawing, granted or
 the subject matter thereof unless by written agreement
 with or written permission from the corporation.

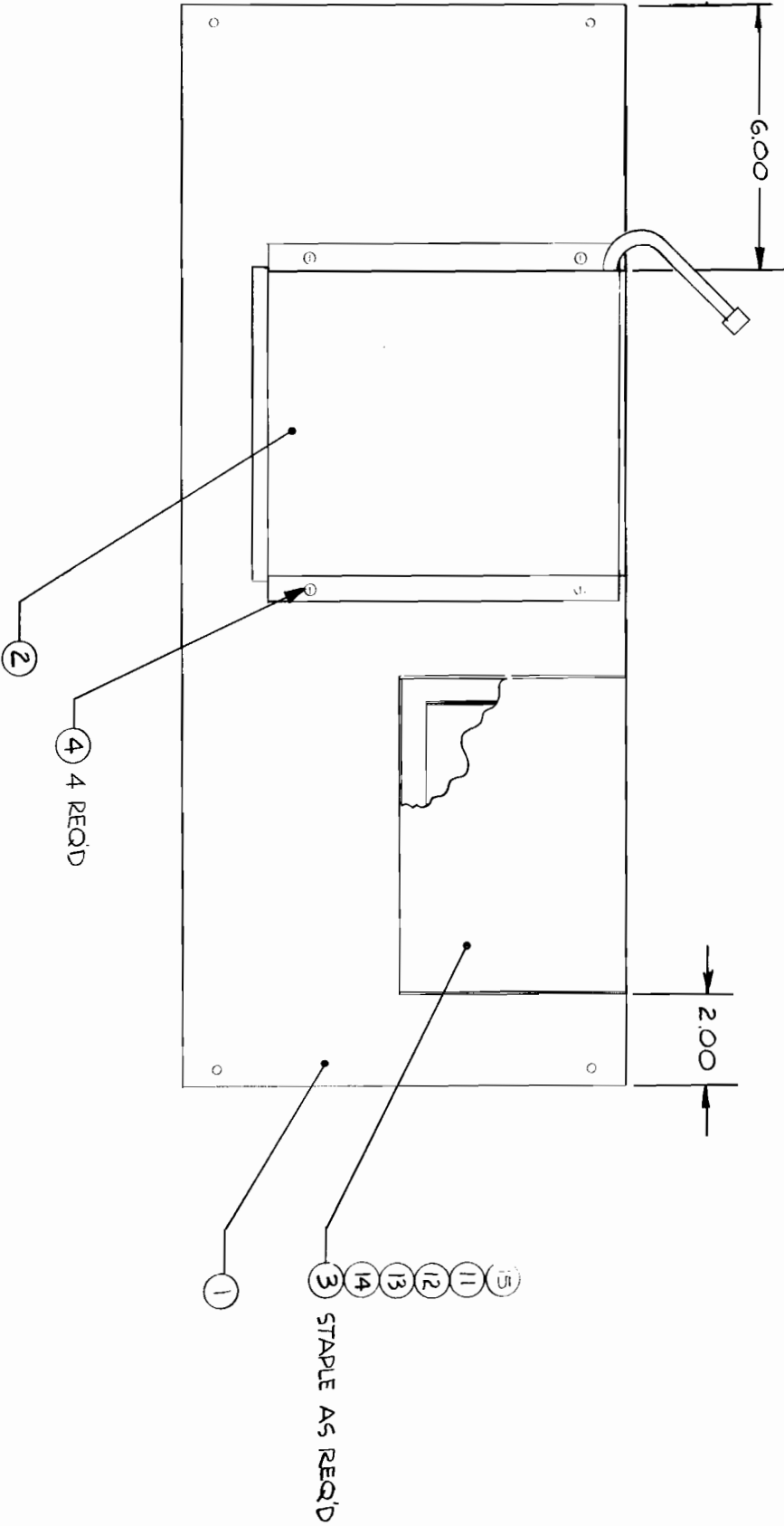


Figure 7 Tape Deck and Shelf Assembly
 A007947-02 C



Figure 7 Tape Deck and Shelf Assembly
Parts List

| Item | Part Number | Qty. | Description |
|------|-------------|------|--|
| 1 | 007929-01 | 1 | Shelf Tape Deck |
| 2A | A008962-01 | 1 | Tape Deck Assy Tape Deck Assembly. Used only on early production Two Cabinet Games. No piece parts are available. Replace entire Tape Deck Assembly with item 2B. |
| 2B | A008962-02 | 1 | Tape Deck Assembly - See Figure 8 |
| 3 | 81-701 | 1 | Box, Cardboard (All Good Industries) |
| 4 | 72-6612 | 4 | Screw, Sm, Pan Hd, Phil # 6 X 3/4" Lg. |
| 5 | | | |
| 6 | | | |
| 7 | | | |
| 8 | | | |
| 9 | | | |
| 10 | | | |
| 11 | A008944-01 | 1 | Bear/Raccoon Tape |
| 12 | A008943-01 | 1 | Witch Hunt Tape |
| 13 | 007949-01 | 1 | Raccoon Instruction Plex |
| 14 | 007948-01 | 1 | Hit The Bear Instruction Plex |
| 15 | 008792-01 | 1 | Extended Play scores |

NOTICE TO ALL PERSONS RECEIVING THIS DRAWING
 CONFIDENTIAL. Reproduction forbidden without the
 specific written permission of Alari, Inc., Sunnyvale
 California. This drawing is only conditionally issued and
 neither receipt nor possession thereof confers or transfers
 any right in or license to use, the subject matter of the
 drawing or any design or technical information shown
 thereon nor any right to reproduce this drawing or any part
 thereof, except for manufacture under the corporation's writ-
 ten license and for manufacture by vendors of Alari incor-
 porated and for manufacture under the corporation's writ-
 ten license. No right to reproduce this drawing is granted or
 the subject matter thereof unless by written agreement or
 with or written permission from the corporation.

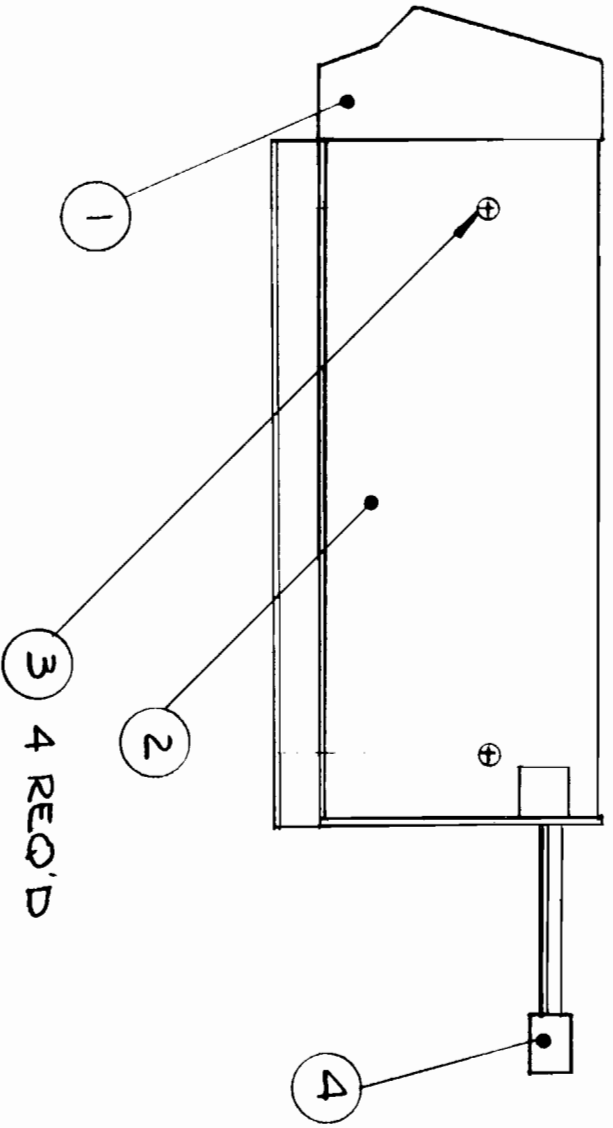
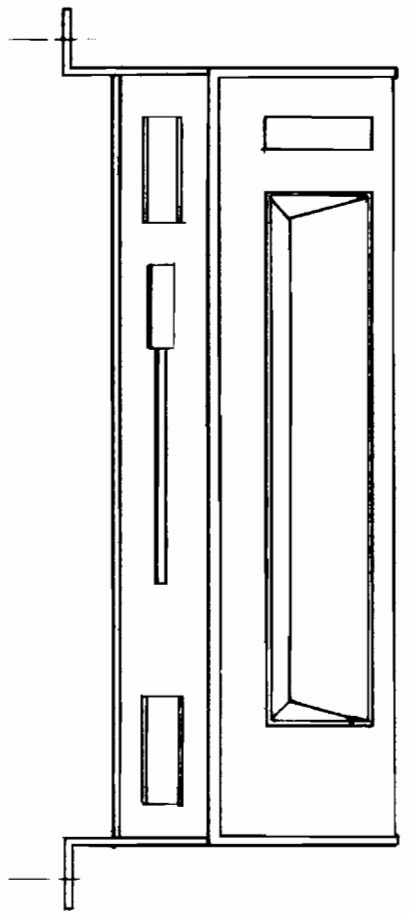



Figure 8 Tape Deck Assembly
 A008962-02 A



Figure 8 Tape Deck Assembly
Parts List

| Item | Part Number | Qty. | Description |
|------|-------------|------|----------------------------------|
| 1 | A008310-02 | 1 | Mecca Tape Deck, Wiring Assembly |
| 2 | 008961-02 | 1 | Tape Deck Cover (ABS) |
| 3 | 72-6606 | 4 | #6 x 3/8" Lg. SMS Screws |

 A Warner Communications Company

NOTICE TO ALL PERSONS RECEIVING THIS DRAWING
 CONFIDENTIAL. Reproduction forbidden without the
 specific written permission of Atari, Inc., Sunnyvale,
 California. This drawing is only conditionally issued, and
 neither receipt nor possession thereof confers or transfers
 any right in, or license to use, the subject matter of the
 drawing or any design or technical information shown
 thereon nor any right to reproduce this drawing or any part
 thereof except for manufacture by vendors of Atari Inc.
 incorporated and for manufacture under the corporation's writ-
 ten license no right to reproduce this drawing is granted or
 the subject matter thereof unless by written agreement
 with or written permission from the corporation

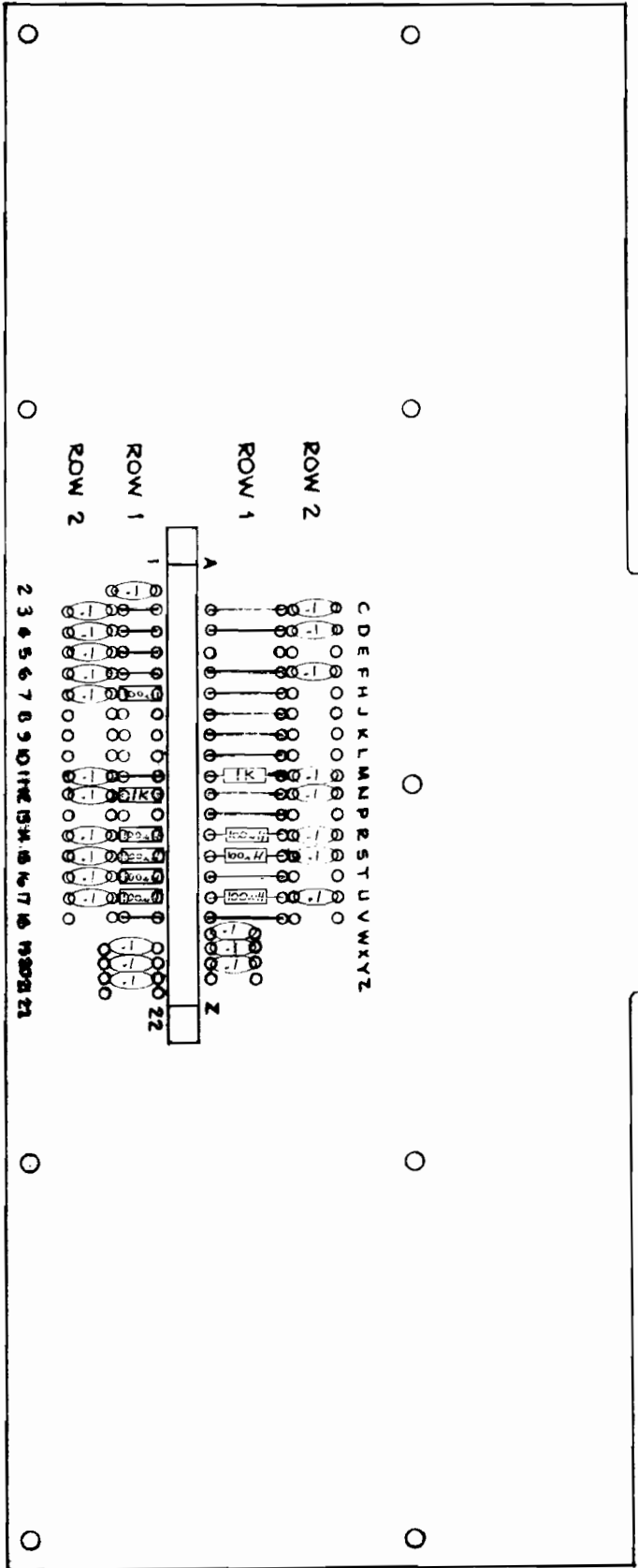


Figure 9 RF Shield PCB Assembly
 A008335-01 B



Figure 9 RF Shield PCB Assembly
Parts List

| Item | Part Number | Qty. | Description |
|------|-------------|------|--|
| 1 | 006549-01 | 1 | P.C. Board |
| 2 | 79-517222 | 1 | Connector, 44Pin P.C. Mount |
| 3 | 27-250104 | 26 | Cap, Cer. Disc, 0.1 μ f 25V |
| 4 | 52-003 | 13 | Jumper, .60 Centers |
| 5 | 52-004 | 11 | Jumper, .30 Centers |
| 6 | 41-3003 | 3 | Inductor, 100 μ h, Large Case |
| 7 | 41-3004 | 5 | Inductor, 100 μ h, Small Case |
| 8 | 10-5102 | 2 | Res, Carb. Comp., $\frac{1}{4}$ W, 5% 1K OHM |



Figure 10 Triple Hunt Game PCB Assembly
Parts List

| Item | Part Number | Qty. | Description |
|------|-------------|------|---|
| 1 | 007533-01 | 1 | PRINTED CIRCUIT BOARD |
| 2 | 10-5100 | 2 | RES, CARBON 5%, 1/4W, 10 OHM R11, 16 |
| 3 | 10-5102 | 25 | " " " " 1K " R1,2, 4-6, 8,13,17, 46,52,66-68, 72,102,91-96,107-109, III |
| 4 | 10-5103 | 13 | " " " " 10K " R10,15,45, 76,78,79,81-83, 86,89-90,80 |
| 5 | 10-5104 | 2 | " " " " 100K " R56,57 |
| 6 | 10-5105 | 2 | " " " " 1MEG " R47,75 |
| 7 | 10-5151 | 1 | " " " " 150 R3 |
| 8 | 10-5153 | 2 | " " " " 15K " R62,77 |
| 9 | | | |
| 10 | 10-5220 | 2 | " " " " 22 R7,12 |
| 11 | 10-5221 | 2 | " " " " 220 " R63,65 |
| 12 | 10-5222 | 3 | " " " " 2.2K R55,74,84 |
| 13 | 10-5224 | 2 | " " " " 220K " R48,51 |
| 14 | 10-5273 | 2 | " " " " 27K " R61,103 |
| 15 | 10-5301 | 1 | " " " " 300 " R100 |
| 16 | 10-5331 | 29 | " " " " 330 " R43,44,70,71,85, 18-25, 27-42 |
| 17 | 10-5332 | 1 | " " " " 3.3K " R59 |
| 18 | 10-5333 | 1 | " " " " 33K " R58 |
| 19 | 10-5392 | 1 | " " " " 3.9K " R54 |
| 20 | 10-5394 | 1 | " " " " 390K " R87 |
| 21 | 10-5471 | 3 | " " " " 470 " R64, 73,104 |
| 22 | 10-5472 | 2 | " " " " 4.7K " R9,14, |
| 23 | 10-5473 | 2 | " " " " 47K " R60,101 |
| 24 | 10-5203 | 1 | " " " " 20K " R45 |



Figure 10 Triple Hunt Game PCB Assembly
Parts List

| Item | Part Number | Qty. | Description |
|------|-------------|------|---|
| 25 | 10-5474 | 1 | Res Carbon, 5% 1/4W 470K OHM R50 |
| 26 | 10-5681 | 2 | Res Carbon, " " 680 " R110 ,69 |
| 27 | 10-5683 | 1 | " " " " 68K " R49 |
| 28 | 10-5822 | 1 | " " " " 8.2K " R53 |
| 29 | 14-1101 | 1 | " " 1% " 100 " R98 |
| 30 | 14-1102 | 1 | " " " " 1K " R99 |
| 31 | 14-1331 | 1 | " " " " 330 " R97 |
| 32 | 19-315102 | 1 | Trimpot, 1K R105 |
| 33 | 19-315254 | 1 | Trimpot, 250K R88 |
| 34 | 19-851WP075 | 1 | Res, Wirewound 5W .075 OHM R106 |
| 35 | 21-101103 | 1 | Cap, Mylar, .01μf C58 |
| 36 | | | |
| 37 | 24-250105 | 1 | Cap Electrolytic 1μf 25V C59, |
| 38 | 24-250505 | 1 | " " 5μf " C64 |
| 39 | 24-250107 | 3 | " " 100μf " C52,53,37 |
| 40 | 24-250227 | 1 | " " 220μf " C51 |
| 41 | 24-250477 | 1 | " " 470μf " C42 |
| 42 | 24-250108 | 3 | " " 1000μf " C60,61,62 |
| 43 | 24-250478 | 1 | " " 4700μf " C63 |
| 44 | 27-250102 | 2 | Cap, Ceramic Disc .001μf " C4, ,73 |
| 45 | 27-250103 | 2 | " " " .01μf " C38,48 |
| 46 | 27-250104 | 45 | " " " .1μf " C1-3,5-15,17, 22-32,35,36, 39-41,44,45, 46,49,50,54, 55,56,57,68, 66,43,70,72 |
| 47 | 28-101330 | 2 | Cap, Dipped Mica 33pf 100V C18,20 |
| 48 | 28-101680 | 2 | " " " 68pf 100V C19,21 |
| 49 | 28-101101 | 1 | " " " 100pf " C65 |



Figure 10 Triple Hunt Game PCB Assembly
Parts List

| Item | Part Number | Qty. | Description | |
|------|-------------|------|-------------------------|---|
| 50 | 28-101221 | 1 | " " " | 200pf " C47 |
| 51 | 31-1N4001 | 6 | Diode, 1N4001 | CR10-15 |
| 52 | 31-1N914 | 6 | " 1N914 | CR1-3, 16-18 |
| 53 | 31-MBD501 | 5 | " MBD-501 | CR4-8 |
| 54 | 33-2N3644 | 2 | Transistor 2N3644 | Q2, Q5 |
| 55 | 33-2N5193 | 1 | " 2N5193 | Q7 |
| 56 | 34-2N3643 | 1 | Transistor 2N3643 | Q4 |
| 57 | 34-2N5190 | 1 | " 2N5190 | Q6 |
| 58 | 34-MJE3300 | 1 | " MJE3300 | Q3 |
| 59 | 37-7400 | 10 | Integrated Circuit 7400 | A2,A6,A9,D5,D9 E7,H/J2,L8,R3 L2 |
| 60 | 37-74C00 | 1 | " " 74C00 | D8 |
| 61 | 37-7402 | 4 | " " 7402 | D6,L11,N3,N10 |
| 62 | 37-7404 | 7 | " " 7404 | A8,C6,H9,J6,J10 N2,M6 |
| 63 | 37-7408 | 6 | " " 7408 | B2,B3,C3,D3,L10 P2 |
| 64 | 37-7410 | 1 | " " 7410 | K8 |
| 65 | 37-7414 | 1 | " " 7414 | E12 |
| 66 | 37-7416 | 1 | " " 7416 | H11 |
| 67 | 37-7420 | 3 | " " 7420 | C8,H7,R5 |
| 68 | 37-7430 | 2 | " " 7430 | M5,P3 |
| 69 | 37-7432 | 2 | " " 7432 | C9,P11 |
| 70 | 37-7450 | 2 | " " 7450 | E6,K2 |
| 71 | 37-7474 | 12 | " " 7474 | D7, E8,F9,F10, K7,K10,L5,M10, N4,P10,R9,R10 |
| 72 | 37-7475 | 3 | " " 7475 | B9,B10,E5 |
| 73 | 37-7483 | 2 | " " 7483 | P6,R6 |
| 74 | 37-74S85 | 2 | " " 74S85 | M9,P9 |
| 75 | 37-7486 | 3 | " " 7486 | B8,E9,F8 |



Figure 10 Triple Hunt Game PCB Assembly
Parts List

| Item | Part Number | Qty. | Description | | | |
|------|-------------|------|-------------------------------------|---|---------|--------------------------|
| 76 | 37-74C89 | 1 | " | " | 74C89 | J5 |
| 77 | 37-7490 | 1 | " | " | 7490 | C7 |
| 78 | 37-7492 | 1 | " | " | 7492 | B6 |
| 79 | 37-74107 | 2 | " | " | 74107 | F6,H6 |
| 80 | 37-74153 | 1 | " | " | 74153 | F11 |
| 81 | 37-74156 | 1 | " | " | 74156 | E11 |
| 82 | 37-74164 | 2 | " | " | 74164 | A7,B7 |
| 83 | 37-74166 | 1 | " | " | 74166 | M4 |
| 84 | 37-74174 | 3 | " | " | 74174 | F5,K5,N11 |
| 85 | 37-74193 | 1 | " | " | 74193 | L7 |
| 86 | 37-74194 | 4 | " | " | 74194 | K1, L1, M2, M/N2 |
| 87 | 37-9301 | 2 | " | " | 9301 | C2,K6 |
| 88 | 37-9316 | 6 | " | " | 9316 | E10,H8,K9,J8, J9,P5 |
| 89 | 37-9321 | 1 | Integrated Circuit | | 9321 | L9 |
| 90 | 37-9322 | 5 | " | " | 9322 | E3,F3,N5,P4,R4 |
| 91 | 37-9334 | 1 | " | " | 9334 | J7 |
| 92 | 37-723 | 1 | " | " | 723 | J13 |
| 93 | 37-741 | 1 | " | " | 741 | J12 |
| 94 | 37-747 | 1 | " | " | 747 | D12 |
| 95 | 37-4066 | 1 | " | " | 4066 | H12 |
| 96 | 37-555 | 1 | " | " | 555 | C11 |
| 97 | 37-8T97 | 7 | " | " | 8T97 | E4,F4,F7,H4, K4,L4,L6 |
| 98 | 37-8225 | 7 | " | " | 8225 | N6,M7,M8,N7,N8, P7,P8 |
| 99 | 37-TDA1004 | 1 | " | " | TDA1004 | B12 |
| 100 | 34-2N6384 | 1 | Regulator | | 2N6384 | |
| 101 | 62-001 | 1 | Switch, Momentary SPST SW2 | | | |
| 102 | 66-118PIT | 1 | Switch, DIP 8 Stations SPST SW1 D11 | | | |



Figure 10 Triple Hunt Game PCB Assembly
Parts List

| Item | Part Number | Qty. | Description | |
|------|-------------|------|--|----------------|
| 103 | 72-1412C | 2 | Screw, Machine, Pan HD. PH. #4-40 X 3/4 Cres | |
| 104 | 72-034 | 2 | Washer Lock, External Star #4 | |
| 105 | 75-054 | 2 | Washer, Lock, Internal Star #4 | |
| 106 | 75-09014T | 2 | Washer, Shoulder | |
| 107 | 75-914C | 4 | Nut, Hex, #4-40, Cres | |
| 108 | 008412-01 | 1 | Heatsink, 2N6055 | |
| 109 | 78-06022 | 1 | Heatsink, TDA1004 | |
| 110 | 78-13016 | AR | Cement, Heatsink | |
| 111 | 78-16005 | 1 | Silpad | |
| 112 | 90-102 | 1 | Crystal, 12.096 MHz | Y1 |
| 113 | 90-6001 | 1 | I.C., Microprocessor | C4 |
| 114 | 90-6002 | 1 | I.C. | B/C5 |
| 115 | 90-7002 | 4 | I.C. | A1, B1, H3, K3 |
| 116 | 007749 | 10 | Bus Bar, 13-Post | |
| 133 | 008409-01 | 1 | Bear Character PROM 1 | L3 |
| 134 | 008410-01 | 1 | " " " 2 | M3 |
| 135 | 008422-01 | 1 | Bear Picture Rom A | R1 |
| 136 | 008423-01 | 1 | Bear Picture Rom B | N/P1 |
| 137 | 008790-01 | 1 | Bear Program Rom 1 | H-1 |
| 138 | 008791-01 | 1 | Bear Program Rom 2 | J-1 |
| 139 | 37-8 T28 | 1 | Intergrated Circuit 8T28 | J4 |
| 140 | 008789-01 | 1 | Jumper Cable, 14 Position | |
| 141 | 34-2N6044 | 1 | Transistor, 2N6044 | Q1 |
| 142 | 78-06017 | 2 | Heatsink | Q1, Q6 |
| 143 | 72-1406 | 2 | Screw, Mach, Pan Hd Ph, #4-40x3/8 | |
| 144 | | | | |
| 145 | 79-42040 | 1 | Socket, 40 Pin, Med. Insertion | C4 |
| 146 | 24-250106 | 1 | Cap, Electrolytic, 10µf, 25V | C71 |
| 147 | 21-101104 | 1 | Cap, Mylar 0.1µf, 100V | C69 |
| 148 | | | | |
| 149 | 78-16001 | A/R | Silicon Compound | Q1, Q6 |

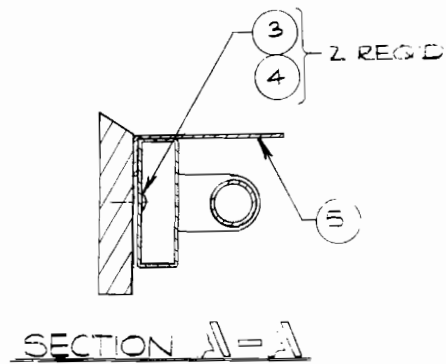
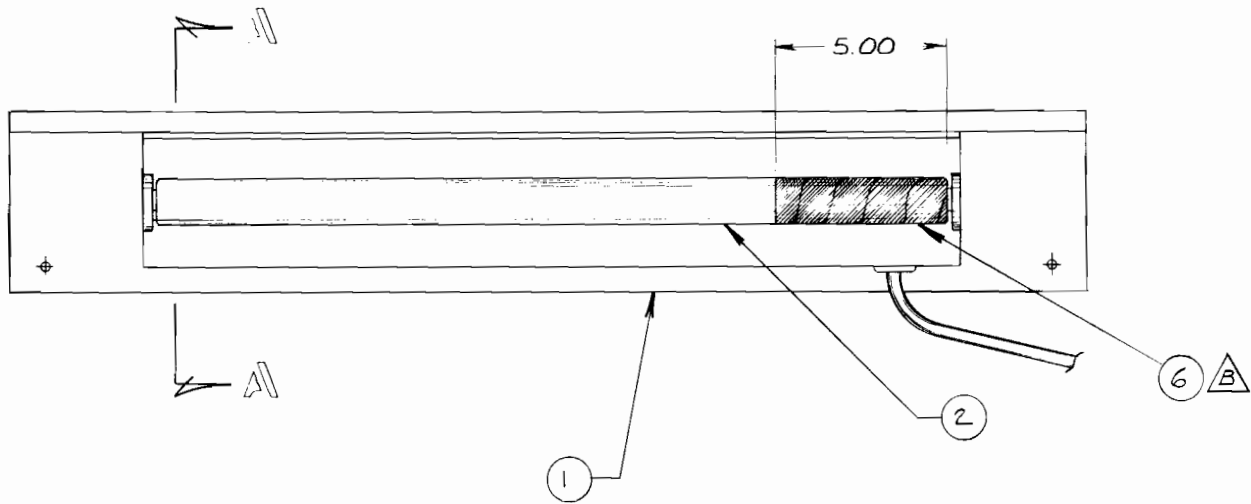


Figure 11 Single Cabinet Top Black Light Assembly
A009357-01 C



Figure 11 Single Cabinet Top Black Light Assembly
Parts List

| Item | Part Number | Qty. | Description |
|------|-------------|------|-----------------------------------|
| 1 | 009311-01 | 1 | Top Mount Board, Black-Lite |
| 2 | A006917-03 | 1 | Type A Fluorescent Light Assembly |
| 3 | 72-6610 | 2 | Screw, Sht. Met., #6 x 5/8" Lg. |
| 4 | 75-010S | 2 | Washer, Flat, #10 |
| 5 | 009363-01 | 1 | Metal Light Shield |
| 6 | 78-67032 | A/R | Black Phototape 2" wide |

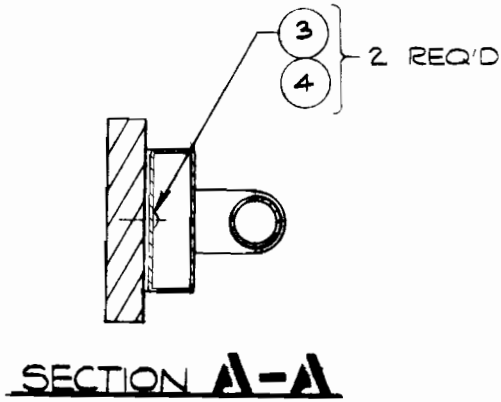
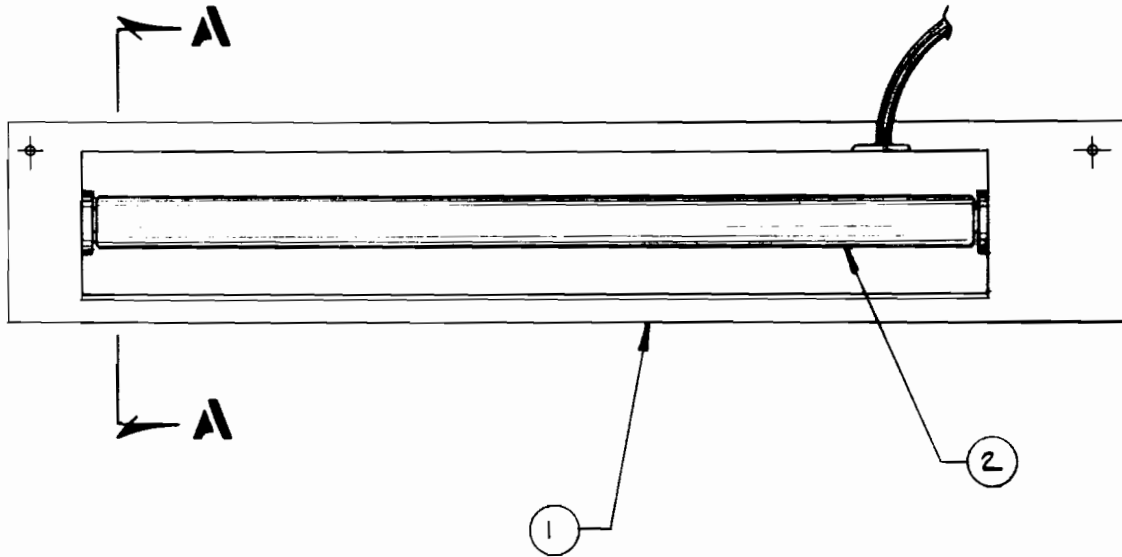


Figure 12 Single Cabinet Lower Black Light Assembly
A009337-01 B



Figure 12 Single Cabinet Lower Black Light Assembly
Parts List

| Item | Part Number | Qty. | Description |
|------|-------------|------|---|
| 1 | 009300-01 | 1 | Lower Mount Board, Black-Lite |
| 2 | A006917-11 | 1 | Fluorescent Light Assy Type A (18" Harness) |
| 3 | 72-6610 | 2 | Screw, Sht. Met., #6 x 5/8" Lg. |
| 4 | 75-010S | 2 | Washer, Flat, #10 |

NOTICE TO ALL PERSONS RECEIVING THIS DRAWING
 CONFIDENTIAL. Reproduction forbidden without the
 specific written permission of Atari, Inc., Sunnyvale,
 California. This drawing is only conditionally issued, and
 neither receipt nor possession thereof confers or transfers
 any right in or license to use the subject matter of the
 drawing or any design or technical information shown
 hereon, nor any right to reproduce this drawing or any part
 thereof, for any purpose, without the written consent of
 Atari, Inc. or its authorized agents. The information
 disclosed hereon is the property of Atari, Inc. and is
 licensed on a non-exclusive, non-transferable basis. No
 license, no right to reproduce, or any other agreement
 with or written permission from the corporation.

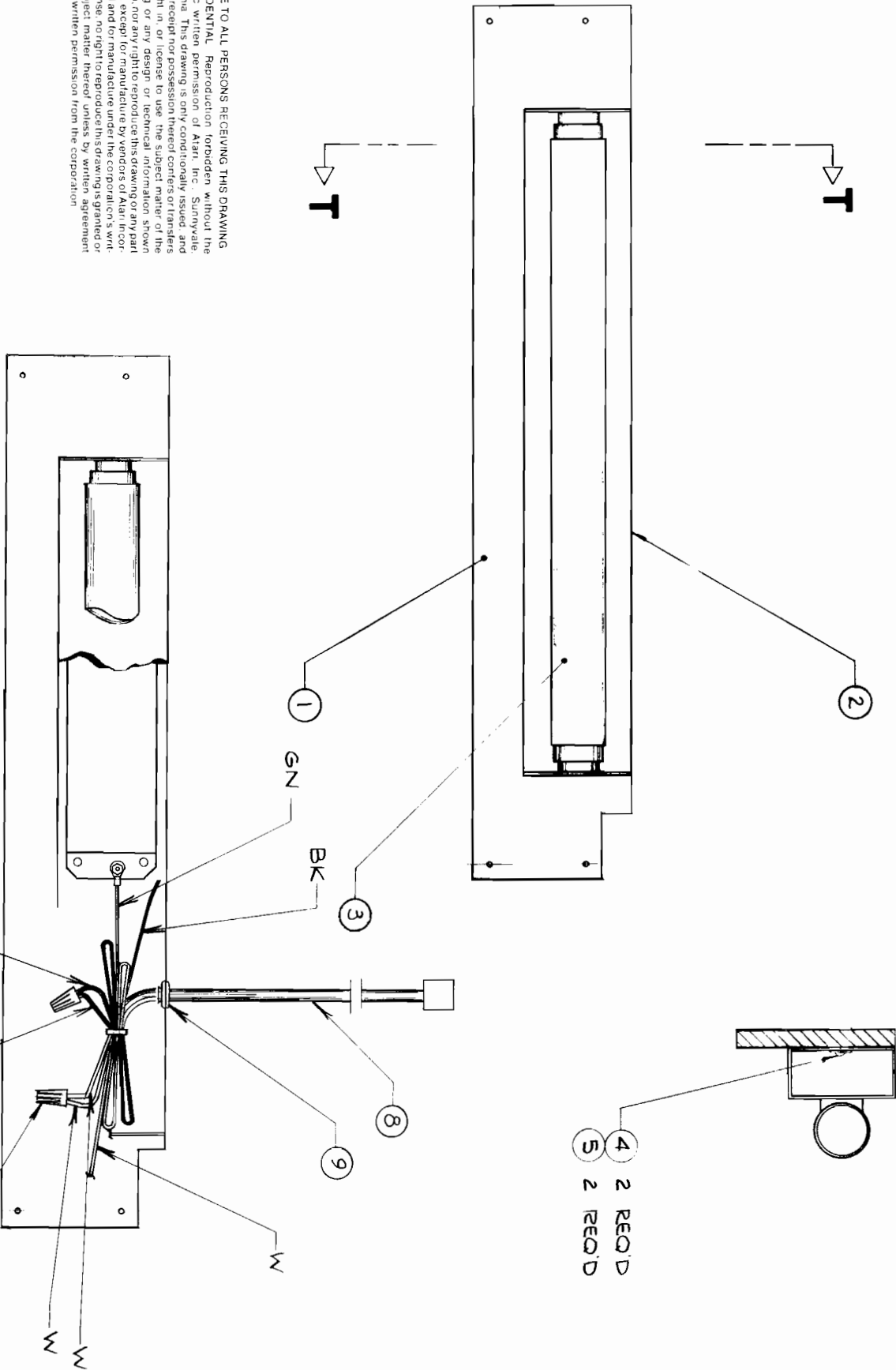


Figure 13 Two-Cabinet Top Display Assembly
 A008364-01 C



Figure 13 Two-Cabinet Top Display Assembly
Parts List

| Item | Part Number | Qty. | Description |
|------|-------------|------|----------------------------------|
| 1 | 007967-01 | 1 | Board, Light Mount, Top |
| 2 | 93-104 | 1 | Simkar Fluorescent Fixture 18" |
| 3 | 70-308 | 1 | Fluorescent Tube 18" (F15T8/BLB) |
| 4 | 72-6610 | 2 | #6 x 5/8 Screw sms |
| 5 | 75-010S | 2 | Washer, Flat #10 |
| 6 | | | |
| 7 | | | |
| 8 | A009062-02 | 1 | Fluorescent Harness 100" Lg. |
| 9 | 78-2652 | 1 | Grommet, Rubber |
| 10 | 78-24001 | A/R | Tie Wrap |
| 11 | 79-561816 | 2 | Wire Nut, Ideal 71-B |

NOTICE TO ALL PERSONS RECEIVING THIS DRAWING
 CONFIDENTIAL. Reproduction forbidden without the
 specific written permission of Alari, Inc., Sunnyvale,
 California. This drawing is only conditionally issued, and
 neither receipt nor possession thereof confers or transfers
 any right in, or license to use, the subject matter of the
 drawing or any design or technical information shown
 thereon, nor any right to reproduce this drawing or any part
 thereof, except for manufacture by vendors of Alari incor-
 porated and for manufacture under the corporation's writ-
 ten license. No right to reproduce this drawing is granted or
 the subject matter thereof unless by written agreement
 with or written permission from the corporation.

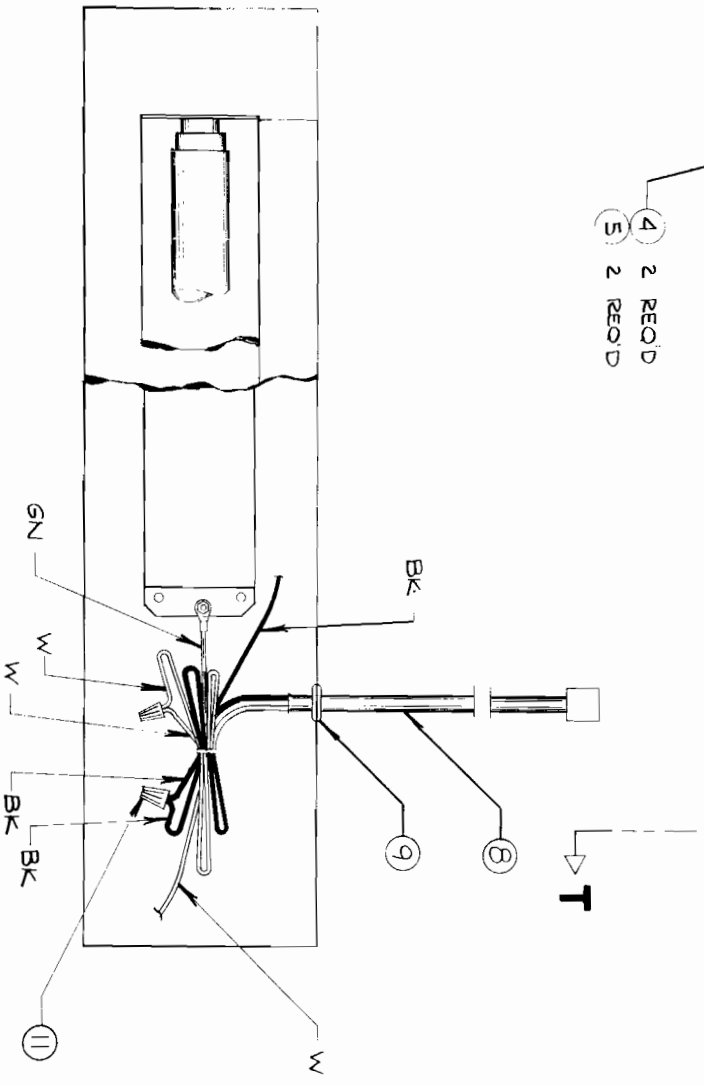
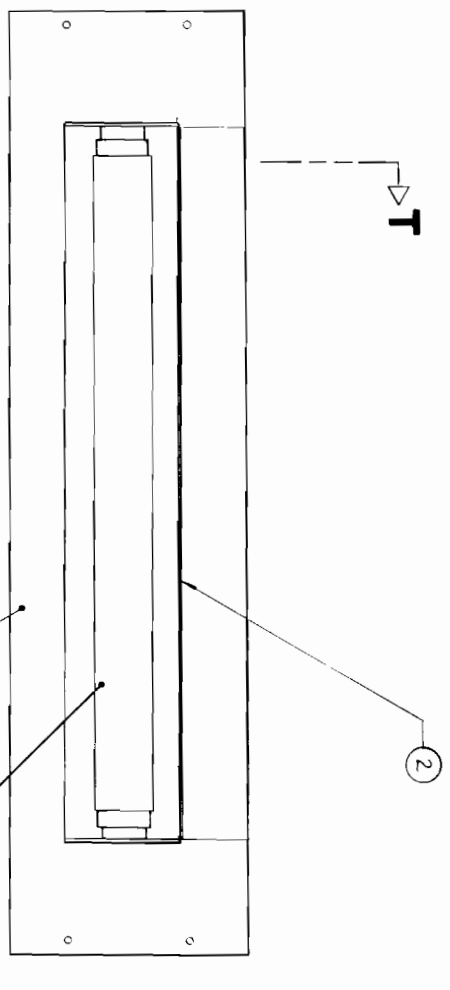
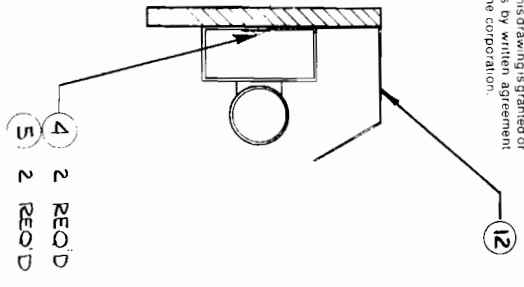


Figure 14 Two-Cabinet Bottom Display Assembly
 A008363-01 B



Figure 14 Two-Cabinet Bottom Display Assembly
Parts List

| Item | Part Number | Qty. | Description |
|------|-------------|------|--|
| 1 | 007964-01 | 1 | Board, Light Mount, Front |
| 2 | 93-104 | 1 | Fluorescent Fixture 18" |
| 3 | 70-306 | 1 | Fluorescent Tube 18" (Black - Lite F 15 T8/ BLB) |
| 4 | 72-6610 | 2 | #6x5/8 sms |
| 5 | 75-010S | 2 | Washer, Flat #10 |
| 6 | | | |
| 7 | | | |
| 8 | A006916-03 | 1 | Fluorescent Harness 82" Lg. |
| 9 | 78-2652 | 1 | Grommet, Rubber |
| 10 | 78-24001 | A/R | Tie Wrap |
| 11 | 79-561816 | 2 | Wire Nut, Ideal 71-B |
| 12 | 008375-01 | 1 | Metal Light Shield |

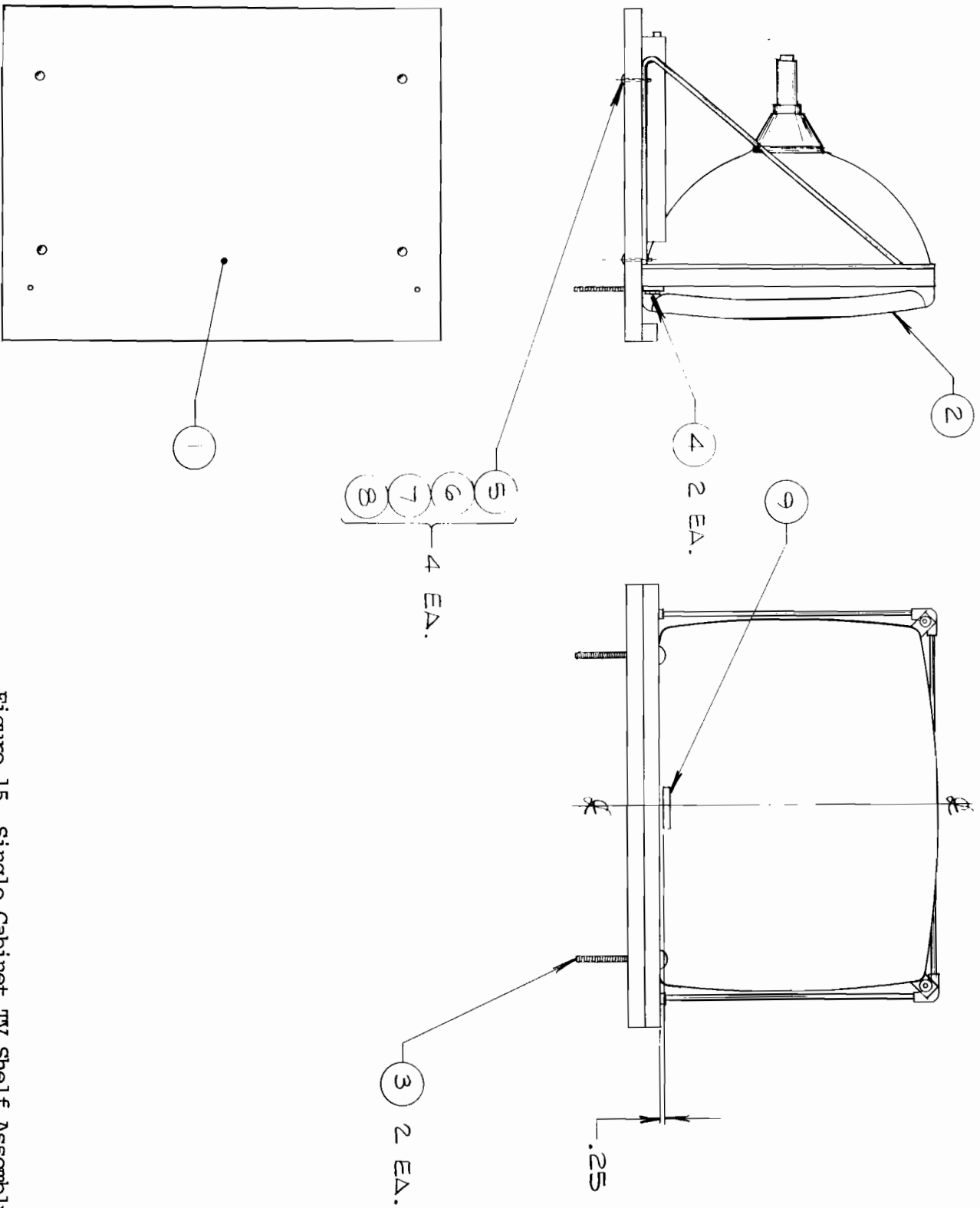


Figure 15 Single Cabinet TV Shelf Assembly
A009336-01 A



Figure 15 Single Cabinet TV Shelf Assembly
Parts List

| Item | Part Number | Qty. | Description |
|------|-------------|------|--|
| 1 | 009295-01 | 1 | T.V. SHELF |
| 2 | 92-032 | 1 | 23-inch TV Monitor, Motorola Model M7000-155 |
| | or | | |
| | 92-030 | 1 | 23-inch TV Monitor, TEC Model 623 |
| 3 | 82-404 | 2 | EYE BOLT $\frac{1}{4}$ -20 x 4" LG. |
| 4 | 72-6012 | 2 | SCREW, SHT. MET. PHIL. PAN HD. #10 x 3/4 LG. |
| 5 | 75-5120N | 4 | BOLT, CARRIAGE, #10-24 x 1.25" LG. |
| 6 | 75-010S | 4 | WASHER, FLAT, #10 |
| 7 | 75-040 | 4 | WASHER, SPLIT LOCK, #10 |
| 8 | 75-911S | 4 | HEX NUT, #10-24 |
| 9 | 006319-02 | 1 | COPYRIGHT DECAL, 1977 |

NOTICE TO ALL PERSONS RECEIVING THIS DRAWING
 CONFIDENTIAL. Reproduction forbidden without the
 specific written permission of Alari, Inc., Sunnyvale,
 California. This drawing is only conditionally issued and
 neither receipt nor possession thereof confers or transfers
 any right in, or license to use, the subject matter of the
 drawing or any design or technical information shown
 thereon nor any right to reproduce this drawing or any part
 thereof, except for manufacture under the corporation's writ-
 ten license, no right to reproduce this drawing is granted or
 the subject matter thereof unless by written agreement
 with or written permission from the corporation.

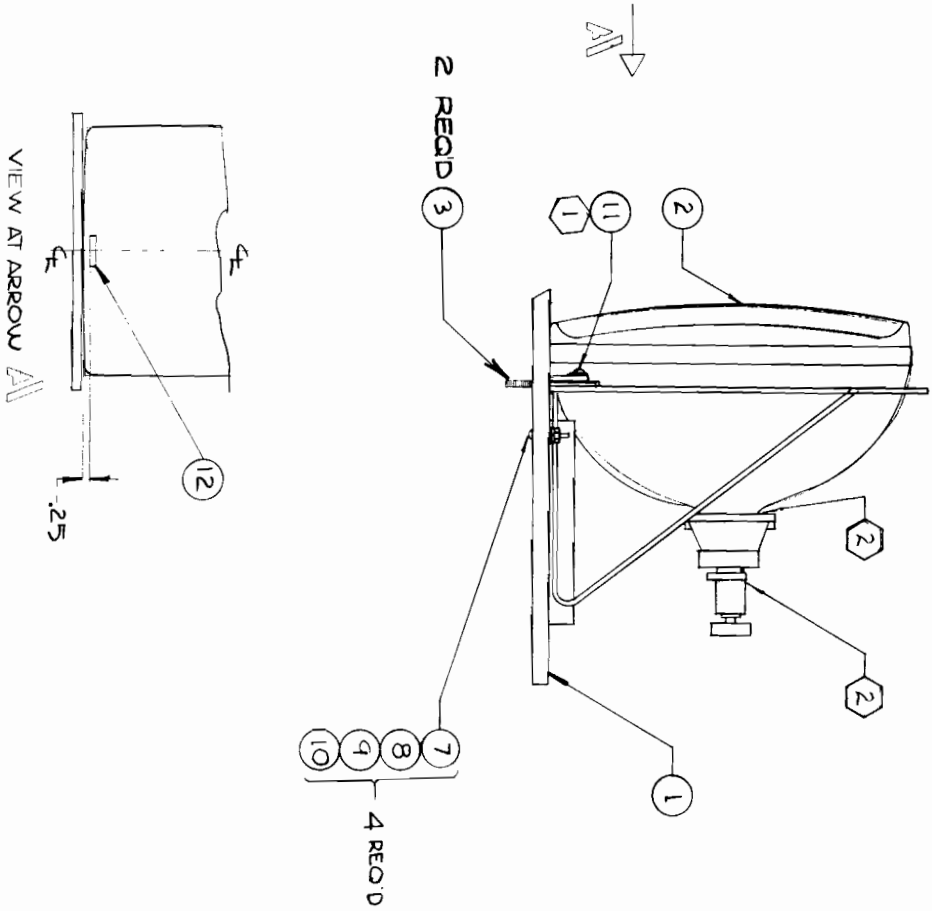
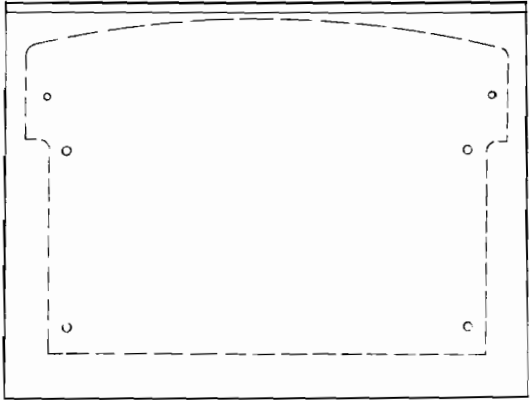


Figure 16 Two-Cabinet TV Shelf Assembly
 A008365-01 D



Figure 16 Two-Cabinet TV Shelf Assembly
Parts List

| Item | Part Number | Qty. | Description |
|------|--------------|-------|--|
| 1 | 008331-01 | 1 ref | T.V. SHELF |
| 2 | 92-032 | 1 | 23-inch TV Monitor, Motorola Model M7000-155 |
| | or 92-030 | 1 | 23-inch TV Monitor, TEC Model 623 |
| 3 | 82-404 | 2 | EYE BOLT, $\frac{1}{4}$ -20 x4 " LG. |
| 4 | | | |
| 5 | | | |
| 6 | | | |
| 7 | 75-5120N | 4 | BOLT, CARRIAGE #10-24 x 1.25" LG. |
| 8 | 75-010S | 4 | WASHER, FLAT #10 |
| 9 | 75-040 | 4 | WASHER, SPLIT-LOCK #10 |
| 10 | 75-911S | 4 | HEX NUT, #10-24 |
| 11 | 72-6012 | 2 | SCREW, SM #10 x 3/4 PH. PAN. HD. |
| 12 | 006319-02 | 1 | Copyright Decal 1977 |

NOTICE TO ALL PERSONS RECEIVING THIS DRAWING
 CONFIDENTIAL. Reproduction forbidden without the
 specific written permission of Atari, Inc. Sunnyvale,
 California. This drawing is only conditionally issued, and
 neither receipt nor possession thereof confers or transfers
 any right in or license to use the subject matter of the
 drawing or any design or technical information shown
 hereon nor any right to reproduce this drawing or any part
 thereof, except for manufacture by vendors of Atari incor-
 porated and for manufacture under the corporation's con-
 trolled supervision. No patent rights are granted or
 the subject matter thereof unless by written agreement
 with or written permission from the corporation.

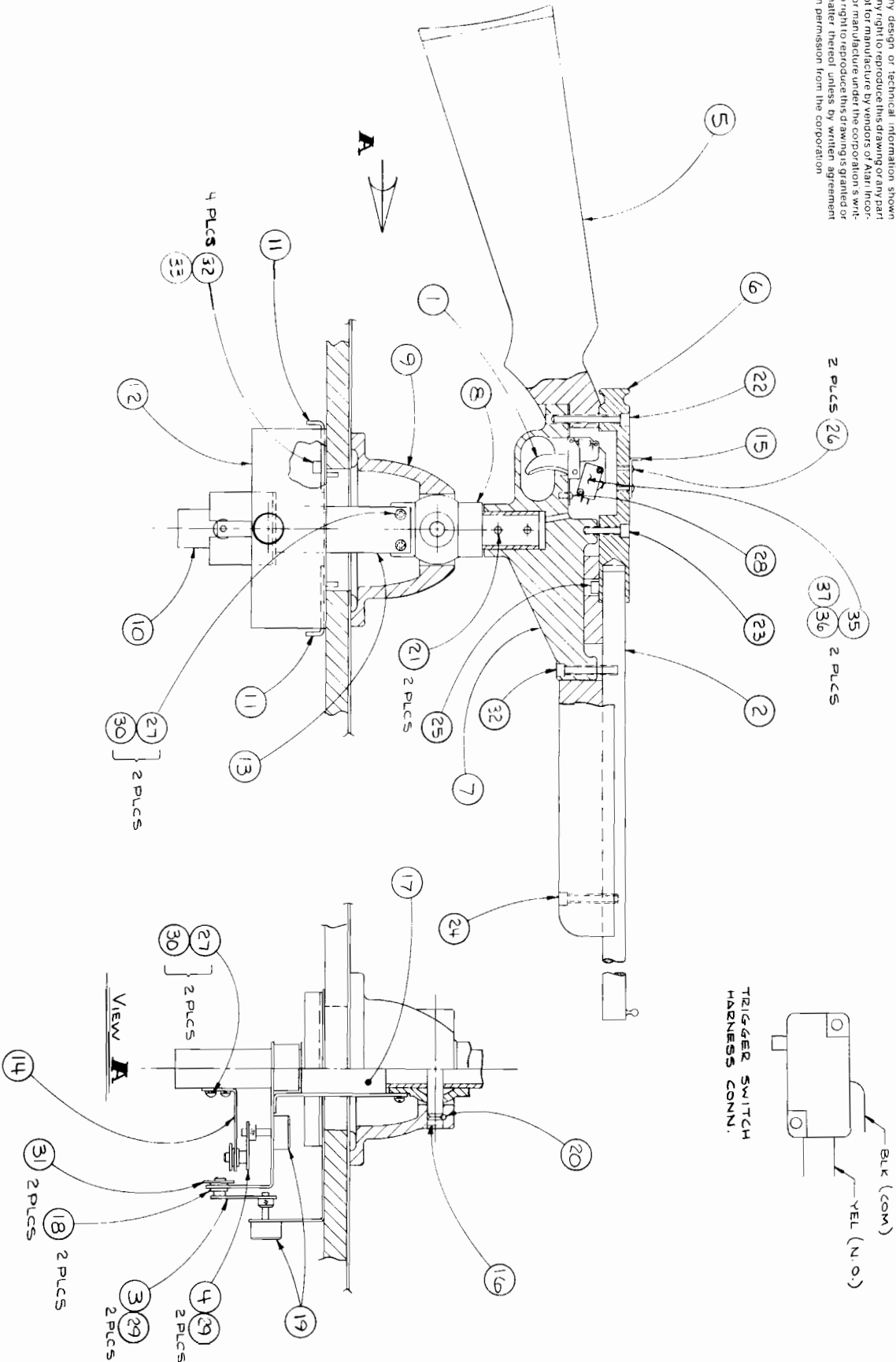


Figure 17 Rifle and Pot Mount Assembly
 A008315-01 B and -02 A

NOTICE TO ALL PERSONS RECEIVING THIS DRAWING
 CONFIDENTIAL. Reproduction forbidden without the
 specific written permission of Atari, Inc., Sunnyvale,
 California. This drawing is only conditionally issued and
 neither receipt nor possession thereof confers or transfers
 any right in, or license to use, the subject matter of the
 drawing or any design or technical information shown
 hereon, nor any right to reproduce this drawing or any part
 thereof, except for manufacture by vendors of Atari incor-
 porated and for manufacture under the corporation's writ-
 ten license; no right to reproduce this drawing is granted or
 the subject matter thereof, unless by written agreement
 with or written permission from the corporation.

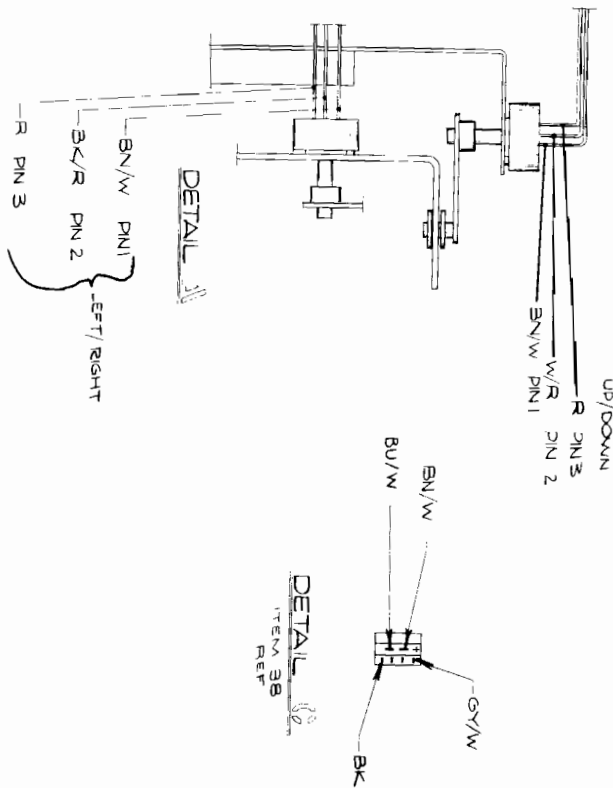
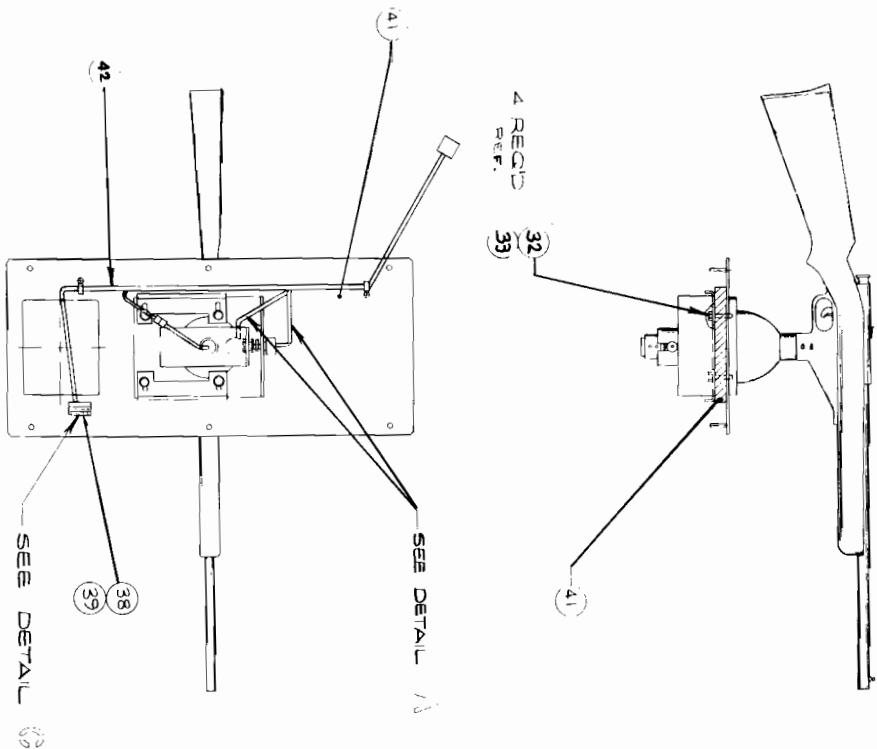


Figure 17 Rifle and Pot Mount Assembly
 A008315-01 B and -02 A



Figure 17 Rifle and Pot Mount Assembly
Parts List

NOTE:

The only difference between Rifle and Pot Mount Assembly part numbers A008315-01 and -02 is the -02 has a shorter gun barrel.

| Item | Part Number | Qty. | Description |
|------|-------------|------|---|
| 1 | A008833-01 | 1 | Trigger Switch Assembly |
| 2A | A008834-01 | 1 | Barrel Assembly - Used only on Single Cabinet games |
| 2B | A008834-02 | 1 | Barrel Assembly - Used only on Two-Cabinet games |
| 3 | A008840-01 | 1 | Pot Linkage |
| 4 | A008841-01 | 1 | Pot Linkage |
| 5 | 008317-01 | 1 | Rifle Stock |
| 6 | 008319-01 | 1 | Receiver |
| 7 | 008322-01 | 1 | Rifle Mount |
| 8 | 005309-01 | 1 | Ball |
| 9 | 005308-01 | 1 | Pot Mount |
| 10 | 005317-01 | 1 | Center Post |
| 11 | 005313-01 | 2 | Bumper Bracket |
| 12 | 005334-01 | 1 | Backing Plate |
| 13 | 005315-01 | 1 | Center Post Bracket |
| 14 | 005314-01 | 1 | Linkage Bracket |
| 15 | 008323-01 | 1 | Rear Sight |
| 16 | 005310-01 | 1 | Retaining Pin |
| 17 | 005312-01 | 1 | Rubber Stop |
| 18 | 005333-01 | 2 | Hub |
| 19 | 007903-01 | 2 | Special Pot |
| 20 | 73-20812 | 1 | Roll Pin |
| 21 | 73-21228 | 2 | Roll Pin, 3/16 x 1 3/4 Lg. |
| 22 | 72-8536 | 1 | Scr. Mach., 1/4-20 x 2.25 Lg. Soc. Hd. Blk |
| 23 | 72-8520 | 1 | Scr. Mach., 1/4-20 x 1.25 Lg. Soc. Hd. Blk |
| 24 | 72-852E | 1 | Scr. Mach., 1/4-20 x 1.75 Lg. Soc. Hd. Blk |
| 25 | 72-8804 | 1 | Scr. Mach., 8-32 x .25 Lg. Soc. Hd. Blk |
| 26 | 75-3406 B | 2 | Scr. Mach., 4-40 x .38 Lg. Flat Hd. Blk |
| 27 | 72-1806S | 4 | Scr. Mach., 8-32 x .38 Lg. Pan Hd. |
| 28 | 72-1605C | 1 | Scr. Mach., 6-32 x .31 Lg. Rd. Hd. |
| 29 | 75-4606 | 4 | Scr. Set, 6-32 x .38 Lg. Allen |
| 30 | 75-048 | 4 | Washer, #8, Split-Lock |
| 31 | 73-3001 | 2 | Retaining 'E' Ring (1/4 Shaft) |
| 32 | 72-8524 | 5 | Screw, Mach., 1/4-20 x 1.50 Lg. Soc. Hd. |
| 33 | 75-045 | 4 | Washer, #1/4, Split-Lock |
| 34 | A008308-01 | 1 | Trigger Switch Harness |
| 35 | 65-191C | 1 | Switch, Cherry |
| 36 | 72-1408C | 2 | Screw, Mach., #4-40 x 1/2 Lg. |
| 37 | 75-044 | 2 | Washer, #4, Split-Lock |
| 38 | 62-002 | 1 | L.E.D. Switch |
| 39 | 001856-01 | 1 | Alum. Bushing |



Figure 17 Rifle and Pot Mount Assembly
Parts List

| Item | Part Number | Qty. | Description |
|------|-------------|------|------------------------------------|
| 40 | 007951-01 | 1 | Gun Mount Control Panel W/Graphics |
| 41 | 007919-01 | 1 | Gun Mount Spacer |
| 42 | A008307-01 | 1 | Control Panel Harness |

NOTICE TO ALL PERSONS RECEIVING THIS DRAWING:
 CONFIDENTIAL. Reproduction forbidden without the
 specific written permission of Atari, Inc., Sunnyvale,
 California. This drawing is only conditionally issued and
 neither receipt nor possession thereof confers or transfers
 any right in, or license to use, the subject matter of the
 drawing or any design or technical information shown
 thereon, nor any right to reproduce this drawing or any part
 thereof, except for manufacture by vendors of Atari Incor-
 porated and for manufacture under the corporation's writ-
 ten license; no right to reproduce this drawing is granted or
 the subject matter thereof unless by written agreement
 with or written permission from the corporation.

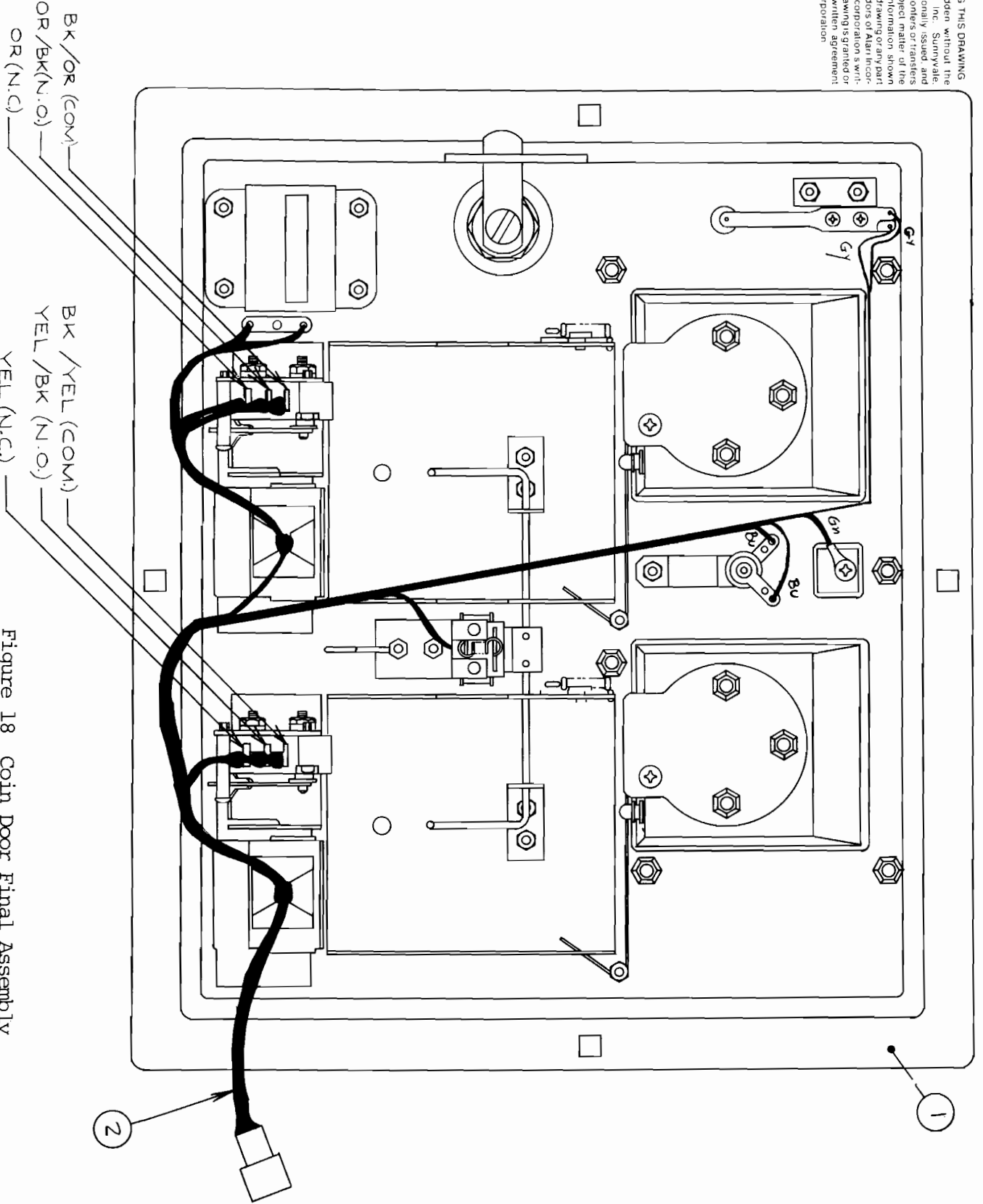


Figure 18 Coin Door Final Assembly
 A009083-01 through -07 C



Figure 18 Coin Door Final Assembly
Parts List

| Item | Part Number | Qty. | Description |
|------|-------------|------|--|
| 1 | A006794-01 | 1 | Coin Door Assy. for American Quarter Only - See Figure 19. |
| | A006794-02 | Ref. | Coin Door Assy. for Belgian 5 Francs Only - See Figure 19. |
| | A006794-03 | Ref. | Coin Door Assy. for German Mark Only - See Figure 19. |
| | A006794-04 | Ref. | Coin Door Assy. for Swedish Krona Only - See Figure 19 |
| | A006794-05 | Ref. | Coin Door Assy. for Japanese 100 Yen Only - See Figure 19. |
| | A006794-06 | Ref. | Coin Door Assy. for English 10 Pence Only - See Figure 19 |
| | A006794-07 | Ref. | Coin Door Assy. for Australian 20-Cent Piece Only - See Figure 19. |
| 2 | A006921-01 | 1 | Harness Assembly |

NOTICE TO ALL PERSONS RECEIVING THIS DRAWING
 CONFIDENTIAL. Reproduction forbidden without the
 specific written permission of Alari Inc. Sunnyvale
 California. This drawing is only conditionally issued and
 neither receipt nor possession thereof confers or transfers
 any right in, or license to use, the subject matter of the
 drawing or any design or technical information shown
 thereon, nor any right to reproduce this drawing or any part
 thereof, except for manufacture by vendors of Alari incor-
 porated and for manufacture under the corporation's writ-
 ten license; no right to reproduce this drawing is granted or
 the subject matter thereof unless by written agreement
 with or written permission from the corporation.

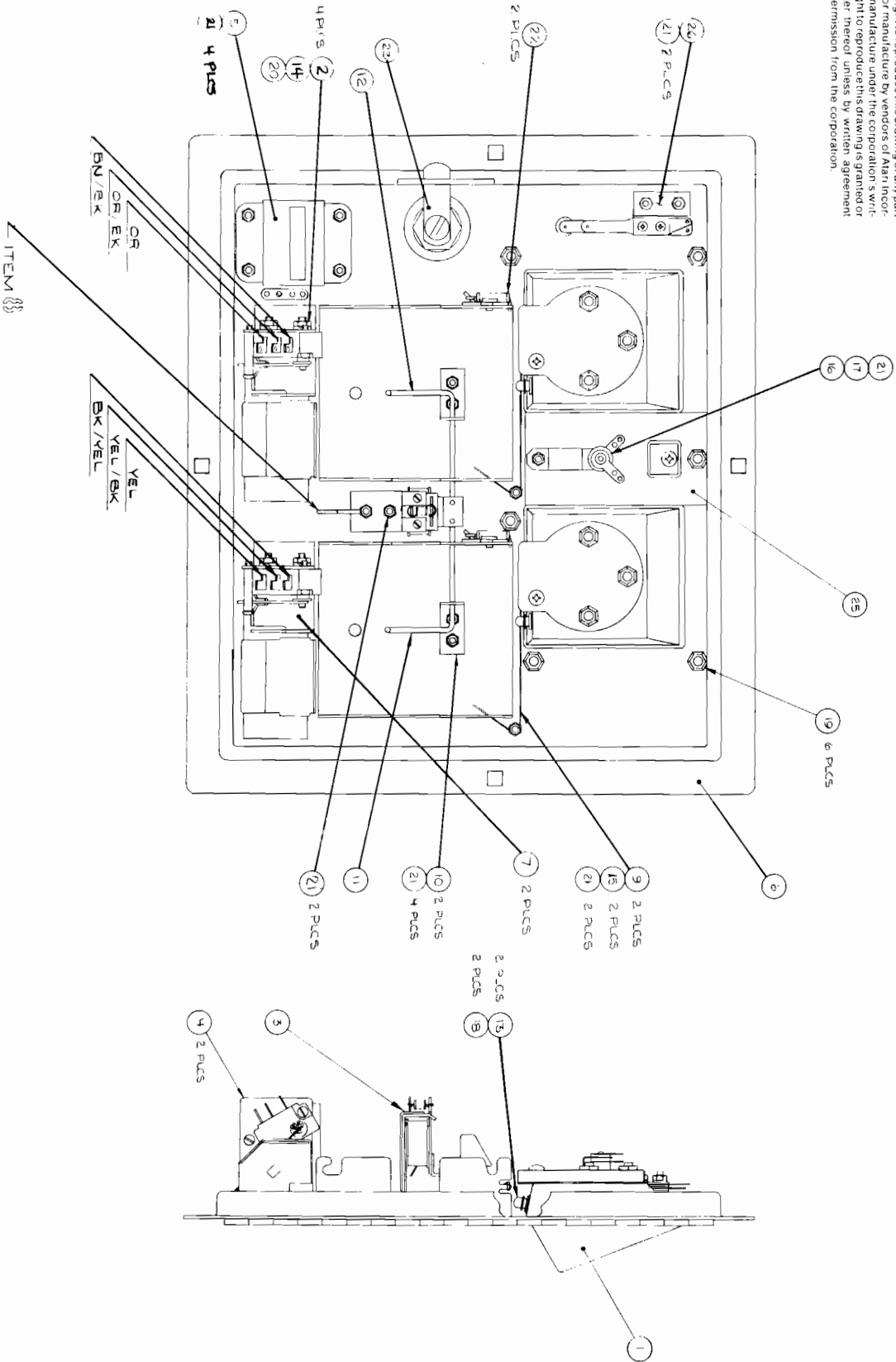


Figure 19 Coin Door Assembly
 A006794-01 E



Figure 19 Coin Door Assembly
Parts List

| Item | Part Number | Qty. | Description |
|------|-------------|------|--|
| 1 | A007637-01 | 1 | Front Bezel Assy. - Used only on -01 Coin Door Assy. |
| | A007637-02 | Ref. | Front Bezel Assy. - Used only on -02 Coin Door Assy. |
| | A007637-03 | Ref. | Front Bezel Assy. - Used only on -03 Coin Door Assy. |
| | A007637-04 | Ref. | Front Bezel Assy. - Used only on -04 Coin Door Assy. |
| | A007637-05 | Ref. | Front Bezel Assy. - Used only on -05 Coin Door Assy. |
| | A007637-06 | Ref. | Front Bezel Assy. - Used only on -06 Coin Door Assy. |
| | A007637-07 | Ref. | Front Bezel Assy. - Used only on -07 Coin Door Assy. |
| 2 | 75-9165 | 4 | Nut 6-32 |
| 3 | A007639-01 | 1 | Coin Lock-Out Assembly |
| 4 | A007640-01 | 2 | Coin Switch Assembly |
| 5 | A002465-01 | 1 | Coin Counter Assembly |
| 6 | 004320-01 | 1 | Coin Door Weldment |
| 7 | 004341-01 | 2 | Secondary Coin Chute |
| 8 | 004344-01 | 1 | Key Loop |
| 9 | 004340-01 | 2 | Spring-Return |
| 10 | 004337-01 | 2 | Bracket, Wire Form |
| 11 | 004338-01 | 1 | Lock-Out, Wire Form, R.H. |
| 12 | 004336-01 | 1 | Lock-Out, Wire Form, L.H. |
| 13 | 004326-01 | 2 | Button, Scavenger |
| 14 | 75-046 | 4 | Lck Washer, #6 |
| 15 | 006904-01 | 2 | Spacer |
| 16 | 007359-01 | 1 | Lamp Socket |
| 17 | 70-11-47 | 1 | Lamp |
| 18 | 73-3008 | 2 | Retaining "C" Ring, Truarc #5103-25 |
| 19 | 75-9914001 | 6 | Self-Threading Nut, Tinnerman #SR188006 |
| 20 | 75-026S | 4 | Washer #6 |
| 21 | 75-00516 | 13 | Kepnut, Style 842, Stl., 6-32 |
| 22 | 008629-01 | 2 | Spring |
| 23 | 71-2118 | 1 | Lock Assembly, Hudson Lock |
| 24 | 71-1225CU | 2 | Coin Mechanism for American Quarter only |
| | 71-125FB | Ref. | Coin Mechanism for Belgian 5 Francs Only |
| | 71-121MG | Ref. | Coin Mechanism for German Mark only |
| | 71-121KS | Ref. | Coin Mechanism for Swedish Krona Only |
| | 71-12100YJ | Ref. | Coin Mechanism for Japanese 100 Yen Only |
| | 71-1210PE | Ref. | Coin Mechanism for English 10 Pence Only |
| | 71-1220CA | Ref. | Coin Mechanism for Australian 20-Cent Piece only |
| 25 | 007753-01 | 1 | Plate, Anti-Probe |
| 26 | A007638-01 | 1 | Switch Assembly - Slam |

NOTICE TO ALL PERSONS RECEIVING THIS DRAWING
CONFIDENTIAL. Reproduction forbidden without the
specific written permission of Alar, Inc., Sunnyvale,
California. This drawing is only conditionally issued, and
neither receipt nor possession thereof confers or transfers
any right or license to use, the subject matter of the
drawing or any design or technical information shown
thereon, nor any copyright or patent rights therein.
This drawing is the property of Alar, Inc. and is not to be
reproduced or for manufacture under the corporation's writ-
ten license, no right to reproduce this drawing is granted or
the subject matter thereof unless by written agreement
with or written permission from the corporation.

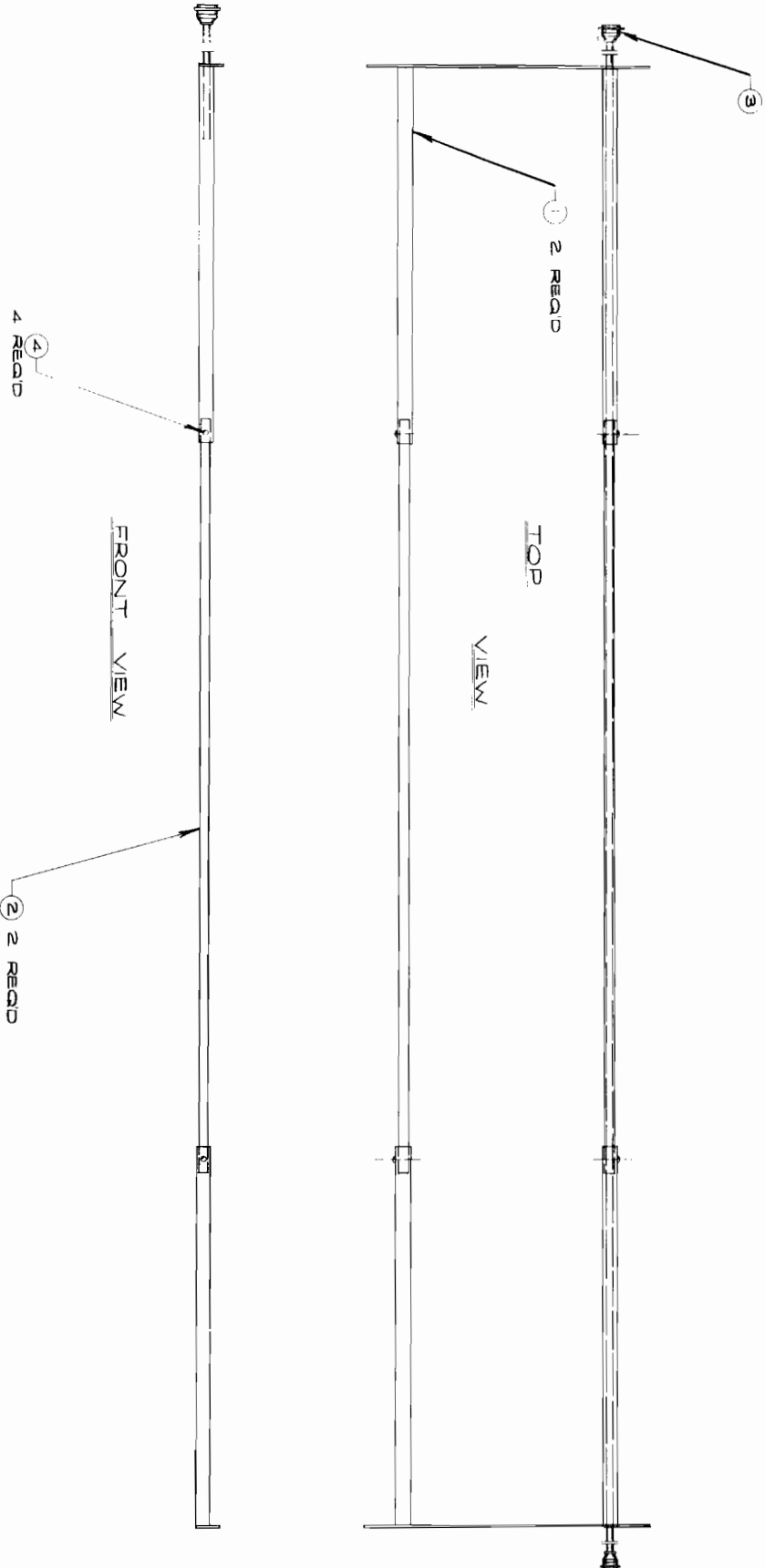


Figure 20 Brace Assembly
A008456-01 A



Figure 20 Brace Assembly
Parts List

| Item | Part Number | Qty. | Description |
|------|-------------|------|--|
| 1 | A008115-01 | 2 | Support Tube & Plate Assy |
| 2 | 008114-01 | 2 | Tube (Support) |
| 3 | A008306-01 | 1 | Interconnect Cable Assy |
| 4 | 74-4003 | 4 | Screw, Allen Hd., Socket #10-32 x3/16" Lg. |
| 5 | A008455-XX | 1 | Shipping Container (Brace) |

 A Warner Communications Company



| Item | Part Number | Qty. | Description |
|------|-------------|------|--------------------|
| 1 | A005632-02 | 1 | Cabinet Assembly |
| 2 | A005662-01 | 1 | Dashboard Assembl |
| 3 | A005667-01 | 1 | T.V. Shelf Assemb. |
| 4 | A005925-01 | 1 | Electronics Tray A |
| 5 | A009262-06 | 1 | R.F. Shield Enclo |
| 6 | A003637-11 | Ref. | Coin Door Assembl |
| 7 | A006916-02 | 1 | 24" Fluorescent F |
| 8 | A006284-01 | 1 | Single Foot Pedal |
| 9 | 006814 -01 | 2 | Bezel, Card Bo |
| 10 | 005701-01 | 1 | Shield, Displa |
| 11 | 005665-01 | 2 | Plex Retainers |
| 12 | 001638-01 | 2 | Panel MTG. Trac |
| 13 | 005419-02 | 2 | Speaker Gr |
| 14 | 73-77004 | 8 | Rivets, 3/8" O |
| 15 | 75-931 | 2 | Wingnuts, |
| 16 | 48-001 | 2 | 8" Speaker |
| 17 | 82-1824 | 2 | Wood |
| 18 | A005410-01 | 9 | Rear |
| 19 | A006318-01 | 1 | R.F. |
| 20 | 75-5120B | 6 | Bolt |
| 21 | 75-010S | 12 | #10 W... |
| 22 | 75-040 | 12 | #10 Was |
| 23 | 75-911S | 12 | #10-24 |
| 24 | 75-5520N | 2 | Bolt Ca |
| 25 | 75-015S | | asher, |
| 26 | 75-040 | | asher, |
| 27 | 75-911S | | |
| 28 | 75-990 | | |
| 29 | 82-801 | | |
| 30 | 72-681 | | |
| 31 | A00570 | | |
| 32 | 00523 | | |
| 33 | 68-00 | | |
| 34 | | | |
| 35 | | | |
| 36 | | | |
| 37 | | | |
| 38 | | | |
| 39 | | | |



HIT THE BEAR

ATARI®

A Warner Communications Company

ATARI INC 1265 BORREGAS AVENUE, P.O. BOX 9027, SUNNYVALE, CALIFORNIA 94086

A Warner Communications Company