

Parts and Operating Manual



Bally

MIDWAY MFG. CO.

10601 W. Belmont Avenue
Franklin Park, Illinois 60131
U.S.A.



Phone: (312) 451-9200 Cable Address: MIDCO Telex No.: 72-1596

WARNING

THIS GAME MUST BE GROUNDED. FAILURE TO DO SO MAY RESULT IN DESTRUCTION TO ELECTRONIC COMPONENTS.

WARNING: This equipment generates, uses, and can radiate radio frequency energy and if not used in accordance with the instructions manual, may cause interference to radio communications. It has been tested and found to comply with the limits for a CLASS A computing device pursuant to SUBPART J of PART 15 of FCC RULES, which are designed to provide reasonable protection against such interference when operated in a commercial environment. Operation of this equipment in a residential area is likely to cause interference in which case the user at his own expense will be required to take whatever measures may be required to correct the interference.

ELECTRICAL BULLETIN: FOR ALL APPARATUS COVERED BY THE CANADIAN STANDARDS ASSOCIATION (CSA) STANDARD C22.2 NO. 1, WHICH EMPLOYS A SUPPLY CORD TERMINATED WITH A POLARIZED 2-PRONG ATTACHMENT PLUG.

CAUTION: TO PREVENT ELECTRIC SHOCK DO NOT USE THIS (POLARIZED) PLUG WITH AN EXTENSION CORD, RECEPTACLE OR OTHER OUTLET UNLESS THE BLADES CAN BE FULLY INSERTED TO PREVENT BLADE EXPOSURE.

ATTENTION: POUR PREVENIR CHOCS ELECTRIQUES NE PAS UTILISER CETTE FICHE POLARISEE AVEC UN PROLONGATEUR. UNE PRISE DE COURANT OU UNE AUTRE SORTIE DE COURANT, SAUF SI LES LAMES PEUVENT ETRE INSEREES A FOND SANS EN LAISSER AUCUNE PARTIE A DECOUVERT.

Bally MIDWAYTM

Invites You To Use

**OUR TOLL FREE NUMBERS FOR
SERVICE INFORMATION CONCERNING THIS GAME, OR ANY
OTHER BALLY MIDWAY GAME YOU NOW HAVE ON LOCATION.**

**CALL US FOR PROMPT, COURTEOUS
ANSWERS TO YOUR PROBLEMS.**

VIDEO → Continental U.S. 1-800-323-7182

PINBALL → Continental U.S. 1-800-323-3555

Bally MIDWAYTM

10601 West Belmont Avenue, Franklin Park, Illinois, 60131

phone (312)451-9200

© COPYRIGHT MCMLXXXIII BY BALLY/MIDWAY CO. ALL RIGHTS RESERVED.

NO PART OF THIS PUBLICATION MAY BE REPRODUCED BY ANY MECHANICAL, PHOTOGRAPHIC, OR ELECTRONIC PROCESS, OR IN THE FORM OF A PHONOGRAPHIC RECORDING, NOR MAY IT BE TRANSMITTED, OR OTHERWISE COPIED FOR PUBLIC OR PRIVATE USE, WITHOUT PERMISSION FROM THE PUBLISHER. THIS MANUAL IS FOR SERVICE USE ONLY, AND NOT FOR GENERAL DISTRIBUTION. FOR PERMISSION REQUESTS, WRITE: MIDWAY MFG. CO., 10750 W. GRAND AVE., FRANKLIN PARK, IL 60131

Printed in U.S.A.

TAPPER

GAME OPERATION

ATTRACT MODE

1. The Attract mode starts:
 - Just after power has been turned on to the game. (Self-Test switch is in the "OFF" position.)
 - After a Self-Test has been completed and there are no more credits left in the games memory.
 - After a play has been finished, the score was not high enough to put the game into the High Score/Initial mode, and there are no more credits left in the games memory.
 - After the High Score/Initial mode when there are no more credits left in its memory.
 - No matter where the game is in the Attract mode sequence, it will immediately go to the Ready-To-Play mode display as soon as a game has been paid for.

READY-TO-PLAY MODE

1. The Ready-To-Play mode starts when enough coins have been accepted for a 1 player game. Additional coins may be deposited for a 2 player game.
2. The Ready-To-Play mode ends when the "START" button is pressed.

PLAY MODE

1. The Play mode begins when the "START" button is pressed.
2. The Play mode ends when all of your BAR TENDERS have been eliminated. When this happens, "GAME OVER" is written across the monitor screen.

HIGH SCORE/INITIAL MODE:

If your score was high enough to become one of the ten best scores, the game will go into the High Score/Initial mode immediately after the "GAME OVER" display. If your score is not high enough to cause the game to go into the High Score/Initial mode, it will either go to the Attract mode (if there are no more credits left in its memory) or into the Ready-To-Play mode (if there are still credits left in its memory).

Follow the ON-SCREEN instructions to enter your initials next to your score in the league of the best ten players to date.

After the High Score/Initial mode, the game will either go to the Attract mode (if there are no more credits left in its memory) or into the Ready-To-Play mode (if there are still credits left in its memory).

**T A P P E R
S C O R I N G**

| DESCRIPTION | POINTS AWARDED | NOTES |
|--------------------------|-----------------------|--------------------------|
| PICK UP TIP | 1500 POINTS | |
| GET DRINKERS OUT OF DOOR | | |
| | 50 POINTS | FOR EVERY COWBOY |
| | 75 POINTS | FOR EVERY SPORTS PERSON |
| | 100 POINTS | FOR EVERY PUNK ROCKER |
| | 150 POINTS | FOR EVERY SPACE CREATURE |
| CATCH AN EMPTY MUG | 100 POINTS | FOR EACH ONE CAUGHT |
| COMPLETING A RACK | 1000 POINTS | |
| COMPLETING BONUS RACK | 3000 POINTS | |

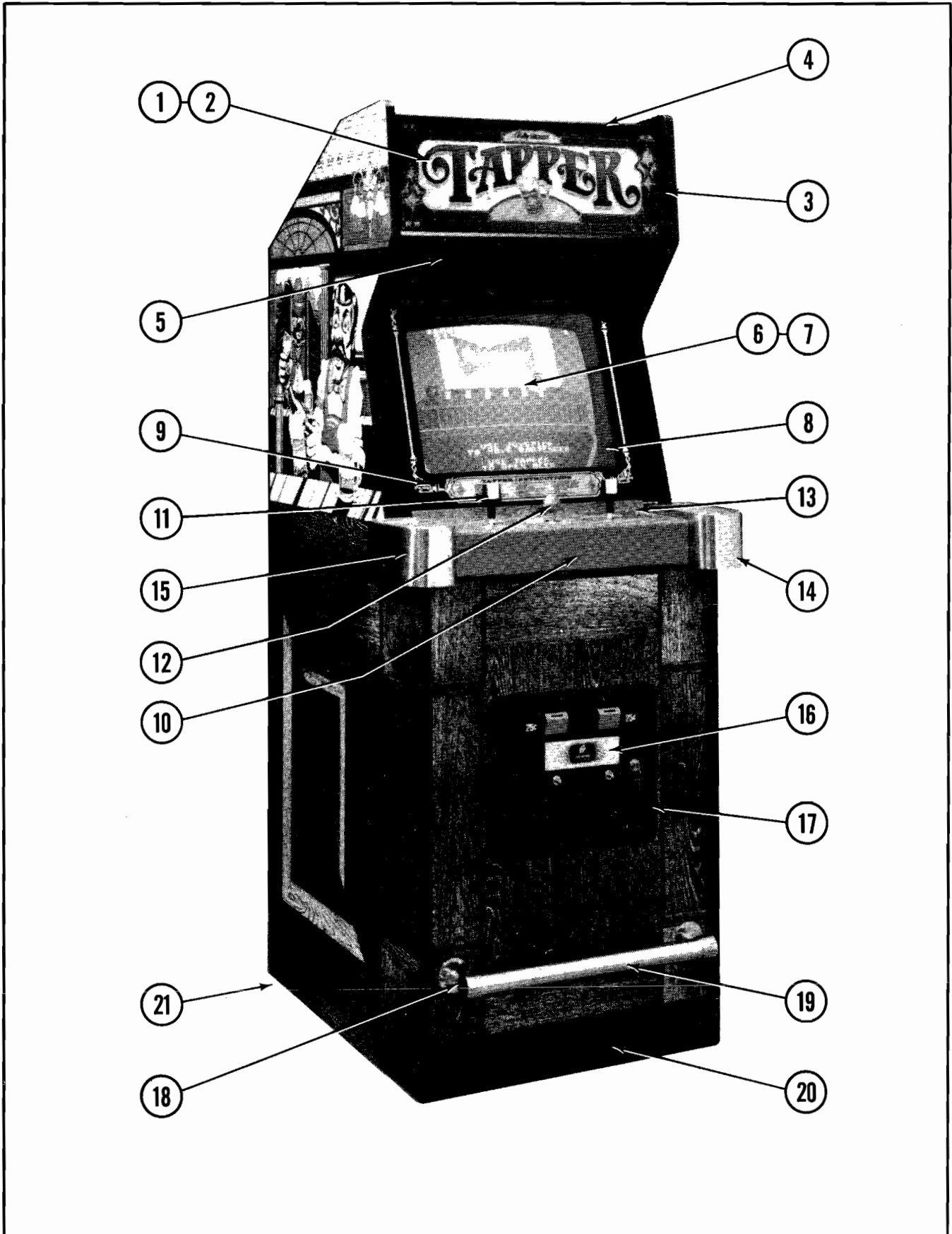
TAPPER

OPTION SWITCH SETTINGS

| | | | | | | | | | | |
|--|---------------|----------|-------|----------|----------|----------|------|---------------------------------|----------|-------|
| // SWITCH NO. 1 - AT B 3 - LOCATED ON SOUND I/O P.C. BOARD // | | | | | | | | | | |
| DURING GAME PLAY: | SW#1 | SW#2 | SW#3 | SW#4 | SW#5 | SW#6 | SW#7 | SW#8 | SW#9 | SW#10 |
| | NOT USED | NOT USED | | NOT USED | NOT USED | NOT USED | | NOT USED | NOT USED | |
| ATTRACT MODE SOUNDS ON **ATTRACT MODE SOUNDS OFF | ON OFF | | | | | | | | | |
| COCKTAIL MODEL GAME **UPRIGHT MODEL GAME | ON OFF | | | | | | | | | |
| FREEZE VIDEO **NORMAL OPERATION | ON OFF | | | | | | | | | |
| // SWITCH NO. 3 - AT D 14 - LOCATED ON SOUND I/O P.C. BOARD // | | | | | | | | | | |
| **NORMAL OPERATION SOUND I/O DIAGNOSTIC MODE | SW#1 | *SW#2 | *SW#3 | *SW#4 | | | | | | |
| | OFF | | | | | | | | | |
| **NORMAL OPERATION RAM/ROM TEST INDICATES TEST RESULTS VIA YELLOW L E D ON SOUND I/O BOARD: FAST FLASH = BAD ROM SLOW FLASH = BAD RAM | OFF ON | | | | | | | | | |
| **NORMAL OPERATION OSCILLATOR TEST | OFF ON | | | | | | | | | |
| **NORMAL OPERATION FILTER TEST | OFF ON | | | | | | | | | |
| *NO EFFECT IF SW#1 OF SWITCH NO. 3 IS IN THE "OFF" POSITION. **FACTORY RECOMMENDED SETTINGS. | | | | | | | | PART NO. M051-00A11-A007 | | |

THE REMAINDER OF YOUR NEW GAME'S MOST COMMON OPTION SETTINGS ARE CONDUCTED DURING THE
MACHINE SETUP PORTION OF THE SELF-TEST MODE.

NO. 0A11 - TAPPER UPRIGHT - FRONT

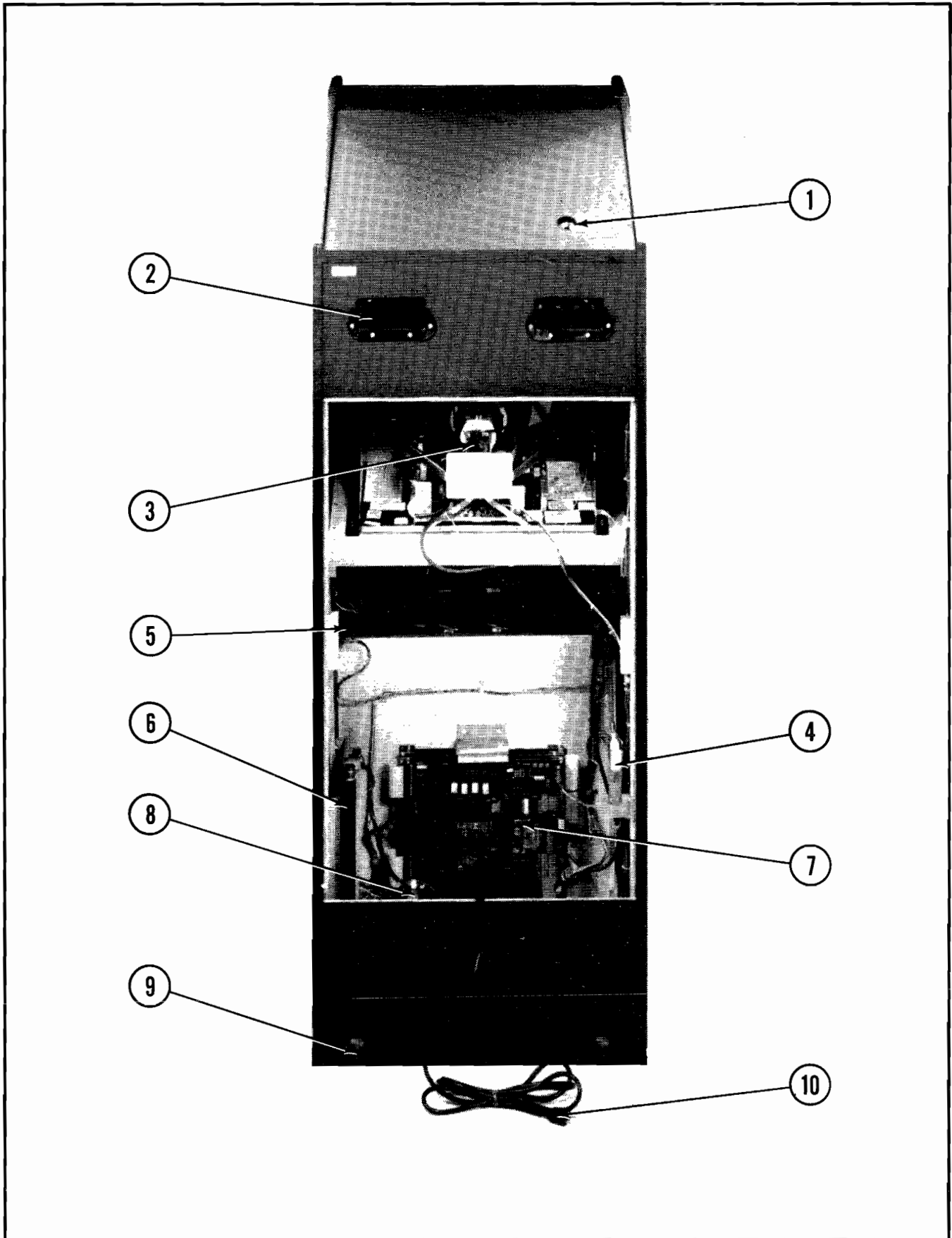


NO. 0A11 - TAPPER UPRIGHT - FRONT PARTS LIST

ORDER BY PART NUMBER ONLY

| ITEM | PART NO. | DESCRIPTION | |
|------|-----------------|---|--|
| 1 | 0A11-00900-00XF | HEADER GLASS | |
| 2 | A595-00011-0000 | FLUORESCENT HEADER LIGHT ASSY. | |
| 3 | 0537-00903-0055 | GLASS CHANNEL - 7-7/8" LG. (2 REQ'D) | |
| 4 | 0574-00903-0100 | HEADER RETAINING BRKT. (2 REQ'D) | |
| 5 | 0017-00101-0138 | #8x5/8 TORX PAN HD. TAMPER PROOF SCR. (10 REQ'D) | |
| | 0017-00009-0393 | BLACK SPEAKER GRILLE W/SLOTS (2 REQ'D) | |
| | 0017-00003-0430 | 6"x9" SPEAKER - 4 OHM, 10W. (2 REQ'D) | |
| | 0017-00003-0461 | 6"x9" SPEAKER - 4 OHM, 15W. (2 REQ'D) | |
| | 0017-00101-0127 | #8-32x1-1/2 CARRIAGE BOLT (8 REQ'D) | |
| 6 | 0017-00103-0061 | #8-32 HEX NUT W/SEMS (8 REQ'D) | |
| | A311-00002-0000 | 19" HORIZ. MONITOR ASSY. | |
| 7 | 0333-00902-0000 | PLEXI-DIFFUSER | |
| | 0508-00901-0000 | PLEXI-GLASS MTG. CLIPS (4 REQ'D) | |
| | 0017-00101-0141 | #8x11/16 UNSLOT. HEX HD. SCREW (4 REQ'D) | |
| 8 | 0017-00042-0314 | 19" BEZEL - INJECTION MOLDED | |
| 9 | 0A11-00901-00XF | MAIN VIEWING GLASS | |
| | 0A11-00902-0100 | GLASS HOLDER - RIGHT | |
| | 0A11-00902-0200 | GLASS HOLDER - LEFT | |
| | AA11-00016-0000 | CONTROL SHELF PLATE ASSY. | |
| 10 | 0A11-00904-0000 | DECORATIVE OVERLAY | |
| | 0A11-00100-01XF | CONTROL SHELF MTG. BRKT. - RIGHT | |
| | 0A11-00100-02XF | CONTROL SHELF MTG. BRKT. - LEFT | |
| | 0555-00901-0000 | PLASTIC LOCATING PIN (4 REQ'D) | |
| | 0017-00009-0534 | BASSICK CLAMP (2 REQ'D) | |
| | 0017-00101-0141 | #8x11/16 UNSLOT. HEX HD. SCREW (8 REQ'D) | |
| | 11 | AA11-00015-0000 | HANDLE CONTROL ASSY. (2 REQ'D) |
| | 12 | A982-00017-0000 | CONTROL ASSY. |
| | 13 | 0017-00032-0106 | SMALL RED PUSH BUTTON SWITCH (2 REQ'D) |
| | 14 | 0A11-00902-0100 | GLASS HOLDER - RIGHT |
| 15 | 0A11-00902-0200 | GLASS HOLDER - LEFT | |
| 16 | A982-00014-0000 | DOUBLE COIN DOOR & CABLE ASSY. | |
| 17 | 0090-00002-04BK | LARGE COIN DOOR FRAME | |
| | 0017-00101-0121 | #6-32x5/16 PHIL. TRS. HD. SCR. (3 REQ'D) (MOUNTS COIN DOOR TO FRAME) | |
| | A950-00004-0000 | COIN BOX ASSEMBLY | |
| | A950-00006-0100 | WIRE COIN BOX CRADLE ASSY. | |
| | 0950-00105-0000 | COIN BOX COVER | |
| | 0950-00104-0000 | COIN BOX HANDLE | |
| | 0950-00101-0000 | COIN DEFLECTOR (2 REQ'D) | |
| | 0950-00900-0000 | LARGE PLASTIC COIN BOX | |
| | 0950-00103-0000 | COIN BOX DIVIDER - OPTIONAL | |
| | 0017-00101-0142 | 1/4-20x1-3/8 BLACK RND. HD. BOLT (4 REQ'D) | |
| | 0017-00104-0014 | 7/8" DISH WASHER (4 REQ'D) | |
| | 0017-00103-0018 | 1/4-20 HEX NUT (4 REQ'D) | |
| | 18 | 0A11-00106-0000 | BRASS END POST (2 REQ'D) |
| | 19 | 0017-00009-0558 | BRASS RAIL |
| | 20 | 0935-00906-0100 | KICK PLATE - 23" LG. |
| | 21 | 0017-00102-0048 | 3/8-16x2" LEG LEVELERS (4 REQ'D) |
| | | 0017-00103-0026 | 3/8-16 LEG LEVELER HEX NUTS (4 REQ'D) |

NO. 0A11 - TAPPER UPRIGHT - REAR ACCESS

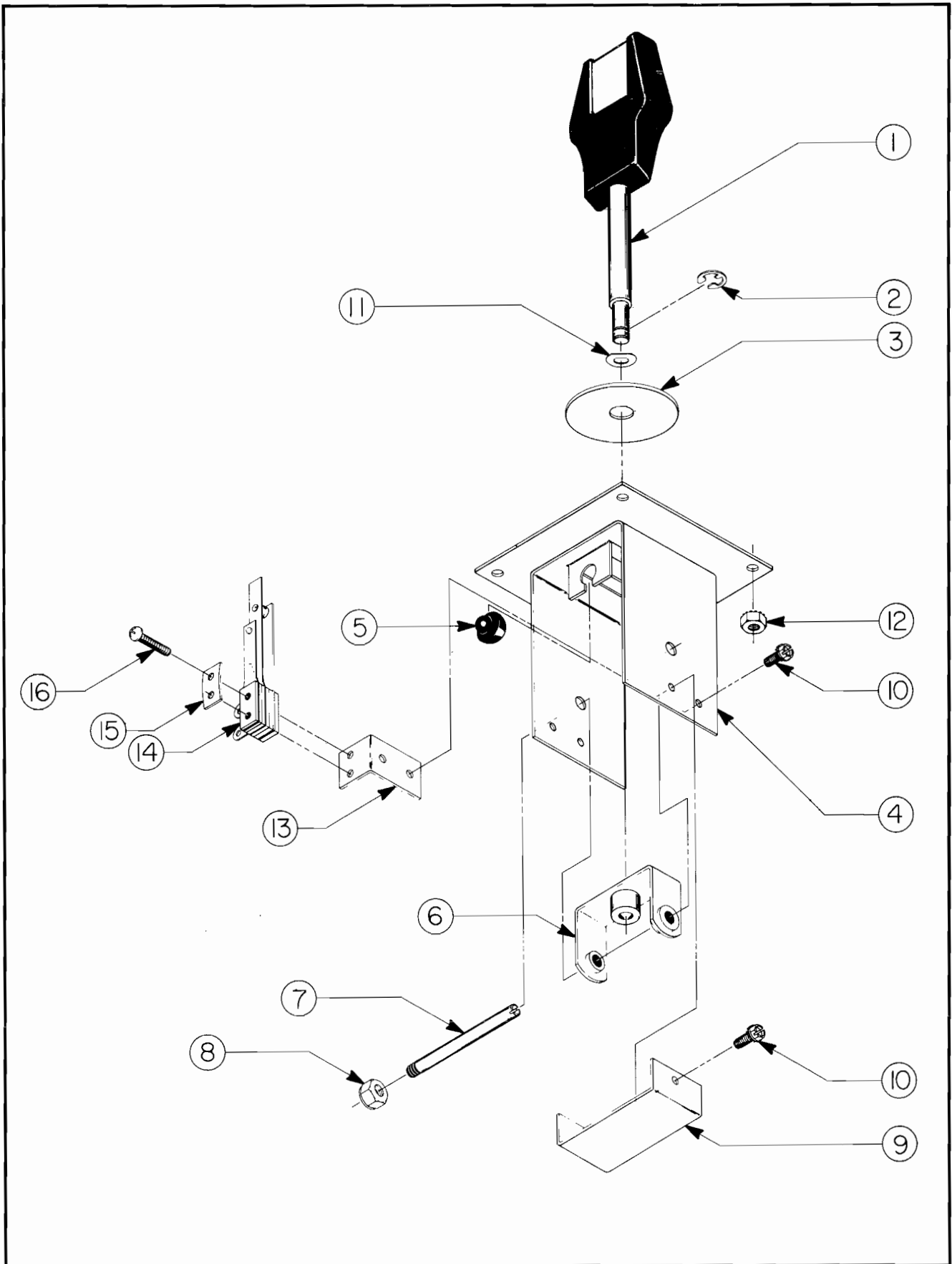


NO. 0A11 - TAPPER UPRIGHT - REAR ACCESS PARTS LIST

ORDER BY PART NUMBER ONLY

| ITEM | PART NO. | DESCRIPTION |
|------------------------------|-----------------|---|
| 1 | A945-00038-0000 | ON-OFF SWITCH & PLATE ASSY. |
| 2 | 0894-00916-0000 | PLASTIC PULL & VENT (2 REQ'D) |
| | 0017-00101-0141 | #8x11/16 UNSLOT. HEX HD. M.S. (8 REQ'D) |
| 3 | 0017-00003-0339 | ELECTROHOME - 19" COLOR MONITOR (OR) |
| 3 | 0017-00003-0439 | WELLS-GARDNER - 19" COLOR MONITOR (OR) |
| 3 | 0017-00003-0454 | ZENITH - 19" COLOR DUAL SYNC MONITOR |
| | 0636-00101-0000 | MONITOR RAIL (2 REQ'D) |
| | 0555-00901-0000 | PLASTIC LOCATING PINS (4 REQ'D) |
| | 0017-00101-0141 | #8x11/16 UNSLOT. HEX HD. M.S. (8 REQ'D) |
| 4 | A088-00016-0000 | INTERLOCK SWITCH & SPRING BRKT. ASSY. |
| | 0303-00904-0000 | INTERLOCK SWITCH COVER |
| 5 | A084-90910-F000 | DUAL POWER AMP ASSY. |
| 6 | A084-90412-D000 | POWER SUPPLY P.C. ASSY. - 125VA. |
| | 0624-00902-0100 | P.C. SUPPORT BRKT. - 12" LG. (2 REQ'D) |
| | 0624-00902-0500 | P.C. SUPPORT BRKT. - 6-1/2" LG. (2 REQ'D) |
| | 0017-00101-0141 | #8x11/16 UNSLOT. HEX HD. M.S. (10 REQ'D) |
| | 0017-00104-0037 | #8 WASHER (10 REQ'D) |
| 7 | AA11-00007-0000 | CARD RACK W/BOARDS ASSY. |
| 8 | A945-00020-0000 | POWER CHASSIS ASSY. -125VA., 115V. |
| 9 | A961-00007-0000 | CASTER ASSEMBLY (2 REQ'D) |
| 10 | A945-00019-0000 | LINE CORD ASSY. -115V. |
| ADDITIONAL PARTS LIST | | |
| | A097-00009-0000 | BACK DOOR LOCK ASSY. |
| | 0017-00009-0490 | 5-5/8" SQR. BACK DOOR VENT GRILLE (4 REQ'D) |
| 7 | AA11-00007-0000 | CARD RACK W/ BOARDS ASSY. |
| | A084-90913-AA11 | PROG. SUPER SOUND I/O P.C. BRD. ASSY. |
| | A639-00060-0000 | SHIELD & BARRIER ASSY. |
| | 0017-00101-0134 | #6-32x1/4" PHIL. RND. HD. M.S. (4 REQ'D) |
| | A084-91490-AA11 | PROG. C.P.U. P.C. BOARD ASSY. |
| | A358-00016-0000 | SHIELD & SPACER ASSY. - INNER |
| | A084-91464-AA11 | PROG. SUPER VIDEO GENERATOR P.C.B. ASSY. |
| | A358-00017-0000 | SHIELD & SPACER ASSY. - OUTER |
| | 0017-00101-0153 | #6-32x1" PHIL. RND. HD. M.S. (8 REQ'D) |

NO. 0A11 - TAPPER UPRIGHT - HANDLE CONTROL ASSY.

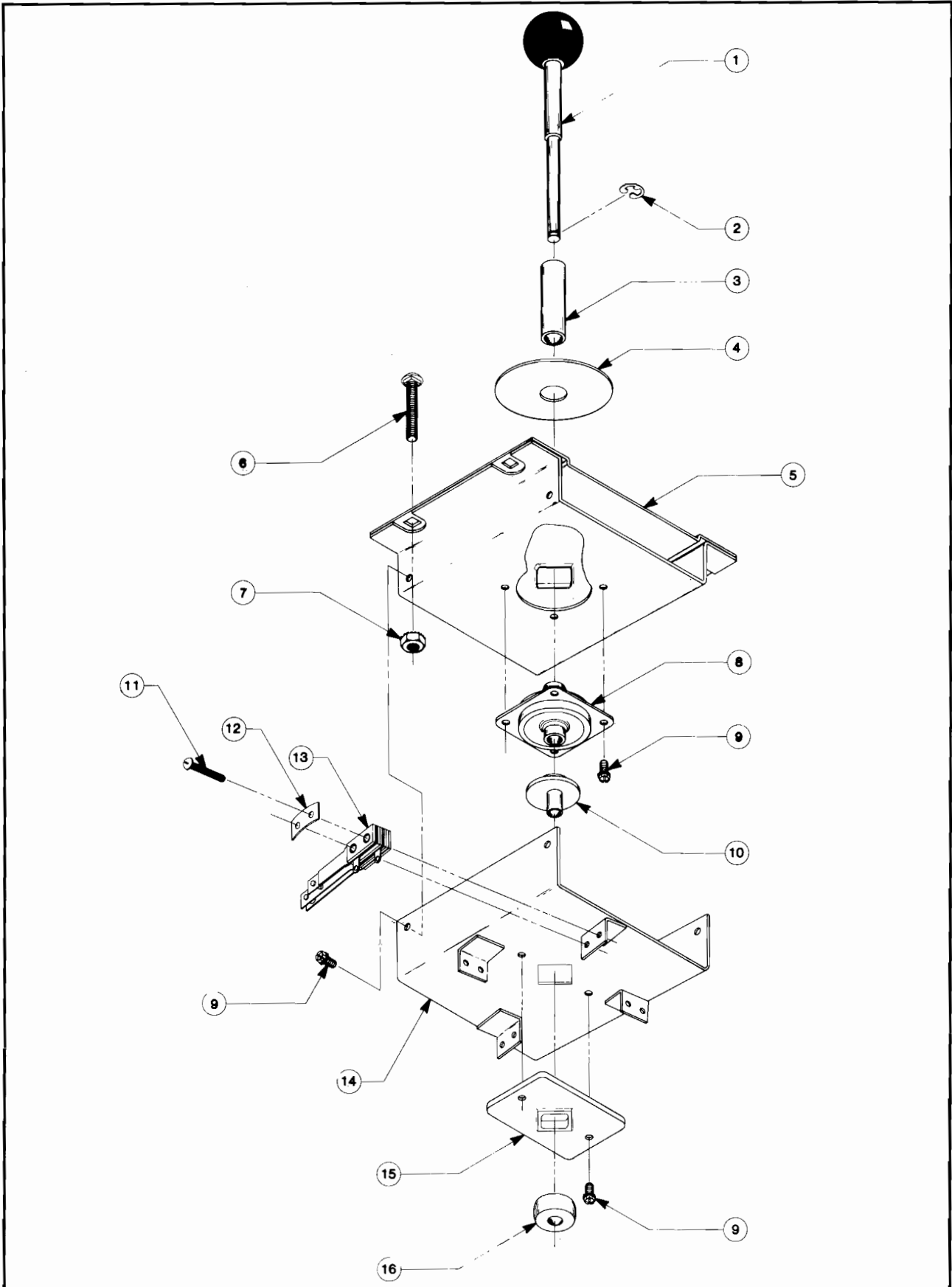


NO. 0A11 - TAPPER UPRIGHT - HANDLE CONTROL ASSY. - PARTS LIST

ORDER BY PART NUMBER ONLY

| ITEM | PART NO. | DESCRIPTION |
|------|-----------------|---|
| 1 | AA11-00012-0000 | HANDLE & SHAFT ASSY. |
| 2 | 0017-00100-0025 | 1/4" E-RING |
| 3 | 0852-00106-0000 | FOLLOWER PLATE |
| 4 | AA11-00013-0000 | TOP PLATE TO MAIN CONTROL BRKT. ASSY. |
| 5 | 0017-00041-0616 | RUBBER BUMPER - 90 DUROMETER (2 REQ'D) |
| 6 | A866-00027-0000 | PIVOT BRKT. HUB & BEARING ASSY. |
| 7 | 0852-00701-00XF | PIVOT PIN |
| 8 | 0017-00103-0011 | #10-32 LOCK NUT |
| 9 | 0508-00112-00XF | BRACE - MAIN BRKT. |
| 10 | 0017-00101-0555 | #6-32x5/16 SLT. HEX HD. SCREW (3 REQ'D) |
| 11 | 0017-00104-0116 | SPRING WASHER |
| 12 | 0017-00103-0061 | #8-32 LOCK NUT W/SEMS (4 REQ'D) |
| 13 | 0353-00108-0000 | SWITCH BRKT. |
| 14 | A353-00020-0000 | LEAF SWITCH ASSY. |
| 15 | 0020-00202-0000 | SWITCH PLATE |
| 16 | 0017-00101-0527 | #5-40x5/8 PHIL. RND. HD. M.S. (2 REQ'D) |
| | 0A11-00905-0000 | HANDLE OVERLAY (NOT SHOWN) |

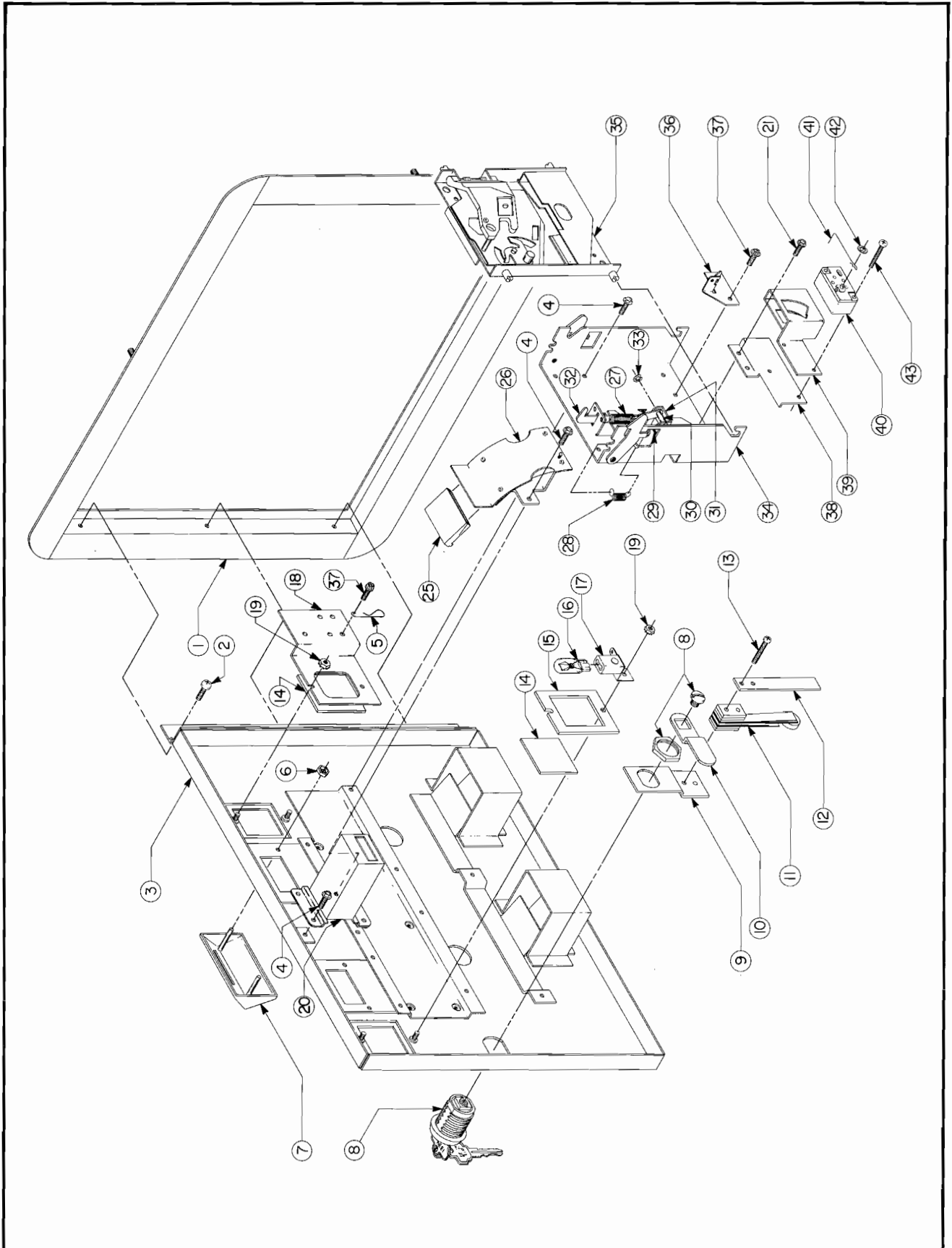
NO. 0A11 - TAPPER UPRIGHT - CONTROL ASSY.



NO. 0A11 - TAPPER UPRIGHT - CONTROL ASSY. - PARTS LIST*ORDER BY PART NUMBER ONLY*

| ITEM | PART NO. | DESCRIPTION |
|-------------|-----------------|--|
| 1 | A932-00022-0000 | BALL & SHAFT ASSEMBLY |
| 2 | 0017-00100-0025 | 1/4 E-RING |
| 3 | 0921-00702-0000 | STOP SPACER |
| 4 | 0921-00902-0000 | SLIDE PLATE |
| 5 | A982-00019-0000 | PIVOT PLATE WELD ASSY. |
| 6 | 0017-00101-0637 | #8-32 x 1" CARRIAGE BOLT (4 REQ'D.) |
| 7 | 0017-00103-0061 | #8-32 HEX NUT W/SEMS (4 REQ'D.) |
| 8 | 0932-00902-0000 | GROMMET |
| 9 | 0017-00101-0598 | #8-32 x 5/16 SLT. HEX HD. M.S. (10 REQ'D.) |
| 10 | 0962-00904-0000 | SLEEVE |
| 11 | 0017-00101-0527 | #5-40 x 5/8 SLT. RND. HD. SCR. (8 REQ'D.) |
| 12 | 0020-00202-0000 | SWITCH PLATE (4 REQ'D.) |
| 13 | A932-00009-0000 | SWITCH ASSEMBLY (4 REQ'D.) |
| 14 | A932-00012-0000 | STOP PLATE & SWITCH BRKT. ASSY. |
| 15 | 0932-00905-0000 | WEAR PLATE |
| 16 | 0921-00700-0000 | ACTUATOR |

FRONT DOOR ASSEMBLY — U.S.A. 25¢

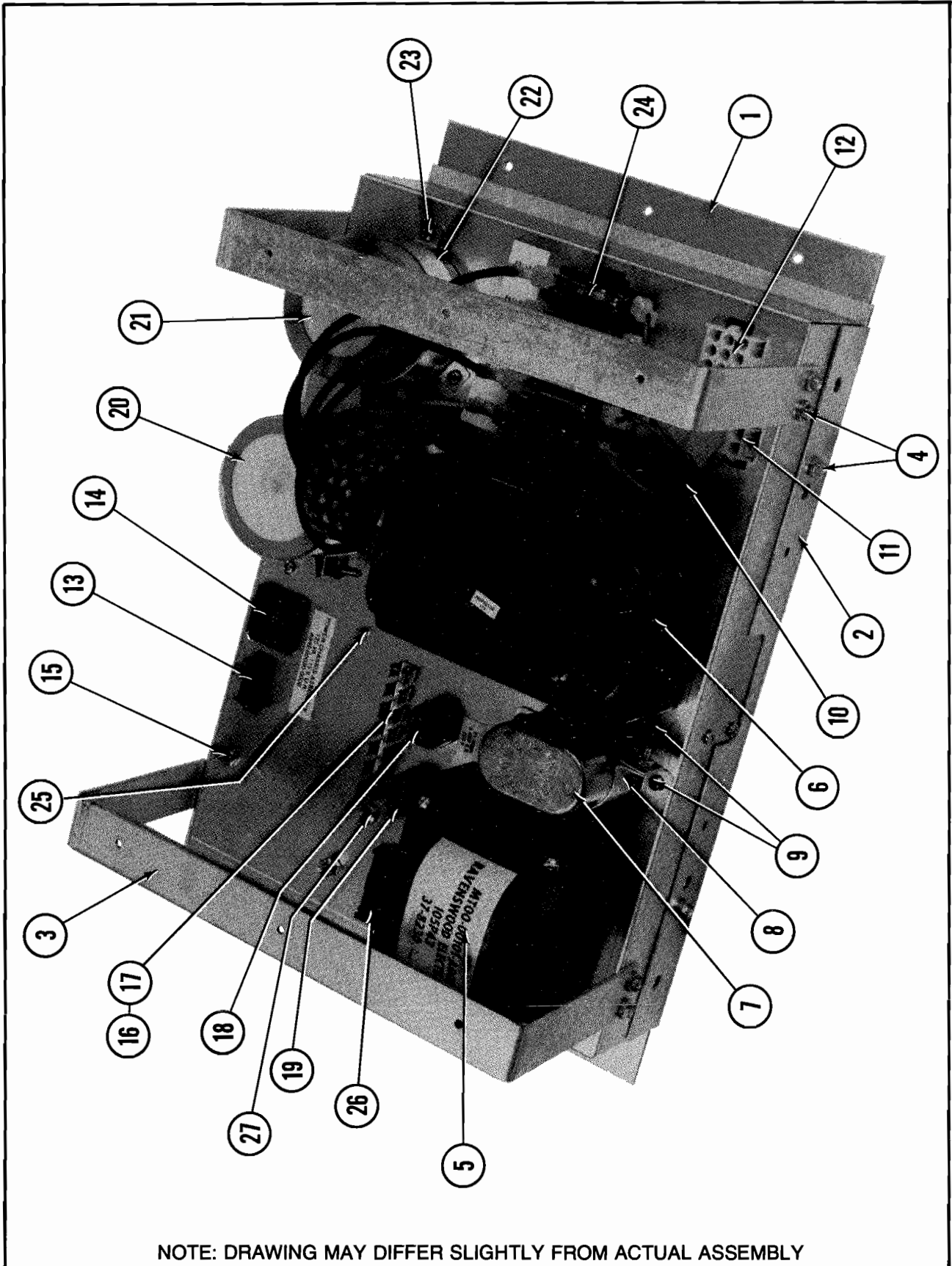


FRONT DOOR ASSEMBLY — U.S.A. 25¢ — PARTS LIST

ORDER BY PART NUMBER ONLY

| ITEM | PART NO. | DESCRIPTION |
|-------------|-----------------|---|
| 1 | 0090-00002-04BK | DOUBLE ENTRY COIN DOOR FRAME |
| 2 | 0017-00101-0121 | #6-32 x 5/16 PHIL. TRS. HD. SCR. (3 REQ'D.) |
| 3 | A090-00073-02BK | DOUBLE ENTRY COIN DOOR W/DRESS PLATE |
| 4 | 0017-00101-0123 | #8 x 1/4 UNSLOT. HEX HD. SCREW (12 REQ'D.) |
| 5 | 0017-00007-0019 | KEY HOOK |
| 6 | 0017-00103-0059 | PUSH NUT (4 REQ'D.) |
| 7 | 0090-00912-0000 | COIN ENTRY PLATE — 25¢ (2 REQ'D.) |
| 8 | A097-00005-0000 | DOOR LOCK & KEY W/SCREW & NUT (OR) |
| 8 | A097-00006-0000 | DOOR LOCK & KEY W/SCREW. & NUT |
| 9 | 0090-00128-00XF | DOOR TILT SWITCH BRKT. |
| 10 | 0017-00005-0225 | DOOR CAM |
| 11 | A090-00095-0000 | DOOR TILT SWITCH |
| 12 | 0090-00126-03XF | SWITCH BACK-UP PLATE |
| 13 | 0017-00101-0525 | #5-40 x 9/16" PHIL. HD. M.S. (2 REQ'D.) |
| | A090-00096-0000 | DOOR TILT SWITCH & BRKT. ASSY. (ITEMS 9 & 11 THRU 13) |
| 14 | 0090-00903-9500 | 25¢ WINDOW (2 REQ'D.) |
| 15 | 0090-00143-00XF | COIN PLEX RETAINER |
| 16 | 0017-00003-0219 | 12 VOLT LAMP — G.E. #194 (2 REQ'D.) |
| 17 | 0017-00031-0048 | WEDGE SOCKET W/BRKT. (2 REQ'D.) |
| 18 | A090-00100-0000 | BRKT. ASSY. |
| 19 | 0017-00103-0084 | #6-32 HEX NUT W/SEMS (4 REQ'D.) |
| 20 | A090-00089-0000 | COIN METER W/DIODE |
| 21 | 0017-00101-0124 | #6 x 1/4 UNSLOT. HEX HD. SCR. (4 REQ'D.) |
| 25 | 0090-00911-0000 | INSULATOR (2 REQ'D.) |
| 26 | A090-00112-0000 | COIN CHUTE & TOP ASSY. (2 REQ'D.) |
| 27 | 0010-00134-0000 | SPRING |
| 28 | 0010-00181-0000 | SPRING |
| 29 | 0017-00007-0083 | 1/8 x 1-5/8 ROLL PIN |
| 30 | 0090-00129-00XF | PIVOT POST |
| 31 | 0090-00167-00XF | PIVOT LEVER |
| 32 | 0090-00182-00XF | REJECT LEVER |
| 33 | 0017-00100-0018 | E-RING |
| | A090-00088-0000 | REJECT LEVER ASSY. (2 REQ'D.) (ITEMS 30 THRU 33) |
| 34 | A090-00105-0000 | COIN ACCEPTOR FRAME ASSY. (2 REQ'D.) |
| 35 | 0017-00005-0003 | COIN ACCEPTOR W/STRING CUTTER (2 REQ'D.) (OR) |
| 35 | 0017-00005-0211 | COIN ACCEPTOR W/ANTI STRING DEVICE (2 REQ'D.) (OR) |
| 35 | 0017-00005-0214 | COIN ACCEPTOR W/STRING CUTTER (2 REQ'D.) |
| 36 | A090-00064-0000 | ANTI-PENNY DEVICE |
| 37 | 0017-00101-0099 | #6 x 1/4 SLT. HEX HD. M.S. (2 REQ'D.) |
| 38 | 0090-00162-00XF | COIN SWITCH MTG. BRKT. |
| 39 | 0017-00005-0203 | COIN SWITCH CHUTE |
| 40 | 0017-00005-0195 | COIN SWITCH |
| 41 | 0010-00599-0000 | COIN SWITCH WIRE |
| 42 | 0017-00007-0015 | PUSH-ON RING |
| | A090-00059-0400 | COIN SWITCH & WIRE ASSY. (ITEMS 40 THRU 42) |
| 43 | 0017-00101-0147 | #4-40 x 3/4 PHIL. PAN. HD. M.S. (2 REQ'D.) |
| | A090-00077-0000 | COIN GUIDE & SWITCH ASSY. (ITEMS 38 THRU 43) |

— POWER CHASSIS ASSY. — 125VA., 115V.

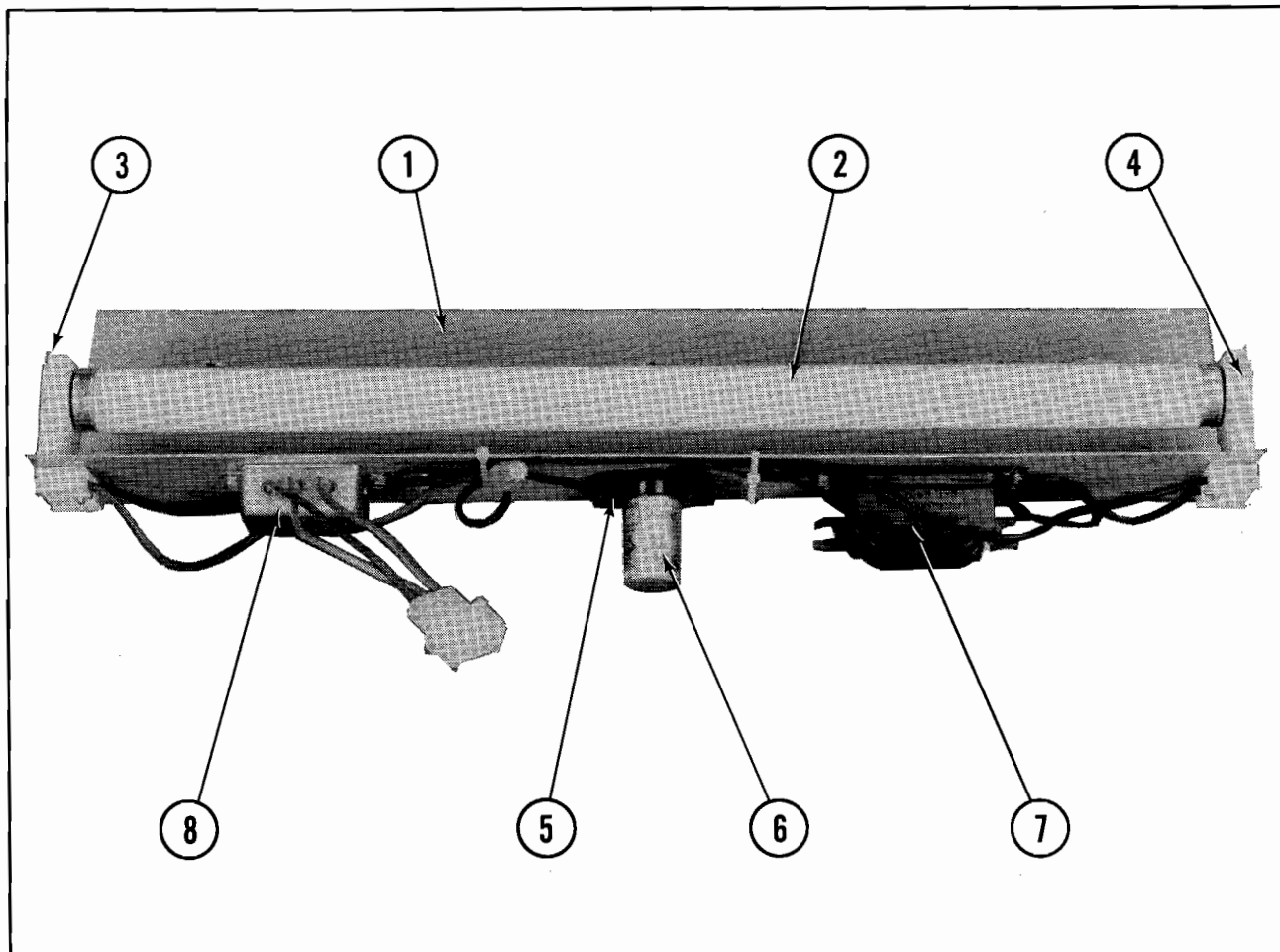


POWER CHASSIS ASSY.—125VA., 115V.—PARTS LIST

ORDER BY PART NUMBER ONLY

| ITEM | PART NO. | DESCRIPTION |
|-------------|-----------------|---|
| 1 | A945-00046-00XF | CHASSIS & PARTITION ASSY. |
| 2 | A945-00029-0100 | MTG. PLATE & BARRIER ASSY. |
| 3 | 0945-00107-01XF | STRAP (2 REQ'D.) |
| 4 | 0017-00101-0123 | #8 x 1/4 UNSLOT. HEX HD. SCR. (12 REQ'D.) |
| 5 | MT00-00101-A000 | ISOLATION TRANSFORMER W/O SHIELD ASSY. — 115V., 50/60 HZ. |
| | 0017-00103-0061 | #8-32 HEX NUT W/SEMS (4 REQ'D.) |
| 6 | MT00-00099-A000 | POWER TRANSFORMER ASSY. — 115V., 60 HZ. |
| | 0017-00103-0084 | #6-32 HEX NUT W/SEMS (4 REQ'D.) |
| 7 | 0175-181T4-GXJK | CAPACITOR — 3.5 M.F., 440V. |
| 8 | 0017-00009-0535 | CLAMP |
| | 0017-00101-0565 | #6-32 x 7/16 SLT. PAN HD. SCR. |
| | 0017-00103-0084 | #6-32 HEX NUT W/SEMS |
| 9 | 0017-00101-0067 | #6 x 3/8 PHIL. PAN HD. SCR. (11 REQ'D.) |
| 10 | 0945-00902-0000 | SNAP BUSHING (3 REQ'D.) |
| 11 | 0017-00021-0297 | 2 POSITION CONNECTOR |
| 12 | A945-00030-0100 | CONNECTOR & CABLE ASSY. #1 |
| 13 | A945-00030-0200 | CONNECTOR & CABLE ASSY. #2 |
| 14 | A945-00021-0000 | CONVENIENCE OUTLET ASSY. |
| 15 | 0017-00101-0573 | #6-32 x 1/2 PHIL. RND. HD. SCR. (2 REQ'D.) |
| | 0017-00103-0084 | #6-32 HEX NUT W/SEMS (2 REQ'D.) |
| | A945-00025-0000 | FILTER ASSEMBLY — 125V. — UNDER CHASSIS (NOT SEEN) |
| 16 | 0017-00021-0510 | TERMINAL STRIP |
| 17 | 0017-00101-0140 | #4-40 x 5/16 PHIL. PAN HD. SCR. (2 REQ'D.) |
| 18 | 0017-00003-0263 | SLO-BLO FUSE — 4A., 250V. |
| 19 | 0017-00003-0005 | FUSE — 2A., 250V. |
| | 0017-00003-0444 | QUICK CONN. FUSEHOLDER (2 REQ'D.) — FOR ABOVE FUSES |
| 20 | 0945-00816-1902 | CAPACITOR — 100,000 M.F. |
| 21 | 0945-00816-1901 | CAPACITOR — 55,000 M.F. |
| | 0017-00104-0107 | #10 FLAT WASHER (4 REQ'D.) |
| | 0017-00103-0081 | #10-32 HEX NUT W/SEMS (4 REQ'D.) |
| 22 | 0017-00009-0422 | CLAMP (2 REQ'D.) |
| | 0017-00101-0758 | #8-32 x 3/4 PHIL. RND. HD. SCREW (2 REQ'D.) |
| | 0017-00103-0061 | #8-32 HEX NUT W/SEMS (2 REQ'D.) |
| 23 | 0017-00101-0067 | #6 x 3/8 PHIL. PAN HD. SCR. (6 REQ'D.) |
| 24 | 0945-00904-0000 | 5 POSITION FUSE HOLDER |
| | 0017-00003-0263 | SLO-BLO FUSE — 4A., 250V. |
| | 0017-00003-0217 | SLO-BLO FUSE — 2.5A., 250V. (2 REQ'D.) |
| | 0017-00003-0007 | SLO-BLO FUSE — 3A., 250V. (2 REQ'D.) |
| | 0945-00903-0000 | FUSE HOLDER BARRIER |
| | A945-00022-0000 | HEATSINK & DIODE ASSY. |
| | 0017-00101-0067 | #6 x 3/8 PHIL. PAN HD. SCR. (2 REQ'D.) |
| 25 | 0017-00101-0780 | #6 x 1/2 PHIL. PAN HD. SCREW (2 REQ'D.) |
| | 0017-00021-0629 | 5 POSITION TERMINAL STRIP — (UNDER CHASSIS) |
| | A945-00019-0000 | LINE CORD ASSY. — 115V. (NOT SHOWN) |
| 26 | A945-00030-0500 | CONNECTOR & CABLE ASSY. |
| 27 | 0017-00101-0660 | #10-32 x 3/4 PAN HD. SCREW |
| | 0017-00104-0107 | #10 FLAT WASHER |
| | 0017-00103-0081 | #10-32 HEX NUT W/SEMS |

HEADER FLOURESCENT FIXTUTRE ASSY.



HEADER FLOURESCENT FIXTUTRE ASSY. - PARTS LIST

ORDER BY PART NUMBER ONLY

| ITEM | PART NO. | DESCRIPTION |
|------|-----------------|--|
| 1 | 0595-00105-0000 | FLUORESCENT BRKT. |
| 2 | 0017-00003-0043 | 18" COOL WHITE FLUORESCENT LAMP |
| 3 | 0017-00003-0445 | LAMP LOCKS (2 REQ'D.) |
| 4 | 0017-00031-0036 | FLUORESCENT SOCKET (2 REQ'D.) |
| 5 | 0017-00003-0412 | FLUORESCENT STARTER HOLDER W/LEADS |
| | 0017-00101-0573 | #6-32 x 1/2 PHIL. RND. HD. M.S. (4 REQ'D.) |
| | 0017-00104-0009 | #6 EXT. WASHER (4 REQ'D.) |
| 6 | 0017-00003-0019 | FLUORESCENT STARTER |
| 7 | 0017-00003-0026 | BALLAST |
| | 0017-00101-0598 | #8-32 x 5/16 SLT. HEX HD. SCR. (4 REQ'D.) |
| 8 | A961-00042-0000 | LINE FILTER ASSY. |

BALLY/MIDWAY'S TAPPER
U.R. #A11
ROM/EPROM PART NUMBERS

UNPROGRAMED SUPER VIDEO GEN. A084-91464-L000
PROGRAMED SUPER VIDEO GEN. A084-91464-AA11

| POS. | MIDWAY PART NUMBER |
|------|--------------------|
| 1A | 0A11-00803-0001 |
| 2A | 0A11-00803-0002 |
| 3A | 0A11-00803-0003 |
| 4A | 0A11-00803-0004 |
| 5A | 0A11-00803-0005 |
| 6A | 0A11-00803-0006 |
| 7A | 0A11-00803-0007 |
| 8A | 0A11-00803-0008 |

| JUMPERS | IN | OUT |
|---------|----|-----|
| JW1 | | ** |
| JW2 | ** | |
| | | |
| | | |
| | | |
| | | |
| | | |
| | | |

UNPROGRAMED 5 MHZ CPU A084-91490-H000
PROGRAMED 5 MHZ CPU A084-91490-AA11

| POS. | MIDWAY PART NUMBER |
|------|--------------------|
| 5F | 0A11-00803-0013 |
| 6F | 0A11-00803-0014 |
| 1C | 0A11-00803-0009 |
| 2C | 0A11-00803-0010 |
| 3C | 0A11-00803-0011 |
| 4C | 0A11-00803-0012 |

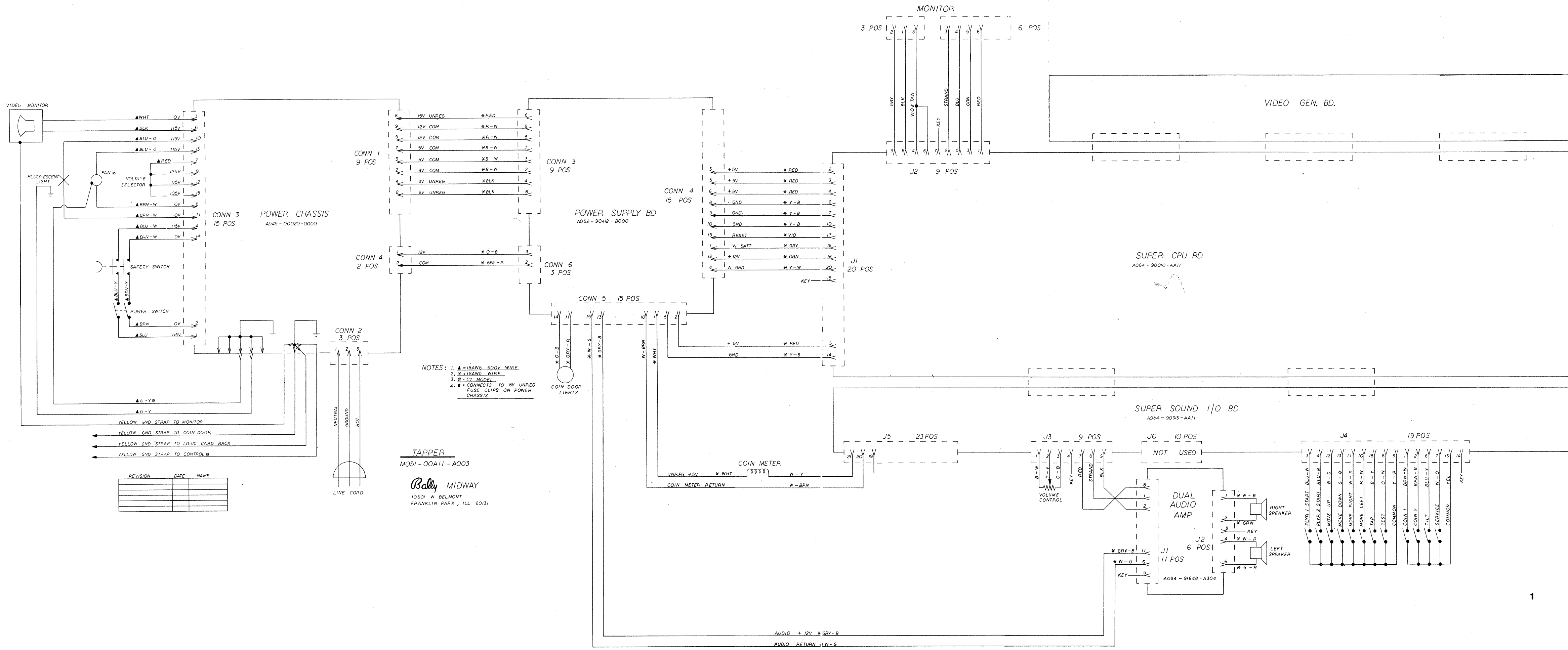
| JUMPERS | IN | OUT |
|---------|----|-----|
| JW1 | | ** |
| JW2 | | ** |
| JW3 | ** | |
| JW4 | | ** |
| JW5 | | ** |
| JW6 | | ** |

UNPROGRAMED S/S I/O A084-90913-G000
PROGRAMED S/S I/O A084-90913-AA11

| POS. | MIDWAY PART NUMBER |
|------|--------------------|
| 7A | 0A11-00803-0015 |
| 8A | 0A11-00803-0016 |
| 9A | 0A11-00803-0017 |
| 10A | 0A11-00803-0018 |

| EPROM | JUMPERS | IN | OUT |
|-------|---------|----|-----|
| 2532 | JW1 | | ** |
| 2532 | JW2 | ** | |
| 2732 | JW1 | ** | |
| 2732 | JW2 | | ** |

| REVISIONS | | |
|-----------|------------------------|--|
| | | |
| 12/19/83 | RELEASE FOR PRODUCTION | |

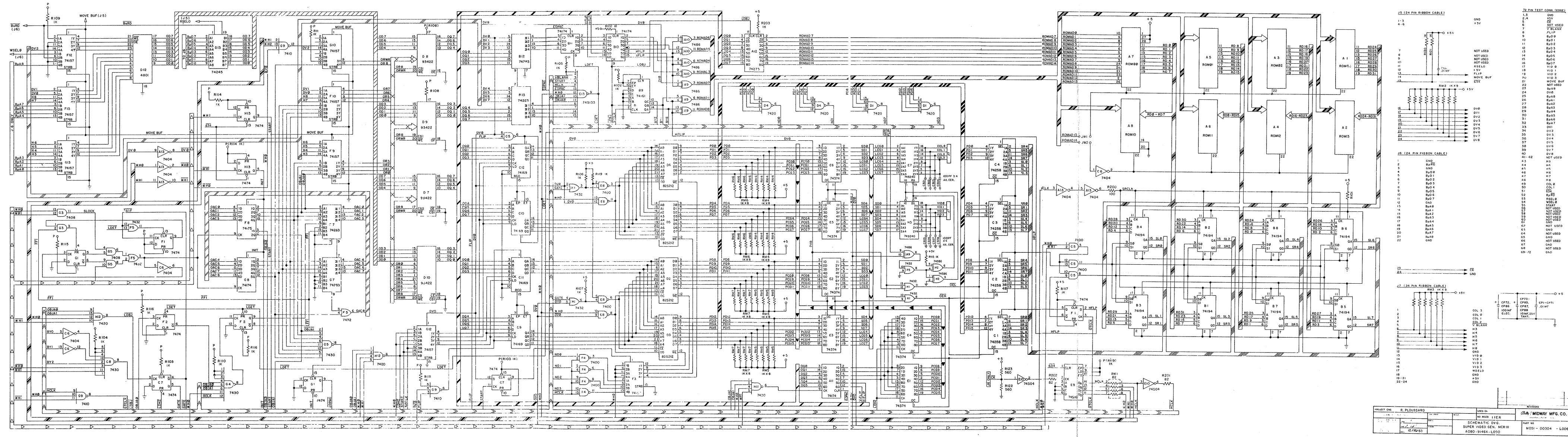


NOTES: 1. * = TRAWG BODY WIRE
 2. * = TRAWG WIRE
 3. * = CT MODEL
 4. * = CONNECTS TO 8V UNREG FUSE CLIPS ON POWER CHASSIS

TAPPER
 M051-00A11-A003
 Bally MIDWAY
 10601 W BELMONT
 FRANKLIN PARK, ILL 60131

| REVISION | DATE | NAME |
|----------|------|------|
| | | |
| | | |
| | | |

AUDIO +12V *GRY-B
 AUDIO RETURN *W-G

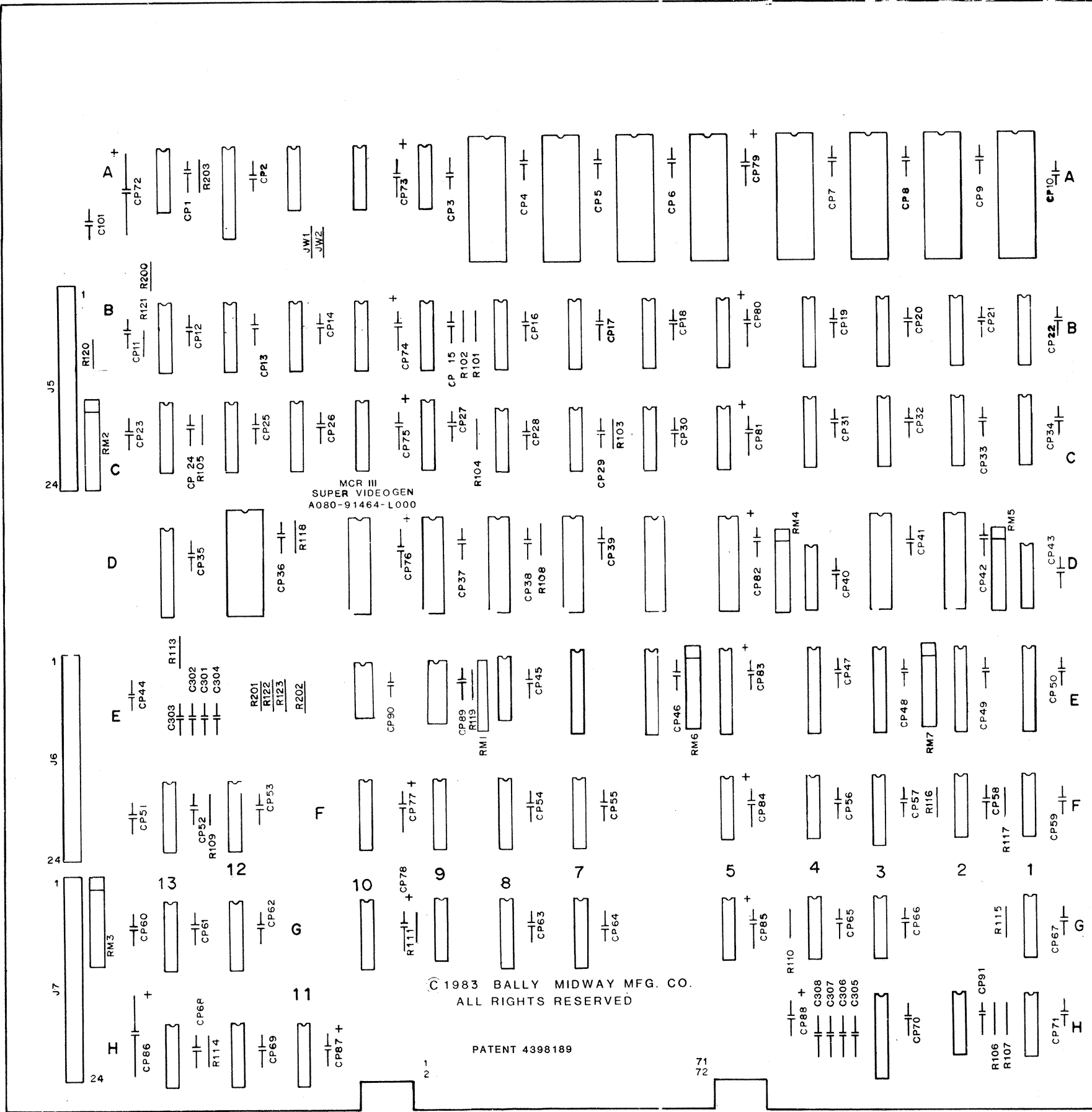


| 13 124 PIN RIBBON CABLE | | 15 124 PIN RIBBON CABLE | | 12 124 PIN RIBBON CABLE | |
|-------------------------|-----|-------------------------|-----|-------------------------|-----|
| 1-3 | 0V | 1 | 0V | 1 | 0V |
| 4-6 | +5V | 2 | +5V | 2 | +5V |
| | | 3 | 0V | 3 | 0V |
| | | 4 | 0V | 4 | 0V |
| | | 5 | 0V | 5 | 0V |
| | | 6 | 0V | 6 | 0V |
| | | 7 | 0V | 7 | 0V |
| | | 8 | 0V | 8 | 0V |
| | | 9 | 0V | 9 | 0V |
| | | 10 | 0V | 10 | 0V |
| | | 11 | 0V | 11 | 0V |
| | | 12 | 0V | 12 | 0V |
| | | 13 | 0V | 13 | 0V |
| | | 14 | 0V | 14 | 0V |
| | | 15 | 0V | 15 | 0V |
| | | 16 | 0V | 16 | 0V |
| | | 17 | 0V | 17 | 0V |
| | | 18 | 0V | 18 | 0V |
| | | 19 | 0V | 19 | 0V |
| | | 20 | 0V | 20 | 0V |
| | | 21 | 0V | 21 | 0V |
| | | 22 | 0V | 22 | 0V |
| | | 23 | 0V | 23 | 0V |
| | | 24 | 0V | 24 | 0V |
| | | 25 | 0V | 25 | 0V |
| | | 26 | 0V | 26 | 0V |
| | | 27 | 0V | 27 | 0V |
| | | 28 | 0V | 28 | 0V |
| | | 29 | 0V | 29 | 0V |
| | | 30 | 0V | 30 | 0V |
| | | 31 | 0V | 31 | 0V |
| | | 32 | 0V | 32 | 0V |
| | | 33 | 0V | 33 | 0V |
| | | 34 | 0V | 34 | 0V |
| | | 35 | 0V | 35 | 0V |
| | | 36 | 0V | 36 | 0V |
| | | 37 | 0V | 37 | 0V |
| | | 38 | 0V | 38 | 0V |
| | | 39 | 0V | 39 | 0V |
| | | 40 | 0V | 40 | 0V |
| | | 41 | 0V | 41 | 0V |
| | | 42 | 0V | 42 | 0V |
| | | 43 | 0V | 43 | 0V |
| | | 44 | 0V | 44 | 0V |
| | | 45 | 0V | 45 | 0V |
| | | 46 | 0V | 46 | 0V |
| | | 47 | 0V | 47 | 0V |
| | | 48 | 0V | 48 | 0V |
| | | 49 | 0V | 49 | 0V |
| | | 50 | 0V | 50 | 0V |
| | | 51 | 0V | 51 | 0V |
| | | 52 | 0V | 52 | 0V |
| | | 53 | 0V | 53 | 0V |
| | | 54 | 0V | 54 | 0V |
| | | 55 | 0V | 55 | 0V |
| | | 56 | 0V | 56 | 0V |
| | | 57 | 0V | 57 | 0V |
| | | 58 | 0V | 58 | 0V |
| | | 59 | 0V | 59 | 0V |
| | | 60 | 0V | 60 | 0V |
| | | 61 | 0V | 61 | 0V |
| | | 62 | 0V | 62 | 0V |
| | | 63 | 0V | 63 | 0V |
| | | 64 | 0V | 64 | 0V |
| | | 65 | 0V | 65 | 0V |
| | | 66 | 0V | 66 | 0V |
| | | 67 | 0V | 67 | 0V |
| | | 68 | 0V | 68 | 0V |
| | | 69 | 0V | 69 | 0V |
| | | 70 | 0V | 70 | 0V |
| | | 71 | 0V | 71 | 0V |
| | | 72 | 0V | 72 | 0V |
| | | 73 | 0V | 73 | 0V |
| | | 74 | 0V | 74 | 0V |
| | | 75 | 0V | 75 | 0V |
| | | 76 | 0V | 76 | 0V |
| | | 77 | 0V | 77 | 0V |
| | | 78 | 0V | 78 | 0V |
| | | 79 | 0V | 79 | 0V |
| | | 80 | 0V | 80 | 0V |
| | | 81 | 0V | 81 | 0V |
| | | 82 | 0V | 82 | 0V |
| | | 83 | 0V | 83 | 0V |
| | | 84 | 0V | 84 | 0V |
| | | 85 | 0V | 85 | 0V |
| | | 86 | 0V | 86 | 0V |
| | | 87 | 0V | 87 | 0V |
| | | 88 | 0V | 88 | 0V |
| | | 89 | 0V | 89 | 0V |
| | | 90 | 0V | 90 | 0V |
| | | 91 | 0V | 91 | 0V |
| | | 92 | 0V | 92 | 0V |
| | | 93 | 0V | 93 | 0V |
| | | 94 | 0V | 94 | 0V |
| | | 95 | 0V | 95 | 0V |
| | | 96 | 0V | 96 | 0V |
| | | 97 | 0V | 97 | 0V |
| | | 98 | 0V | 98 | 0V |
| | | 99 | 0V | 99 | 0V |
| | | 100 | 0V | 100 | 0V |

PROJECT ENR. R. FLOUSSARD
 DESIGNED BY: J. J. J. J.
 DRAWN BY: J. J. J. J.
 CHECKED BY: J. J. J. J.
 APPROVED BY: J. J. J. J.
 DATE: 11-15-64
 SUPER VIDEO GEN. MCR III
 4080-9144-1000
 GEA (MONEY) MFG. CO.
 SCHEMATIC NO. 1
 4080-9144-1000

DESIGNATION LIST

| DESIGNATION | DESCRIPTION | DESIGNATION | DESCRIPTION |
|---------------------|--------------------|--------------------------|------------------------------|
| C101 | .01 MF AX CER | IC 1D | 7420 |
| C301-C308 | 100 PF AX CER | IC 2D | 93479 |
| CP1-CP71 | .01 MF AX CER | IC 3D | 93479 |
| CP72,CP86 | 100 MF AX ELECT. | IC 4D | 7420 |
| CP73-CP85,CP87,CP88 | 10 MF 25V AX TANT. | IC 5D | 93479 |
| CP89,CP90,CP91 | .01MF AX. CER. | IC 6D | 93479 |
| | | IC 7D | 93422 |
| | | IC 8D | 93422 |
| R101-R111,R113-R121 | 1K OHM 1/4W | IC 9D | 93422 |
| R122,R123 | 560 OHM 1/4W | IC 10D | 93422 |
| R200 | 100 OHM 1/4W | IC 12D | 74LS245 |
| R201 R202 | 82 OHM 1/4W | IC 13D | |
| R203 | 1K OHM 1/4W | IC 1E | 74LS374 |
| | | IC 2E | 74LS374 |
| | | IC 3E | 74LS374 |
| RM1 | 82 OHM 8 PIN SIP | IC 4E | 74LS374 |
| RM 2 | 1K 10 PIN SIP | IC 5E | 74LS374 |
| RM 3 | 1K 10 PIN SIP | IC 6E | 74LS374 |
| RM 4 | 1K 9 PIN SIP | IC 7E | 74LS240 |
| RM 5 | 1K 9 PIN SIP | IC 8E | 74LS00 |
| RM 6 | 1K 9 PIN SIP | IC 9E | 74S161 |
| RM 7 | 1K 9 PIN SIP | IC 10E | 74S04 |
| IC 1A | EPROM | IC 1F | 74LS74 |
| IC 2A | EPROM | IC 2F | 74LS74 |
| IC 3A | EPROM | IC 3F | 74LS157 |
| IC 4A | EPROM | IC 4F | 74S00 |
| IC 5A | EPROM | IC 5F | 74LS32 |
| IC 6A | EPROM | IC 7F | 74LS283 |
| IC 7A | EPROM | IC 8F | 74LS175 |
| IC 8A | EPROM | IC 9F | 74LS157 |
| IC 9A | 74LS86 | IC 10F | 74LS157 |
| IC 10A | 74LS86 | IC 12F | 74LS157 |
| IC 11A | 74LS174 | IC 13F | 74LS157 |
| IC 12A | 74LS273 | IC 1G | 74LS74 |
| IC 13A | 74S04 | IC 3G | 74S08 |
| | | IC 4G | 74LS30 |
| | | IC 5G | 74LS30 |
| | | IC 7G | 74LS283 |
| | | IC 8G | 74LS174 |
| | | IC 9G | 74LS10 |
| | | IC 10G | 74LS157 |
| | | IC 12G | 74LS157 |
| | | IC 13G | 74LS157 |
| IC 1B | 74LS194 | IC 1H | 74LS32 |
| IC 2B | 74LS194 | IC 2H | 74S86 |
| IC 3B | 74LS194 | IC 3H | 74LS240 |
| IC 4B | 74LS194 | IC 11H | 7420 |
| IC 5B | 74LS194 | IC 12H | 7420 |
| IC 6B | 74LS194 | IC 13H | 74LS74 |
| IC 7B | 74LS194 | | |
| IC 8B | 74LS194 | | |
| IC 9B | 74LS161 | | |
| IC 10B | 74LS174 | | |
| IC 11B | 74LS174 | | |
| IC 12B | 74S283 | | |
| IC 13B | 74S283 | | |
| IC 1C | 74LS258 | ICS1A-ICS8A | 28 PIN SOCKET |
| IC 2C | 74LS258 | ICS D2,D3,D5-D10 | 22 PIN SOCKET |
| IC 3C | 74LS258 | ICS D12 | 24 PIN SOCKET |
| IC 4C | 74LS258 | | |
| IC 5C | 74LS00 | | |
| IC 6C | 74LS04 | J5,J6,J7 | KK100 RT. ANGLE 24 PIN CONN. |
| IC 7C | 74LS74 | | |
| IC 8C | 74LS30 | | |
| IC 9C | 74LS169 | JW 1, JW2 | JUMPER WIRE |
| IC 10C | 74LS169 | | |
| IC 11C | 74LS169 | MCR III SUPER VIDEO GEN. | A082-91464-L000 |
| IC 12C | 74LS169 | | |
| IC 13C | 74S133 | | |

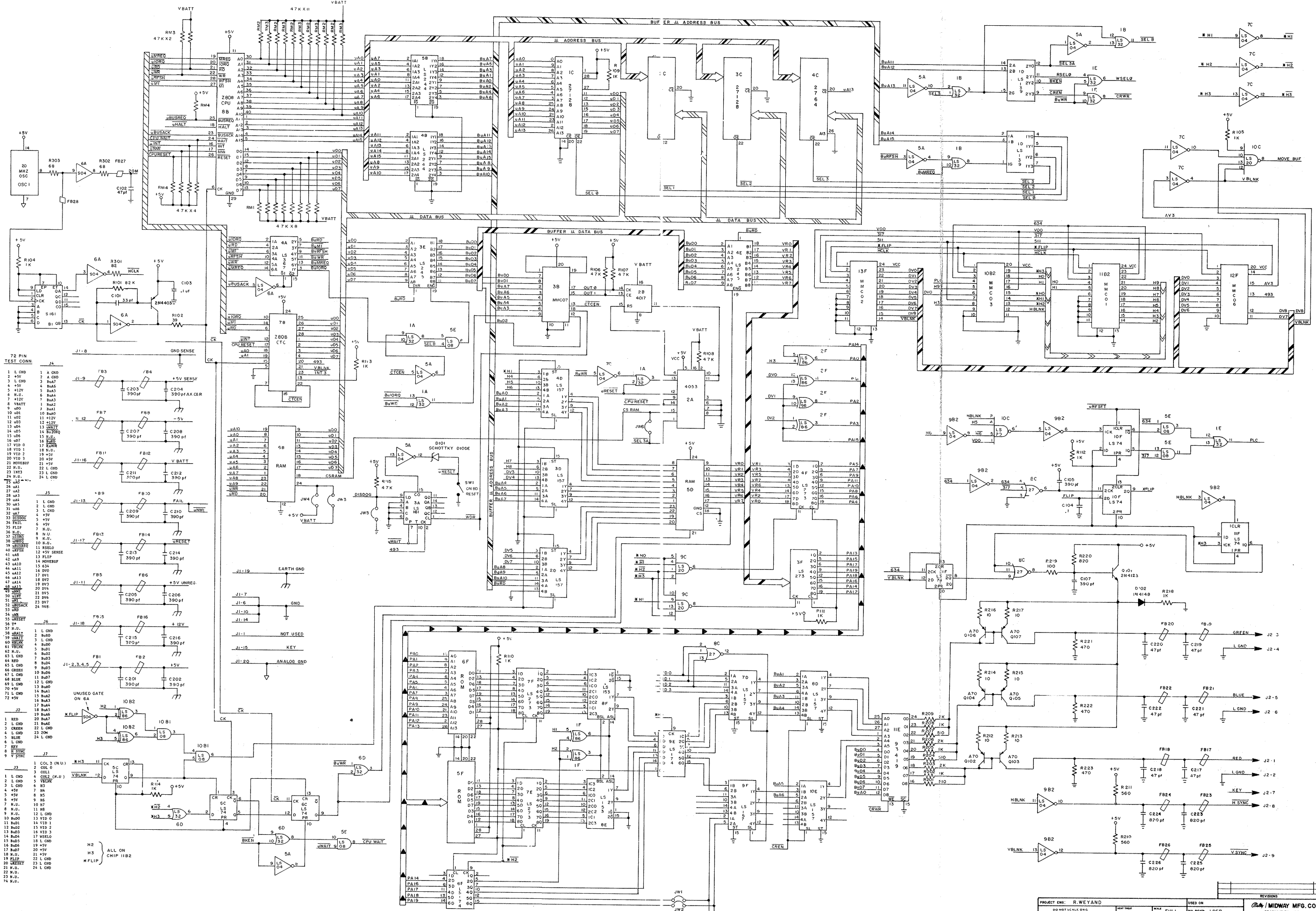


CROSS REFERENCE LIST

| DESCRIPTION | QTY | DESIGNATION NO. | PART NOS. |
|------------------------------|--------|-------------------------------|-----------------|
| CAP 100 PF | 8 | C301-C308 | 0986-00800-1000 |
| CAP .01MF | 75 | C101,CP1-CP71,CP89,CP90,CP91 | 0986-00800-2500 |
| CAP 10MF | 15 | CP73-CP85,CP87,CP88 | 0986-00800-2400 |
| CAP 100MF | 2 | CP72,CP86 | 0986-00800-1800 |
| 82 OHM 1/4 W RES. | 2 | R201,R202 | 100E-00005-0031 |
| 100 OHM 1/4 W RES. | 1 | R200 | 100E-00005-0033 |
| 1K OHM 1/4 W RES. | 21 | R101-R111,R113-R121,R203 | 100E-00005-0061 |
| 560 OHM 1/4W RES. | 2 | R122,R123 | 100E-00005-0054 |
| 8 PIN SIP | 82 OHM | RM1 | 102E-00004-0035 |
| 9 PIN SIP | 1K OHM | RM4-RM7 | 102E-00004-0011 |
| 10 PIN SIP | 1K OHM | RM2, RM3 | 102E-00004-0013 |
| 74S00 | 1 | 4F | 0304-00803-0047 |
| 74LS00 | 2 | 5C,8E | 0304-00803-0010 |
| 74S04 | 2 | 13A,10E | 0304-00803-0011 |
| 74LS04 | 1 | 6C | 0304-00803-0012 |
| 74S08 | 1 | 3G | 0304-00803-0037 |
| 74LS10 | 1 | 9G | 0304-00803-0014 |
| 7420 | 4 | 1D,4D,11H,12H | 0304-00803-0015 |
| 74LS30 | 3 | 8C,4G,5G | 0304-00803-0016 |
| 74LS32 | 2 | 5F,1H | 0304-00803-0017 |
| 74LS74 | 5 | 7C,1F,2F,1G,13H | 0304-00803-0018 |
| 74S86 | 1 | 2H | 0304-00803-0049 |
| 74LS86 | 2 | 9A,10A | 0304-00803-0019 |
| 74S133 | 1 | 13C | 0304-00803-0020 |
| 74LS157 | 8 | 3F,9F,10F,12F,13F,10G,12G,13G | 0304-00803-0021 |
| 74S161 | 1 | 9E | 0304-00803-0038 |
| 74LS161 | 1 | 9B | 0304-00803-0022 |
| 74LS169 | 4 | 9C-12C | 0304-00803-0023 |
| 74LS174 | 4 | 11A,10B,11B,8G | 0304-00803-0024 |
| 74LS175 | 1 | 8F | 0304-00803-0025 |
| 74LS194 | 8 | 1B-8B | 0304-00803-0026 |
| 74LS240 | 2 | 7E,3H | 0304-00803-0050 |
| 74LS245 | 1 | 13D | 0304-00803-0027 |
| 74LS258 | 4 | 1C-4C, | 0304-00803-0028 |
| 74LS273 | 1 | 12A | 0304-00803-0029 |
| 74S283 | 2 | 12B,13B | 0304-00803-0039 |
| 74LS283 | 2 | 7F,7G | 0304-00803-0030 |
| 74LS374 | 6 | 1E-6E | 0304-00803-0031 |
| 93422 | 4 | 7D-10D | 0304-00803-0032 |
| 93479 | 4 | 2D,3D,5D,6D | 0304-00803-0033 |
| STAT. RAM | 1 | 12D | 0304-00803-0034 |
| EPROM KIT | 8 | IC1A-8A | SEE NOTE |
| 28 PIN SOCKET | 8 | ICS 1A-8A | 0986-00804-0300 |
| 22 PIN SOCKET | 8 | ICS 2D,3D,5D,6D,7D-10D | 0986-00804-0700 |
| 24 PIN SOCKET | 1 | ICS 12D | 0986-00804-1600 |
| KK100 RT. ANGLE 24 PIN CONN. | 3 | J5,J6,J7 | 0986-00804-4700 |
| JUMPER WIRE | 2 | JW1, JW2 | 0986-00805-0200 |
| MCR III SUPER VIDEO GEN. | | | A082-91464-L000 |

NOTE: ROM PART NUMBERS AT BACK OF CATALOG.

| | | | |
|----------------------------------|--|---|------------|
| PROJECT ENG: R. PLOUSSARD | | USED ON | |
| DO NOT SCALE DWG. | | HEAT TREAT | SCALE FULL |
| DIM TOLERANCES UNLESS SPECIFIED | | NO. REQ'D 1 PER | |
| DIM. TOLERANCES UNLESS SPECIFIED | | SUPER VIDEO GEN. MCR III ASSY DWG A082-91464-L000 | |
| CONCENTRICITY ±.001 | | PART NO. M051-00304-L005 | |
| FRACTIONAL ±.001 | | | |
| DECIMAL ±.001 | | | |
| HOLE DIA ±.002-.000 | | | |
| DATE 12/19/83 | | | |

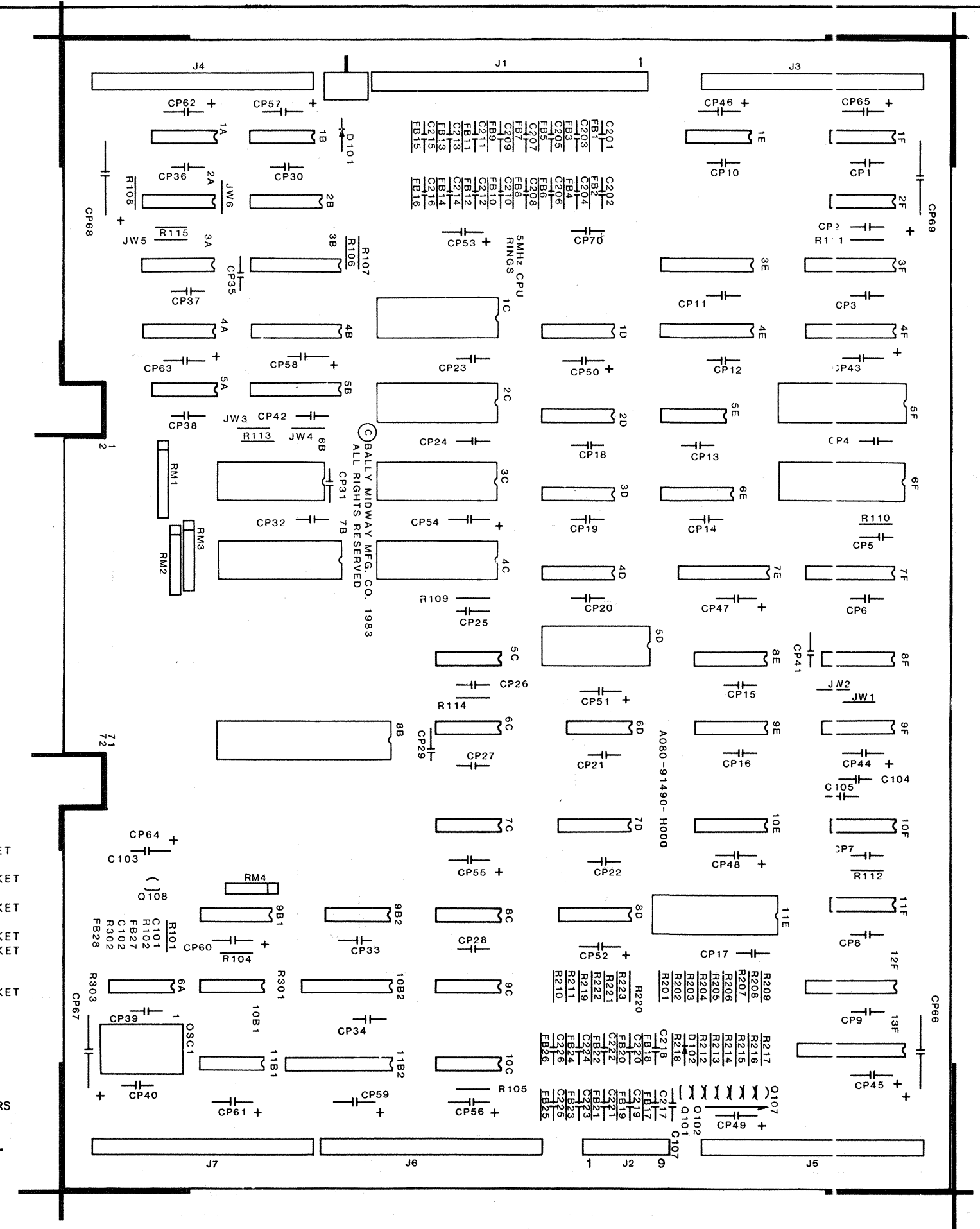


- 1 L OMD 1 A OMD
- 2 L OMD 2 A OMD
- 3 L OMD 3 A OMD
- 4 L OMD 4 A OMD
- 5 L OMD 5 A OMD
- 6 L OMD 6 A OMD
- 7 L OMD 7 A OMD
- 8 L OMD 8 A OMD
- 9 L OMD 9 A OMD
- 10 L OMD 10 A OMD
- 11 L OMD 11 A OMD
- 12 L OMD 12 A OMD
- 13 L OMD 13 A OMD
- 14 L OMD 14 A OMD
- 15 L OMD 15 A OMD
- 16 L OMD 16 A OMD
- 17 L OMD 17 A OMD
- 18 L OMD 18 A OMD
- 19 L OMD 19 A OMD
- 20 L OMD 20 A OMD
- 21 L OMD 21 A OMD
- 22 L OMD 22 A OMD
- 23 L OMD 23 A OMD
- 24 L OMD 24 A OMD
- 25 L OMD 25 A OMD
- 26 L OMD 26 A OMD
- 27 L OMD 27 A OMD
- 28 L OMD 28 A OMD
- 29 L OMD 29 A OMD
- 30 L OMD 30 A OMD
- 31 L OMD 31 A OMD
- 32 L OMD 32 A OMD
- 33 L OMD 33 A OMD
- 34 L OMD 34 A OMD
- 35 L OMD 35 A OMD
- 36 L OMD 36 A OMD
- 37 L OMD 37 A OMD
- 38 L OMD 38 A OMD
- 39 L OMD 39 A OMD
- 40 L OMD 40 A OMD
- 41 L OMD 41 A OMD
- 42 L OMD 42 A OMD
- 43 L OMD 43 A OMD
- 44 L OMD 44 A OMD
- 45 L OMD 45 A OMD
- 46 L OMD 46 A OMD
- 47 L OMD 47 A OMD
- 48 L OMD 48 A OMD
- 49 L OMD 49 A OMD
- 50 L OMD 50 A OMD
- 51 L OMD 51 A OMD
- 52 L OMD 52 A OMD
- 53 L OMD 53 A OMD
- 54 L OMD 54 A OMD
- 55 L OMD 55 A OMD
- 56 L OMD 56 A OMD
- 57 L OMD 57 A OMD
- 58 L OMD 58 A OMD
- 59 L OMD 59 A OMD
- 60 L OMD 60 A OMD
- 61 L OMD 61 A OMD
- 62 L OMD 62 A OMD
- 63 L OMD 63 A OMD
- 64 L OMD 64 A OMD
- 65 L OMD 65 A OMD
- 66 L OMD 66 A OMD
- 67 L OMD 67 A OMD
- 68 L OMD 68 A OMD
- 69 L OMD 69 A OMD
- 70 L OMD 70 A OMD
- 71 L OMD 71 A OMD
- 72 L OMD 72 A OMD
- 73 L OMD 73 A OMD
- 74 L OMD 74 A OMD
- 75 L OMD 75 A OMD
- 76 L OMD 76 A OMD
- 77 L OMD 77 A OMD
- 78 L OMD 78 A OMD
- 79 L OMD 79 A OMD
- 80 L OMD 80 A OMD
- 81 L OMD 81 A OMD
- 82 L OMD 82 A OMD
- 83 L OMD 83 A OMD
- 84 L OMD 84 A OMD
- 85 L OMD 85 A OMD
- 86 L OMD 86 A OMD
- 87 L OMD 87 A OMD
- 88 L OMD 88 A OMD
- 89 L OMD 89 A OMD
- 90 L OMD 90 A OMD
- 91 L OMD 91 A OMD
- 92 L OMD 92 A OMD
- 93 L OMD 93 A OMD
- 94 L OMD 94 A OMD
- 95 L OMD 95 A OMD
- 96 L OMD 96 A OMD
- 97 L OMD 97 A OMD
- 98 L OMD 98 A OMD
- 99 L OMD 99 A OMD
- 100 L OMD 100 A OMD

| | | | | |
|------------------------|----------------|--------|-------------------|----------------|
| PROJECT ENG: R. WEYAND | DATE: 12/16/83 | REV: 1 | DESIGN: 5 MHz CPU | DATE: 12/16/83 |
| DESIGNED BY: R. WEYAND | DATE: 12/16/83 | REV: 1 | SCHEMATIC DWG | DATE: 12/16/83 |
| CHECKED BY: R. WEYAND | DATE: 12/16/83 | REV: 1 | ADD: 91490-1000 | DATE: 12/16/83 |
| APPROVED BY: R. WEYAND | DATE: 12/16/83 | REV: 1 | MO: 00304-M101 | DATE: 12/16/83 |

DESIGNATION LIST

| DESIGNATION NO. | DESCRIPTION | DESIGNATION NO. | DESCRIPTION |
|-----------------|--------------------------|--------------------|----------------------------|
| CP1-CP42 | .01 MF AX. CER. | IC 4A | 74LS367 |
| CP43-CP65 | 10 MF 25V AX. TANT. | IC 5A | 74LS04 |
| | | IC 6A | 74S04 |
| CP66-CP69 | 470 MF 16V AX. ELECT. | IC 1B | 74LS32 |
| CP70 | .01 MF AX. CER. | IC 2B | 4017 |
| C101 | 33 PF AX. CER. | IC 5B | MCM07 |
| C102 | 47 PF AX. CER. | IC 4B, IC 5B | 74LS244 |
| C103 | .1 UF AX. CER. | IC 6B | NV RAM |
| C104 | .1 UF AX. CER. | IC 7B | Z80B CTC |
| C105 | 390 PF AX. CER. | IC 8B | Z80B |
| C107 | 390 PF AX. CER. | IC 9B1 | 74S161 |
| C201-C216 | 390 PF AX. CER. | IC 9B2 | 74LS04 |
| C217-C222 | 47 PF AX. CER. | IC 10B1 | 74LS08 |
| C223-C226 | 820 PF AX. CER. | IC 10B2 | MCM03 |
| | | IC 11B1 | 74LS86 |
| R101 | 82K OHM 1/4W 5% CRBN. | IC 11B2 | MCM01 |
| | | IC 1C, IC 2C, | EPR0M |
| R102 | 39 OHM 1/4W 5% CRBN. | IC 3C, IC 4C | 74LS74 |
| R104, R105 | 1K OHM 1/4W 5% CRBN. | IC 5C, IC 6C | 74LS04 |
| | | IC 7C | 7427 |
| R106-R108 | 4.7K OHM 1/4W 5% CRBN. | IC 8C | 74LS20 |
| | | IC 9C, IC 10C | |
| R109-R114 | 1K OHM 1/4W 5% CRBN. | IC 1D | 74LS139 |
| | | IC 2D, IC 3D, | 74LS157 |
| R115 | 4.7K OHM 1/4W 5% CRBN. | IC 4D, IC 7D | |
| | | IC 8D | |
| R201 | 510 OHM 1/4W 5% CRBN. | IC 5D | RAM |
| | | IC 6D | 74LS32 |
| R202 | 1K OHM 1/4W 5% CRBN. | IC 1E | 74LS32 |
| R203 | 2K OHM 1/4W 5% CRBN. | IC 3E, IC 4E | 74LS245 |
| R204 | 510 OHM 1/4W 5% CRBN. | IC 5E | 74LS08 |
| R205 | 1K OHM 1/4W 5% CRBN. | IC 6E, IC 9E | 74LS174 |
| | | IC 7E | 74LS273 |
| R206 | 2K OHM 1/4W 5% CRBN. | IC 8E | 74LS153 |
| | | IC 10E | 74LS157 |
| R207 | 510 OHM 1/4W 5% CRBN. | IC 11E | 93419 |
| | | IC 1F, IC 2F | 74LS86 |
| R208 | 1K OHM 1/4W 5% CRBN. | IC 3F, IC 4F, | 74LS273 |
| | | IC 7F | |
| R209 | 2K OHM 1/4W 5% CRBN. | IC 5F, IC 6F | EPR0M |
| | | IC 8F | 74LS153 |
| R210, R211 | 560 OHM 1/4W 5% CRBN. | IC 9F | 74LS157 |
| | | IC 10F, IC 11F | 74LS74 |
| R212-R217 | 10 OHM 1/4W 5% CRBN. | IC 12F | MCM06 |
| | | IC 13F | MCM02 |
| R218 | 1K OHM 1/4W 5% CRBN. | FB1-FB28 | FERRITE BEAD |
| R219 | 100 OHM 1/4W 5% CRBN. | ICS 13FA, | 8 PIN DIP SOCKET |
| | | ICS 11B2A | |
| R220 | 820 OHM 1/4W 5% CRBN. | ICS 13FB, | 16 PIN DIP SOCKET |
| | | ICS 11B2B | |
| R221-R223 | 470 OHM 1/4W 5% CRBN. | ICS 3B, ICS 10B2, | 20 PIN DIP SOCKET |
| | | ICS 12F | |
| R301 | 82 OHM 1/4W 5% CRBN. | ICS 6B, 5D | 24 PIN DIP SOCKET |
| R302, R303 | 68 OHM 1/4W 5% CRBN. | ICS 7B, ICS 1C-4C, | 28 PIN DIP SOCKET |
| RM1 | 4.7K OHM 9 PIN SIP. | ICS 11E, ICS 5F, | |
| | | ICS 6F | |
| RM2, RM3 | 4.7K OHM 8 PIN SIP. | ICS 8B | 40 PIN DIP SOCKET |
| RM4 | 4.7K OHM 6 PIN SIP. | J1 | 20 PIN .156C CONN. OMIT 15 |
| D101 | 1N5817 | J2 | 9 PIN .100C CONN. OMIT 3 |
| D102 | 1N4148 | J3-J7 | HEADER |
| Q101 | 2N4123 | - | FLEX PACK JUMPERS |
| Q102-Q107 | A 70 | JW1-JW6 | JUMPERS |
| Q108 | 2N4403 | SW1 | PUSH BUTTON SW. |
| OSC 1 | 20 MHZ ± 0.1% OSCILLATOR | A080-91490-H000 | 5 MHZ CPU BD. |
| IC 1A | 74LS32 | | |
| IC 2A | 4053 | | |
| IC 3A | 74LS161 | | |



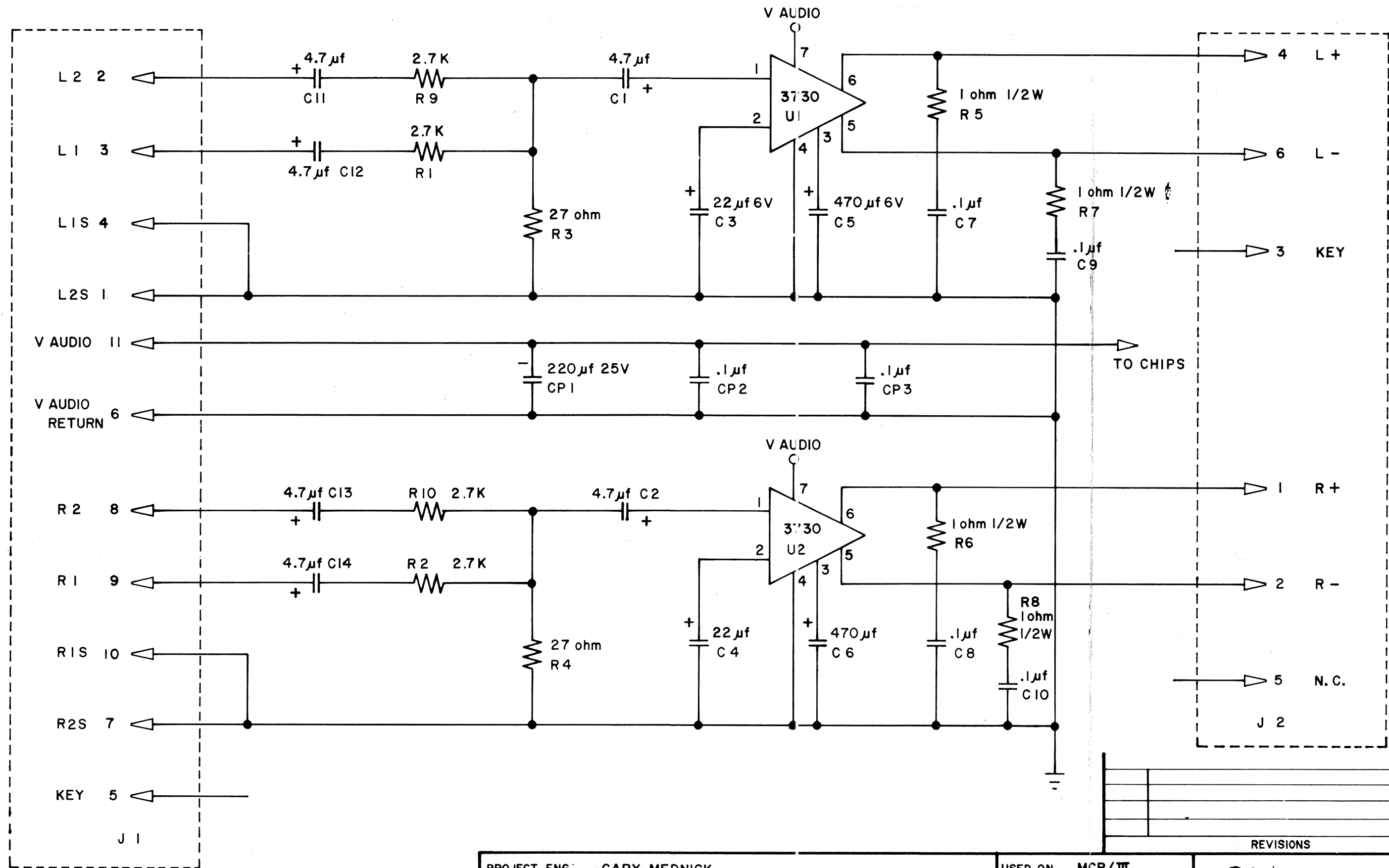
CROSS REFERENCE LIST

| DESCRIPTION | QTY | DESIGNATION NO. | PART NOS. | DESCRIPTION | QTY | DESIGNATION NO. | PART NOS. |
|--------------------------|-----|---|-----------------|-------------------------|-----|---------------------------|-----------------|
| 33 PF 50V AX. CER. | 1 | C101 | 0986-00800-0300 | 74LS32 | 4 | IC 1A, 1B, 6D, 1E | 0986-00803-0600 |
| 47 PF 50V AX. CER. | 7 | C102, C217-C222 | 0986-00800-2800 | 74LS74 | 4 | IC 5C, 6C, 10F, 11F | 0986-00803-1005 |
| 390 PF 50V AX. CER. | 18 | C105, C107, C201-C216 | 0986-00800-3000 | 74LS86 | 3 | IC 11B1, 1F, 2F | 0986-00803-9900 |
| 820 PF 50V AX. CER. | 4 | C223-C226 | 0945-00816-0400 | 74LS139 | 1 | IC 1D | 0304-00803-0042 |
| .01 MF 50V 20% AX. CER. | 43 | CP1-CP42, CP70 | 0986-00800-2200 | 74LS153 | 2 | IC 8E, 8F | 0986-00803-1000 |
| .1 MF 50V 20% AX. CER. | 2 | C103, C104 | 0986-00800-0200 | 74LS157 | 7 | IC 2D, 3D, 4D, 7D, 8D | 0986-00803-9700 |
| 10 MF 25V 10% AX. TANT. | 23 | CP43-CP65 | 0986-00800-3400 | 74LS161 | 1 | IC 3A | 0986-00803-1003 |
| 470 MF 16V AX. ELECT. | 4 | CP66-CP69 | 0986-00800-3300 | 74LS174 | 2 | IC 6E, 9E | 0986-00803-9800 |
| 10 OHM 1/4W 5% CRBN. | 6 | R212-R217 | 100E-00005-0011 | 74LS244 | 2 | IC 4B, 5B | 0986-00803-0800 |
| 39 OHM 1/4W 5% CRBN. | 1 | R102 | 100E-00005-0023 | 74LS245 | 2 | IC 3E, 4E | 0986-00803-0900 |
| 68 OHM 1/4W 5% CRBN. | 2 | R302, R303 | 100E-00005-0029 | 74LS273 | 4 | IC 7E, 3F, 4F, 7F | 0986-00803-1001 |
| 82 OHM 1/4W 5% CRBN. | 1 | R301 | 100E-00005-0031 | 74LS367 | 1 | IC 4A | 0986-00803-2200 |
| 100 OHM 1/4W 5% CRBN. | 1 | R219 | 100E-00005-0033 | 74S04 | 1 | IC 6A | 0986-00803-0400 |
| 470 OHM 1/4W 5% CRBN. | 3 | R221-R223 | 100E-00005-0051 | 74S161 | 1 | IC 9B1 | 0304-00803-0038 |
| 510 OHM 1/4W 5% CRBN. | 3 | R201, R204, R207 | 100E-00005-0053 | 93419 | 1 | IC 11E | 0986-00803-9600 |
| 560 OHM 1/4W 5% CRBN. | 2 | R210, R211 | 100E-00005-0054 | EPR0M | 6 | IC 1C, 2C, 3C, 4C, 5F, 6F | SEE NOTE |
| 820 OHM 1/4W 5% CRBN. | 1 | R220 | 100E-00005-0058 | MMCO1 | 1 | IC 11B2 | 0986-00803-8900 |
| 1K OHM 1/4W 5% CRBN. | 12 | R104, R105, R109-R114, R202, R205, R208, R218 | 100E-00005-0061 | MMCO2 | 1 | IC 13F | 0986-00803-9000 |
| 2K OHM 1/4W 5% CRBN. | 3 | R203, R206, R209 | 100E-00005-0068 | MMCO3 | 1 | IC 10B2 | 0986-00803-9100 |
| 4.7K OHM 1/4W 5% CRBN. | 4 | R106-R108, R115 | 100E-00005-0079 | MMCO7 | 1 | IC 3B | 0986-00804-3200 |
| 82K OHM 1/4W 5% CRBN. | 1 | R101 | 100E-00005-0112 | NV RAM | 1 | IC 6B | 0986-00803-8100 |
| 4.7K OHM 9 PIN SIP. | 1 | RM1 | 102E-00004-0024 | RAM | 1 | IC 5D | 0986-00803-1008 |
| 4.7K OHM 8 PIN SIP. | 2 | RM2, RM3 | 102E-00004-0025 | Z80B | 1 | IC 8B | 0304-00803-0041 |
| 4.7K OHM 6 PIN SIP. | 1 | RM4 | 102E-00004-0027 | Z80B CTC | 1 | IC 7B | 0304-00803-0040 |
| 1N5817 | 1 | D101 | 103E-00003-0009 | MCM06 | 1 | IC 12F | 0304-00803-9200 |
| 1N4148 | 1 | D102 | 103E-00002-0005 | FERRITE BEAD | 28 | FB1-FB28 | 0316-00804-0002 |
| 2N4123 | 1 | Q101 | 104E-00001-0007 | ICS 13FA, | 2 | ICS 13FA | 0986-00804-3600 |
| A 70 | 6 | Q102-Q107 | 104E-00002-0012 | ICS 11B2A | 2 | ICS 11B2A | 0986-00804-3700 |
| 2N4403 | 1 | Q108 | 104E-00002-0006 | ICS 13FB, | 2 | ICS 13FB | 0986-00804-3800 |
| | | | | ICS 11B2B | 3 | ICS 3B, ICS 10B2, | |
| 20 MHZ ± 0.1% OSCILLATOR | 1 | OSC1 | 0304-00804-0007 | ICS 12F | 2 | ICS 12F | |
| | | | | ICS 6B, ICS 5D | 2 | ICS 6B, ICS 5D | 0986-00804-3400 |
| | | | | ICS 7B, ICS 1C-4C, | 8 | ICS 7B, ICS 1C-4C, | 0986-00804-3900 |
| | | | | ICS 11E, ICS 5F, | | ICS 11E, ICS 5F, | |
| | | | | ICS 6F | 1 | ICS 6F | 0986-00804-3500 |
| | | | | ICS 8B | | ICS 8B | |
| | | | | FMD. HDR. .100C OMIT 3 | 1 | J2 | 3000-16366-0902 |
| | | | | FMD. HDR. .156C OMIT 15 | 1 | J1 | 3000-16387-2010 |
| | | | | HEADER | 5 | J3-J7 | 0986-00804-4700 |
| | | | | FLEX PACK JUMPERS | 5 | - | 0986-00804-4800 |
| | | | | JUMPERS | 6 | JW1-JW6 | 0986-00804-4000 |
| | | | | PUSH BUTTON SW. | 1 | SW1 | 0986-00804-3100 |
| | | | | 5 MHZ CPU BD. | 1 | | A080-91490-H000 |

NOTE: ROM PARTS NUMBERS AT BACK OF CATALOG.

| REVISIONS | |
|-----------|--|
| | |
| | |
| | |

| | | | | | |
|----------------------------------|---------------|------------|------------------------------|--|--|
| PROJECT ENG: R. PLOUSSARD | | USED ON | | Bally / MIDWAY MFG. CO. FRANKLIN PK. ILL. | |
| DO NOT SCALE DWG. | HEAT TREAT | SCALE FULL | NO. REQ'D | 1 PER | |
| DIM. TOLERANCES UNLESS SPECIFIED | DWG. RLL | DRAWN | ASSEMBLY DRAWING | | |
| UNCERTAINTY ± .001 | CHK. | FINISH | 5 MHZ CPU | | |
| FRACTIONAL DECIMAL | DATE 12/19/83 | | A082-91490-H000 | | |
| HOLE DIA ± .002 .000 | | | PART NO. M051 - 00304 - H009 | | |

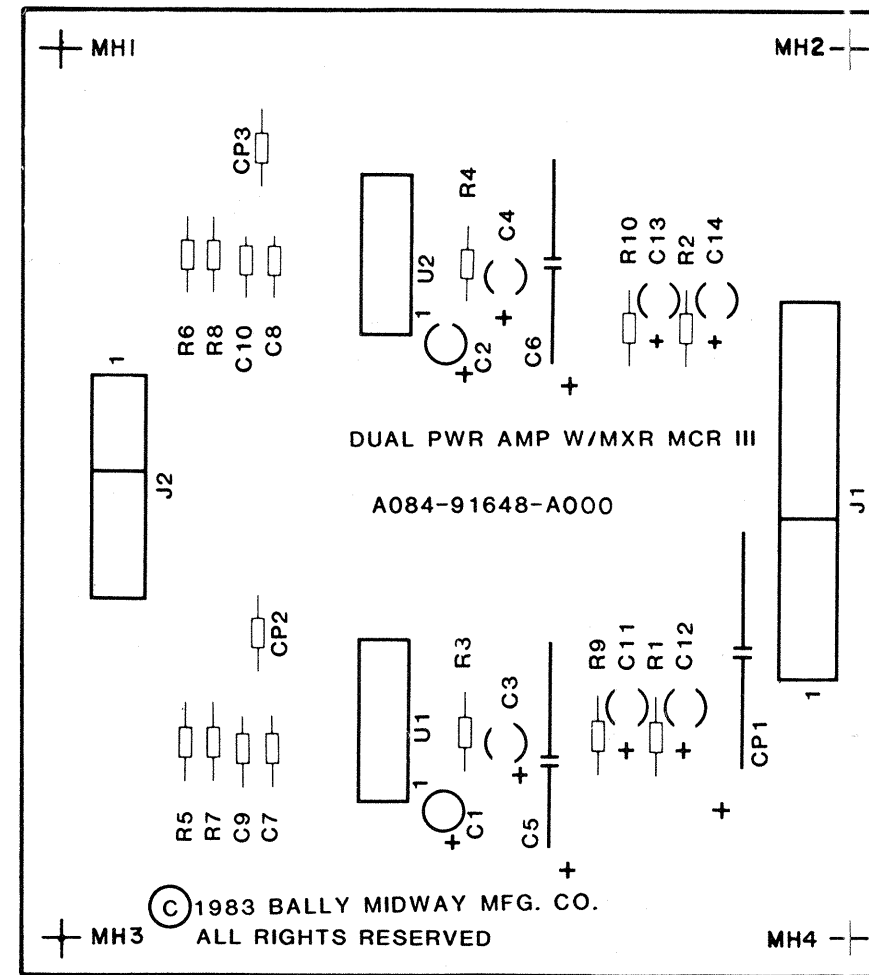


| REVISIONS | |
|-----------|--|
| | |
| | |
| | |
| | |

| | | | | | |
|---------------------------------|--|-----------------|----------------------------|--|---------------------|
| PROJECT ENG: CARY MEDNICK | | USED ON MCR/III | | Bally MIDWAY MFG. CO. FRANKLIN PK ILL | |
| DO NOT SCALE DWG | | HEAT TREAT | SCALE | NO. REQ'D PER | |
| DIM TOLERANCES UNLESS SPECIFIED | | MAT'L. | SCHEMATIC DRAWING | | PART NO. |
| CONCENTRICITY ± 0.01 | | FINISH | DUAL PWR AMP W/MXR MCR III | | M051 - 00304 - A013 |
| FRACTIONAL ± 0.005 | | DATE 6/30/83 | A084-91648-A000 | | |
| DECIMAL ± 0.005 | | | | | |
| HOLE DIA + 0.02 0.00 | | | | | |

DESIGNATION LIST

| DESIGNATION NO. | DESCRIPTION |
|--------------------|--------------------------|
| C1,C2 | 4.7 MF 25V RD TANT. |
| C3,C4 | 22 MF 6V RD TANT. |
| C5,C6 | 470 MF 6V AX ELECT. |
| C7-C10 | .1 MF 50V AX CR. |
| C11-C14 | 4.7 MF 25V RD TANT |
| CP1 | 220 MF 25V AX ELECT. |
| CP2,CP3 | .1 MF 50V AX CR. |
| R1,R2 | 2.7K OHM 1/4W 5% CRBN. |
| R3,R4 | 27 OHM 1/4W 5% CRBN. |
| R5-R8 | 1 OHM 1/2W 5% CRBN. |
| R9,R10 | 2.7K OHM 1/4W 5% |
| U1,U2 | MB3730 |
| J1 | .045 SQ. PIN |
| J2 | .045 SQ. PIN |
| HSU1,U2 | HEATSINK ASSY |
| MH1-MH4 | 1/4" SPACER FOR #8 SCREW |
| DUAL PWR AMP W/MXR | A080-91648-A000 |

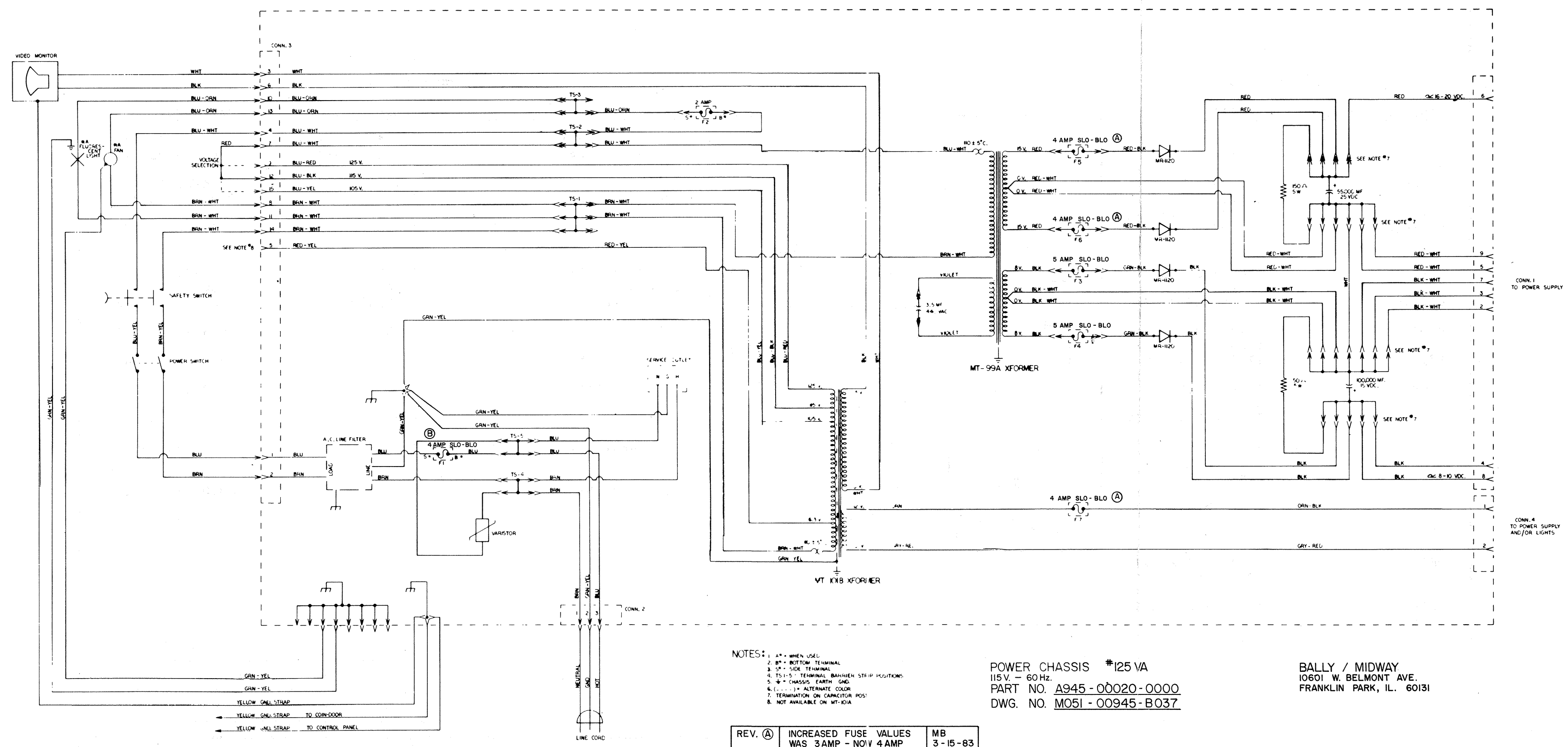


CROSS REFERENCE LIST

| DESCRIPTION | QTY | DESIGNATION NO. | PART NOS. |
|--------------------------|-----|-----------------|-----------------|
| .1 MF 50V AX CR. | 6 | C7-C10,CP2,CP3 | 0986-00800-1100 |
| 4.7 MF 25V RD TANT. | 6 | C1,C2,C11-C14 | 0986-00800-3100 |
| 22 MF 6V RD TANT | 2 | C3,C4 | 0986-00800-1600 |
| 220 MF 25V AX ELECT. | 1 | CP1 | 0986-00800-3200 |
| 470 MF 6V AX ELECT. | 2 | C5,C6 | 0986-00800-1700 |
| 1 OHM 1/2W 5% | 4 | R5-R8 | 0062-02603-1XXX |
| 27 OHM 1/4W 5% | 2 | R3,R4 | 0062-068B3-1XXX |
| 2.7K 1/4W 5% | 4 | R1,R2,R9,R10 | 0062-199B3-1XXX |
| MB3730 | 2 | U1,U2 | 0066-188XX-XX4X |
| .045 SQ. PIN | 5 | J2 | 0017-00033-0480 |
| .045 SQ. PIN | 10 | J1 | 0017-00033-0480 |
| HEATSINK ASSY | 2 | HSU1,HSU2 | A986-00010-0000 |
| 1/4" SPACER FOR #8 SCREW | 4 | MH1-MH4 | 0017-00042-0320 |
| DUAL PWR AMP W/MXR | 1 | | A080-91648-A000 |

| REVISIONS | |
|-----------|--|
| | |
| | |
| | |

| | | | | | |
|---------------------------------|--|-----------------|-----------------|---|--|
| PROJECT ENG: C. MEDNICK | | USED ON MCR III | | Bally / MIDWAY MFG. CO. FRANKLIN PK. ILL. | |
| DO NOT SCALE DIMS. | | SCALE FULL | NO. REQ'D 1 PER | | |
| DIM TOLERANCES UNLESS SPECIFIED | | DRN. RLW | MAT L. | ASSEMBLY DWG. DUAL POWER AMP W/ MIXER MCR III A080-91648-A000 | |
| UNLESS OTHERWISE SPECIFIED | | CKD. | FINISH | | |
| HOLE DIA. + .002 0.00 | | DATE 07/05/83 | | | |



- NOTES:
- 1. * - WHEN USED.
 - 2. B* - BOTTOM TERMINAL.
 - 3. S* - SIDE TERMINAL.
 - 4. TS1-5 - TERMINAL BANQUET STRIP POSITIONS.
 - 5. * - CHASSIS EARTH GND.
 - 6. (...) - ALTERNATE COLOR.
 - 7. TERMINATION ON CAPACITOR POS.
 - 8. NOT AVAILABLE ON MT-101A.

POWER CHASSIS *125 VA
 115 V. - 60 HZ.
 PART NO. A945-00020-0000
 DWG. NO. M051-00945-B037

BALLY / MIDWAY
 10601 W. BELMONT AVE.
 FRANKLIN PARK, IL. 60131

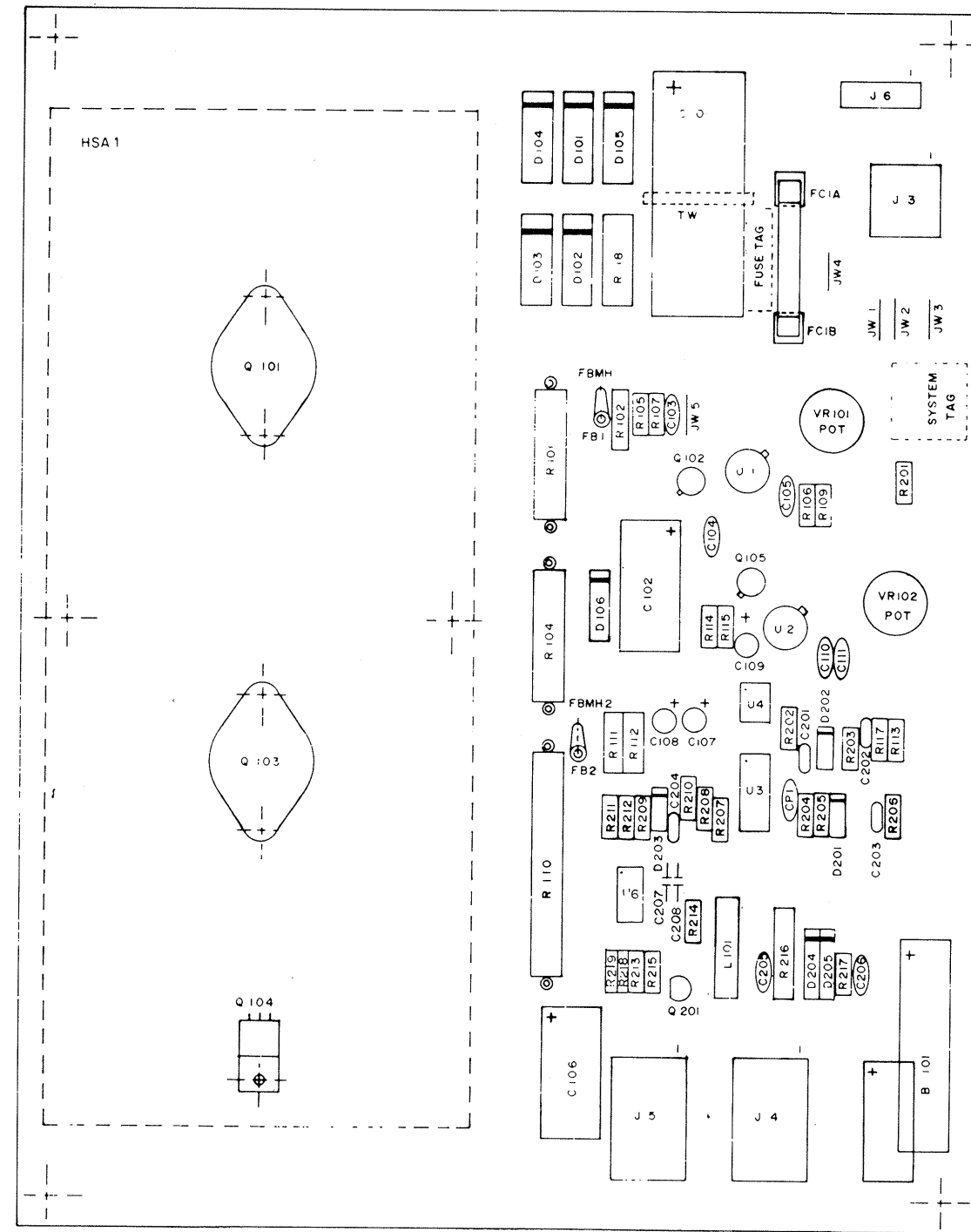
| | | |
|----------|---|---------------|
| REV. (A) | INCREASED FUSE VALUES WAS 3 AMP - NOV 4 AMP ADDED PART NO. (UL) | MB 3-15-83 |
| REV. (B) | INCREASED FUSE VALUE WAS 3AMP - NOV 4AMP | MB 3-24-83 |

CONN. 1 TO POWER SUPPLY

CONN. 4 TO POWER SUPPLY AND/OR LIGHTS

DESIGNATION LIST

| DESIGNATION # | DESCRIPTION | DESIGNATION # | DESCRIPTION |
|---------------|--------------------------|---------------|--------------------------------|
| C101 | 4700uf AX. ELECT. | | |
| C102 | 470uf AX. ELECT. | | |
| C103 | .1uf AX. CER. | D101 | A15F |
| C104 | .1uf AX. CER. | D102 | A15F |
| C105 | 47pf AX. CER. | D103 | A15F |
| C106 | 470uf AX. ELECT. | D104 | A15F |
| C107 | 100uf RD. TANT. | D105 | A15F |
| C108 | 1uf RD. TANT. | D106 | 1N4001 |
| C109 | 4.7uf RD. TANT. | D201 | 1N4148 |
| C110 | .1uf AX. CER. | D202 | 1N4148 |
| C111 | .1uf AX. CER. | D203 | 1N4148 |
| C201 | .01uf MYLAR | D204 | 1N4001 |
| C202 | .033uf MYLAR | D205 | 1N4001 |
| C203 | .01uf MYLAR | | |
| C204 | .047uf MYLAR | | |
| C205 | 820pf AX. CER. | | |
| C206 | .01uf AX. CER. | | |
| C207 | 0.082uf MYLAR | | |
| | | Q102 | 2N2905 |
| | | Q105 | 2N2905 |
| | | Q201 | 2N4401 |
| CP1 | .1uf AX. CER. | U1 | LM305 REG. |
| | | U2 | LM305 REG. |
| | | U3 | LM3900 |
| | | U4 | 4N28 |
| | | U6 | 555 |
| R101 | .18ohm 5W W/RES. SPACER | | |
| R102 | 68ohm 1/2W 5% | | |
| R104 | 10ohm 5W W/RES. SPACER | L101 | .22uH INDUCTOR |
| R105 | 27ohm 1/4W 5% | | |
| R106 | 270ohm 1/4W 5% | | |
| R107 | 6.2K 1/4W 5% | | |
| | | B101 | BATTERY 3.6VDC 60DEG-C |
| | | F1 | 3 BA S BLO FUSE |
| R109 | 1K 1/4W 5% | | |
| R110 | .16ohm 15W W/RES. SPACER | FC1A,1B | FUSE CLIP |
| R111 | 6.8ohm 1/2W 5% | | |
| R112 | 68ohm 1/2W 5% | FB1,2 | FERRITE BEAD |
| R113 | 1.2K 1/4W 5% | | |
| R114 | 47ohm 1/4W 5% | | |
| R115 | 160ohm 1/4W 5% | TW1 | TIE WRAP |
| | | | |
| R117 | 560ohm 1/4W 5% | J3 | 9PIN P.C. MOUNT CONN.(MALE) |
| R118 | 150ohm 2W | J4 | 15PIN P.C. MOUNT CONN.(FEMALE) |
| R201 | 270ohm 1/4W 5% | J5 | 15PIN P.C. MOUNT CONN.(MALE) |
| R202 | 1.2K 1/4W 5% | J6 | 3PIN P.C. MOUNT CONN.(MALE) |
| R203 | 1.1M 1/4W 5% | | |
| R204 | 3.3M 1/4W 5% | LB1 | FUSE TAG |
| R205 | 10M 1/4W 5% | LB2 | SYSTEM TAG |
| R206 | 100K 1/4W 5% | | |
| R207 | 33K 1/4W 5% | HSA1 | HEAT SINK ASS'Y 1 |
| R208 | 2M 1/4W 5% | | |
| R209 | 1M 1/4W 5% | MHSA1 | MOUNTING HARD WARE(HEAT SINK) |
| R210 | 1.2M 1/4W 5% | | |
| R211 | 75K 1/4W 5% | | |
| R212 | 75K 1/4W 5% | | |
| R213 | 220K 1/4W 5% | | |
| R214 | 3.9K 1/4W 5% | | |
| R215 | 1.2K 1/4W 5% | | |
| R216 | 82ohm 1W 10% | JW1-5 | JUMPER WIRE |
| R217 | 270ohm 1/4W 5% | | |
| R218 | 110K 1/4W 5% | | |
| R219 | 68ohm 1/2W 5% | FBMH1,2 | FERRITE BEAD MOUNTING HARDWARE |
| VR101,102 | 100ohm POT | | |



| DESCRIPTION | Q'ty | DESIGNATION # | PART # | DESCRIPTION | Q'ty | DESIGNATION # | PART # |
|------------------|------|----------------------|-----------------|------------------------|------|---------------|-----------------|
| .7pf AX. CER. | 1 | C105 | 0945-00811-0100 | LM305 REG. | 2 | U1,2 | 0945-00813-0100 |
| .120pf AX. CER. | 1 | C205 | 0945-00816-0400 | FUSE 3/8A S-BLO | 1 | U6 | 0929-00810-4500 |
| .31uf AX. CER. | 2 | C206,208 | 0945-00816-0100 | FUSE CLIP | 2 | FC1A,1B | 0945-00813-0200 |
| .31uf MYLAR | 2 | C201,203 | 0945-00816-0200 | TIE WRAP | 1 | TW1 | 0945-00813-0300 |
| .333uf MYLAR | 1 | C202 | 0945-00816-0500 | FERRITE BEAD | 2 | FB1,2 | 0017-00009-0225 |
| .347uf MYLAR | 1 | C204 | 0945-00816-0300 | FERRITE MOUNTING HDW. | 2 | FBMH1,2 | 0017-00033-0139 |
| 0.082uf AX. CER. | 1 | C207 | 0945-00816-1900 | BATTERY 3.6VDC 60DEG-C | 1 | B101 | 0017-00003-0377 |
| .1uf AX. CER. | 5 | C103,104,110,111,CP1 | 0945-00811-0200 | FUSE 3/8A S-BLO | 1 | F1 | 0945-00808-0400 |
| 1uf RAD. TANT. | 1 | C108 | 0915-00811-0300 | FUSE CLIP | 2 | FC1A,1B | 0017-00003-0214 |
| 4.7uf RAD. TANT. | 1 | C109 | 0945-00811-0400 | TIE WRAP | 1 | TW1 | 0945-00814-0300 |
| 100uf RAD. TANT. | 1 | C107 | 0945-00811-0500 | FERRITE BEAD | 2 | FB1,2 | 0017-00009-0225 |
| 470uf AX. ELECT. | 2 | C102,106 | 0945-00816-0600 | FERRITE MOUNTING HDW. | 2 | FBMH1,2 | 0017-00033-0139 |
| 470uf AX. ELECT. | 1 | C101 | 0945-00811-0700 | BATTERY 3.6VDC 60DEG-C | 1 | B101 | 0017-00003-0377 |
| | | | | FUSE 3/8A S-BLO | 1 | F1 | 0945-00808-0400 |
| .16ohm 15W 5% | 1 | R110 | 0945-00815-0100 | FUSE CLIP | 2 | FC1A,1B | 0017-00003-0214 |
| .18ohm 5W 5% | 1 | R101 | 0945-00815-0200 | TIE WRAP | 1 | TW1 | 0945-00814-0300 |
| .8ohm 1/2W 5% | 1 | R111 | 0062-047D3-1XXX | FERRITE BEAD | 2 | FB1,2 | 0017-00009-0225 |
| 10ohm 5W 5% | 1 | R104 | 0945-00812-0100 | FERRITE MOUNTING HDW. | 2 | FBMH1,2 | 0017-00033-0139 |
| 27ohm 1/4W 5% | 1 | R105 | 0062-068B3-1XXX | BATTERY 3.6VDC 60DEG-C | 1 | B101 | 0017-00003-0377 |
| 47ohm 1/4W 5% | 1 | R114 | 0062-086B3-1XXX | FUSE 3/8A S-BLO | 1 | F1 | 0945-00808-0400 |
| 68ohm 1/2W 5% | 3 | R102,112,219 | 0062-098D3-1XXX | FUSE CLIP | 2 | FC1A,1B | 0017-00003-0214 |
| 82ohm 1W 10% | 1 | R216 | 0062-104F5-1XXX | TIE WRAP | 1 | TW1 | 0945-00814-0300 |
| 150ohm 2W 5% | 1 | R118 | 0945-00812-0200 | FERRITE BEAD | 2 | FB1,2 | 0017-00009-0225 |
| 160ohm 1/4W 5% | 1 | R115 | 0062-124B3-1XXX | FERRITE MOUNTING HDW. | 2 | FBMH1,2 | 0017-00033-0139 |
| 270ohm 1/4W 5% | 3 | R106,201,217 | 0062-138B3-1XXX | BATTERY 3.6VDC 60DEG-C | 1 | B101 | 0017-00003-0377 |
| 560ohm 1/4W 5% | 1 | R117 | 0062-162B3-1XXX | FUSE 3/8A S-BLO | 1 | F1 | 0945-00808-0400 |
| 1K 1/4W 5% | 1 | R109 | 0062-179B3-1XXX | FUSE CLIP | 2 | FC1A,1B | 0017-00003-0214 |
| 1.2K 1/4W 5% | 3 | R113,202,215 | 0062-183B3-1XXX | TIE WRAP | 1 | TW1 | 0945-00814-0300 |
| 3.9K 1/4W 5% | 1 | R214 | 0062-207B3-1XXX | FERRITE BEAD | 2 | FB1,2 | 0017-00009-0225 |
| 6.2K 1/4W 5% | 1 | R107 | 0062-207B3-1XXX | FERRITE MOUNTING HDW. | 2 | FBMH1,2 | 0017-00033-0139 |
| 33K 1/4W 5% | 1 | R207 | 0062-217B3-1XXX | BATTERY 3.6VDC 60DEG-C | 1 | B101 | 0017-00003-0377 |
| 75K 1/4W 5% | 2 | R207 | 0062-251B3-1XXX | FUSE 3/8A S-BLO | 1 | F1 | 0945-00808-0400 |
| 100K 1/4W 5% | 1 | R211,212 | 0062-269B3-1XXX | FUSE CLIP | 2 | FC1A,1B | 0017-00003-0214 |
| 10K 1/4W 5% | 1 | R206 | 0062-275B3-1XXX | TIE WRAP | 1 | TW1 | 0945-00814-0300 |
| 220K 1/4W 5% | 1 | R218 | 0062-277B3-1XXX | FERRITE BEAD | 2 | FB1,2 | 0017-00009-0225 |
| 1M 1/4W 5% | 1 | R213 | 0062-291B3-1XXX | FERRITE MOUNTING HDW. | 2 | FBMH1,2 | 0017-00033-0139 |
| 1.1M 1/4W 5% | 1 | R209 | 0062-323B3-1XXX | BATTERY 3.6VDC 60DEG-C | 1 | B101 | 0017-00003-0377 |
| 1.2M 1/4W 5% | 1 | R203 | 0062-325B3-1XXX | FUSE 3/8A S-BLO | 1 | F1 | 0945-00808-0400 |
| 2M 1/4W 5% | 1 | R210 | 0062-327B3-1XXX | FUSE CLIP | 2 | FC1A,1B | 0017-00003-0214 |
| 3.3M 1/4W 5% | 1 | R208 | 0062-337B3-1XXX | TIE WRAP | 1 | TW1 | 0945-00814-0300 |
| 10M 1/4W 5% | 1 | R204 | 0062-347B3-1XXX | FERRITE BEAD | 2 | FB1,2 | 0017-00009-0225 |
| | | R205 | 0062-371B3-1XXX | FERRITE MOUNTING HDW. | 2 | FBMH1,2 | 0017-00033-0139 |
| 100ohm POT | 2 | VR101,102 | 0945-00814-0000 | BATTERY 3.6VDC 60DEG-C | 1 | B101 | 0017-00003-0377 |

CROSS REFERENCE LIST

| | | | | | |
|--------------------------------|-------|-------------------------|-----------------|-----------------|--|
| PROJ. ENG.: L. DEKKER | | USED ON: SATAN'S HOLLOW | | MIDWAY MFG. CO. | |
| DO NOT SCALE DWG | SCALE | FULL | NO REQ'D | FRANKLIN PK ILL | |
| ASSEMBLY DRAWING 125VA PWRSPLY | | | PART NO. | | |
| 5/17/82 | | | A082-90412-D000 | | |
| | | | M051-00945-D006 | | |