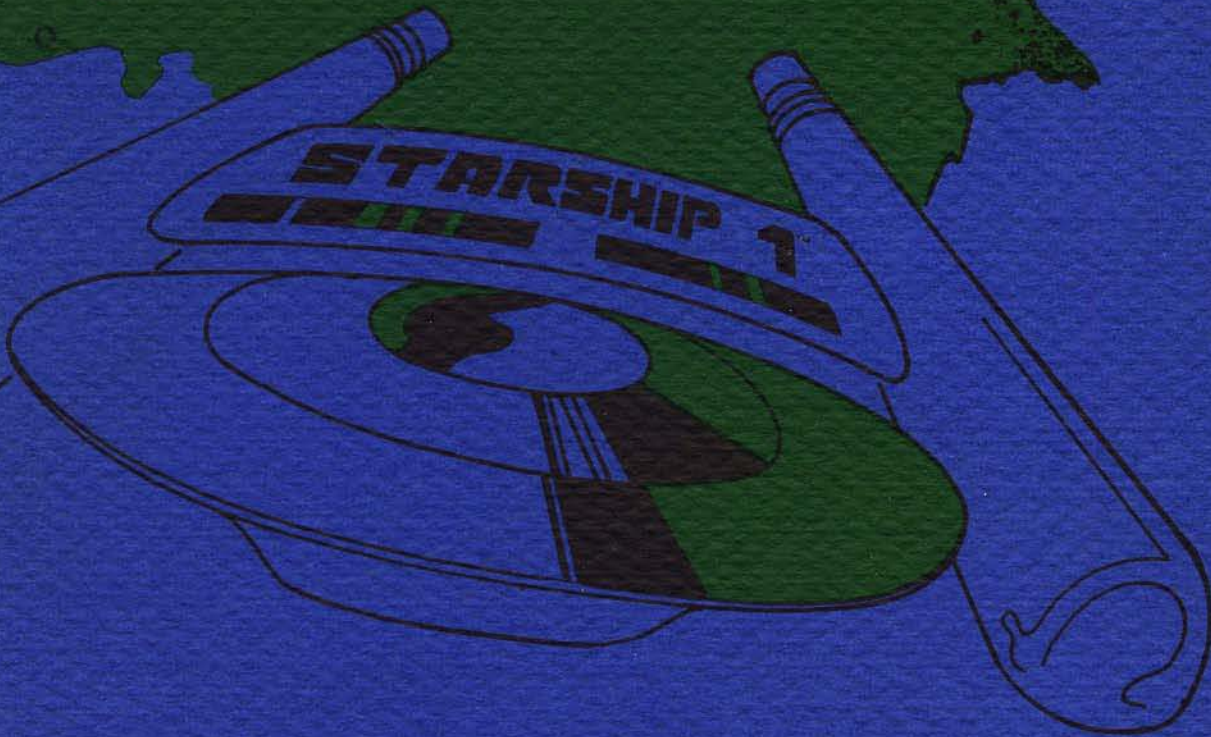




STARSHIP 1™



Operation, Maintenance and Service Manual

WARRANTY

Seller warrants that its printed circuit boards and parts thereon are free from defects in material and workmanship under normal use and service for a period of ninety (90) days from date of shipment. Seller warrants that its television monitors (in games supplied with monitors) are free from defects in material and workmanship under normal use and service for a period of thirty (30) days from date of shipment. None of the Seller's other products or parts thereof are warranted.

If the products described in this manual fail to conform to this warranty, Seller's sole liability shall be, at its option, to repair, replace, or credit Buyer's account for such products which are returned to Seller during said warranty period, provided:

(a) Seller is promptly notified in writing upon discovery by Buyer that said products are defective;

(b) Such products are returned prepaid to Seller's plant; and

(c) Seller's examination of said products discloses to Seller's satisfaction that such alleged defects existed and were not caused by accident, misuse, neglect, alteration, improper repair, installation or improper testing.

In no event shall Seller be liable for loss of profits, loss of use, incidental or consequential damages.

EXCEPT FOR ANY EXPRESS WARRANTY SET FORTH IN A WRITTEN CONTRACT BETWEEN SELLER AND BUYER WHICH CONTRACT SUPERSEDES THE TERMS OF THIS ORDER, THIS WARRANTY IS EXPRESSED IN LIEU OF ALL OTHER WARRANTIES EXPRESSED OR IMPLIED, INCLUDING THE IMPLIED WARRANTIES OF MERCHANTABILITY AND FITNESS FOR A PARTICULAR PURPOSE, AND OF ALL OTHER OBLIGATIONS OR LIABILITIES ON THE SELLER'S PART, AND IT NEITHER ASSUMES NOR AUTHORIZES ANY OTHER PERSON TO ASSUME FOR THE SELLER ANY OTHER LIABILITIES IN CONNECTION WITH THE SALE OF PRODUCTS UNDER THIS ORDER.

This document is and contains confidential trade secret information of Atari, Inc.

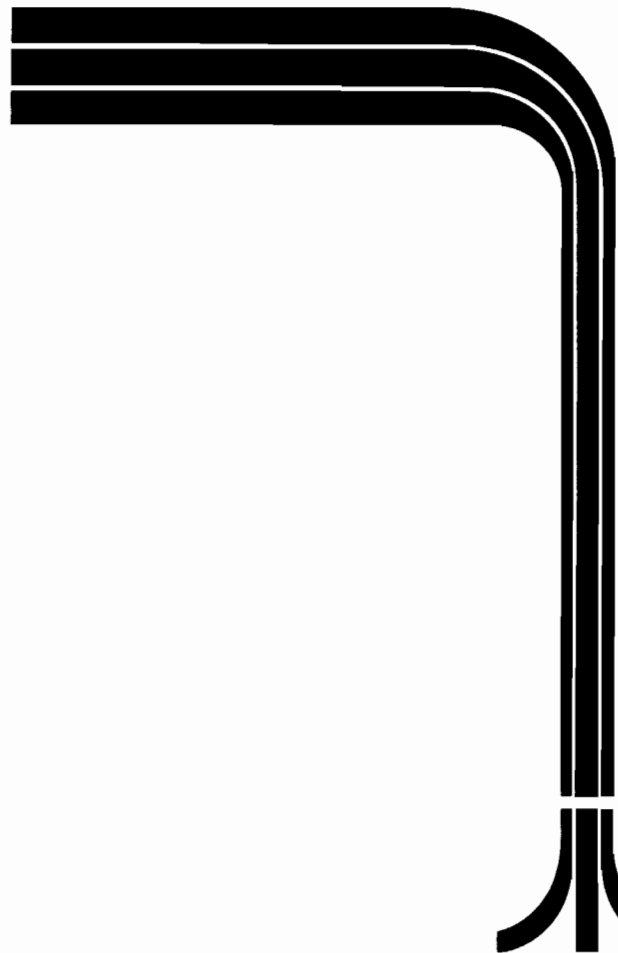
This document is loaned under confidential custody for the sole purpose of operation, maintenance or repair of Atari equipment and may not be used by or disclosed to any person for any other purpose whatever, and remains the property of Atari, Inc.

Neither it nor the information it contains may be reproduced, used, or disclosed to persons not having a need to know consistent with the purpose of the loan, without written consent of Atari, Inc.

STARSHIP 1™

Operation, Maintenance and Service Manual

ATARI INC
1265 BORREGAS AVENUE
P.O. BOX 9027
SUNNYVALE, CALIFORNIA 94086
408/745-2000 • TELEX 35-7488



ATARI®

All rights reserved. Copyright © 1977 by Atari, Inc.

No part of this publication may be reproduced by any mechanical, photographic, or electronic process, or in the form of a phonographic recording, nor may it be stored in a retrieval system, transmitted, or otherwise copied for public or private use, without permission from the publisher.

For permission requests, write:

**ATARI INC.
1265 BORREGAS AVENUE
P.O. BOX 9027
SUNNYVALE, CA 94086**

7F

Lithographed in the U.S.A.

TABLE OF CONTENTS

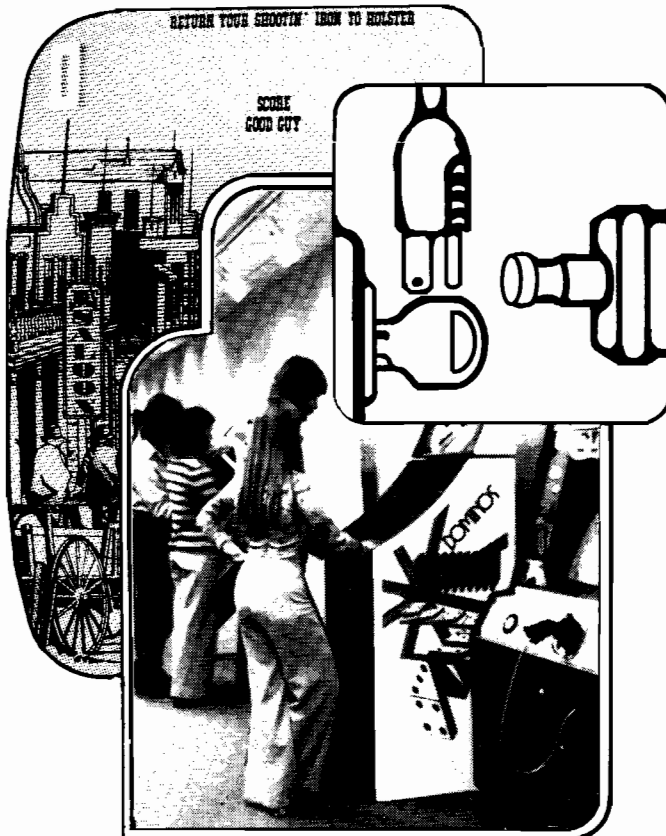
| | | |
|----------|---|----|
| 1 | LOCATION SETUP | |
| A. | INTRODUCTION | 1 |
| B. | GAME INSPECTION | 2 |
| C. | INSTALLATION REQUIREMENTS | 2 |
| | Power Requirements | 2 |
| | Temperature Range | 2 |
| | Humidity Range | 3 |
| | Location Space Required | 3 |
| | Length and Type of Power Cord | 3 |
| D. | INTERLOCK AND POWER ON/OFF SWITCHES | 3 |
| E. | SELF-TEST PROCEDURE IN TABLE 1 | 3 |
| F. | OPERATOR OPTIONS IN TABLE 2 | 3 |
| G. | VOLUME CONTROL | 7 |
| 2 | GAME PLAY | |
| A. | ATTRACT MODE | 9 |
| B. | READY-TO-PLAY MODE | 10 |
| C. | PLAY MODE | 10 |
| 3 | MAINTENANCE AND ADJUSTMENTS | |
| A. | CLEANING | 11 |
| B. | COIN MECHANISM | 12 |
| | Components on Coin Door | 12 |
| | Access to Coin Mechanisms | 12 |
| | Cleaning of Coin Paths | 13 |
| | Adjustment of Coin Switch Trip Wire | 14 |
| | Mechanical Adjustments on Coin Mechanism | 14 |
| | General Troubleshooting Hints | 14 |
| C. | FUSE REPLACEMENT | 14 |
| D. | LAMP REPLACEMENT | 17 |
| E. | REMOVING THE CONTROL PANEL | 17 |
| F. | CONTROL YOKE | 17 |
| G. | ADJUSTING THE CRASH CIRCLE | 17 |
| H. | REMOVING THE TV MONITOR | 18 |
| 4 | THEORY OF OPERATION | |
| A. | GENERAL INFORMATION | 21 |
| B. | POWER SUPPLIES | 22 |
| C. | CRYSTAL OSCILLATOR AND TV SYNC COUNTDOWN CHAINS | 22 |
| D. | MICROCOMPUTER | 23 |
| E. | INPUT/OUTPUT | 23 |
| | Digital Output | 23 |
| | Inputs | 23 |
| F. | VIDEO SECTION | 23 |
| G. | STARFIELD CIRCUIT | 23 |
| H. | SPACESHIP CIRCUIT | 23 |
| I. | LASER CIRCUIT | 24 |
| J. | ALPHANUMERICS GENERATOR | 24 |
| K. | CIRCLE GENERATOR | 24 |
| L. | VIDEO PRIORITY CIRCUIT | 24 |
| M. | AUDIO SECTION | 24 |

LIST OF ILLUSTRATIONS

| | | |
|-----------|---|----|
| Figure 1 | Location of Voltage-Changing Plugs | 2 |
| Figure 2 | Location of Power On/Off and Interlock Switches | 4 |
| Figure 3 | Location of Game Time and Volume Adjustments | 7 |
| Figure 4 | Coin Door Assembly | 12 |
| Figure 5 | Hinging Open the Magnet Gate Assembly | 12 |
| Figure 6 | Removal of Coin Mechanism | 13 |
| Figure 7 | Surfaces to Clean Inside the Coin Mechanism | 13 |
| Figure 8 | Removal of Plate Covering Rear of Coin Slot | 13 |
| Figure 9 | Close-up View of Lubrication Point | 14 |
| Figure 10 | Detail View of Coin Switch and Trip Wire | 14 |
| Figure 11 | Adjustments on Coin Mechanism | 15 |
| Figure 12 | Removing the Cabinet Light Assembly | 16 |
| Figure 13 | Removing the PROTON TORPEDOS Pushbutton Lamps | 17 |
| Figure 14 | Locations of Crash Circle Adjustments | 18 |
| Figure 15 | Removal of TV Monitor | 19 |
| Figure 16 | Starship 1 Game Block Diagram | 22 |
| Figure 17 | Starship 1 PCB Block Diagram | 26 |
| Figure 18 | TV Monitor Schematic | 29 |
| Figure 19 | Starship 1 Game Harness Diagram | 30 |
| Figure 20 | Starship 1 PCB Schematic Diagram | 34 |

LIST OF TABLES

| | | |
|---------|--------------------------------|---|
| Table 1 | Starship 1 Self-Test Procedure | 5 |
| Table 2 | Option Switch Settings | 6 |

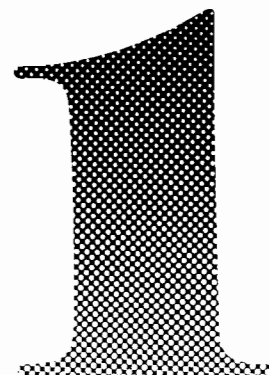


LOCATION SETUP

A. INTRODUCTION

Atari's Starship 1™ is a futuristic one-player computer-controlled game that simulates space flight. The object of the game is to destroy alien spacecraft while maneuvering through star and asteroid fields. A player's score is determined by the number of alien spacecraft destroyed.

You, the owner of Starship 1, have options available in the game. The options are for the number of coins necessary to play the game and whether or not extended play is awarded. These options are selected by removing the game printed circuit board from the metal RF box and setting switches as desired.



Starship 1, like all recent Atari video games, has a self-test function that tests approximately 75% of the game's circuitry. By energizing the Self-Test function, you can determine if the game *is* or *is not* operating properly.

B. GAME INSPECTION

Your new Starship 1 is manufactured by Atari with the intent of being ready to play right out of the shipping carton. However since we cannot be sure that the shipper delivered Starship 1 to you in one piece, we need your cooperation in supplying the last touch of quality control. Therefore, we at Atari would appreciate your following the procedures below to ensure that you are getting the quality of game that you expect from Atari.

1. Examine the external parts of the game cabinet for dents, chips, or broken parts. If you have purchased this game as a new unit, make sure that it looks new.
2. Unlock and open the rear access door. Examine the inside of the game cabinet for anything that appears broken or out of place.

C. INSTALLATION REQUIREMENTS

All special requirements for the installation of the game are listed as follows:

Power Requirements:

Atari ships Starship 1 for the domestic operation on 110 VAC, rated at approximately 150 watts. The game can be changed to operate at 95 VAC by unplugging the Molex connector plug (see Figure 1 for location of plug) with orange wires (110 VAC) and plugging in the Molex connector plug with black wires (95 VAC).

For those operating the game on 220 VAC (50 Hz), use the Molex connector plug that has red wires. For a location voltage that is less than 210 VAC use the Molex connector plug with green wires (205 VAC).

Temperature Range:

Location and storage temperature ranges should be no lower than zero degrees Celsius (32 degrees Fahrenheit) to no higher than 49 degrees Celsius (120 degrees Fahrenheit).

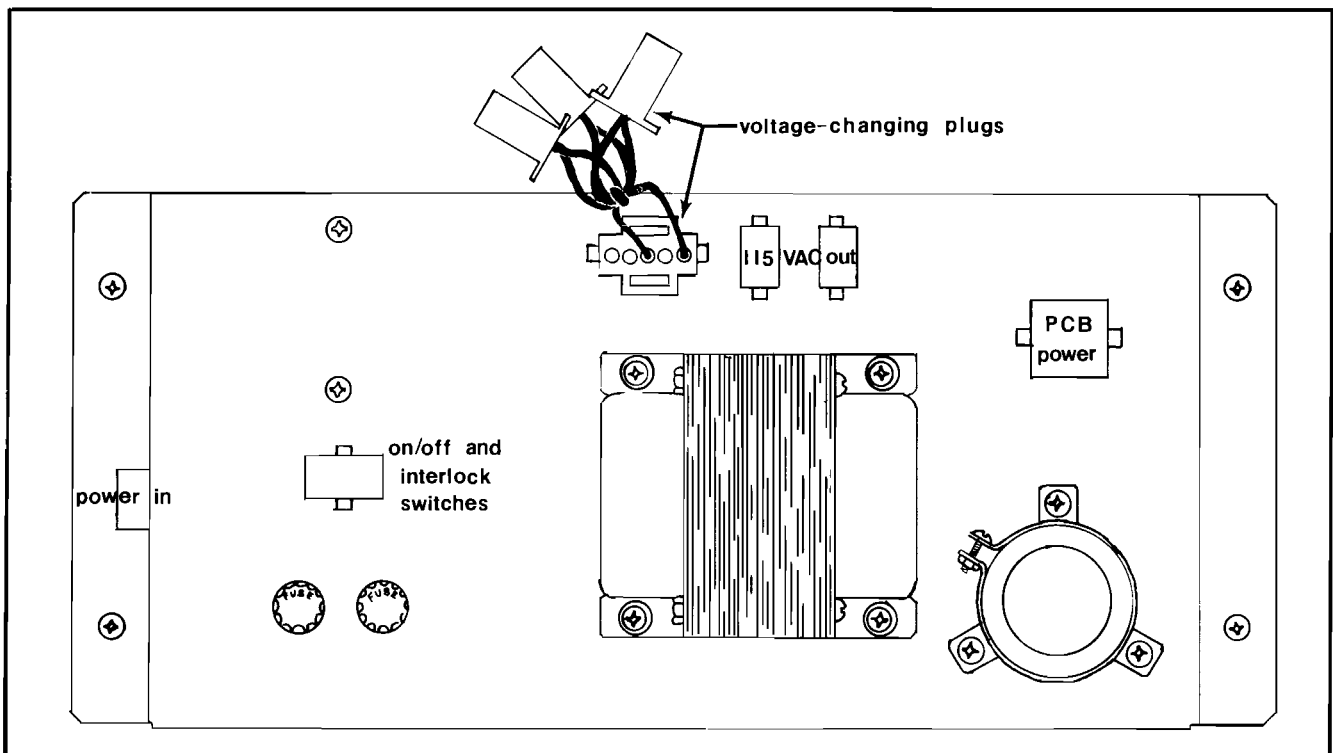


Figure 1 Location of Voltage-Changing Plugs

Humidity Range:

Location and storage relative humidity should be no more than 95%.

Location Space Required:

Starship 1 requires a minimum of 185 centimeters (73 inches) of vertical clearance, a minimum of 75 centimeters (29.5 inches) of width clearance, and 152 centimeters (60 inches) of depth clearance. Depth clearance includes 61 centimeters (24 inches) of minimum player space.

Length and Type of Power Cord:

Atari has added a 1.83-meter (six-foot) strain relief power cord to Starship 1. The advantage of the strain relief cord is that if someone trips over the cord, the cord will break off just inside the game cabinet. Tripping over a non-strain relief cord may result in ripping out the insides of a game.

D. INTERLOCK AND POWER ON/OFF SWITCHES

Atari had two concerns that resulted in our installing two on/off switches, as illustrated in Figure 2. The first concern was to minimize the hazard of electrical shock while you are working inside the game cabinet. Therefore, we installed an interlock switch on the rear access door frame that completely removes power from the game when the access door is open.

Our second concern was energy conservation. A power on/off switch has been added to Starship 1 so that the game can be turned off during low business periods and closing hours. This switch is conveniently hidden on the right side of the top panel, near the rear of the game cabinet.

Please check for the proper operation of the rear access interlock switch by performing the following:

1. Unlock and open the rear access door.
2. Plug the AC power cord into a 110-volt source. (If the voltage is less than 100 VAC, make sure that the voltage plug is changed to the black plug.)
3. Set the power on/off switch to the *on* position by flipping the toggle switch toward the front of the game cabinet.
4. Close the rear access door. Within approximately thirty seconds the TV monitor should display a picture.

5. Slowly open the rear access door until the TV monitor picture disappears. The TV monitor picture should disappear when the rear access door is opened to less than one-inch at the top of the door.
6. Close and lock the rear access door. If the results of Step 5 are OK, then the interlock switch is operating properly. If not OK, check to see if the switch is broken from its mounting or stuck in the *on* position.

E. SELF-TEST PROCEDURE IN TABLE 1

Starship 1 will test itself and provide data to communicate with you that the game's circuitry and controls are working properly. We suggest that you do the Starship 1 Self-Test Procedure each time you empty the coins from the game's cash box.

There are three tests performed with the self-test switch on. The first test is done completely by the Starship 1 computer. In this test, the computer determines if its memory is OK. In the second test, you activate each switch to determine if they are operating properly. In the third test, you move the control yoke to determine if it is operating properly.

The fourth test is performed with the self-test switch in the *off* position. In this test you determine if the coin acceptors are operating properly.

Perform the Self-Test by following the instructions of Table 1.

F. OPERATOR OPTIONS IN TABLE 2

At this time, decide what options are best suited for your location of the Starship 1 game. The coinage options on Starship 1 are 2 games per coin, 1 game per coin, or 2 coins per game. Starship also has a time option ranging from a one-minute to a one-and-one-half-minute game.

Set the options of the game as described in Table 2. Refer to Figure 3 for the location of the option controls.

If you decide to have a bonus time option, install the BONUS TIME player notice (comes in poly bag with new game) on the bezel immediately inside the game cabinet above the player controls. Refer to Chapter 3 for instructions for the removal of the front housing assembly.

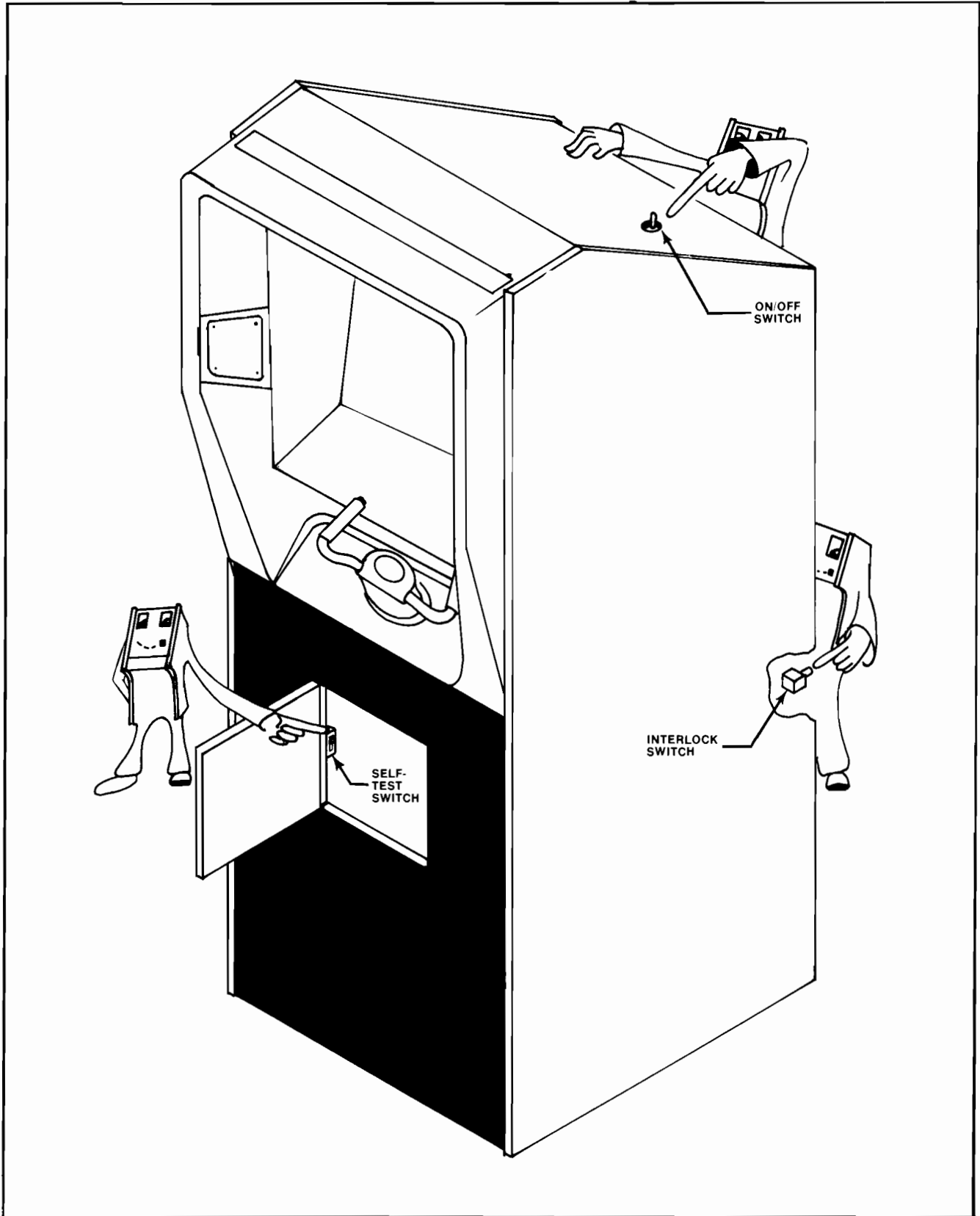


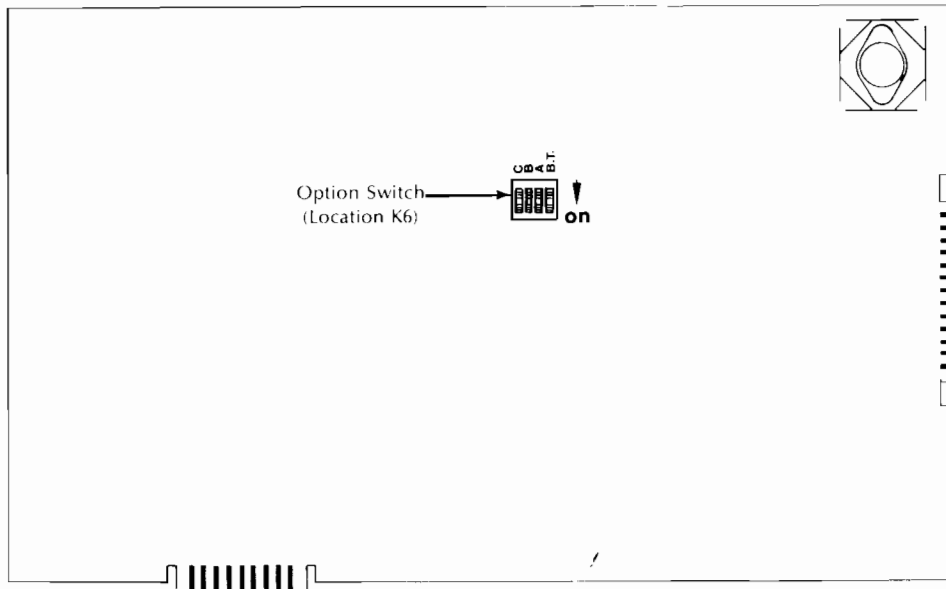
Figure 2 Location of Power On/Off and Interlock Switches

Table 1 Starship 1™ Self-Test Procedure

| Test | Instruction | Results if Test Passes | Results if Test Fails |
|------|---|--|---|
| 1 | <p>Unlock and open Coin Door. Set Self-Test slide switch (located inside and to the left of the Coin Door) to the <i>on</i> position.</p> <p>If test fails, record the BAD ROM number, shut off the game, call your distributor and tell him the ROM failure number.</p> <p><i>Note to Distributors:</i> BAD ROM 0 indicates a failure of PROM 1 (location C/D1) or PROM 2 (Location C/D2).</p> <p>BAD ROM 1 or BAD ROM 2 indicates failure of ROM B (location E3).</p> <p>BAD ROM 3 or BAD ROM 4 indicates failure of ROM A (location H3).</p> | <p>TV monitor displays almost anything that is normal for the attract or play mode. <i>Test tone is always present from both speakers during Self-Test 1.</i></p> | <p>TV monitor displays the words BAD ROM followed by a number.</p> |
| 2 | <p>Press START pushbutton.</p> <p>Press PROTON TORPEDOS pushbutton.</p> <p>Set THRUST CONTROL to SLOW.</p> <p>SET THRUST CONTROL to FAST.</p> | <p>Test tone volume increases.</p> <p>Test tone volume increases.</p> <p>Test tone frequency is lower than when control is in FAST position.</p> <p>Test tone frequency is higher than when control is in SLOW position.</p> | <p>Test tone remains the same.</p> <p>Test tone remains the same.</p> <p>Test tone remains the same.</p> <p>Test tone remains the same.</p> |
| 3 | <p>Turn control yoke to left and down, then turn to right.</p> <p>Pull control yoke up.</p> | <p>Test tone frequency increases as control yoke is turned from left to right.</p> <p>Test tone frequency increases as control yoke is moved from downward position to upward position.</p> | <p>Test tone remains the same.</p> <p>Test tone remains the same.</p> |
| 4 | <p>Set Self-Test slide switch to <i>off</i> position. Trip and hold in the tripped position each of the coin mechanism trip wires.</p> | <p>TV monitor displays the word COIN as long as one of the coin mechanisms trip wires is held in the tripped position.</p> | <p>No change in the TV monitor.</p> |

Table 2 Option Switch Settings

| Option | Option Switch Settings | | | |
|------------------|------------------------|-----|-----|-----|
| | C | B | A | BT |
| 2 Plays Per Coin | OFF | ON | ON | |
| 1 Play Per Coin | ON | OFF | ON | |
| 2 Coins Per Play | ON | ON | OFF | |
| No Bonus Time | | | | OFF |
| Bonus Time | | | | ON |
| | | | | |



NOTE

There are six potentiometers on the Starship 1 Game PCB. Ensure that you know which potentiometer you are adjusting. Adjusting the incorrect potentiometer may cost you money.

G. VOLUME CONTROL

If volume is incorrect for your location, remove the game PCB and adjust the volume to your desire. See Figure 3 for the location of volume control.

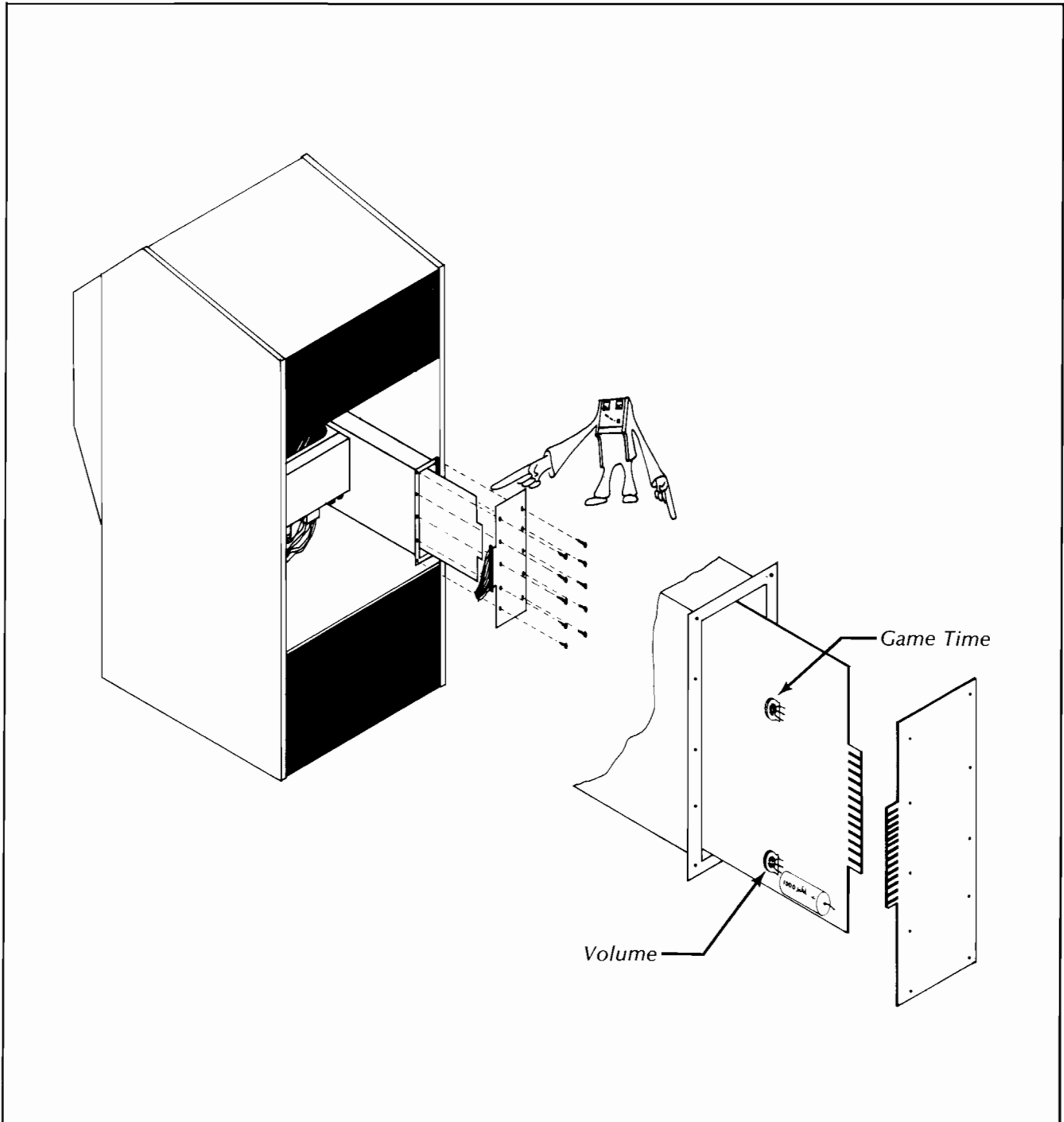


Figure 3 Location of Game Time and Volume Adjustments



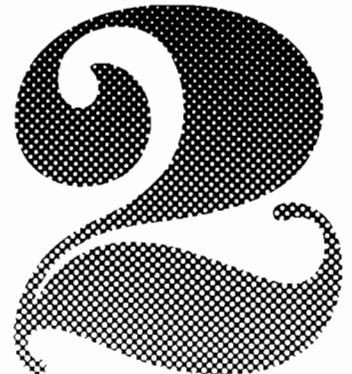
GAME PLAY

During game play, Starship 1 can be described as operating in any of three modes: attract, ready-to-play or play mode.

A. ATTRACT MODE

The attract mode begins with the application of power and ends when the proper amount of coins are accepted. During the mode, the T.V. monitor displays four one-line messages. The first line indicates the last player's score and number of crashes. The second line appraises the previous game performance (for example, YOU HAVE SAVED THE FEDERATION or YOU HAVE LOST EVERYTHING). The third and fourth lines are an instruction for the player to deposit a coin to be in command of Starship 1.

Throughout this mode, all controls are inactive.



B. READY-TO-PLAY MODE

This mode begins when the proper number of coins are accepted and ends when the START button is pressed.

During this mode, the TV monitor displays the following message:

YOU ARE IN COMMAND
PRESS START FOR NEXT MISSION

Throughout this mode, all player controls are inactive.

C. PLAY MODE

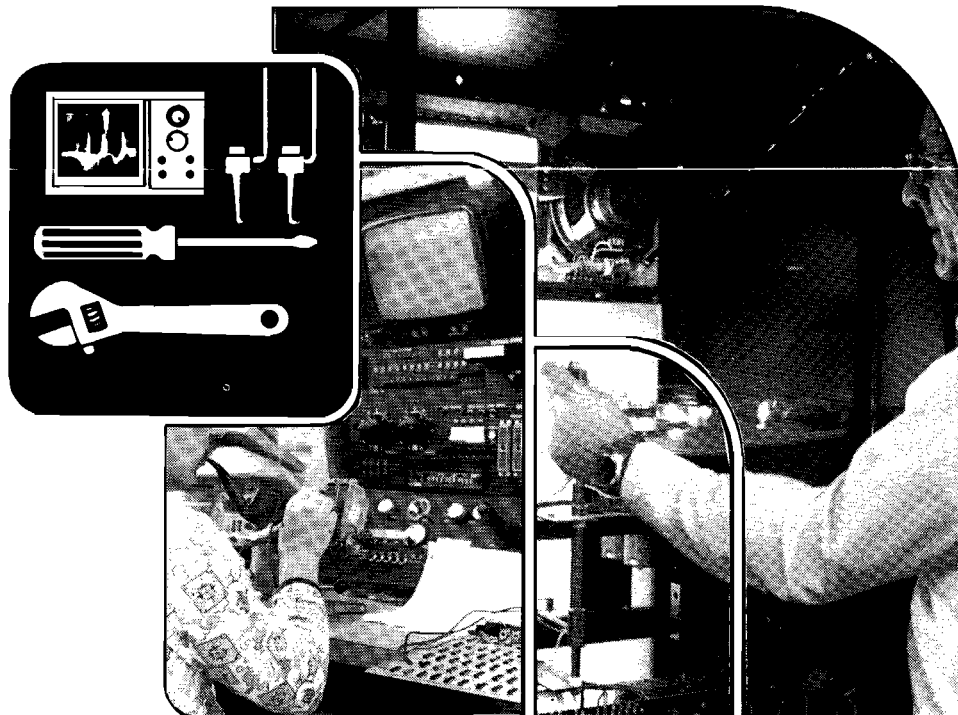
This mode begins with pressing the START pushbutton and ends when the game time runs out. Throughout this mode, all player controls are active.

The THRUST CONTROL sets the speed at which the displayed space objects move towards the player.

This can be changed from SLOW to FAST or from FAST to SLOW anytime during the game mode.

The player has two ways of destroying alien spacecraft to earn game score points. One way is to line up an alien spacecraft in the laser sights (X mark on TV monitor screen) and then press one of the laser activator pushbuttons located on the end of each handle of the control yoke. The other way of destroying alien spacecraft is to press the PROTON TORPEDOS pushbutton. This results in destroying all alien spacecraft that are displayed on the TV monitor. This second method is obviously easier, but a player is limited to five proton torpedos per game.

The control yoke operates just like in an airplane. To operate the control, the player must imagine being in Starship 1 and flying toward the targets. To go up, the player must pull down on the control yoke. To go left, the player must turn the control yoke to the left.



MAINTENANCE AND ADJUSTMENTS

Due to its solid-state electronic circuitry, this Atari unit should require very little maintenance and only occasional adjustment. Information given in this chapter and elsewhere in the manual is intended to cover most servicing situations that may be encountered at the game site. The procedures given are in sufficient detail to be understood by a person with moderate technical ability.

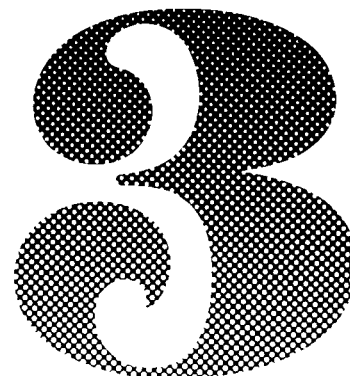
NOTE

If reading through the manual does not lead to solving the specific maintenance problem, you can reach Atari's Customer Service Department by telephone (open Monday through Friday, 7:30 am to 4:30 pm Pacific Time):

*from outside California (800) 538-6892
(toll-free)*

from inside California (408) 984-1900

*For those interested in gaining more information on video game technology, especially the electronics, we recommend reading the **Video Game Operator's Handbook**, manual no. TM-043. This book is available from Atari, Inc., attn. Customer Service Dept., 2175 Martin Avenue, Santa Clara, CA 95050 for \$5.00 each, or from your distributor.*



A. CLEANING

The exteriors of game cabinets and plex panels may be cleaned with any non-abrasive household cleaner. If desired, special coin machine cleaners that leave no residue can be obtained from distributors. Do *not* dry-wipe the plex panels because any dust on the surface can scratch the surface and results in fogging the plastic.

B. COIN MECHANISM

Components On Coin Door

Figure 4 shows the back side of the coin door assembly where the game's two coin mechanisms are mounted. Included is the lock-out coil assembly; the lock-out wires are connected to this assembly but are hidden behind the coin mechs. During the attract mode the microcomputer energizes the lock-out coil, causing the lock-out wires to retract far enough to allow genuine coins to reach the coin box. But during the ready-to-play mode when the LED is lighted and during the play mode (and also when AC power to the game has been turned off)

the lock-out coil is de-energized, causing the lock-out wires to move out far enough to divert coins over to the return chute.

Directly below each coin mechanism is a secondary coin chute and a coin switch with a trip wire extending out to the front edge of the chute. When the trip wire is positioned correctly, a coin passing down the secondary chute and into the coin box will momentarily push the trip wire down and cause the switch contacts to close.

Also shown in the photograph is a slam switch assembly. It has been included to defeat any players who might try to obtain free game plays by violently pounding on the coin door to momentarily close the contacts on a coin switch. The slam switch contacts connect to the microcomputer system, which will ignore coin switch signals whenever the slam switch contacts are closed.

Access To Coin Mechanisms

To remove jammed coins, and for maintenance cleaning, each magnet gate assembly can be hinged open without removing it from the door, as shown in Figure 5. Or, if necessary, each coin mechanism can be entirely removed from the door merely by pushing

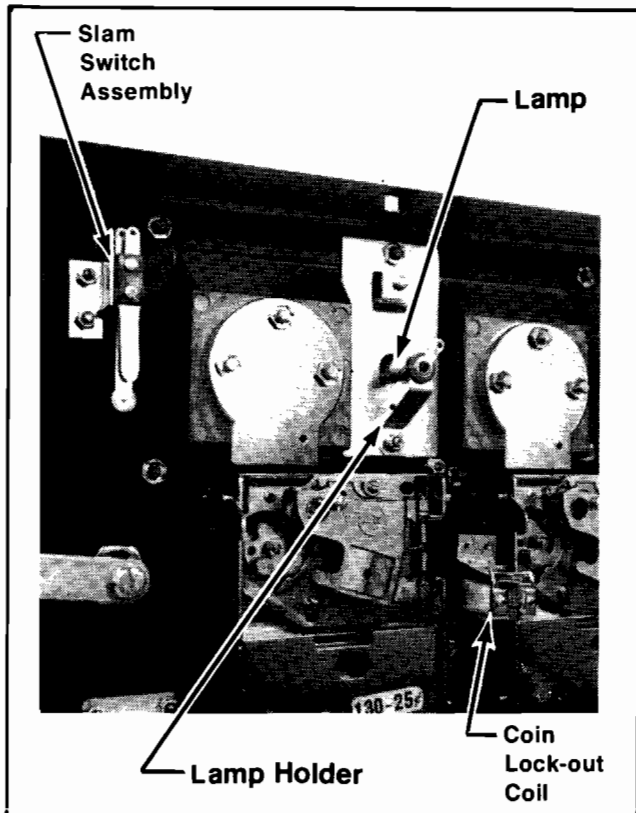


Figure 4 Coin Door Assembly

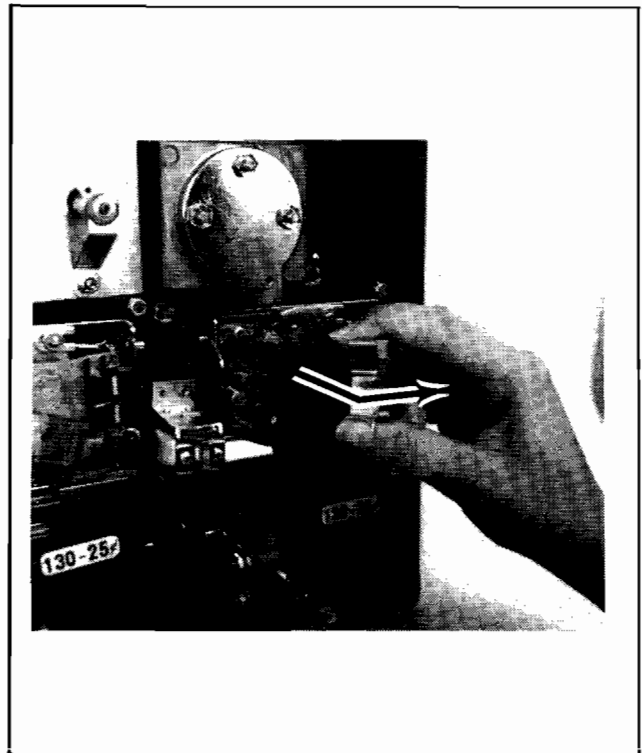


Figure 5 Hinging Open the Magnet Gate Assembly

down on a release lever and simultaneously tilting the mechanism back, then lifting it up and out. This is shown in Figure 6.

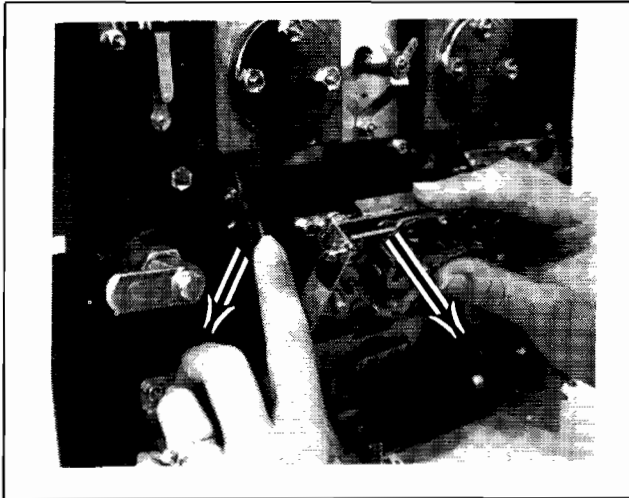


Figure 6 Removal of Coin Mechanism

Cleaning of Coin Paths

CAUTION

The use of an abrasive (such as steel wool or a wire brush) or a lubrication on a coin mechanism will result in a rapid build-up of residue.

By talking to many operators, we have found that the best method of cleaning a coin mechanism is by using hot or boiling water and a mild detergent. A toothbrush may be used for those stubborn buildups of residue. After cleaning, flush thoroughly with hot or boiling water, then blow out all water with compressed air.

Figure 7 shows the surfaces to clean inside the coin mechanism. These include the inside surface of the mainplate, and the corresponding surface of the gate assembly. There may also be metal particles clinging to the magnet itself. To remove these you can guide the point of a screwdriver or similar tool along the edge of the magnet.

If coins are not traveling as far as the coin mechanisms, you will need to clean the channel beneath the coin slot. To gain access to this channel, use a $\frac{3}{8}$ -inch wrench and remove all three nuts that secure the cover plate (refer to Figure 8). Removing the plate will provide access to the entire channel.



(Clean both surfaces where coin enters the mechanism, as well as the magnet)

Figure 7 Surfaces to Clean Inside the Coin Mechanism

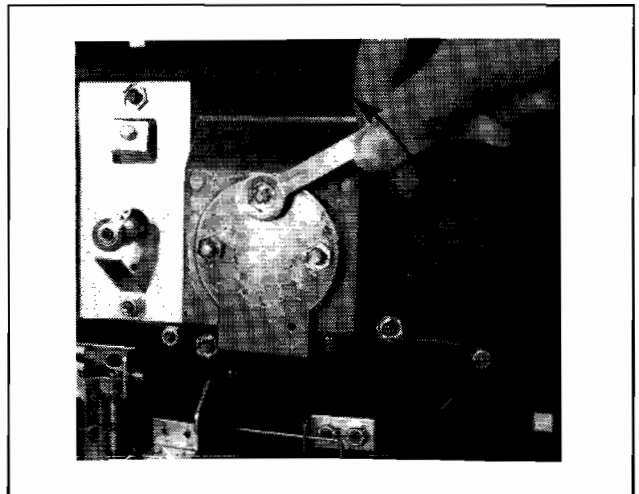


Figure 8 Removal of Plate Covering Rear of coin slot

Also clean the inside surfaces of the secondary coin chutes, but when doing this be careful not to damage or bend the trip wires on the coin switches.

Lubrication. Do *not* apply lubrication to the coin mechanisms. The only points that may need lubrication (and only rarely) are the shafts of the scavenger buttons (coin rejection buttons) where they pass through the coin door. Apply only one drop of light machine oil, and be positive that no oil drops down onto a coin mechanism. Figure 9 shows this lubrication point.

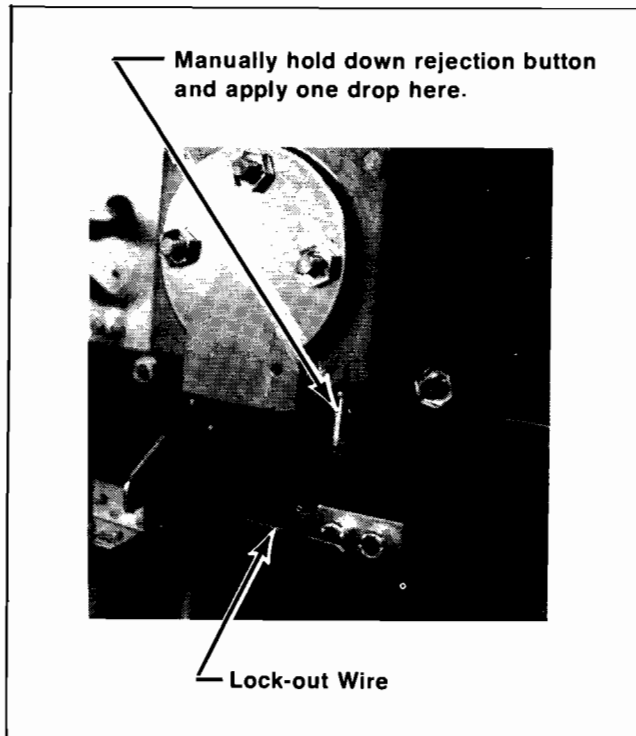


Figure 9 Close-up View of Lubrication Point

Adjustment of Coin Switch Trip Wire

In order for a coin switch to operate reliably when a coin travels down the secondary coin chute, the rest position of its trip wire should be as shown in Figure 10. Use extreme care when handling or touching these wires.

Mechanical Adjustments on Coin Mechanism

Coin mechanisms are adjusted prior to shipment from the factory and normally will retain these adjustments for many months. If, due to wear or other causes, it becomes necessary to make new adjustments, remove the coin mechanism from the coin door. Then take it to a clean, well lighted area where it can be placed in a vertical position on a level surface (such as a bench top). Besides a screwdriver, you will need a set of several coins, including both new and old, worn ones. Figure 11 shows an exploded view of the mechanism and gives procedures for adjusting the kicker, separator, and the magnet gate. These adjustments should only be done by someone who has experience in servicing coin mechanisms and who understands their operation.

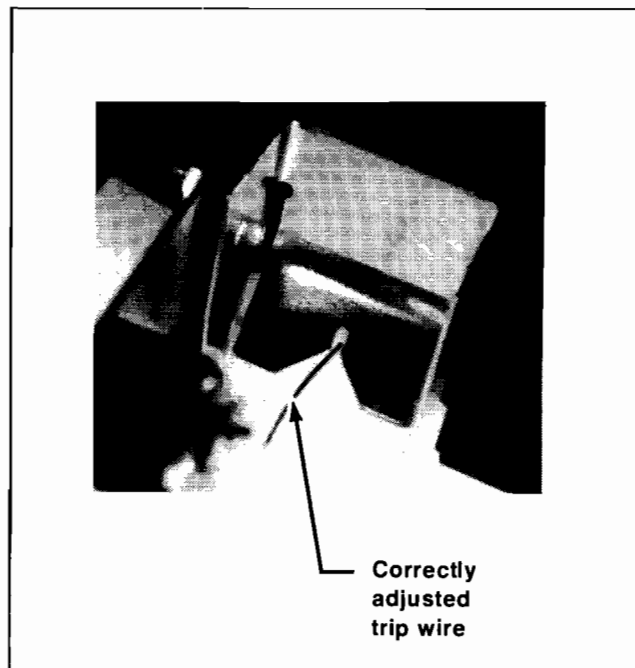


Figure 10 Detail View of Coin Switch and Trip Wire

General Troubleshooting Hints

The first action is to look for jammed coins. After these have been removed, examine the coin path for presence of foreign material or loose objects (such as chewing gum, small metallic objects, paper wads, etc.). In cases where game usage is heavy, it may be necessary to clean the entire coin path periodically, in order to prevent build-up of contaminants that can hinder the movement of coins through the mechanisms. Also confirm that the trip wire on each coin switch is intact, and is properly adjusted. If troubles still persist, check the conditions and positions of the lock-out wires, and the mechanical adjustments on the coin mechanisms, before suspecting the electronics. If a coin mechanism rejects genuine coins, try to readjust it. If this is not successful, then replace it with a working mechanism.

C. FUSE REPLACEMENT

Starship 1 contains four fuses, two on the power supply assembly and two on the TV monitor assembly. These fuses are all easily accessible through the rear access door. Replace fuses only with the same type of fuse as follows:

TV Monitor Fuses 3AG 1-amp slow-blow, 250 volts

Power Supply Fuses 3AG 2-amp slow-blow, 250 volts

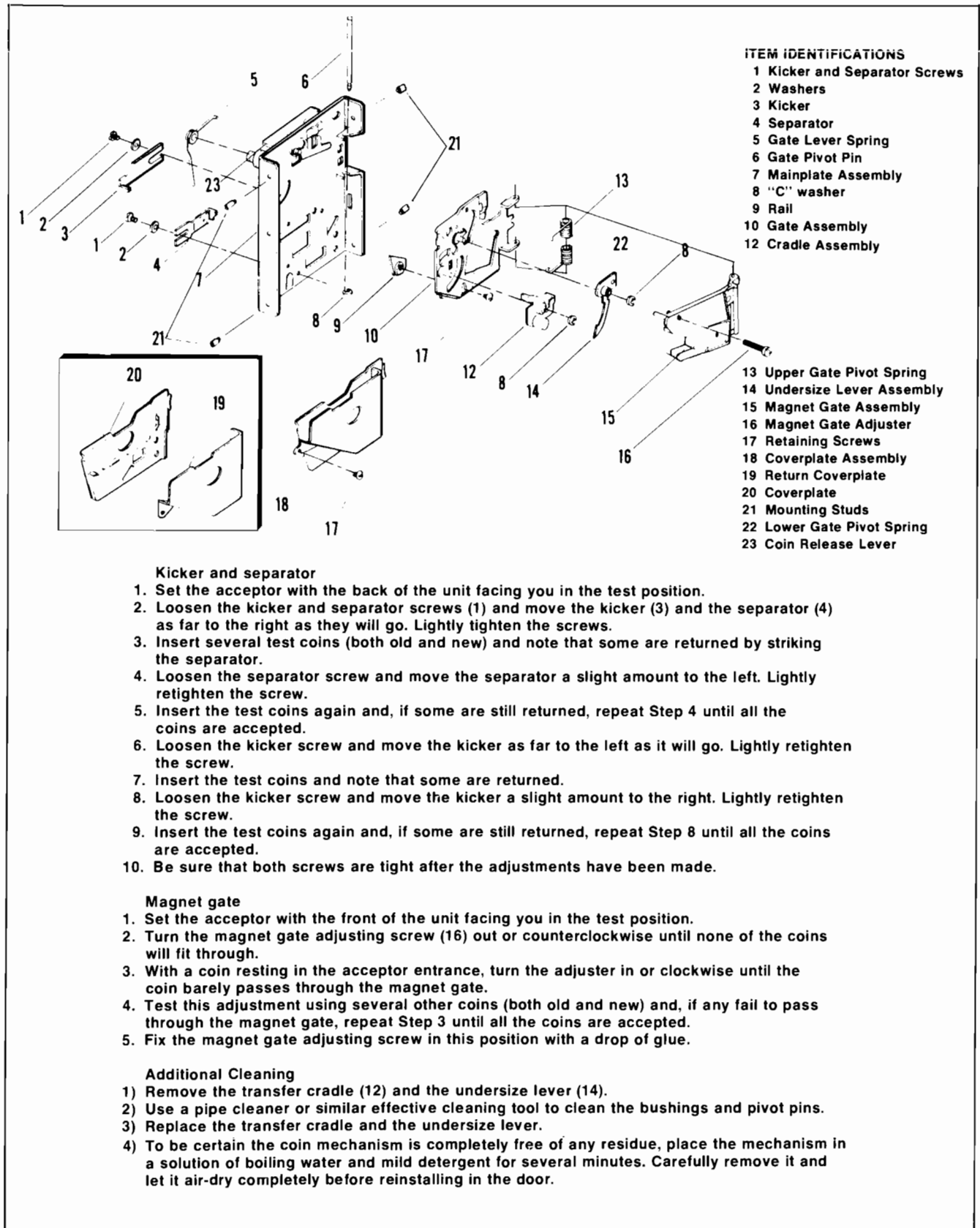
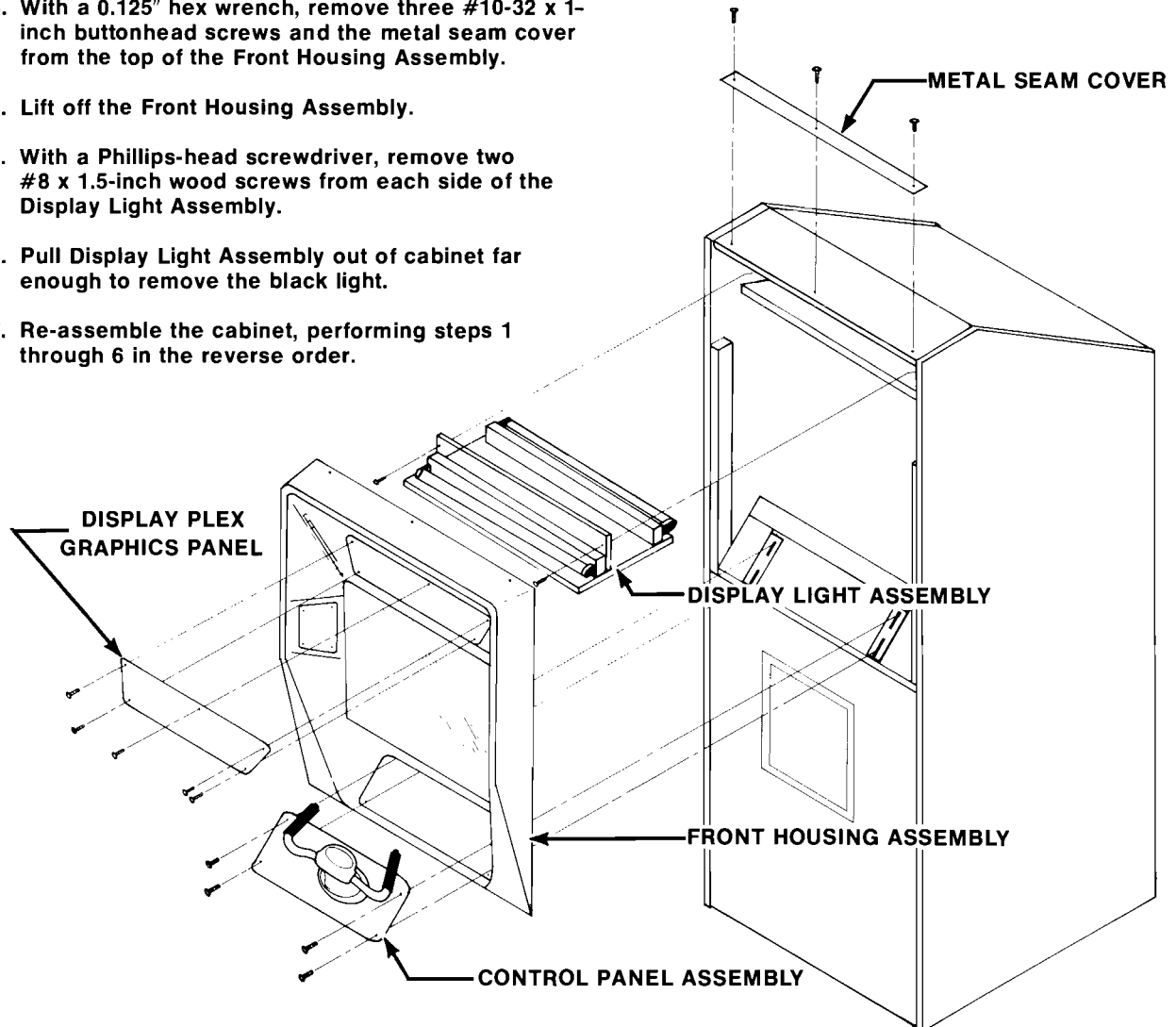


Figure 11 Adjustments on Coin Mechanism

REPLACING THE BLACK LIGHT TUBE

Remove the Front Housing Assembly as follows:

1. With a 7/16-inch wrench, reach through the coin door and remove four ¼-20 hex nuts, one at each corner of the Control Panel Assembly.
2. Disconnect the harness connector from the Control Panel Assembly, then remove the Control Panel Assembly.
3. With a 0.125" hex wrench, remove three #10-32 x 1-inch buttonhead screws and the metal seam cover from the top of the Front Housing Assembly.
4. Lift off the Front Housing Assembly.
5. With a Phillips-head screwdriver, remove two #8 x 1.5-inch wood screws from each side of the Display Light Assembly.
6. Pull Display Light Assembly out of cabinet far enough to remove the black light.
7. Re-assemble the cabinet, performing steps 1 through 6 in the reverse order.



REPLACING THE FLUORESCENT TUBE

1. Remove the Display Plex Graphics Panel by using a 0.125-inch hex wrench to unscrew five #10-32 x 1-inch socket head screws.
2. Remove the fluorescent tube.

Figure 12 Removing the Cabinet Light Assembly

D. LAMP REPLACEMENT

Starship 1 contains five lamps: two cabinet lights, two PROTON TORPEDOS pushbutton lights, and a coin-door light. Cabinet lighting is done with an eighteen-inch fluorescent tube and on the back bezel with an eighteen-inch black light tube. Both the fluorescent and black light tubes are mounted in one lamp assembly. To remove the lamp assembly, follow the instructions in Figure 12.

There are two lamps (Chicago Miniature type #328) in the PROTON TORPEDOS pushbutton. These may be changed by reaching through the coin door. However, if you have had a bad day, you might consider removing the Control Panel Assembly first. This will eliminate the aggravation of working with these tiny bulbs in a tight space. Figure 13 shows how to replace these lamps.

E. REMOVING THE CONTROL PANEL

Removing the Control Panel Assembly can easily be accomplished through the coin door. Reach in with a 7/16-inch wrench and remove the four 1/4 x 20-inch hex nuts, split-lock washers and flat washers at each corner of the Control Panel Assembly. Remove the Control Panel Assembly.

F. CONTROL YOKE

The control yoke has two potentiometers. These potentiometers supply player steering information to the game PCB. With a good amount of use, these potentiometers may eventually become dirty and require cleaning. To clean, use a tuner cleaner. This is a spray cleaner that is available at most electronics supplies stores. When you buy tuner cleaner, make sure that you get the long nozzle extension tube that comes with the spray can.

For cleaning the potentiometers, remove the Control Panel Assembly (see Figure 12). Insert the spray nozzle extension tube into each potentiometer, spray, then work the control yoke to make the potentiometers rotate.

G. ADJUSTING THE CRASH CIRCLE

When Starship 1 crashes into another spacecraft or into a planet, an explosion occurs and a crash scene appears on the TV monitor. The crash scene is a circle of negative video. This circle is derived from a complex analog signal which is size-, shape- and position-adjustable.

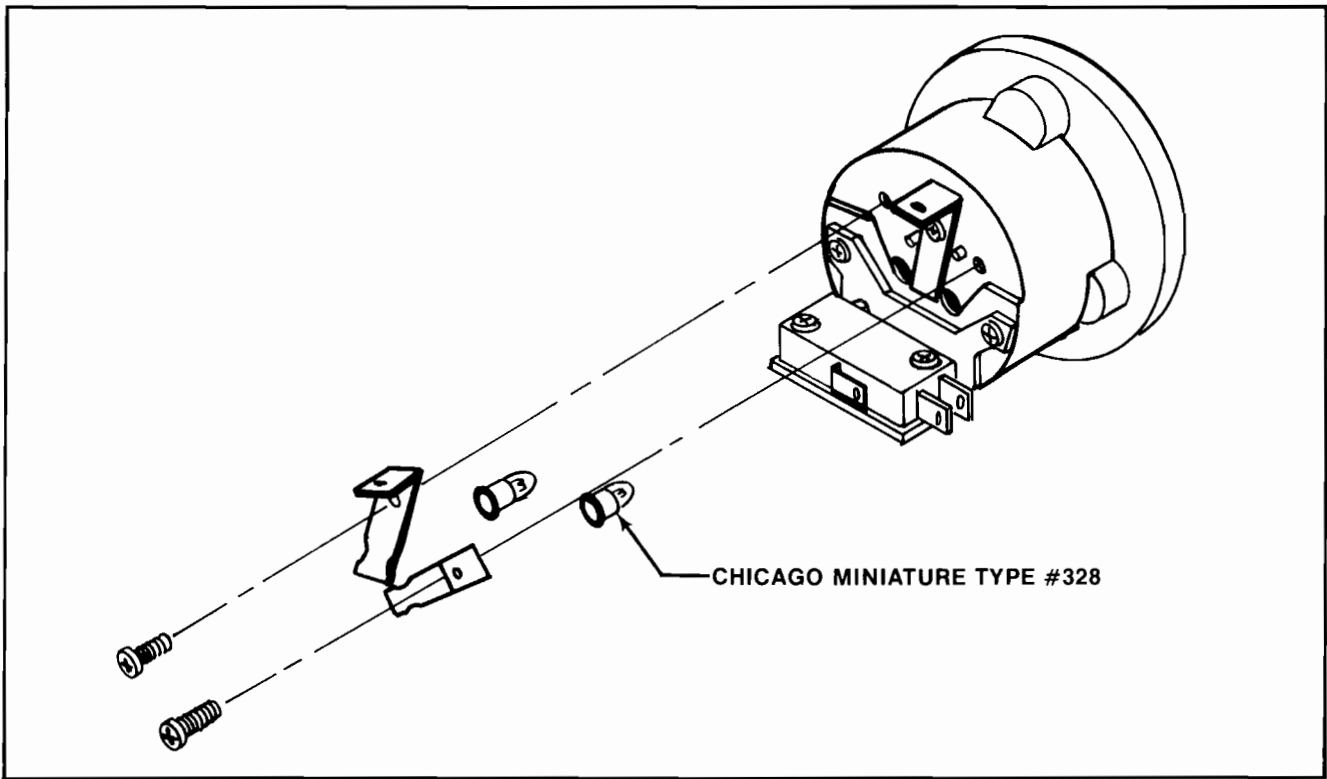


Figure 13 Removing the PROTON TORPEDOS Pushbutton Lamps

To adjust the circle, set all four toggles of DIP switch S2 at location B8 to the *on* position. This will result in the display of all or part of a circle. Refer to Figure 14 for the location of the Circle Generator potentiometers V RAMP AMPLITUDE, H POS, V POS, and DC OFFSET. Adjust potentiometers H POS (horizontal position) and V POS (vertical position) to center the circle. Adjust potentiometer V RAMP AMPLITUDE for a round circle. Then adjust potentiometer DC OFFSET for a circle with a diameter that is about 2/3 the horizontal width of the TV monitor.

After you have adjusted the circle, set all four toggles of SW2 at location B8 to the *off* position. This concludes the adjustment.

H. REMOVING THE TV MONITOR

The TV monitor in Starship 1 may easily be replaced. This is accomplished by opening the rear access door, unplugging the Molex connector from the monitor, removing four securing screws, and sliding the monitor out the back door. See Figure 15 for the location of the securing screws on the monitor.

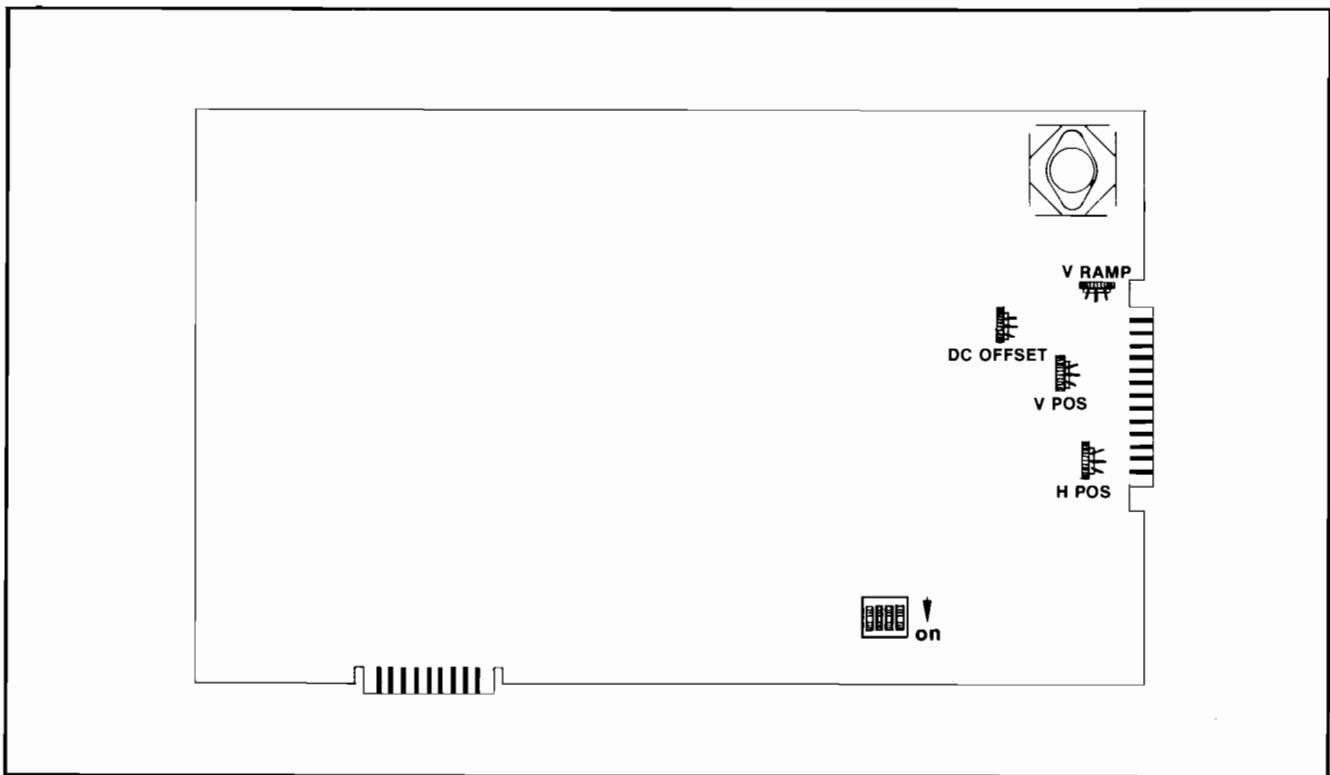


Figure 14 Locations of Crash Circle Adjustments

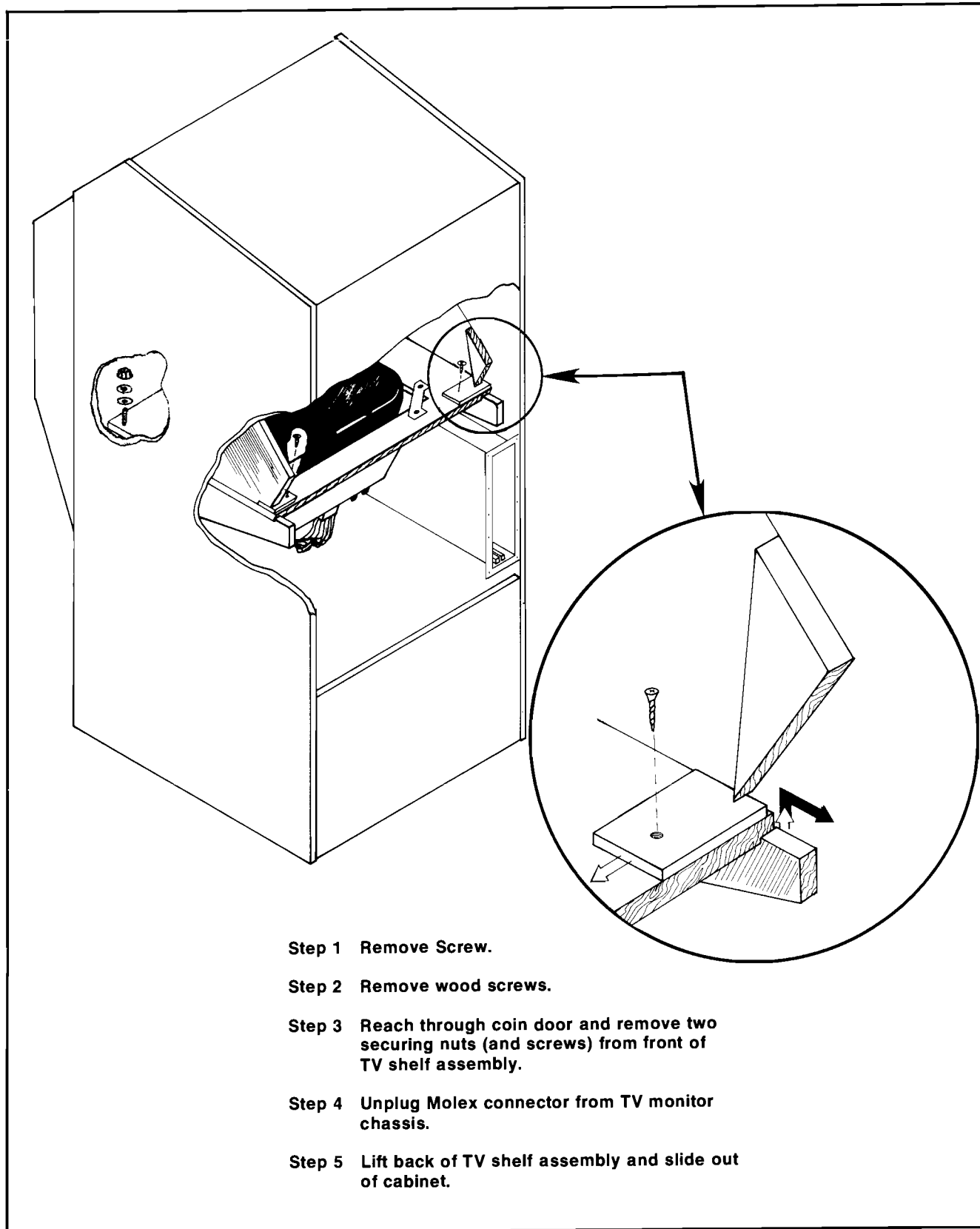
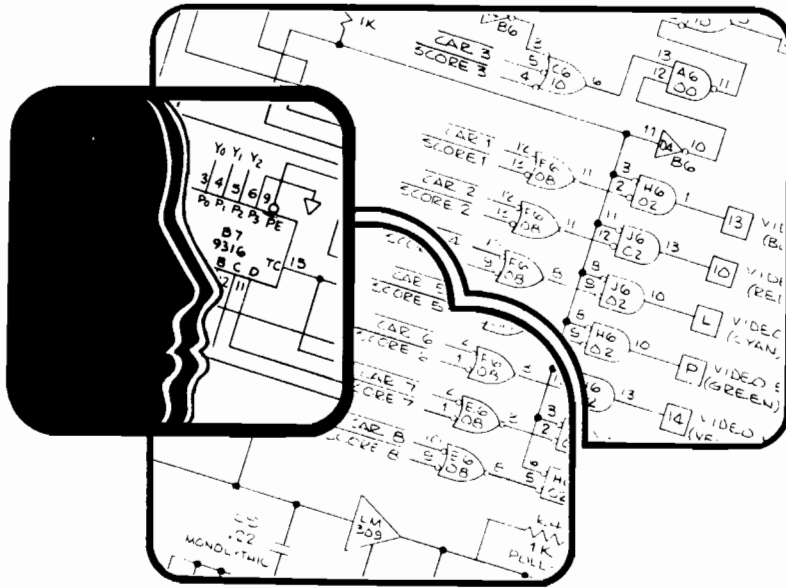


Figure 15 Removal of TV Monitor



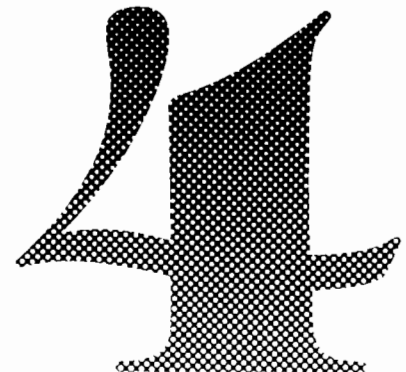
THEORY OF OPERATION

A. GENERAL INFORMATION

The block diagram of Figure 16 shows the major controls, circuits and outputs of the game. Figure 17 is a block diagram of the Starship 1 game PCB.

The game's television monitor is a self-contained transistorized unit. Because the composite video signal sent to the monitor differs in many respects from the signal derived from commercial TV broadcasts, the picture appearing on the screen is unlike that of a home TV set and the monitor does not produce any sound. See Figure 18 for a schematic diagram of the TV monitor.

The game's composite video signal is made to produce only four video levels instead of the more or less continuous shades of grey seen on a home TV screen. The background of the picture is black video level only, but game objects may use any of the four video levels.



On the game PCB schematic diagram, Figure 20, the symbol "P" (appearing at various inputs of integrated circuit devices) indicates a connection of +5 volts DC through a pullup resistor. For easy reference, the game PCB is divided into grid sections. Along the short side of the board these sections are identified by letters A through R (skipping letters G, I, O and Q because they may be easily confused with the numbers 6, 10, and 0 respectively). Along the long side of the board the numbers 1 through 12 are used. For example, sheet 1 of Figure 20 illustrates the type-MC1495 analog multiplier F11 at the lower left of the drawing. This device F11 will be found at coordinates F and 11 on the PCB.

Figure 19 is a harness schematic of the entire Starship 1 game. This figure illustrates how all electrical and electronic assemblies are electrically connected together.

B. POWER SUPPLIES (lower right corner of sheet 1, Figure 20)

The two AC voltage inputs to the board come from the 25 VAC and 16.5 VAC center-tapped secondary windings of the power transformer inside the

Power Supply Assembly. The +5 volt regulated supply provides V_{cc} for most of the board's integrated circuits. The +12 volt and -12 volt regulated supplies provide lower-current voltages for analog circuitry on the game PCB. The unregulated +18 volts connects to the audio driver stage for the game's audio output.

C. CRYSTAL OSCILLATOR AND TV SYNC COUNTDOWN CHAINS

A 12.096-MHz crystal oscillator (sheet 1 of Figure 20) generates the basic clock frequency that is divided down to produce the TV synchronization signals. The signals used to produce a TV monitor raster consisting of 262 horizontal lines at a horizontal frequency of 15,750 Hz (256H). Synchronized with line 240 is a vertical blanking pulse that occurs for the duration of 22 more horizontal scans, resulting in the total number of 262 lines per picture frame.

Besides being used for the TV raster, the TV timing signals are also used in the motion circuits, in the alphanumeric display circuit, in the phasor generator, in the microcomputer clock and in various other places on the board.

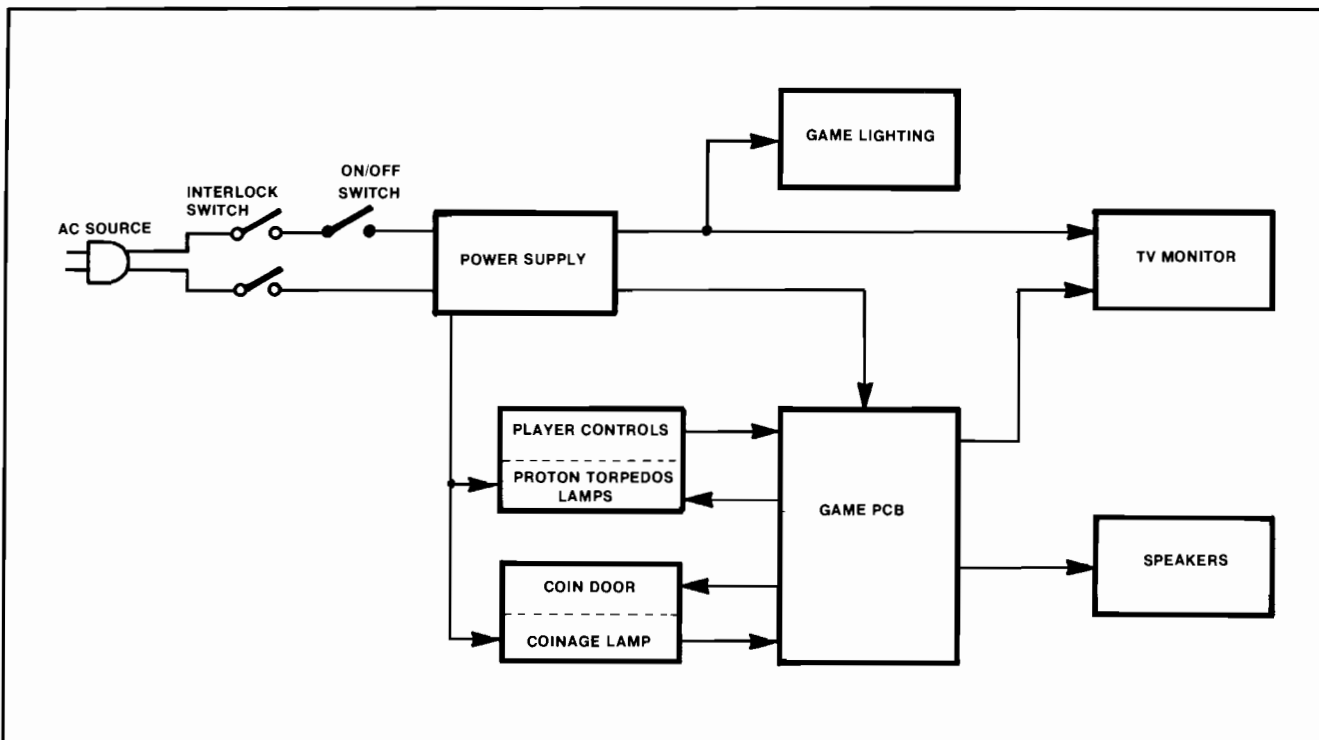


Figure 16 Starship 1 Game Block Diagram

D. MICROCOMPUTER

The microcomputer is the control center for the action of the circuitry that makes up the game. The microprocessing unit (MPU) send out addresses on its address bus and accepts data or outputs data onto the data bus. When the MPU is reset, by receiving first a low level and then a high level on its $\overline{\text{RESET}}$ line, it outputs addresses that cause the program memory to put data onto the data bus. The MPU reads this data and uses it to address the main program.

The program instructs the MPU what operations to execute and at which address to execute them. This controls the flow of data on the bus and "reads" inputs and "writes" to outputs. Data may flow into the MPU from program memory, "zero page" read/write random-access memory (RAM) and through the transceivers from the Data In bus (D1N7 is one line of this bus) which comes from the data input selectors.

Data may flow out of the MPU to zero-page RAMs or through the transceivers to the Buffered Data bus (BD7 is one line of this bus) to the following output interfaces: the message RAM, the digital output section, the digital-to-analog converter (DAC) section, and the position RAM in the motion circuitry.

The interrupt request ($\overline{\text{IRQ}}$) line of the MPU comes from the coin switches. If the line stays low rather than pulses low, it will cause the game to display "COIN" on the screen, indicating a broken line, bad switch or jammed coin mech.

E. INPUT/OUTPUT

Digital Output

The digital outputs of the MPU consist of decodes and data outputs. The decodes respond to various outputs of the address bus and enable the appropriate sections of the circuit to become active. For example, the state of the address bus can determine if the player up/down control is being sensed, or if alphanumeric messages are being output.

Digital outputs or control signals, such as PHASOR ON, are levels or pulses required to perform various tasks to output game video and audio.

Decodes also enable the transceivers to transfer data from the Data In bus to the Data bus, or to put data from the Data bus onto the Buffered Data bus, or to be put into an *off* state (so that data is input from program memory or zero-page RAM) or output to RAMs.

Address buffers are merely digital followers to provide enough power for the addresses to fully drive the TTL loads on the Buffered Address bus (BA9). The Buffered Address bus always exactly follows the Address Bus (AB9) from the MPU.

Analog output is produced by the Digital-to-Analog Converter (DAC) that produces a string of analog voltages corresponding to data on the DAC input. This string of values is demultiplexed to individual voltage level outputs by the analog demultiplexer. The signals are spaceship size (SSSIZE), noise amplitude, tone pitch, motor speed, circle horizontal (H POSITION), circle vertical (V POSITION), and circle size.

Inputs

Analog inputs consist of three voltage levels: up/down control, left/right steering, and game time. These go to the Analog-to-Digital (A/D) converter. A fourth input, a feedback line from the DAC, is not used. The Analog multiplexer (N11) selects which source to input to the comparator (L11). When the A/D RAMP voltage passes the level of the selected input, a flip-flop (F7) clocks in the change and causes another flip-flop group (J7) to clock in a digital value corresponding to the level. This value is then input through the digital input selectors.

Digital Inputs are chosen by the selectors (E6, F6, J6 and H6) according to the address the MPU outputs. Sources for the inputs are the D/A value, game digital logic inputs (such as RDATA4 or EXPLOSION), game option switches and game cabinet switches. The switches are start, coin 1, coin 2, test, slow, laser and the proton torpedo switch.

F. VIDEO SECTION

The video section consists of the circuits that generate the video and the output area which assembles the composite video signal. The microcomputer writes data to the motion RAMS (J4, K4, L4, M4 and N4) to specify the objects and directions of all motion objects.

G. STARFIELD CIRCUIT

The starfield generator is a two-shift-register noise generator (D-E5) to produce the fixed starfield and the "grain" seen in the planets.

H. SPACESHIP CIRCUIT (Patent Pending)

The spaceship circuit has a voltage-controlled oscillator (VCO, at E11); the VCO produces a clock to

run counters that address the ROMs containing the spaceship pictures. If the VCO runs fast, the counters count through the picture very fast and the resulting picture is small.

As a spaceship grows in size, the frequency from the VCO becomes lower and objects appear larger.

I. LASER CIRCUIT

The laser circuit is fired by PHASOR ON and produces the signal (M6, N6) that makes the laser appear in the video.

J. ALPHANUMERICS GENERATOR

Messages are stored in RAMs K7 and M7 and are output by sync functions which address the alphanumeric ROM, N7. This data is loaded into shift register P7 and shifted out into the video.

Addressing of the RAM is controlled by selectors K8, M8 and N8 which use sync functions to display the RAM, but use MPU addresses to write into the RAM.

K. CIRCLE GENERATOR

The circle generator begins with a current source to bias Q1, Q2 and Q3 to produce the following

ramps: A/D RAMP; H RAMP and VRAMP. A/D ramp is only used in the analog input section, not in the circle. The H and V ramps are each adjusted to cross zero, then are multiplied (multipliers F11 and J11). Then they are summed and fed to comparator L11 which decides whether the video is scanning within the circle.

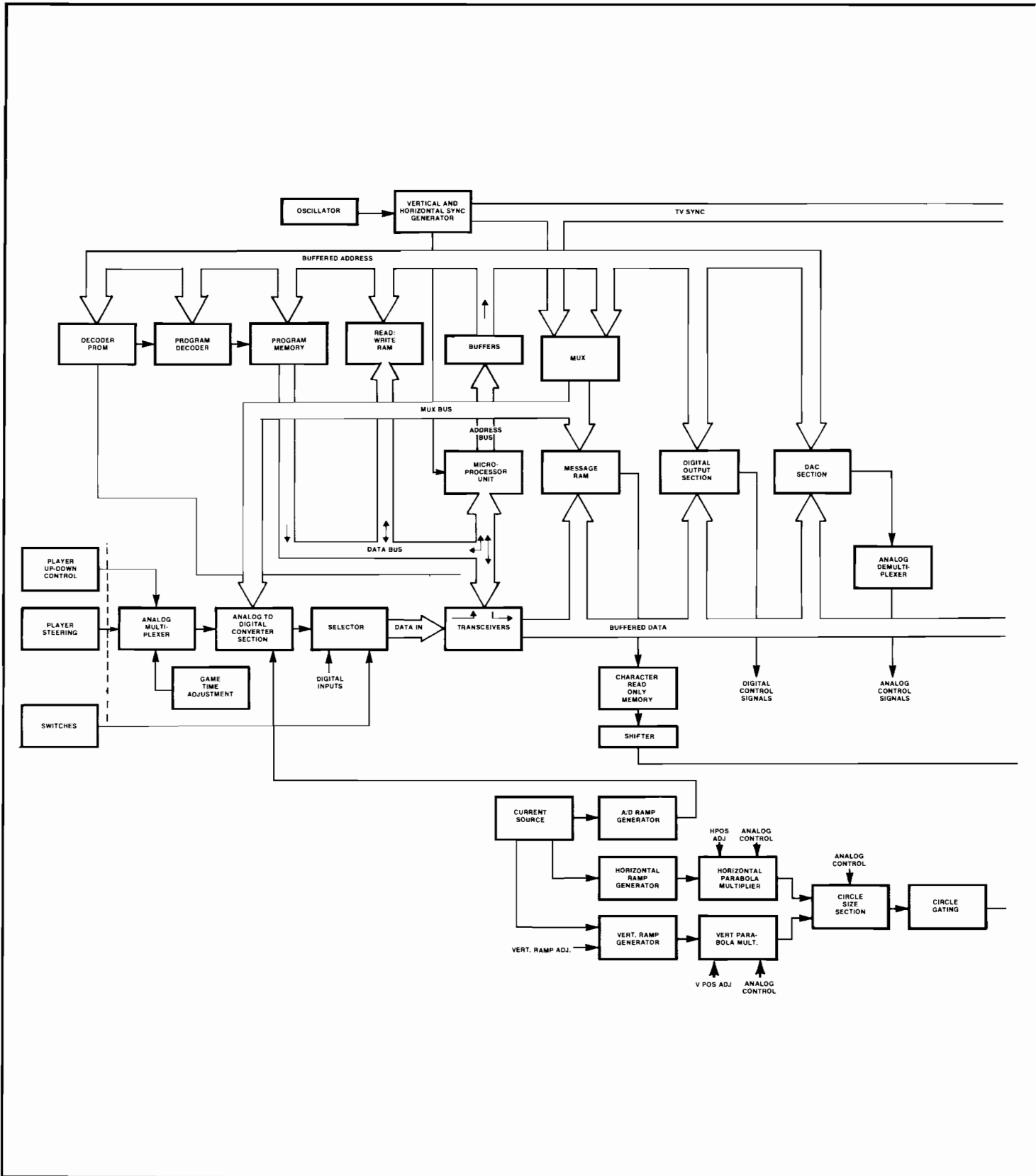
L. VIDEO PRIORITY CIRCUIT

All video comes to the ROM R10 which gives appropriate priority to all video. Outputs are through R11 to form the composite video containing sync blanking and all images.

M. AUDIO SECTION

The laser generator is a 556 located C10 used to produce the distinctive laser sound. Noise is generated by the shift registers B9 and C9 and is fed to the E10-D11 noise filter. This filter produces different sounds for the "whoosh" of a planet, the crash and the explosion. The motor sound is made by a 566 at A9, and its level is controlled by the signal MO/LVL.

Variable tones are produced by the 4136 (at E10) and the 555 at B10. Level control is provided by SL1 and SL2. All audio is summed at the volume control and goes to the TDA1004 audio amplifier and from there to the speakers.



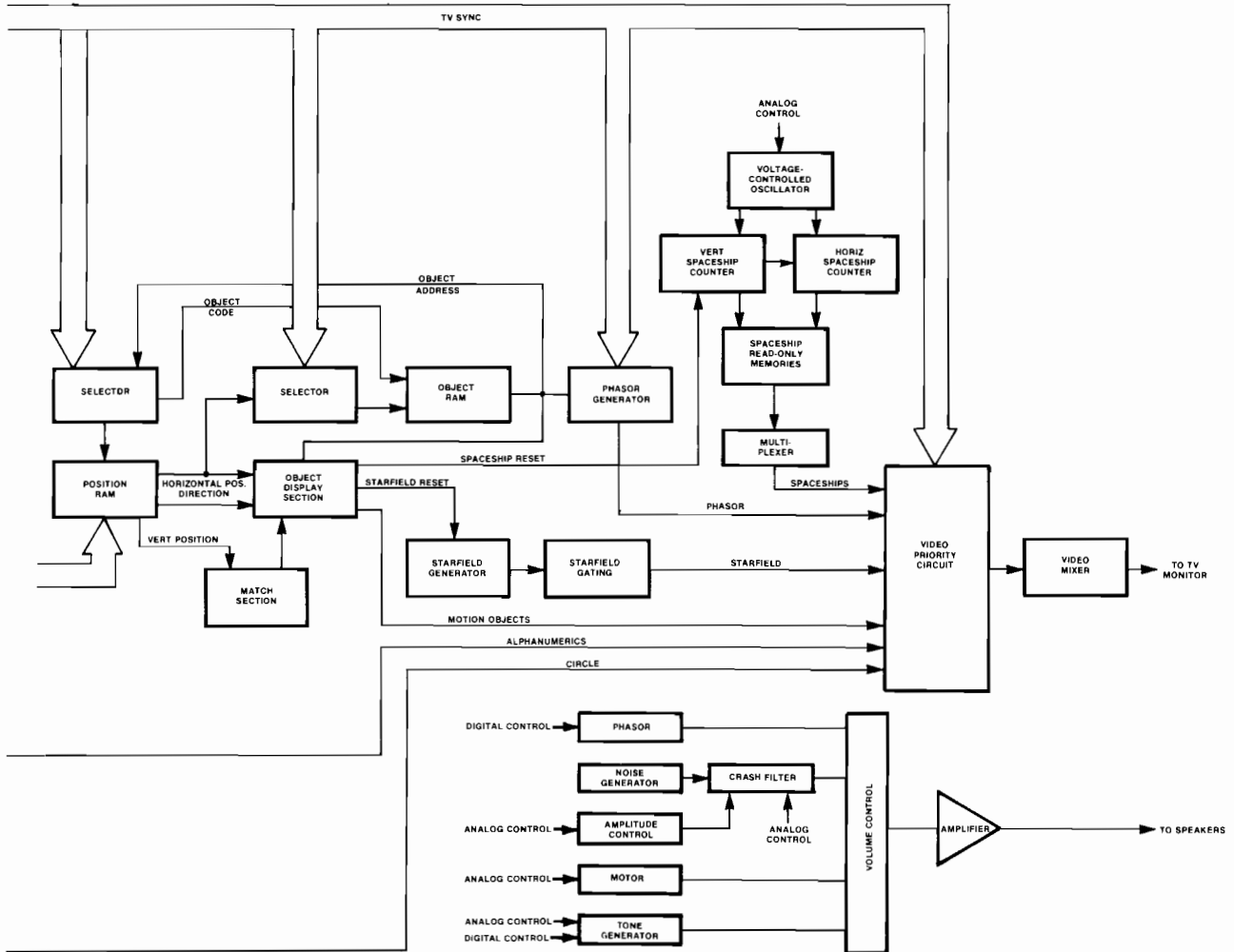


Figure 17 Starship 1 PCB Block Diagram

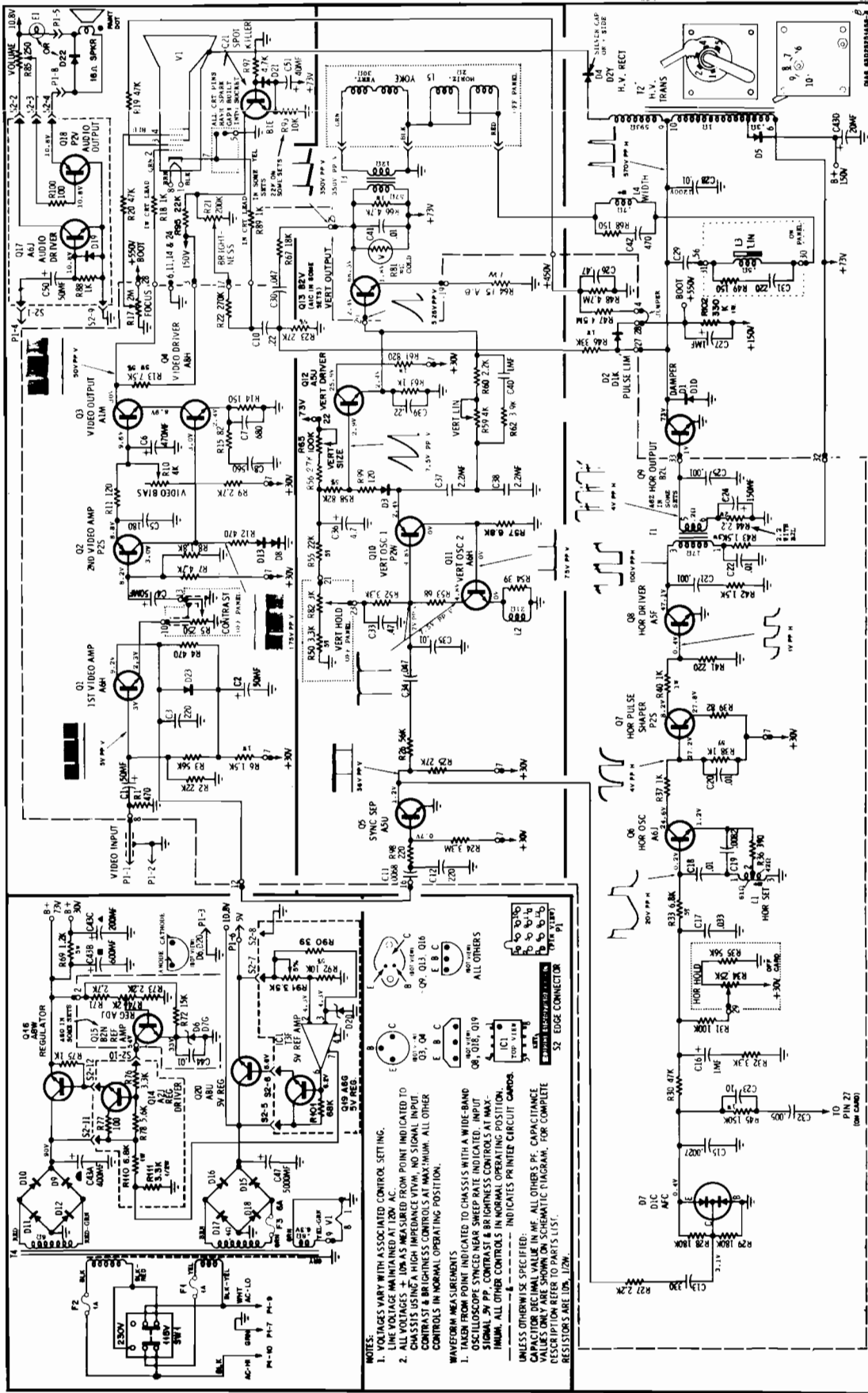
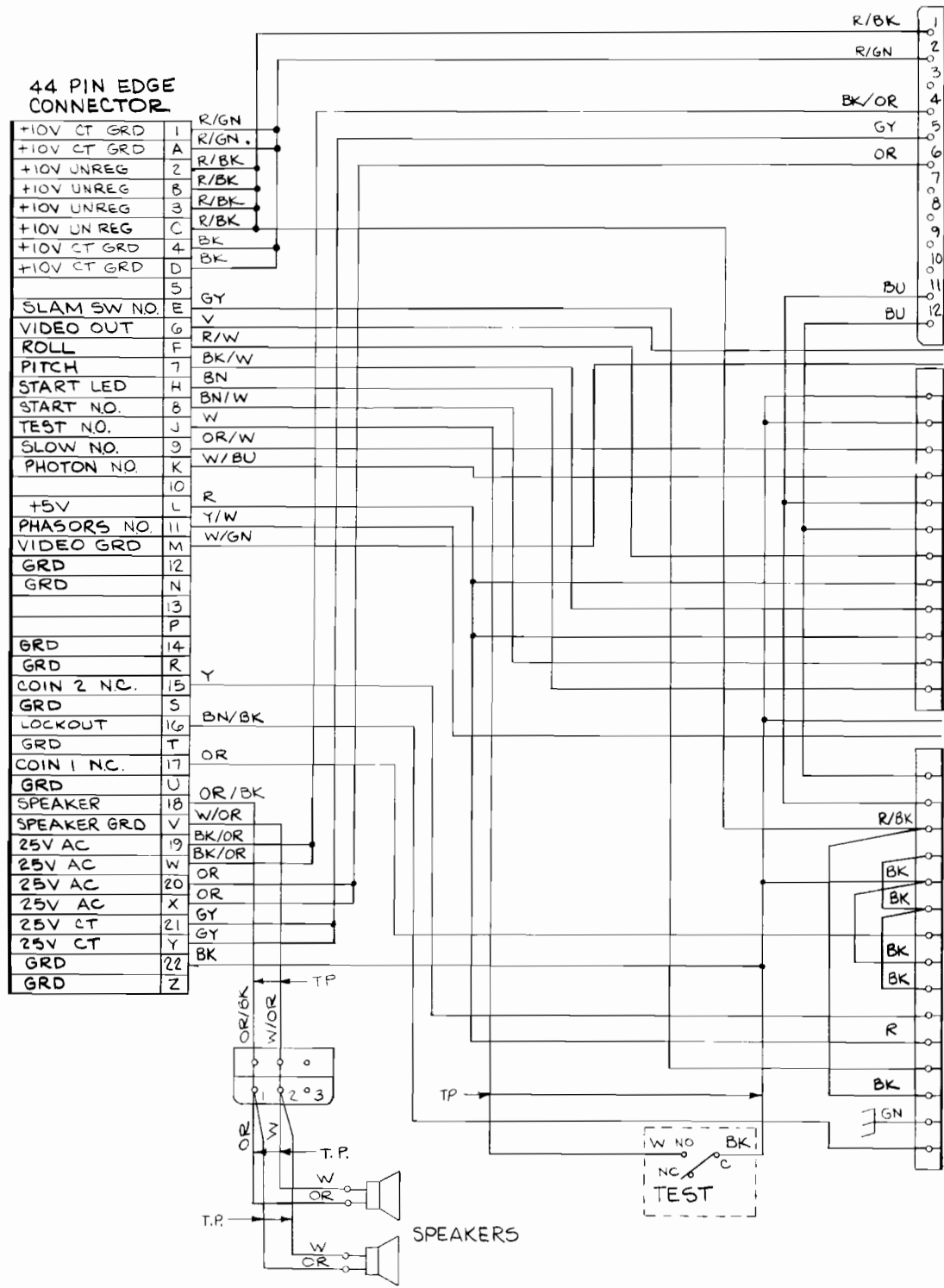
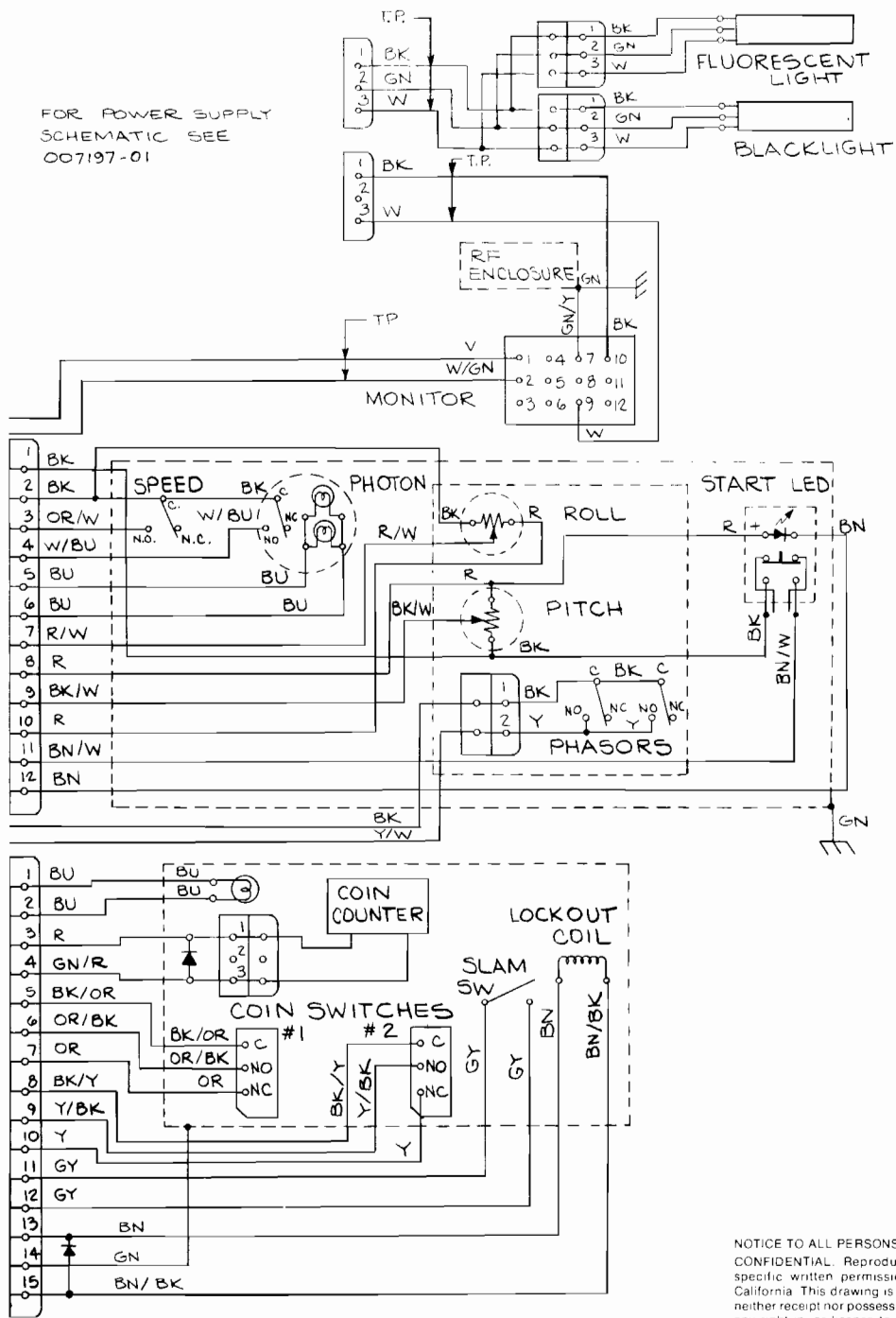


Figure 18 TV Monitor Schematic

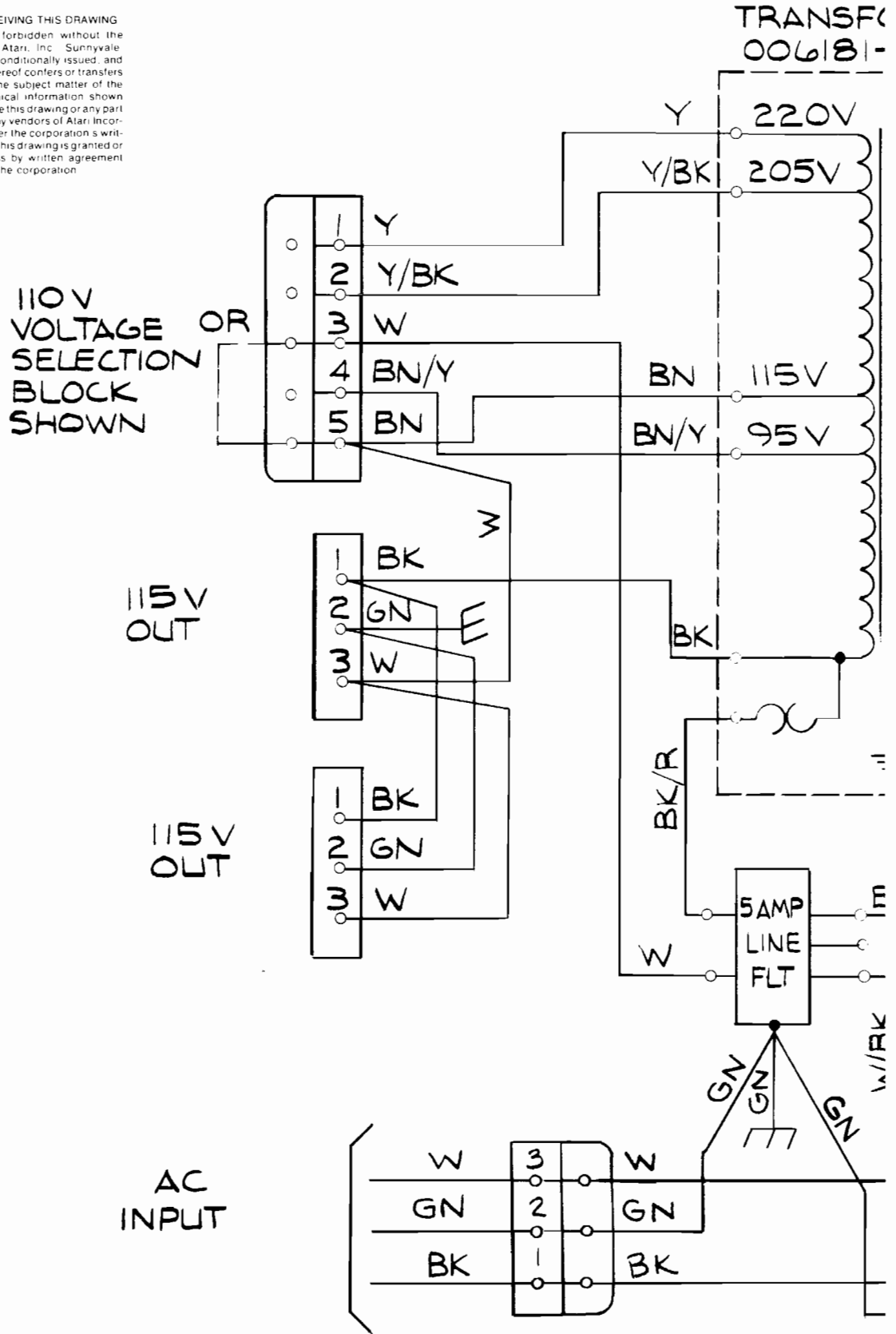


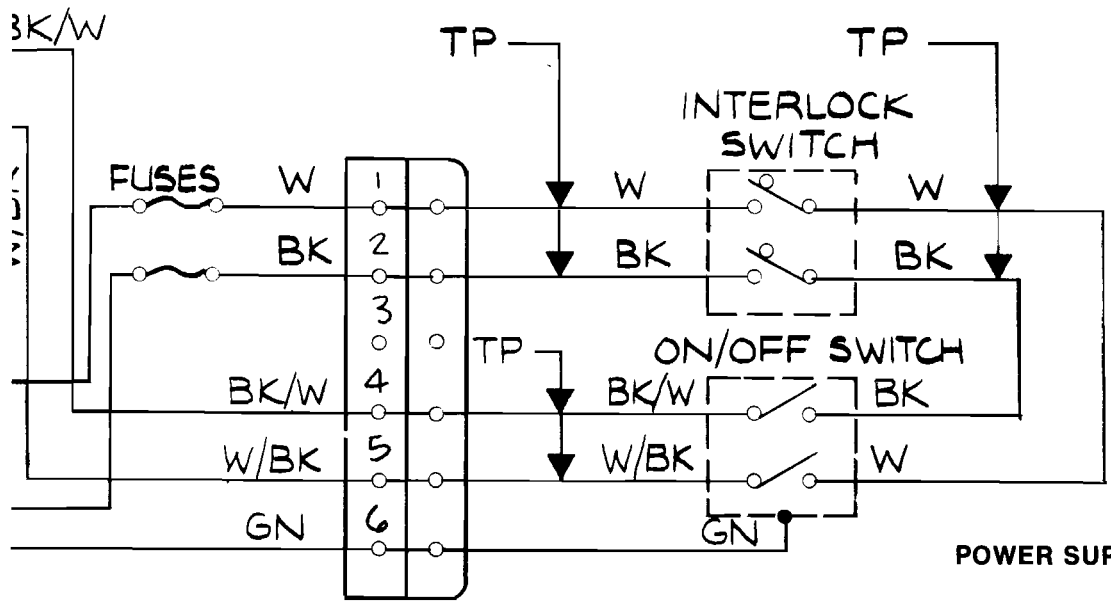
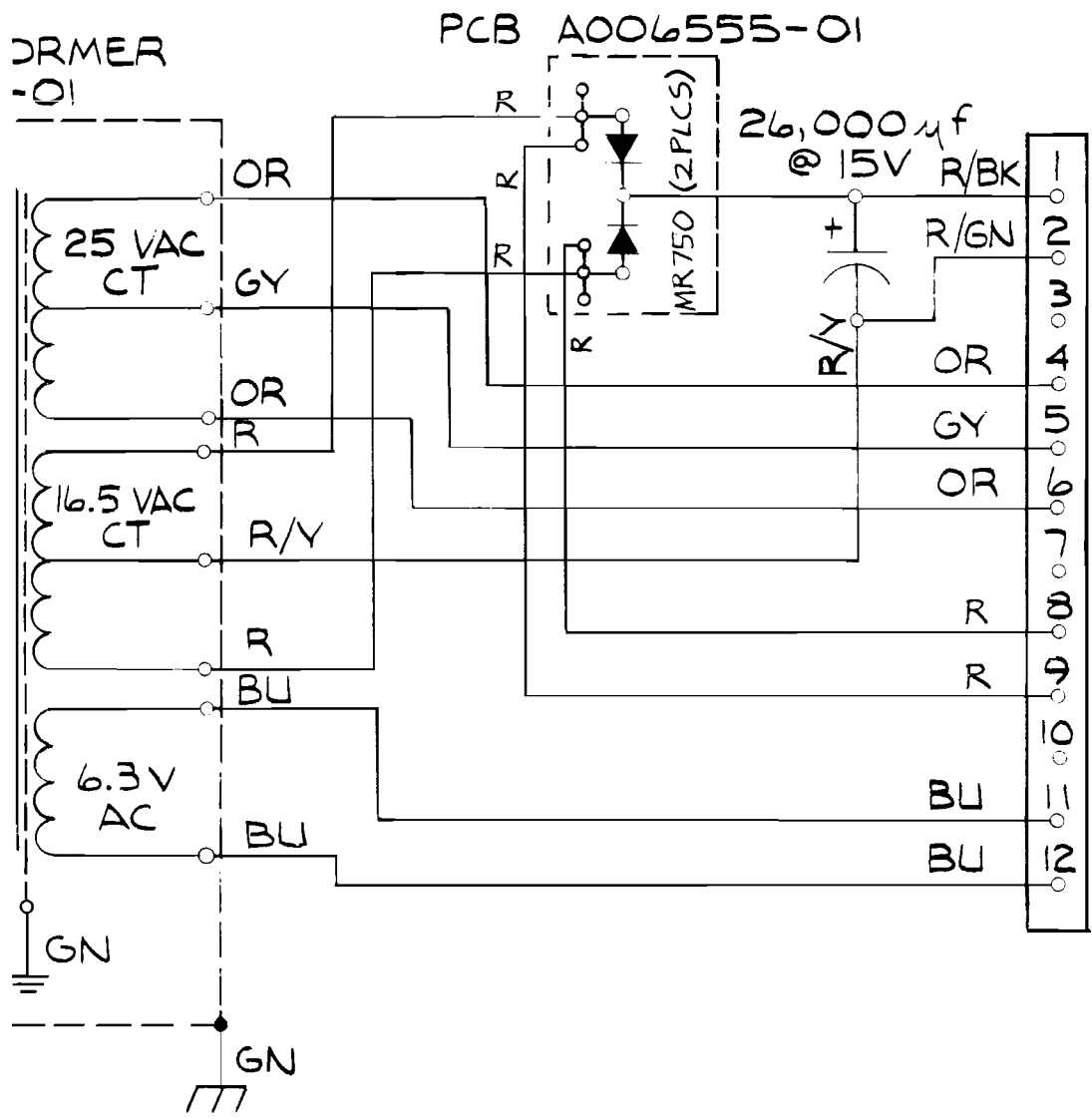


NOTICE TO ALL PERSONS RECEIVING THIS DRAWING
 CONFIDENTIAL. Reproduction forbidden without the
 specific written permission of Atari, Inc., Sunnyvale,
 California. This drawing is only conditionally issued,
 and neither receipt nor possession thereof confers or transfers
 any right in, or license to use, the subject matter of the
 drawing or any design or technical information shown
 thereon, nor any right to reproduce this drawing or any part
 thereof, except for manufacture by vendors of Atari Incor-
 porated and for manufacture under the corporation's writ-
 ten license; no right to reproduce this drawing is granted or
 the subject matter thereof unless by written agreement
 with or written permission from the corporation.

Figure 19 Starship 1 Game Harness Diagram
 (Sheet 1 of 2)

NOTICE TO ALL PERSONS RECEIVING THIS DRAWING
 CONFIDENTIAL - Reproduction forbidden without the
 specific written permission of Atari, Inc. Sunnyvale,
 California. This drawing is only conditionally issued, and
 neither receipt nor possession thereof confers or transfers
 any right in or license to use the subject matter of the
 drawing or any design or technical information shown
 thereon, nor any right to reproduce this drawing or any part
 thereof, except for manufacture by vendors of Atari Incorporated and for manufacture under the corporation's written
 license. No right to reproduce this drawing is granted or
 the subject matter thereof unless by written agreement
 with or written permission from the corporation.

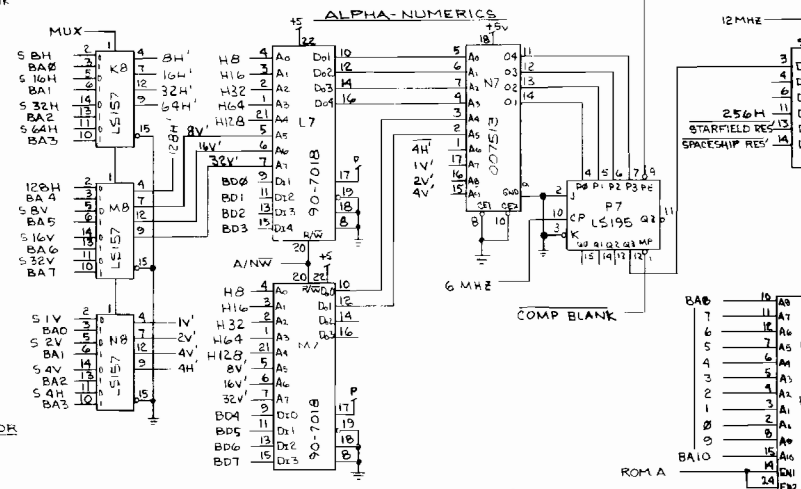
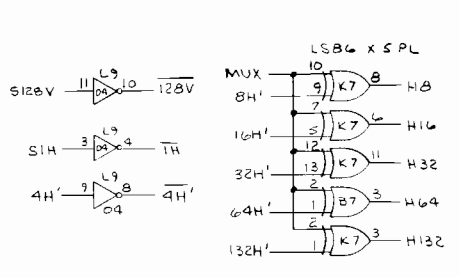
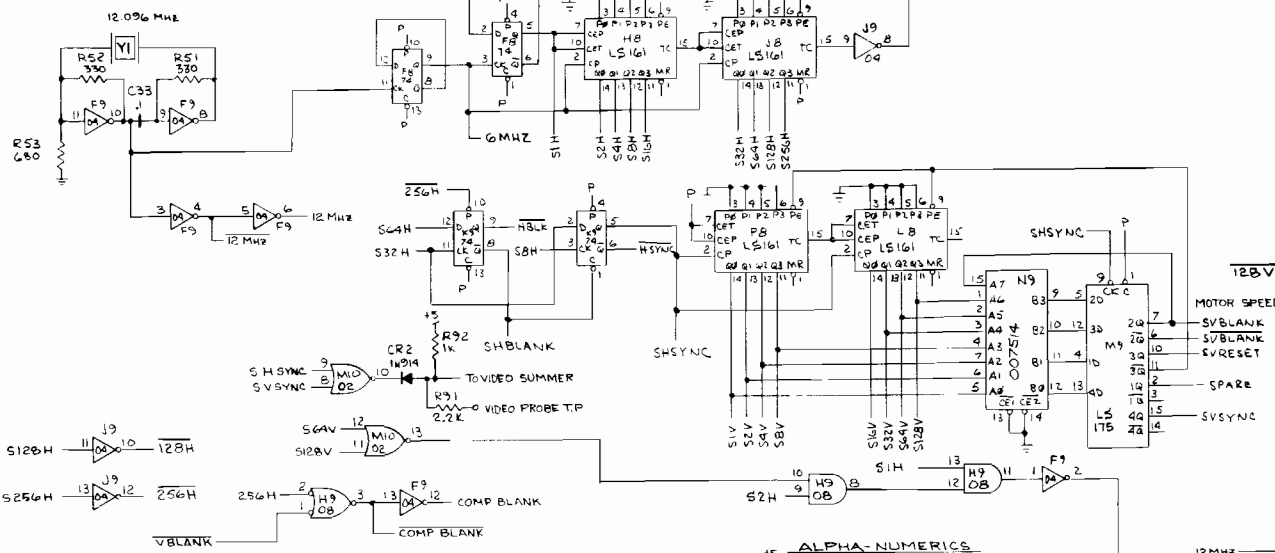




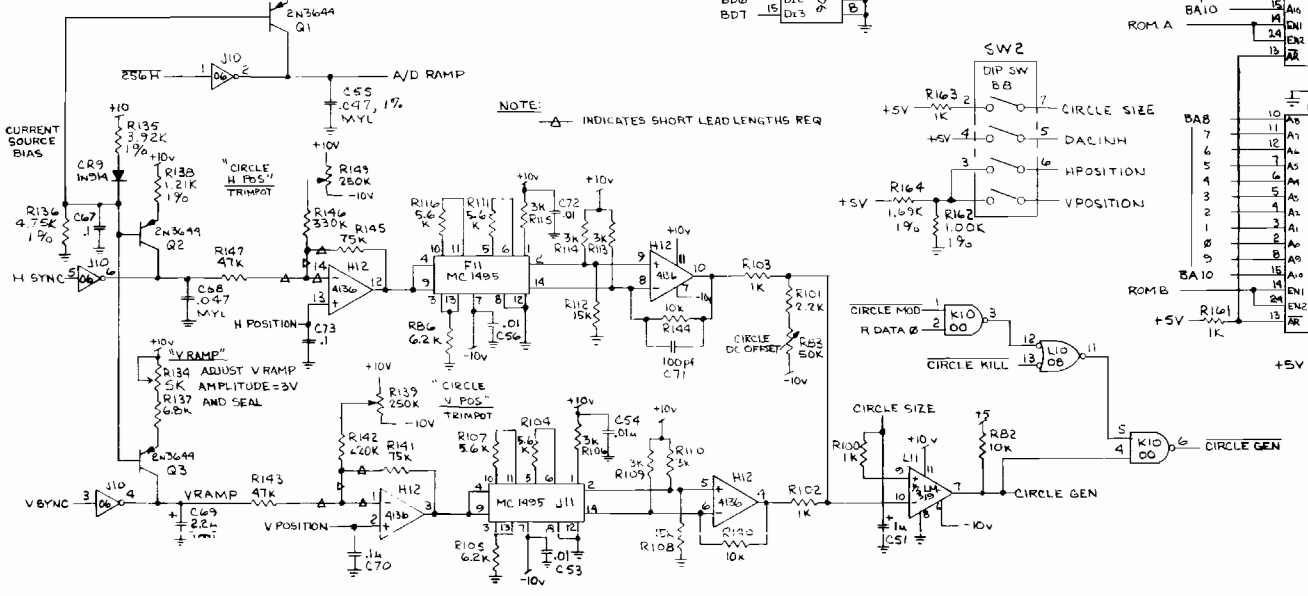
POWER SUPPLY SCHEMATIC

Figure 19 Starship 1 Game Harness Diagram
(Sheet 2 of 2)

SYNC GENERATOR



CIRCLE GENERATOR



NOTICE TO ALL PERSONS RECEIVING THIS DRAWING
 CONFIDENTIAL. Reproduction forbidden without the
 specific written permission of Atari, Inc., Sunnyvale,
 California. This drawing is only conditionally issued, and
 neither receipt nor possession thereof confers or transfers
 any right in, or license to use, the subject matter of the
 drawing or any design or technical information shown
 thereon, nor any right to reproduce this drawing or any part
 thereof, except for manufacture by vendors of Atari Incor-
 porated and for manufacture under the corporation's written
 license, no right to reproduce this drawing is granted or
 the subject matter thereof unless by written agreement
 with or written permission from the corporation.

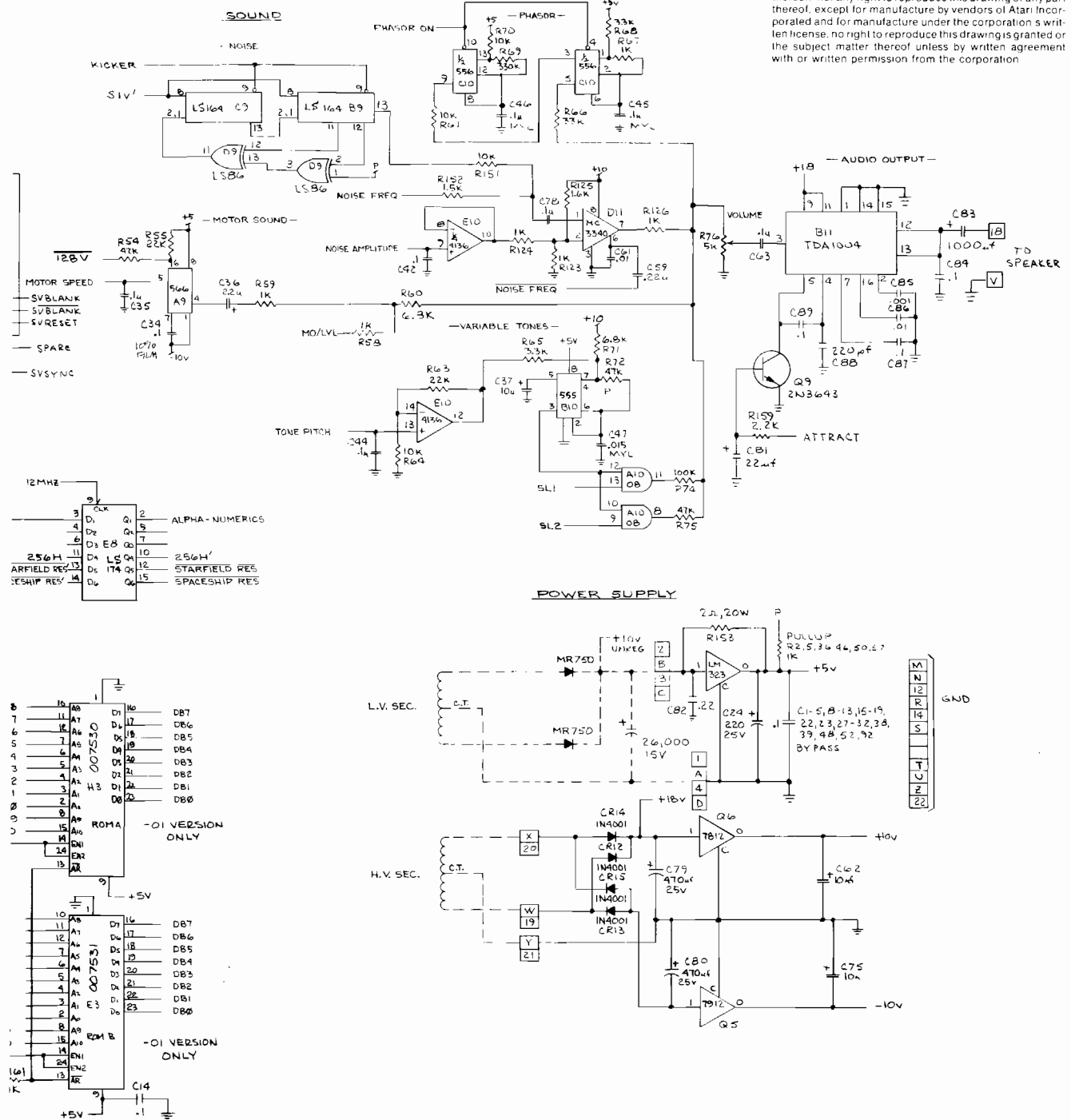
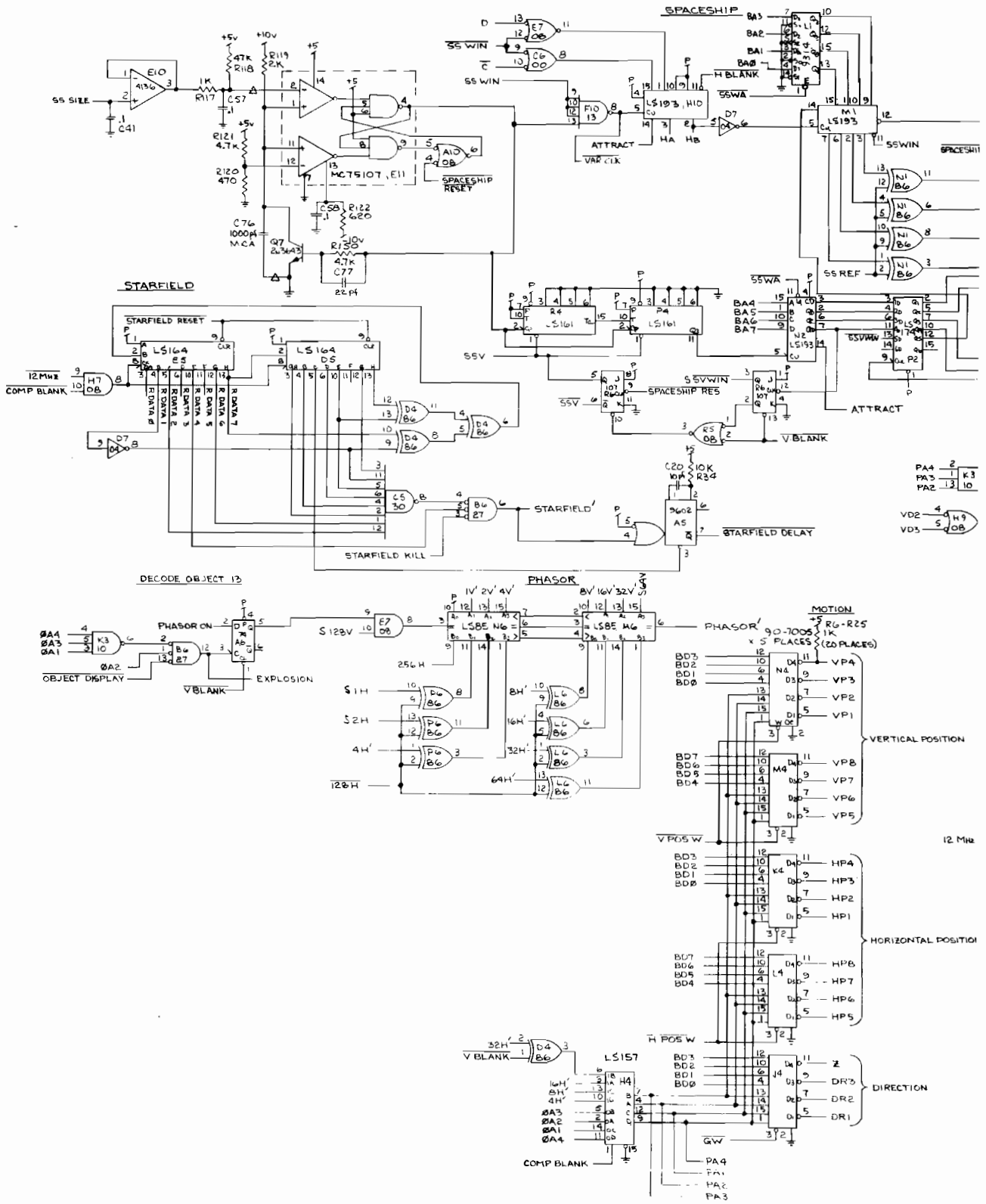


TABLE GEN

Figure 20 Starship 1 PCB Schematic Diagram
 (Sheet 1 of 3)



NOTICE TO ALL PERSONS RECEIVING THIS DRAWING
 CONFIDENTIAL Reproduction forbidden without the
 specific written permission of Atari, Inc., Sunnyvale,
 California. This drawing is only conditionally issued,
 and neither receipt nor possession thereof confers or transfers
 any right in, or license to use, the subject matter of the
 drawing or any design or technical information shown
 thereon, nor any right to reproduce this drawing or any part
 thereof, except for manufacture by vendors of Atari Incor-
 porated and for manufacture under the corporation's writ-
 ten license, no right to reproduce this drawing is granted or
 the subject matter thereof unless by written agreement
 with or written permission from the corporation.

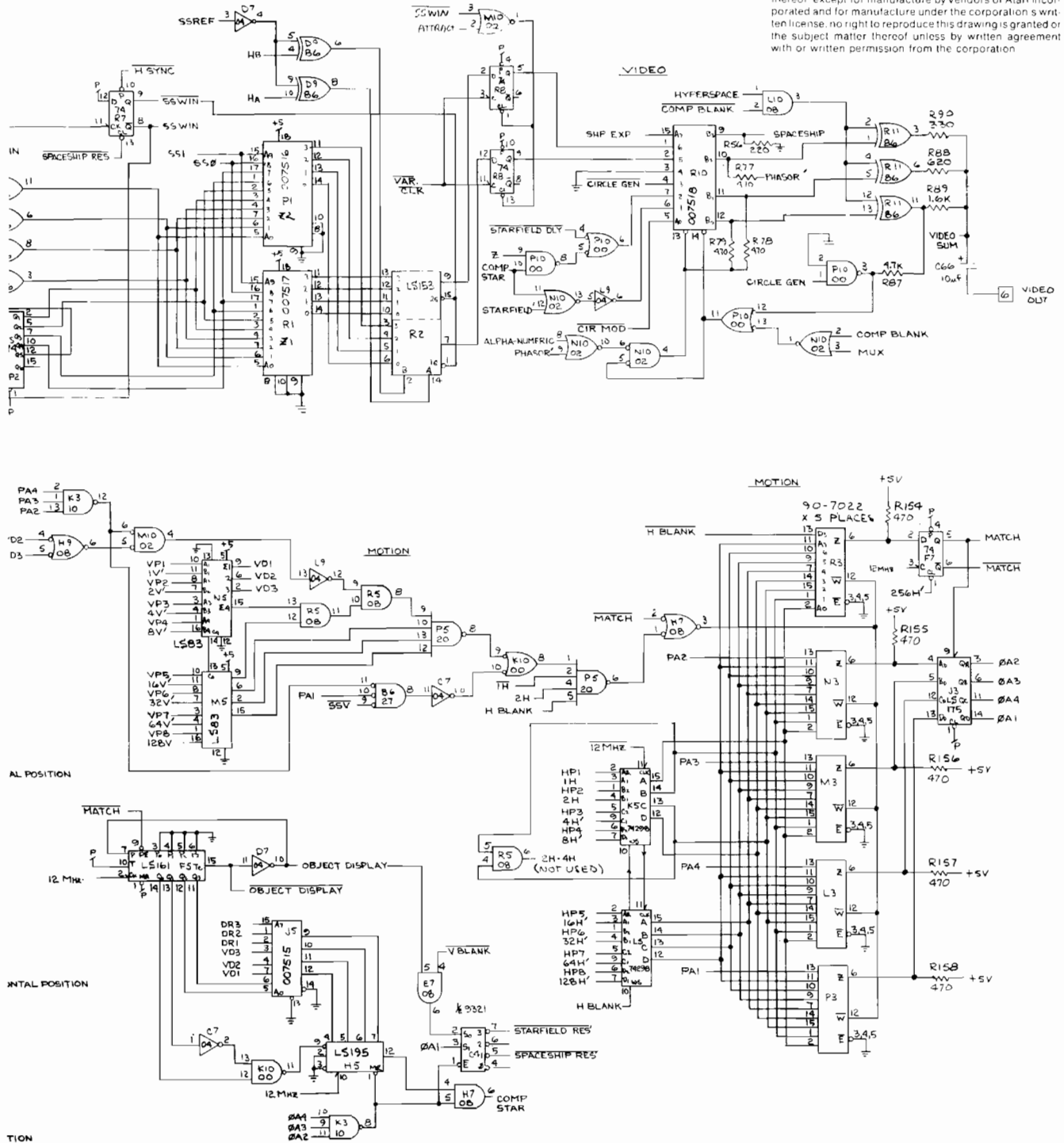
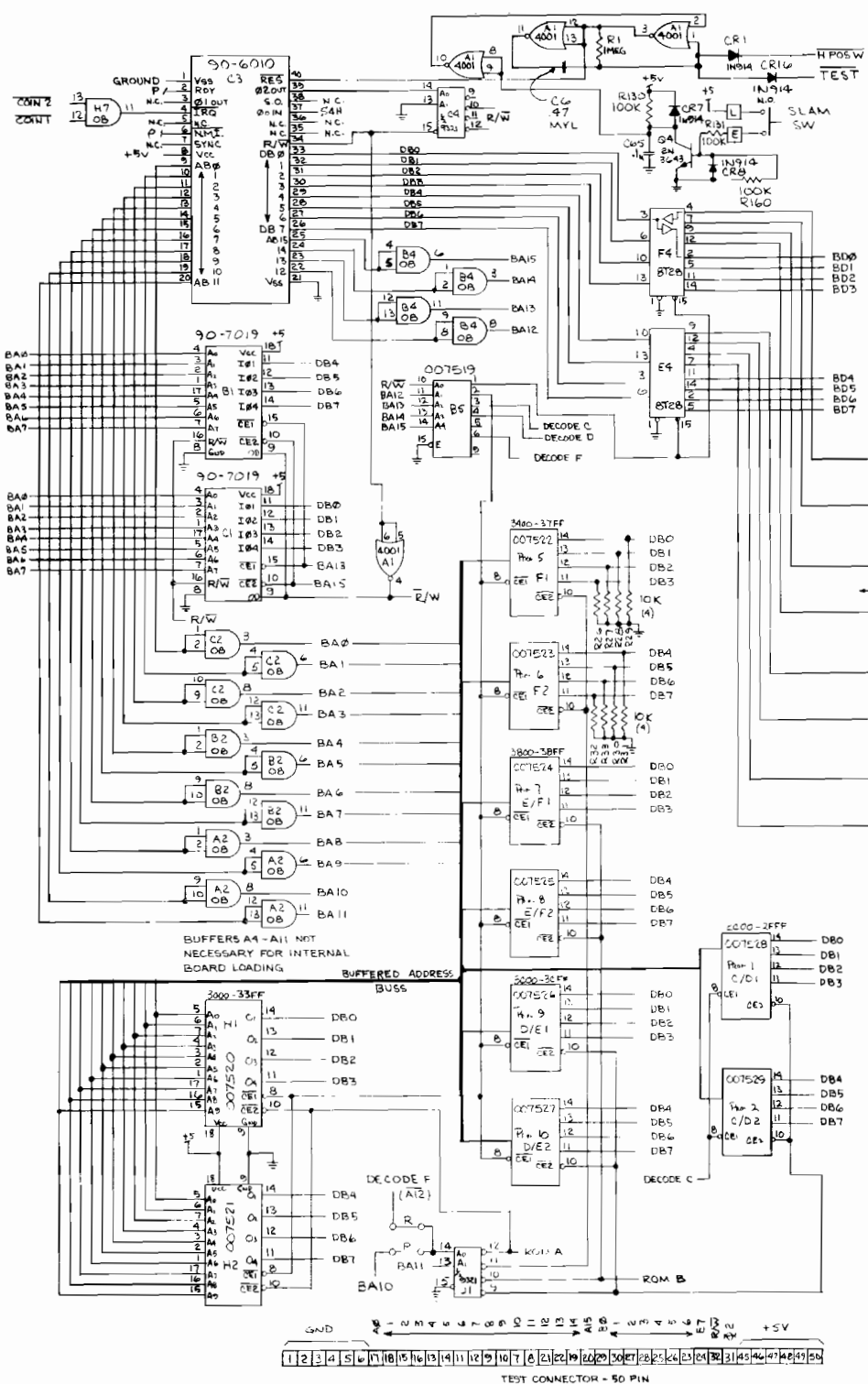
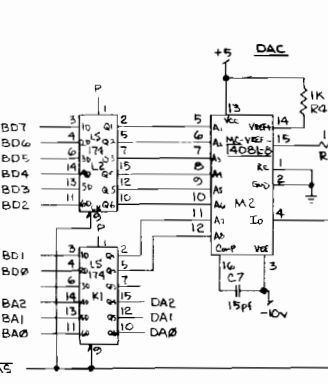
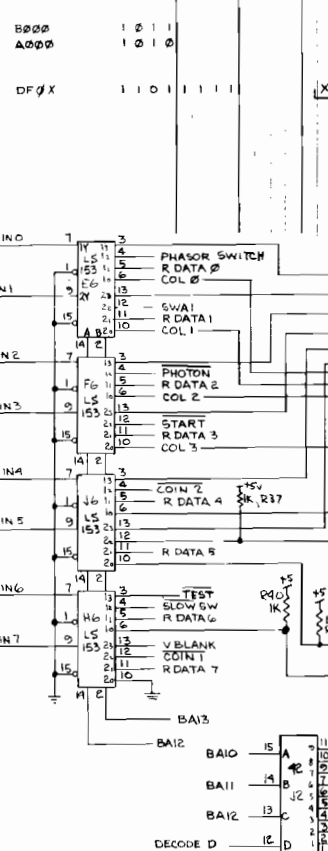


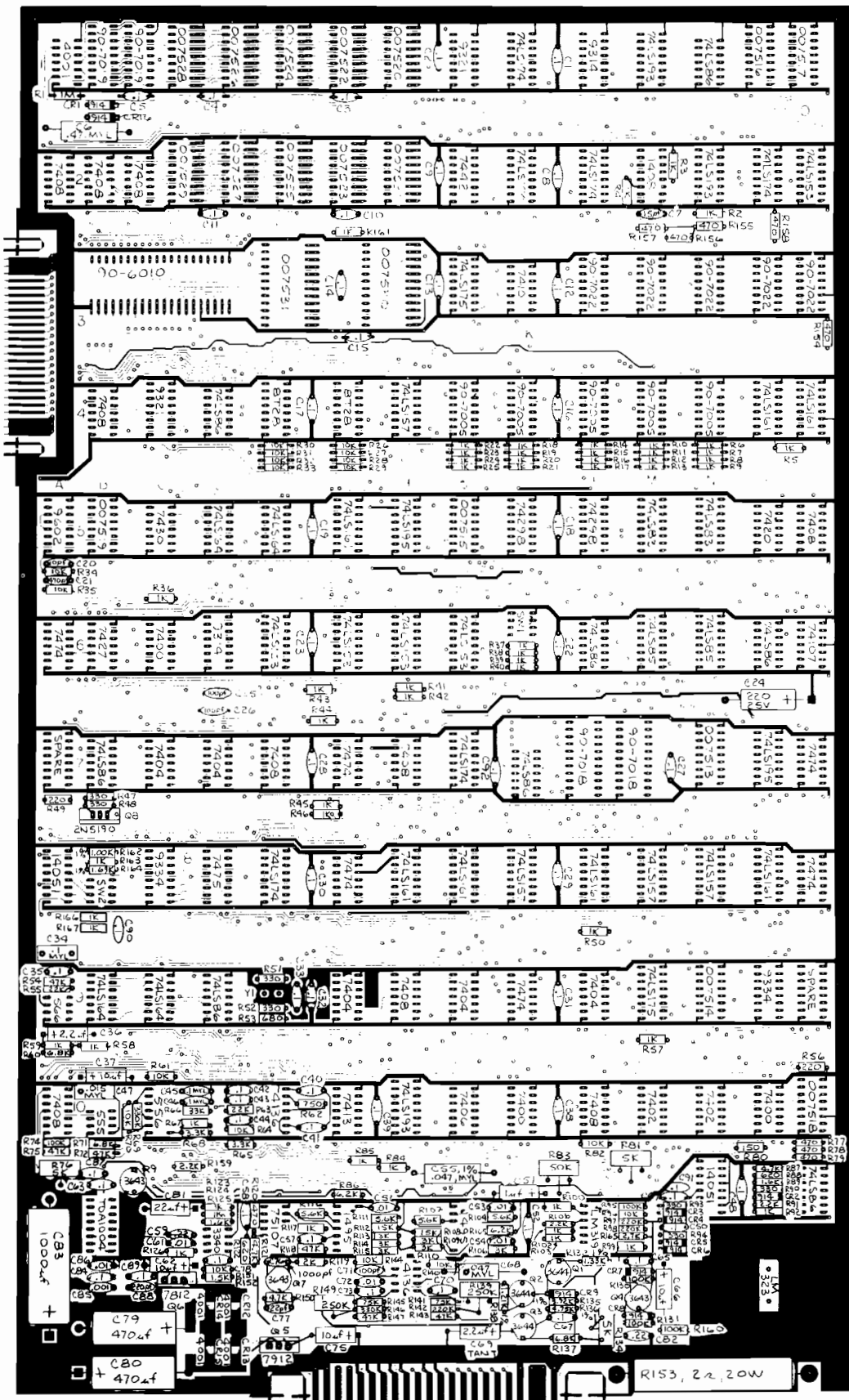
Figure 20 Starship 1 PCB Schematic Diagram (Sheet 2 of 3)



COMPUTER ADDRESS MAP

| ADDRESS | A15 | A14 | A13 | A12 | A11 | A10 | A9 | A8 | A7 | A6 | A5 | A4 | A3 | A2 | A1 | A0 |
|-----------|-----|-----|-----|-----|-----|-----|----|----|----|----|----|----|----|----|----|----|
| 0-3FF | 0 | 0 | 0 | 0 | 0 | 0 | 0 | 0 | 0 | 0 | 0 | 0 | 0 | 0 | 0 | 0 |
| 2000-3FFF | 1 | 1 | 0 | 0 | 0 | 0 | 0 | 0 | 0 | 0 | 0 | 0 | 0 | 0 | 0 | 0 |
| C000-C0FF | 1 | 1 | 0 | 0 | 0 | 0 | 0 | 0 | 0 | 0 | 0 | 0 | 0 | 0 | 0 | 0 |
| C400-C4FF | 1 | 1 | 0 | 0 | 0 | 0 | 0 | 0 | 0 | 0 | 0 | 0 | 0 | 0 | 0 | 0 |
| C800-C8FF | 1 | 1 | 0 | 0 | 0 | 0 | 0 | 0 | 0 | 0 | 0 | 0 | 0 | 0 | 0 | 0 |
| CC0X | 1 | 1 | 0 | 0 | 0 | 0 | 0 | 0 | 0 | 0 | 0 | 0 | 0 | 0 | 0 | 0 |
| CD0X | 1 | 1 | 0 | 0 | 0 | 0 | 0 | 0 | 0 | 0 | 0 | 0 | 0 | 0 | 0 | 0 |
| CE0X | 1 | 1 | 0 | 0 | 0 | 0 | 0 | 0 | 0 | 0 | 0 | 0 | 0 | 0 | 0 | 0 |
| CF0X | 1 | 1 | 0 | 0 | 0 | 0 | 0 | 0 | 0 | 0 | 0 | 0 | 0 | 0 | 0 | 0 |
| D00X | 1 | 1 | 0 | 0 | 0 | 0 | 0 | 0 | 0 | 0 | 0 | 0 | 0 | 0 | 0 | 0 |
| D40X | 1 | 1 | 0 | 0 | 0 | 0 | 0 | 0 | 0 | 0 | 0 | 0 | 0 | 0 | 0 | 0 |
| C400 | 1 | 1 | 0 | 0 | 0 | 0 | 0 | 0 | 0 | 0 | 0 | 0 | 0 | 0 | 0 | 0 |
| CD00 | 1 | 1 | 0 | 0 | 0 | 0 | 0 | 0 | 0 | 0 | 0 | 0 | 0 | 0 | 0 | 0 |
| CE00 | 1 | 1 | 0 | 0 | 0 | 0 | 0 | 0 | 0 | 0 | 0 | 0 | 0 | 0 | 0 | 0 |
| CF00 | 1 | 1 | 0 | 0 | 0 | 0 | 0 | 0 | 0 | 0 | 0 | 0 | 0 | 0 | 0 | 0 |
| D000 | 1 | 1 | 0 | 0 | 0 | 0 | 0 | 0 | 0 | 0 | 0 | 0 | 0 | 0 | 0 | 0 |
| D400 | 1 | 1 | 0 | 0 | 0 | 0 | 0 | 0 | 0 | 0 | 0 | 0 | 0 | 0 | 0 | 0 |
| D800 | 1 | 1 | 0 | 0 | 0 | 0 | 0 | 0 | 0 | 0 | 0 | 0 | 0 | 0 | 0 | 0 |
| DC00 | 1 | 1 | 0 | 0 | 0 | 0 | 0 | 0 | 0 | 0 | 0 | 0 | 0 | 0 | 0 | 0 |
| DE00 | 1 | 1 | 0 | 0 | 0 | 0 | 0 | 0 | 0 | 0 | 0 | 0 | 0 | 0 | 0 | 0 |
| DF0X | 1 | 1 | 0 | 0 | 0 | 0 | 0 | 0 | 0 | 0 | 0 | 0 | 0 | 0 | 0 | 0 |





Starship 1™ PCB
(Sheet 1 of 3)

NOTICE TO ALL PERSONS RECEIVING THIS DRAWING
 CONFIDENTIAL. Reproduction forbidden without the
 specific written permission of Alan, Inc., Sunnyvale
 California. This drawing is only conditionally issued and
 neither recipient nor possession thereof confers or transfers
 any right in or license to use, the subject matter of the
 drawing or any design or technical information shown
 thereon nor any right to reproduce this drawing or any part
 thereof, except for manufacture by vendors of Alan, Incor-
 porated and for manufacture under the corporation's writ-
 ten license. No right to reproduce this drawing is granted or
 the subject matter thereof unless by written agreement
 with or written permission from the corporation.

| Item | Part Number | Qty. | Description |
|------|-------------|------|---|
| 1 | 06695-01 | 1 | P.C. Board |
| 2 | 10-5151 | 1 | Res. Car. Comp. 1/2 W, 5%, 150 OHM R80 |
| 3 | 10-5221 | 2 | " " " " " " 220 " R49,56 |
| 4 | 10-5331 | 7 | " " " " " " 330 " R47,48,51,52,90,93,94 |
| 5 | 10-5471 | 9 | " " " " " " 470 " R77-79,120,154-158 |
| 6 | | | |
| 7 | 10-5621 | 2 | " " " " " " 620 " R88,122 |
| 8 | 10-5681 | 1 | " " " " " " 680 " R53 |
| 9 | 10-5751 | 1 | " " " " " " 750 " R62 |
| 10 | 10-5102 | 53 | " " " " " " 1K " R2-25,36-46,50,57-59 67,84,85,92,99,100,102, 103,117,123,124,126, 161,163,166,167 |
| 11 | | | |
| 12 | 10-5152 | 1 | " " " " " " 1.5K " R152 |
| 13 | 10-5162 | 2 | " " " " " " 1.6K " R89,125 |
| 14 | 10-5202 | 1 | " " " " " " 2K " R119 |
| 15 | 10-5222 | 3 | " " " " " " 2.2K " R91,101,159 |
| 16 | 10-5302 | 6 | " " " " " " 3K " R106,109,110,113-115 |
| 17 | 10-5332 | 2 | " " " " " " 3.3K " R65,68 |
| 18 | 10-5472 | 3 | " " " " " " 4.7K " R87,121,150 |

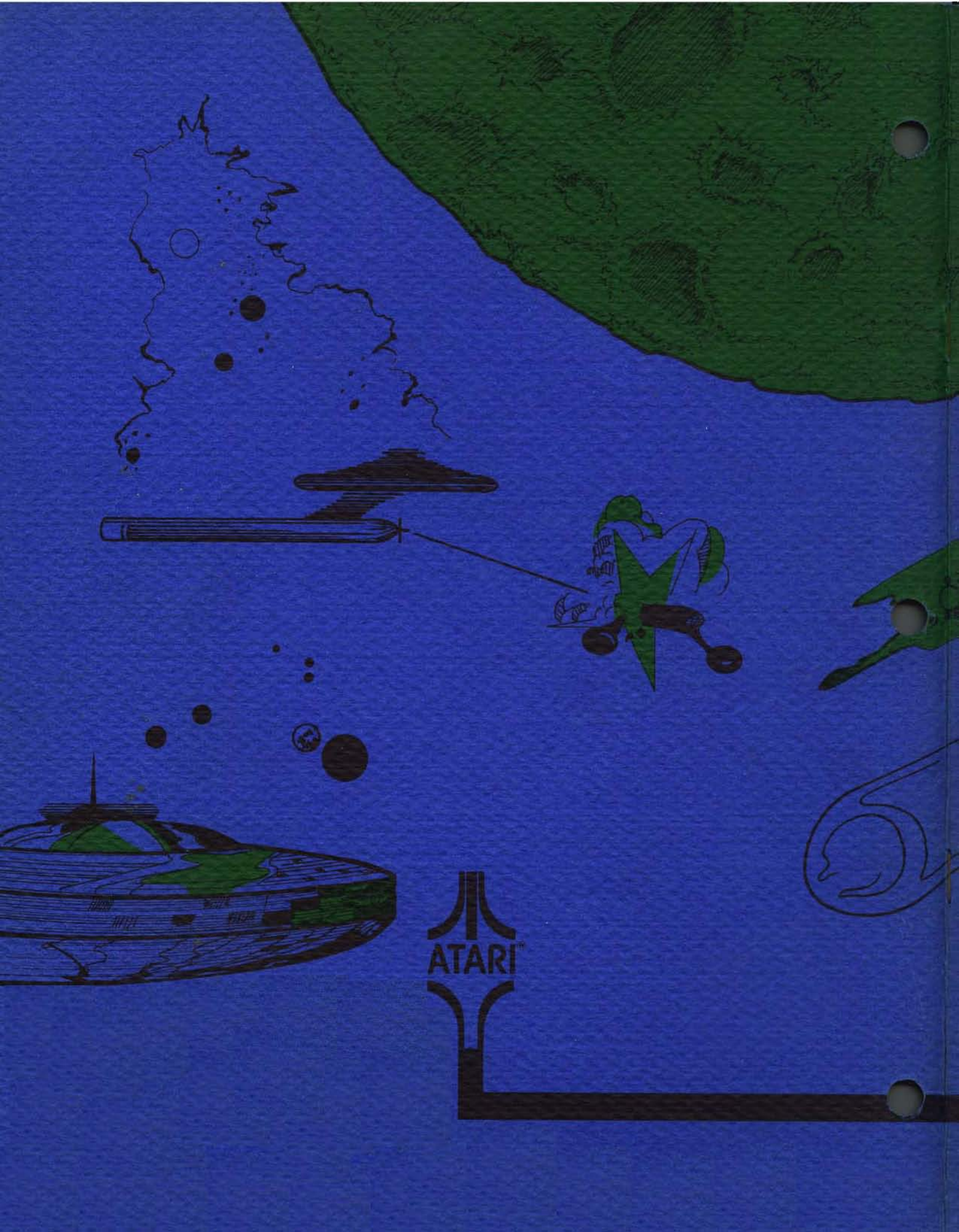
| Item | Part Number | Qty. | Description |
|------|-------------|------|---|
| 19 | 10-5562 | 4 | Res, Car. Comp. 1/2 W 5%, 5.6K OHM R104,107,111,116 |
| 20 | 10-5622 | 2 | " " " " " " 6.2K " R86,105 |
| 21 | 10-5682 | 3 | " " " " " " 6.8K " R71,137,60 |
| 22 | 10-5103 | 18 | " " " " " " 10K " R26-35,61,64,70, 82,96,140,144,151 |
| 23 | 10-5153 | 2 | " " " " " " 15K " R108,112 |
| 24 | 10-5223 | 2 | " " " " " " 22K " R55,63 |
| 25 | 10-5333 | 1 | " " " " " " 33K " R66 |
| 26 | 10-5473 | 6 | " " " " " " 47K " R54,72,75,118,143, 147 |
| 27 | 10-5753 | 2 | " " " " " " 75K " R141,145 |
| 28 | 10-5104 | 5 | " " " " " " 100K " R74,95, 130,131, 160 |
| 29 | 10-5224 | 3 | " " " " " " 220K " R97,98,142 |
| 30 | 10-5334 | 2 | " " " " " " 330K " R69,146 |
| 31 | 10-5105 | 1 | Res, Car. Comp. 1/2 W 5% 1M OHM R1 |
| 32 | 14-1472 | 1 | " " Film " 1% 4.75K OHM R136 |
| 33 | 14-1392 | 1 | " " " " " " 3.92K " R135 |
| 34 | 14-1122 | 1 | " " " " " " 1.21K " R138 |
| 35 | 14-1132 | 1 | " " " " " " 1.33K " R132 |
| 36 | 19-8DW2P0 | 1 | Res, Wirewound 2 OHM, 20 W R153 |
| 37 | | | |
| 38 | 19-315502 | 3 | Trimpot, 5K OHM R76,81,134 |
| 39 | 19-315503 | 1 | " " 50K OHM R83 |
| 40 | 19-315554 | 2 | " " 250K OHM R139,149 |
| 41 | 21-101473 | 1 | Cap, Mylar, .047uf 100V C68 |
| 42 | 21-101153 | 1 | Cap, Mylar, .015uf 100V C47 |
| 43 | 21-101104 | 3 | Cap, Mylar, .1 uf 100V C34,45,46 |
| 44 | 21-101474 | 1 | Cap, Mylar, .47uf 100V C6 |

| Item | Part Number | Qty. | Description |
|------|-------------|------|---|
| 45 | 24-250105 | 1 | Cap, Elect 1uf 25V C51 |
| 46 | 24-250225 | 1 | " " 2.2uf 25V C36 |
| 47 | 24-250106 | 4 | " " 10uf 25V C37,62,66,75 |
| 48 | 24-250227 | 1 | " " 220uf 25V C24, |
| 49 | 24-250477 | 2 | Cap, Elect 470uf 25V C79,80 |
| 50 | 24-250226 | 1 | " " 22uf " C81 |
| 51 | 24-250108 | 1 | " " 1000uf " C83 |
| 52 | 27-250103 | 6 | Cap, Cer Disc .01uf 25V C53,54,56,61,77,86 |
| 53 | 27-250104 | 52 | " " " 0.1uf 25V C1-5,8-19,22,23,27-33,35,38-44,48-50,52,57,58,63,65,67,70,73,74,84,87,89,90,91,92 |
| 54 | 27-250224 | 1 | Cap, Cer Disc .22uf 25V C59 |
| 55 | 27-250102 | 1 | " " " .001uf " C85 |
| 56 | 28-101100 | 1 | Cap, Dipped Mica 10pf 100V C20 |
| 57 | 28-101150 | 1 | " " " 15pf 100V C7 |
| 58 | 28-101220 | 1 | " " " 27pf 100V C77 |
| 59 | 28-101101 | 3 | " " " 100pf 100V C25,26,71 |
| 60 | 28-101471 | 1 | " " " 470pf 100V C21 |
| 61 | 28-101102 | 1 | " " " 1000pf 100V C76 |
| 62 | 28-101221 | 1 | " " " 220pf 100V C88 |
| 63 | 29-010 | 1 | Cap, Tantalum 2.2uf 10V C69 |
| 64 | 29-063 | 1 | Cap, Polycarbon, .047uf,50V,1% C55 |
| 65 | | | |
| 66 | 31-1N914 | 10 | Diode, 1N914 CR1-9,16 |
| 67 | 31-1N4001 | 4 | Diode, 1N4001 CR12-15 |
| 68 | | | |
| 69 | 33-2N3644 | 3 | Transistor, 2N3644 Q1-3 |
| 70 | 34-2N3643 | 3 | Transistor, 2N3643 Q4,7,9 |

| Item | Part Number | Qty. | Description |
|------|-------------|------|--|
| 71 | 34-2N5190 | 1 | Transistor, 2N5190 Q8 |
| 72 | | | |
| 73 | 37-7400 | 3 | I.C. 7400 C6,K10,P10 |
| 74 | 37-7402 | 2 | I.C. 7402 M10,N10 |
| 75 | 37-7404 | 5 | " 7404 C7,D7,F9,J9,L9 |
| 76 | 37-7406 | 1 | " 7406 J10 |
| 77 | 37-7408 | 10 | " 7408 A2,B2,C2,B4,B5,E7,H7,H9,A10,L10 |
| 78 | 37-7410 | 1 | " 7410 K3 |
| 79 | 37-7413 | 1 | " 7413 F10 |
| 80 | 37-7420 | 1 | " 7420 P5 |
| 81 | 37-7427 | 1 | " 7427 B6 |
| 82 | 37-7430 | 1 | " 7430 C5 |
| 83 | 37-7442 | 1 | " 7442 J2 |
| 84 | 37-7474 | 6 | " 7474 A6,F7,R7,F8,R8,X9 |
| 85 | 37-74LS83 | 2 | " 74LS83 M5,N5 |
| 86 | 37-74LS85 | 2 | " 74LS85 M6,N6 |
| 87 | 37-74LS86 | 8 | " 74LS86 N1,D4,L6,P6,D9,R11 |
| 88 | 37-74107 | 1 | " 74107 B7,K7 |
| 89 | 37-74LS153 | 5 | " 74LS153 R2,E6,F6,H6,J6 |
| 90 | 37-74LS157 | 4 | " 74LS157 H4,K8,M8,N8 |
| 91 | 37-74LS161 | 7 | " 74LS161 P4,H4,F5,H8,J8,L8,P8 |
| 92 | 37-74LS164 | 4 | " 74LS164 D5,E5,B9,C9 |
| 93 | 37-74LS174 | 6 | " 74LS174 K1,K2,L2,P2,J7,E9 |
| 94 | 37-74LS175 | 2 | " 74LS175 J3,M9 |
| 95 | 37-74LS193 | 3 | " 74LS193 M1,N2,H10 |
| 96 | 37-74LS195 | 2 | " 74LS195 H5,P7 |
| 97 | 37-74298 | 2 | " 74298 K5,L5 |

| Item | Part Number | Qty. | Description |
|------|-------------|------|---------------------------|
| 98 | 37-555 | 1 | I.C. 555 B10 |
| 99 | 37-556 | 1 | " 556 C10 |
| 100 | 37-566 | 1 | " 566 A9 |
| 101 | 37-1408 | 1 | " 1408 M2 |
| 102 | 37-1495 | 2 | " 1495 F11,J11 |
| 103 | 37-75107 | 1 | " 75107 E11 |
| 104 | 37-9314 | 2 | " 9314 L1,D6 |
| 105 | 37-9321 | 2 | " 9321 J1,C4 |
| 106 | 37-9334 | 2 | " 9334 C8,P9 |
| 107 | 37-9602 | 1 | " 9602 A5 |
| 108 | 37-4001 | 1 | " 4001 A1 |
| 109 | 37-8T28 | 2 | " 8T28 B4,F4 |
| 110 | 37-1M319 | 1 | " 1M319 L11 |
| 111 | 37-TDA1004 | 1 | OP. AMP TDA1004 R11 |
| 112 | 37-14051 | 2 | I.C. 14051 A8,N11 |
| 113 | 37-4136 | 2 | " 4136 E10,H12 |
| 114 | 37- MC3340P | 1 | " MC3340P D11 |
| 115 | 37-LM323 | 1 | Regulator LM323 |
| 116 | 37-7812 | 1 | Regulator +12V 7812 Q6 |
| 117 | 37-7912 | 1 | Regulator -12V 7912 Q5 |
| 118 | 37-7475 | 1 | I.C. 7475 B8 |
| 119 | | | |
| 120 | 90-6010 | 1 | I.C. C3 |
| 121 | 90-7005 | 5 | RAM, 82525 J4,K4,L4,M4,N4 |
| 122 | 90-7022 | 5 | RAM, 82517 L3,M3,N3,P3,R3 |
| 123 | 90-7018 | 2 | RAM, 2101A-2 M7,L7 |
| 124 | 90-7019 | 2 | RAM, 2111A-4 B1,C1 |
| 125 | | | |

| Item | Part Number | Qty. | Description |
|------|-------------|------|---|
| 126 | 66-114P1T | 2 | Dipswitch, 4PST (SW1) (SW 2) X6, B8 |
| 127 | 90-102 | 1 | Crystal, 12.096 MHz Y1 |
| 128 | 79-42040 | 1 | Socket, 40 Pin C3 |
| 129 | 78-06022 | 1 | Heatsink, TDA1004 |
| 130 | 78-16005 | 1 | Silpad |
| 131 | 72-1600C | 2 | Screw, Mach., Fan Hd. Phil #6-32 x 5 Cres |
| 132 | 75-0165 | 2 | Washer, Flat #6 |
| 133 | 75-056 | 2 | Washer, Lock, Int Star #6 |
| 134 | 75-916C | 2 | Nut, Hex, #6-32 Cres |
| 135 | 78-13016 | A/R | Cement, TDA1004 Heatsink |
| 136 | 007513-01 | 1 | Prom, Alpha-Numerics N7 |
| 137 | 007514-01 | 1 | " Sync N9 |
| 138 | 007515-01 | 1 | " Object J5 |
| 139 | 007516-01 | 1 | " Spaceship Z2 P1 |
| 140 | 007517-01 | 1 | " Spaceship Z1 R1 |
| 141 | 007518-01 | 1 | " Video Output R10 |
| 142 | 007519-01 | 1 | " Address B5 |
| 143 | | | |
| 144 | 007530-02 | 1 | Program Rom 3000 B3 |
| 145 | 007531-02 | 1 | Program Rom 3800 E3 |
| 146 | 007528-02 | 1 | Prom, Program 2C00-0 C/D1 |
| 147 | 007529-02 | 1 | Prom, Program 2C00-1 C/D2 |
| 148 | 10-5272 | 1 | Res, Carbon, 1/4W, 5%, 2.7k Ohm R165 |
| 149 | | | |
| 150 | 14-1102 | 1 | Res, Film, 1/4W, 1%, 1.00K Ohm R162 |
| 151 | 14-1162 | 1 | " " " " 1.69K Ohm R164 |



ATARI™