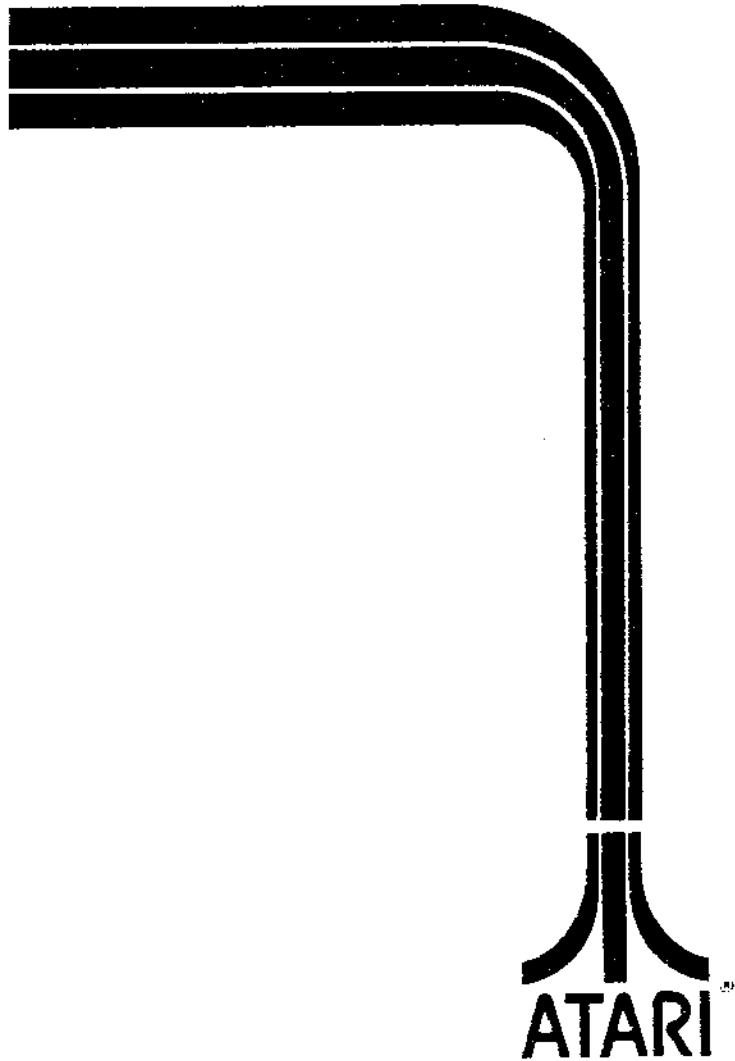


Operator Information
and Illustrated Parts
Catalog

Sprint 4™

Operator Information and Illustrated Parts Catalog

ATARI INC
1265 BORREGAS AVENUE
P.O. BOX 9027
SUNNYVALE, CALIFORNIA 94086
408/745-2000 • TELEX 35-7488




A Warner Communications Company 

Table of Contents

Operator Options	2
Table 1.....	3
Self-Test Procedure	4
Table 2.....	4

Illustrated Parts Catalog

Figure 1	Final Location Drawing Drawing and Parts List.....	6
Figure 2	Fabricated Top Final Assembly Drawing and Parts List.....	8
Figure 3	Control Panel Assembly Drawing and Parts List.....	10
Figure 4	Steering Wheel Assembly Drawing and Parts List.....	12
Figure 5	Steering Board Assembly Drawing, Parts List and Schematic.....	14
Figure 6	H-Shift Assembly Drawing and Parts List.....	18
Figure 7	Cabinet Assembly Drawing and Parts List.....	20
Figure 8	Monitor, Power Supply, and RF Shield Board Assembly Drawing and Parts List.....	24
Figure 9	Power Supply Assembly Drawing, Parts List and Schematic.....	26
Figure 10	Foot Pedal Assembly Drawing and Parts List.....	30
Figure 11	Coin Door Assembly Drawing and Parts List.....	32
Figure 12	RF Shield PCB Assembly Drawing and Parts List.....	34
Figure 13	PCB Assembly Drawing and Parts List.....	36
Figure 14	PCB Schematic Diagram 6 sheets.....	43
Figure 15	Harness Schematic.....	55

OPERATOR OPTIONS

Options of the Sprint 4™ game offer maximum player appeal for each game location. These options are listed in Table 1. They are preset for a certain game structure during production. To determine how the switches have been set for your game, compare the TV monitor viewing screen during the attract mode with the information in Table 1.

In order to change the toggle positions of the switch assembly and set the desired options, the printed circuit board (PCB) must be removed according to the following procedure:

1. Unplug the game. Unlock and open the side access panel.
2. Locate the RF box immediately inside the cabinet, next to one of the coin mechanisms. (It is an aluminum box with small holes.) On one end of the box is a printed circuit board with an edge connector coming from the edge of the board. This printed circuit board is the RF shield assembly.
3. Remove the five pan-head Phillips screws from each of the long sides (total of ten screws) of the RF shield assembly.

IMPORTANT: To prevent damage to the capacitors on the rear side of this PCB, move the board about 1/4" towards the edge connector (same direction as two arrows on small white label). Then pull the RF board out towards yourself. Never yank the RF board straight out of the metal box.

4. Carefully remove the PCB from the RF shield assembly.
5. Set the switches for the desired options, as shown in Table 1.
6. Reinstall the PCB following Steps 1 through 4 in reverse order. Do not force or bend the printed circuit board. Before reinstalling, always inspect the printed circuit board for damage. Close and lock the side access panel.
7. Plug in the game and verify option functions by playing it.

Table 1 Operator Options

Option	1	2	3	4	5	6	7	8	Results
Game Length	ON OFF OFF OFF	OFF ON OFF OFF	OFF OFF ON OFF	OFF OFF OFF ON OFF					60 Seconds 90 Seconds 120 Seconds 150 Seconds 150 Seconds
Late Entry*		OFF	OFF	OFF	ON OFF				Late Entry Permitted Late Entry Not Permitted
Game Cost						ON OFF			Two Coins Per Player One Coin Per Player
Language							OFF ON OFF ON	OFF OFF ON ON	English French Spanish German

* A player entering late has only the time remaining of the game in progress.

SELF-TEST PROCEDURE

The self-test procedure permits you to check the TV monitor, the character-generating and sync circuits, and the controls. The procedure uses the TV monitor and the speakers; no additional equipment is required. We suggest that you run the self-test each time the coin box is emptied.

Table 2 Self-Test Procedure

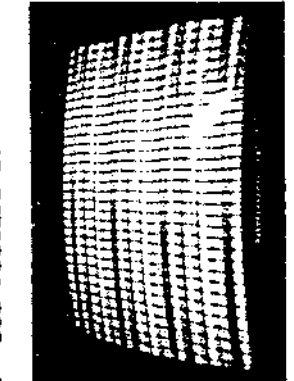
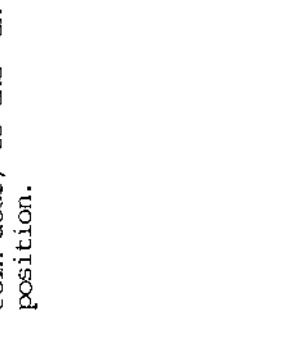
Test Instruction	Results if Test Passes	Results if Test Fails
<p>1 Unlock and open coin door. Set self-test slide switch (centered directly above coin door) to the "on" position.</p>	<p>Alphanumerics (A through Z and 0 through 9) move across the entire TV monitor viewing screen for a few seconds. See Picture 1.</p>  <p>The words: RAM OK ROM OK then appear on the viewing screen. See Picture 2.</p> 	<p>For an example of a bad ROM, the screen displays the words:</p> <p>RAM OK ROM 1</p> <p>(In this example, 1 is the number of the bad ROM.)</p> <p>A bad RAM is identified by an audio response. Fixed "garbage" appears on the screen.</p> <p>NOTE TO TECHNICIAN</p> <p>A screech sound indicates a good bit and a crash sound indicates a bad bit. Count the screeches and note the number of the crash noise in the sequence. The number corresponding to the crash noise is the bad bit (counting from the most to the least significant bit).</p>

Table 2 Self-Test Procedure

Test	Instruction	Results if Test Passes	Results if Test Fails
2	Shift through all four gears at each player station.	The number (1 through 4) on the viewing screen in front of each player station corresponds to the gear shift position. Thus, a 1 is displayed if the shifter is in first gear, a 2 for second gear, and so on. See Picture 2 above.	The number on the viewing screen does not correspond to the gear shift position.
3	<p>Press each START and each SELECT button at all four player stations.</p> <p>Trip right and left coin acceptor wires.</p> <p>Step on all four gas pedals.</p>	<p>A screech sound occurs each time a START or SELECT button is pressed.</p> <p>A screech sound occurs each time an acceptor wire is tripped.</p> <p>A screech sound occurs each time a gas pedal is depressed.</p>	<p>A constant screech sound indicates a stuck switch or a shorted harness.</p> <p>No screech sound indicates a broken switch or an open harness.</p>

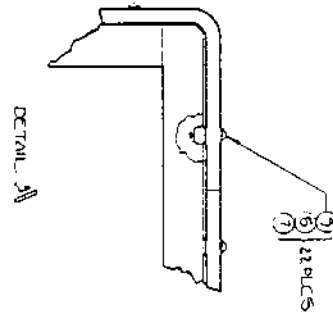
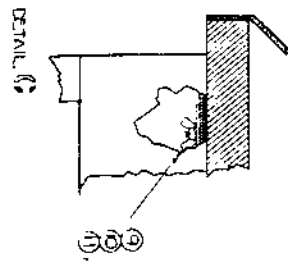
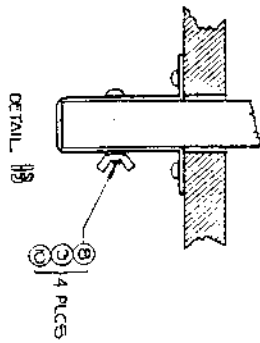
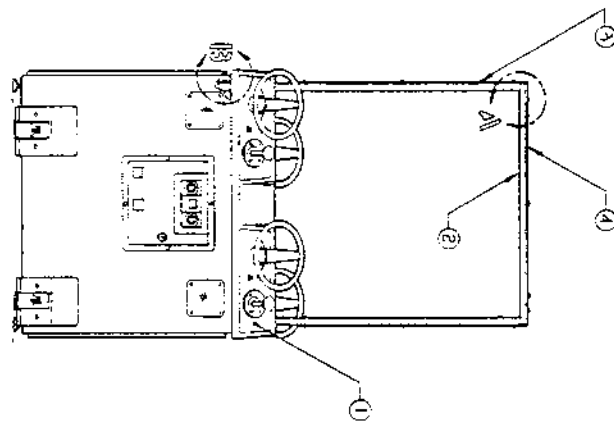
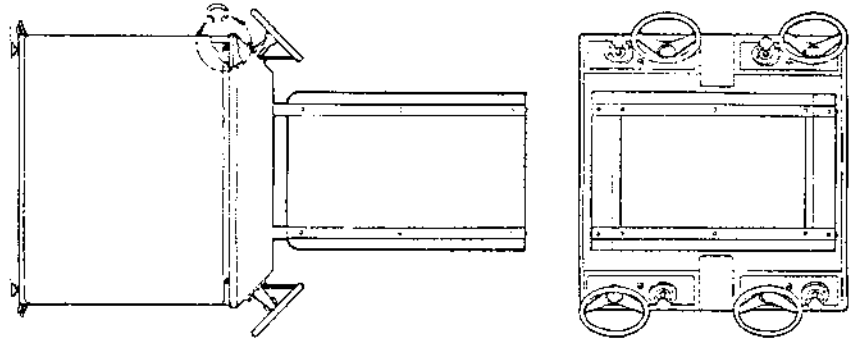



Figure 1 Final Location Drawing
A009708-01 A



Figure 1 Final Location Drawing
Parts List

Item	Part Number	Qty.	Description
1	A009693-01	1	Fabricated Top Final Assy See Figure 2
2	009555-01	2	Canopy Frame
3	009698-01	2	Canopy, Side W/Graphics
4	009556-01	1	Canopy Top
5	75-99090006	22	Well Nut, Blind Hole Fastener
6	82-8016B	22	Screw Button Hd 10-32 x 1.00 Lg.
7	75-07021	22	Washer, Flat, Nylon, Black #10
8	72-5524	4	Hex Hd., 1/4-20 x 1.50 Lg.
9	75-045	8	Washer Split-Lock 1/4"
10	75-935	8	Nut Wing 1/4-20
11	75-035S	4	Washer, Flat, Wide Pattern
12	A009571-01	1	Assy Cabinet See Figure 7

 A Warner Communications Company

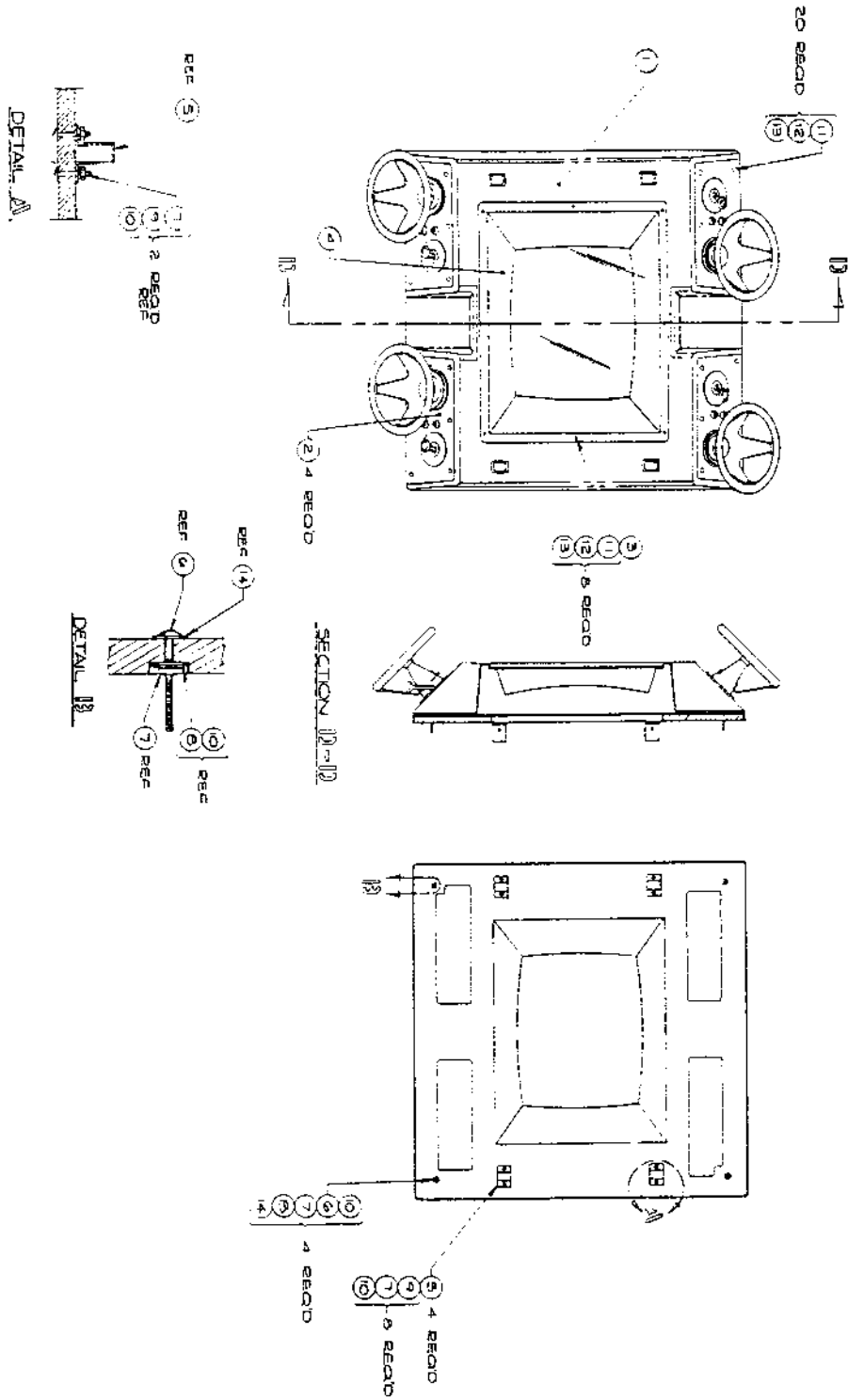


Figure 2 Fabricated Top Final Assembly
A009693-01 A



Figure 2 Fabricated Top Final Assembly
Parts List

Item	Part Number	Qty.	Description
1	009553-01	1	Fabricated Top
2	A009691-01	4	Assembly Control Panel See Figure 3
3	009695-01	1	Plex Screen With Graphics
4	009699-01	1	Bezel, With Graphics
5	009558-01	4	Bracket For Canopy Frame
6	75-5532NX	4	Carriage Bolt, RD. HD., $\frac{1}{4}$ -20 x 2.00"Lg.
7	75-915	12	Nut, Hex, $\frac{1}{4}$ -20
8	75-015S	4	Washer, Flat, $\frac{1}{4}$
9	75-5520N	8	Carriage Bolt, RD. HD., $\frac{1}{4}$ -20 x $1\frac{1}{4}$ " Lg.
10	75-045	12	Washer Splitlock, $\frac{1}{4}$
11	82-8016B	28	Screw, But. HD., #10-32 x 1.00" Lg.
12	75-99090006	28	Well Nut, Blind Hole Fastener
13	75-07021	28	Washer, Flat, Nylon, Black #10
14	75-019S	4	Washer, Flat 5/16"

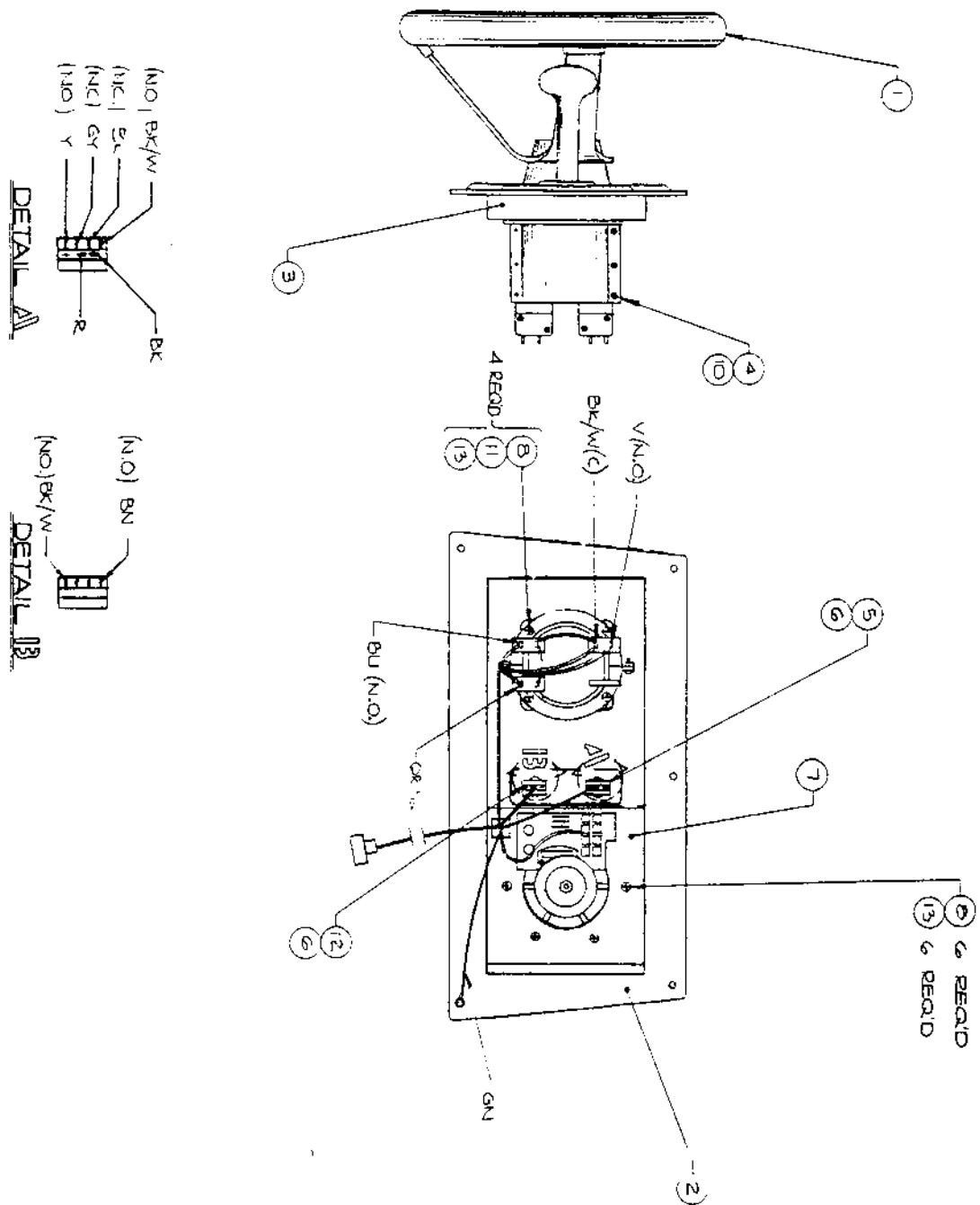



Figure 3 Control Panel Assembly
A009691-01 A



Figure 3 Control Panel Assembly
Parts List

Item	Part Number	Qty.	Description
1	A000598 -07	1	Steering Wheel Assy See Figure 4
2	009805-01	1	Control Panel, With Graphics
3	009690-01	1	Control Panel, Wood Spacer
4	A000608-03	1	H-Shift Assy See Figure 6
5	62-002	1	Led Switch
6	001856-01	2	Aluminum Bushing, Switch
7	000567-01	1	Bow Washer
8	85-22F112	10	Screw, Mach., Phil., #10-24 x 3/4 Lg Type F
9	A030002-01	1	Harness, Control Panel
10	005255-01	1	Shift Bezel
11	75-010S	4	#10 Flat Washer
12	62-009	1	Switch, Licon, (Black Cap)
13	75-040	10	Washer, Splitlock, #10

 A Warner Communications Company

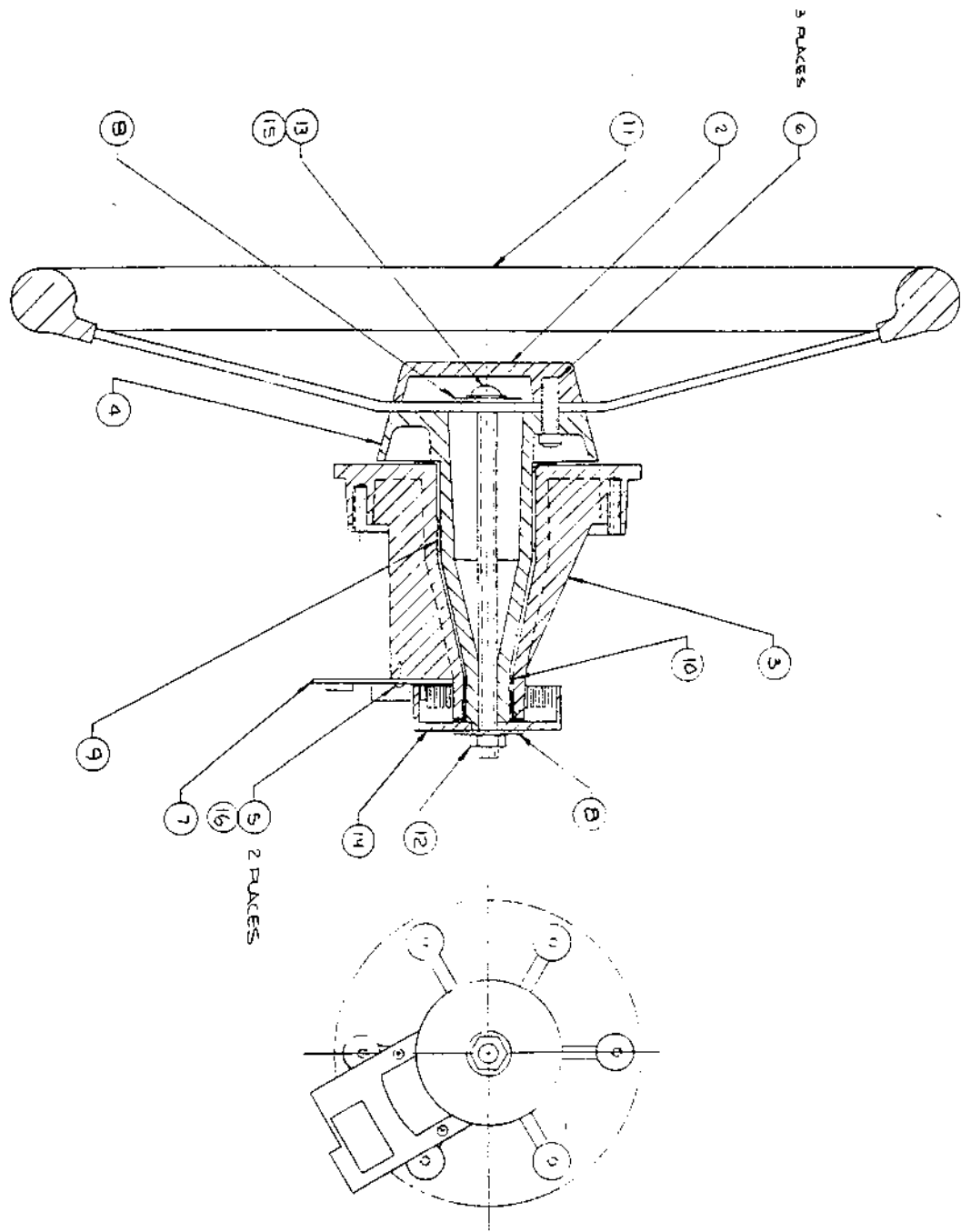



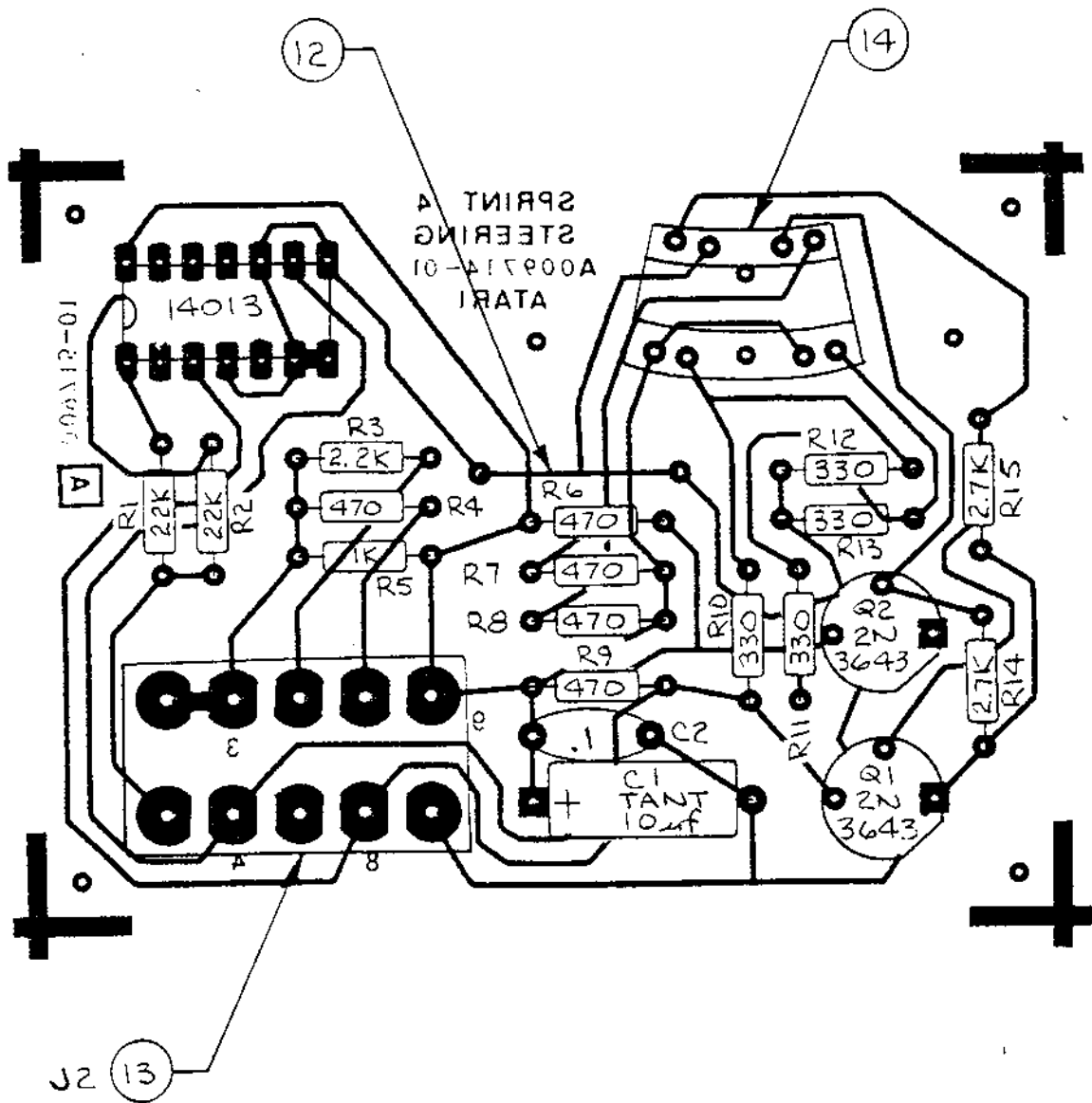
Figure 4 Steering Wheel Assembly
A000598-07 P.



Figure 4 Steering Wheel Assembly
Parts List

Item	Part Number	Qty.	DESCRIPTION
1	A000598 -07	Ref	Steering Wheel Assembly
2	000599-02	1	Cover, Atari Logo
3	000605 -01	1	Housing
4	000606 -02	1	Shaft
5	85-22F208	2	SCR SMT Metal #2-56x $\frac{1}{2}$ Lg. "F"Type
6	72-7512	3	Mach Scr, $\frac{1}{4}$ -20 x 3/4 Lg, Fillister Hd Slotted
7	A009714-01	1	Printed Circuit Assembly See Figure 5
8	75-07002	2	Washer, Fender, $\frac{1}{4}$
9	76-092020	1	Bearing, Thompson (20L20-FK)
10	76-091010	1	Bearing, Thompson (10L10-FK)
11	78-40104	1	Steering Wheel, 10"
12	75-990505 S	1	Nut, $\frac{1}{4}$ -20, Nylon Lock, Shallow Pattern
13	72-9580	1	Mach Scr, $\frac{1}{4}$ -20 x 5 Lg, Truss Hd, Slotted
14	000616	1	Hub Light
15	75-055	1	Washer, $\frac{1}{4}$ " Int. Tooth, Starlock
16	75-042	2	Washer, Split Lock #2

 A Warner Communications Company



TRACES ARE ON OPPOSITE SIDE

Figure 5 Steering Board Assembly
A009714-01 A



Figure 5 Steering Board Assembly
Parts List

Item	Part Number	Qty.	Description
1	009715-01	1	P. C. Board
2	10-5102	1	Resistor, Carbon Comp., 1/4W, 5%, 1K Ohm R5
3	10-5222	1	" " " " " 2.2K " R3
4	10-5223	2	" " " " " 22K " R1,2
5	10-5272	2	" " " " " 2.7K " R14,15
6	10-5331	4	" " " " " 330 " R10-13
7	10-5471	5	" " " " " 470 " R4,6-9
8	27-250104	1	Capacitor, Cer. Disc, .1uf, 25V C2
9	29-046	1	Capacitor, Tant., 10uf, 20V C1
10	34-2N3643	2	Transistor, 2N3643 Q1,2
11	37-4013B-1	1	I. C., MC14013
12	52-003	1	Jumper, .60 Centers
13	79-58005	1	Connector, 10-Position
14	38-OPB2208	1	Optical Interrupter

© A Warner Communications Company

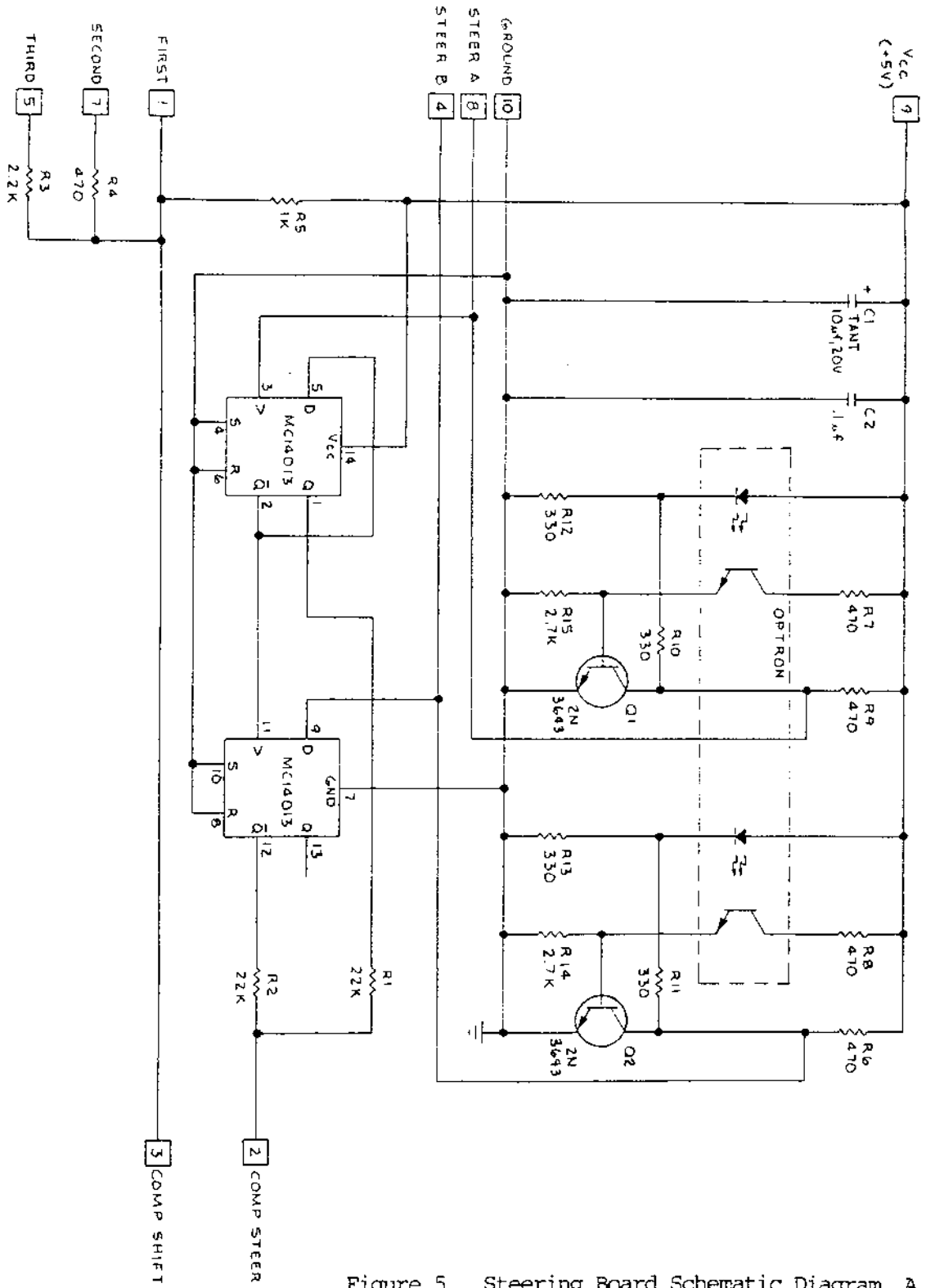


Figure 5 Steering Board Schematic Diagram A

▲ APPLY LIGHT SMEAR OF SILICONE GREASE (ITEM 12) ON AREAS INDICATED.

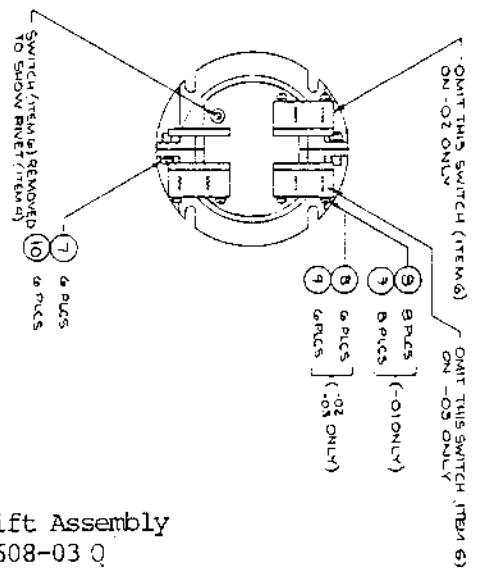
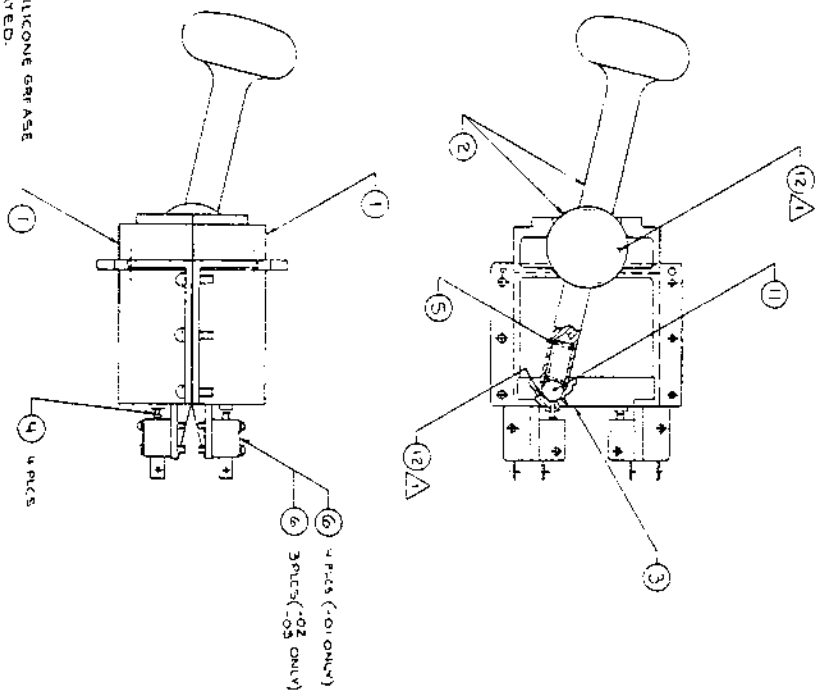



Figure 6 H-Shift Assembly
A000608-03 Q



Figure 6 H-Shift Assembly
Parts List

Item	Part Number	Qty.	Description
1	000609-01	2	Shift Housing
2	A000610	1	Handle Assy
3	000611	1	Shift Detent
4	73-7C0307SH	4	Shift Rivets
5	78-3002003	1	Spring, Assoc. Spring Co. (Co360-032-1000M)
6	65-021A	3	Switch, Cherry (E18-00M)
7	75-046	6	Washers, #6 Split Lock
8	75-044	6	Washers, #4 Split Lock
9	85-22F412	6	SCR Mach., 4-40 x 3/4 Lg. Pan HD., Self Threading Type "F"
10	85-22F608	6	SCR Mach., 6-32 x 1/2 Lg. Pan HD., Self Threading Type "F"
11	76-11375S	1	Ball Steel, 3/8 Dia. Bearing Grade
12	78-16002	A/R	Silicone Compound, Dow Corning #5
13	78-33001	1	Clamp, Hose

NOTE: Item #13, 78-33001, Hose Clamp is to be used only with old shift housing P/N 000609 Rev. "D"

 A Warner Communications Company

THE FOLLOWING ITEM NUMBERS
ARE NOT SHOWN: 34, 35, 36, 37, 41

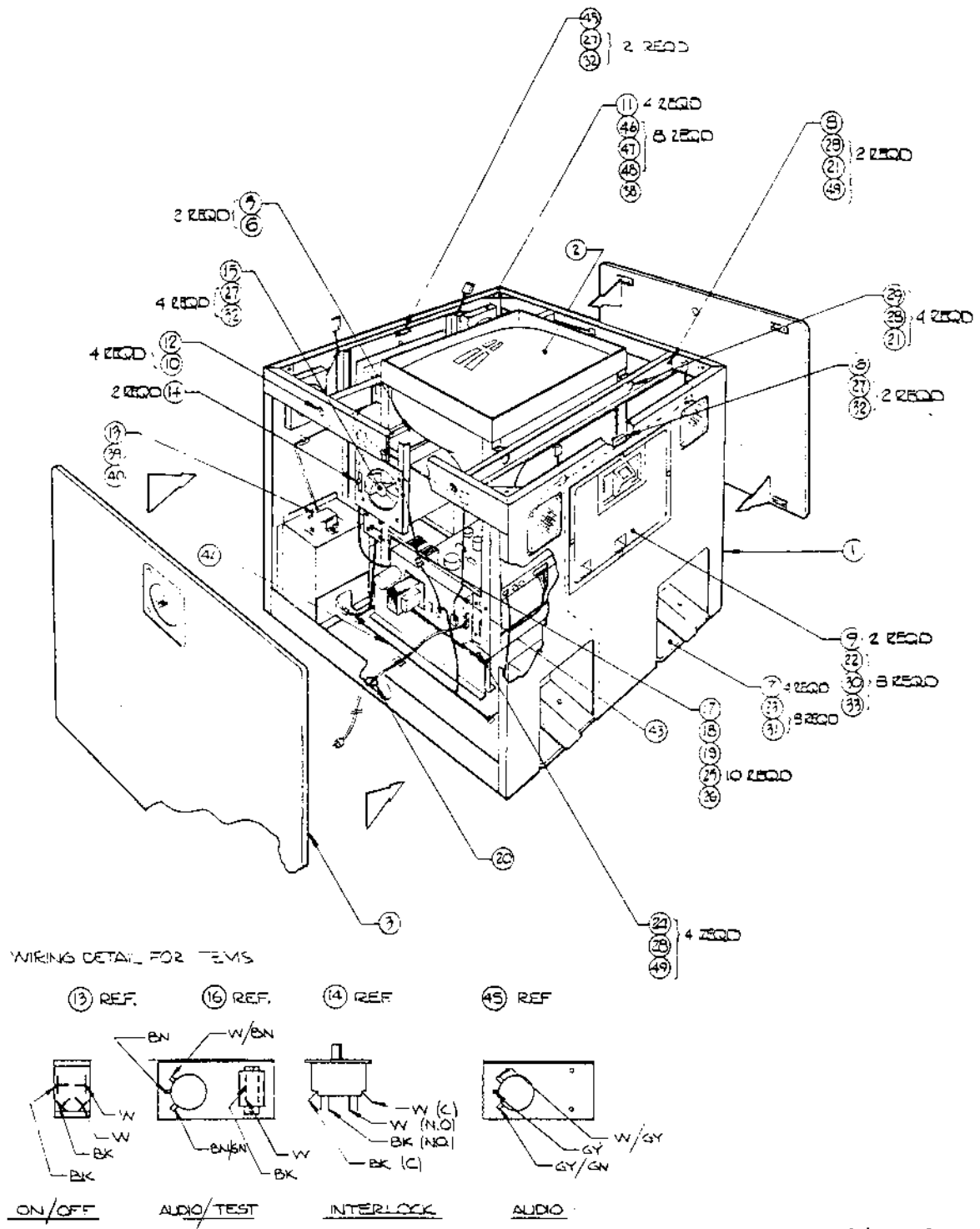


Figure 7 Cabinet Assembly
A009571-01 B



Figure 7 Cabinet Assembly
Parts List

Item	Part Number	Qty.	Description
1	A009561-01	1	Assy, Frame Weldment
2	A009694-01	1	Assy, Monitor, Power Supply See Figure 8
3	A008689-01	1	Assy, Panel, Side W/Fan Grill
4	A009572-01	1	Assy, Panel, Side
5	009549-01	2	Coin Box
6	A009548-01	2	Assy, Coin Box Lid
7	A009569-01	4	Assy, Foot Pedal See Figure 10
8	009646-01	1	Adjustable Top Support
9	A006794-01	2	Assy, Coin Door See Figure 11
10	008855-01	4	Lock Cam
11	48-004	4	Speaker 5" (Arkay)
12	71-2114	4	Lock Mech Panel Cartridge
13	61-062A	1	On/Off Toggle Switch DPST (Carling #2gK54-73)
14	68-002	2	Interlock Switch (AC Powered)
15	A005133-01	1	Fan Assembly
16	A030169-01	1	Assy, Brkt, Audio Control/Test Switch
17	A009262-06	1	Assy, RF Shield Box
18	A030051-01	1	Assy, RF Shield, PCB See Figure 12
19	A008716-01	1	Assy, P.C.B. See Figure 13
20	78-2712	1	Grommet (Heyco #SB-1375-16)
21	72-5112	6	Screw, Hex H.D., #10-24 x 3/4" Lg.
22	75-5508B	8	Bolt, Carriage, 1/4-20 x .50" Lg.
23	72-5524	8	Screw, Hex Hd. 1/4-20 x 1 1/4" Lg.
24	72-5116	4	Screw, Hex Hd., #10-24 x 1.00" Lg.
25	72-6608	10	Screw, #6 x 1/2" Lg. Sheetmetal
26	72-6810	1	Screw, #8 x 5/8 Lg. Sheetmetal
27	75-048	8	Washer, Split-Lock Cres #8
28	75-040	10	Washer, Split-Lock Cres #10
29	75-0305	4	Washer, Flat, Plain, Wide Pattern #10
30	75-015S	8	Washer, Flat, Plain 1/4"
31	75-045	8	Washer, Split Lock 1/4"
32	75-918	8	Nut Hex 8-32
33	75-990505S	8	Nut, Lock, Shallow Pattern, Nylon 1/4-20
34	ST-104	1	Self-Test & Option-Setting Label
36	A009706-XX	1	Shipping Container (Cabinet)
38	009696-01	4	Block, Spacer-Speaker
39	007103-01	1	On-Off Switch Cover
40	75-6808	2	Screw, SM., Self Tapping, #8 x .50 Lg



Figure 7 Cabinet Assembly
Parts List

Item	Part Number	Qty.	DESCRIPTION
41	030000-01	1	Harness Schematic See Figure 15
42	A030001-01	1	Main Harness
43	A030004-01	1	Power Switch Harness
45	A030169-02	1	Assy, Brkt, Audio Control
46	75-046	8	Washer, Split-Lock, #6
47	75-016S	8	Washer, Flat, #6
48	75-916S	8	Nut, Hex, #6-32
49	75-010S	6	Washer, Flat, #10

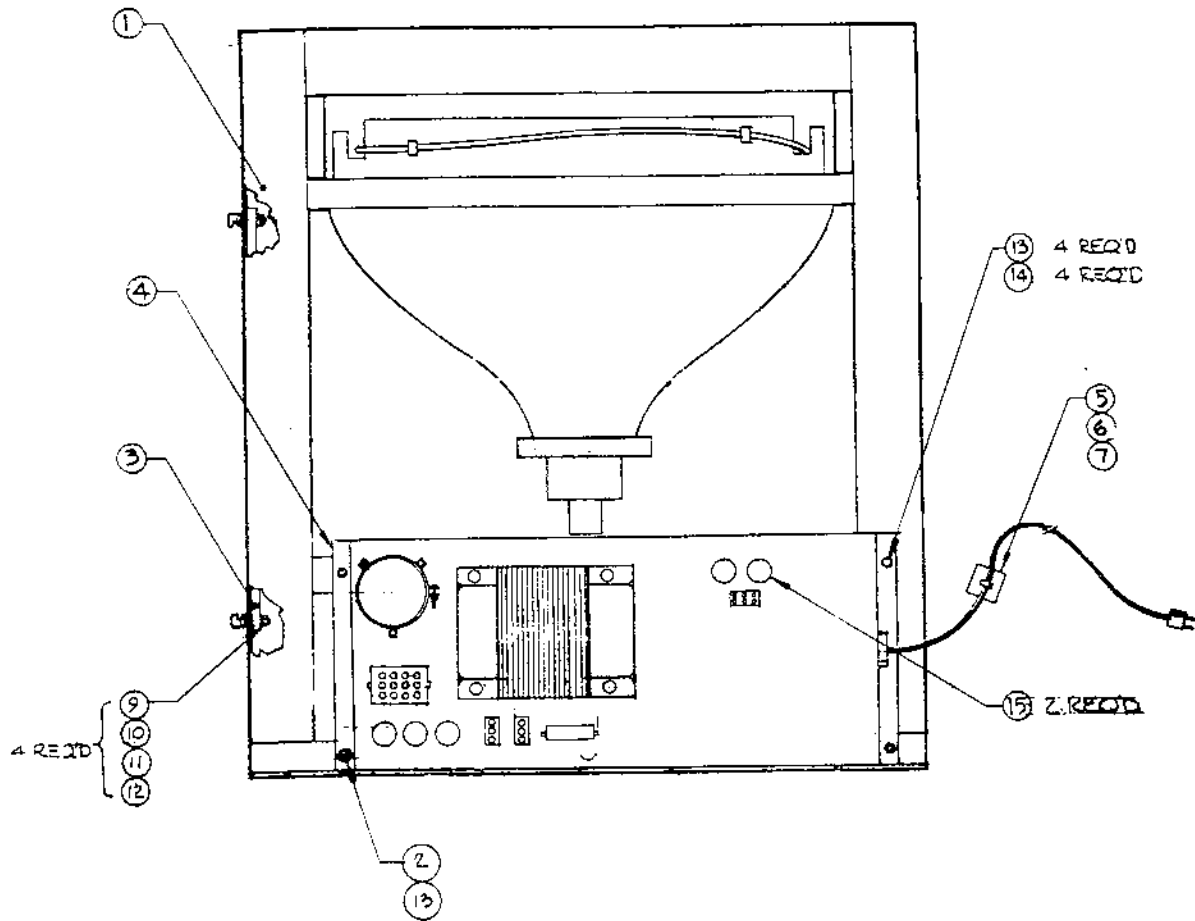



Figure 8 Monitor, Power Supply
A009694-01 B



Figure 8 Monitor, Power Supply
Parts List

Item	Part Number	Qty.	Description
1	92-031	1	Assy, Monitor 25" Color Electrohome
2	72-6808	1	Screw, S.M. #6 x 1/2"
3	009568-01	1	R.F. Box MTG. Board
4	A007197-01	1	Power Supply Assembly See Figure 9
5	A008839-01	1	Power Cord Assembly
6	78-07002	1	Adhesive Back Mount
7	78-24001	1	Tie Wrap
8	006319-02	1	Copyright Decal (1977)
9	72-1124S	4	Screw Mach., Pan Hd., #10-24 x1.50" Lg.
10	75-010S	4	Washer, Flat #10
11	75-040	4	Washer, Split-Lock #10
12	75-911S	4	Nut, Hex #10-24
13	75-048	5	Washer, Split-Lock Cres #8
14	75-918S	4	Nut, Hex 10-32
15	46-2024002	2	Fuse 4 Amp (Slow)

 A Warner Communications Company

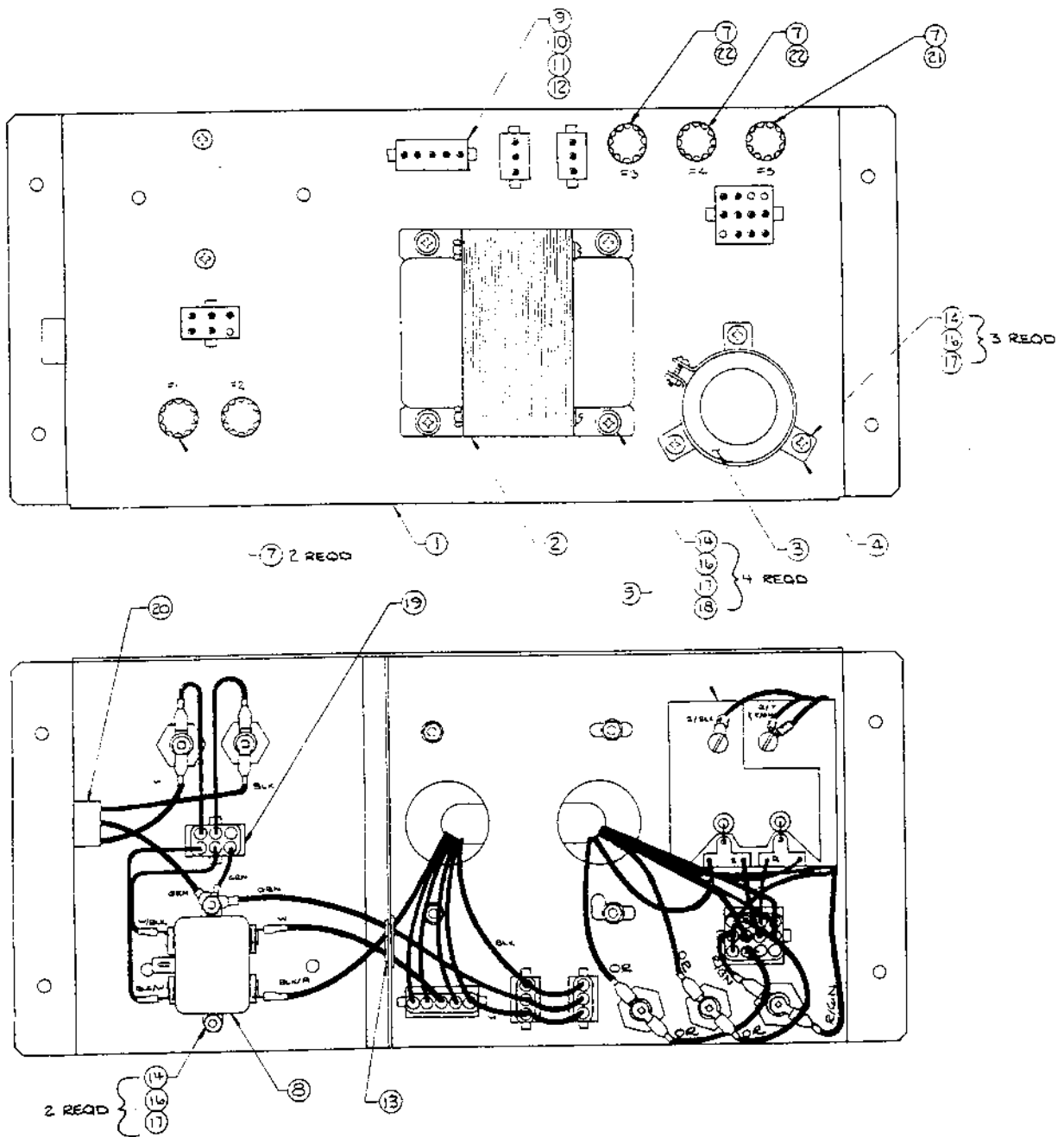


Figure 9 Power Supply Assembly
A007197-01 G



Figure 9 Power Supply Assembly
Parts List

Item	Part Number	Qty.	Description
1	A009266-01	1	Power Supply Base Weldment Assembly
2	A006886-01	1	Transformer Termination Assembly "Type B"
3	29-053	1	Cap., Sprague Electrolytic 26,000pf @ 15V
4	78-70501SC	1	Brkt., Cap. Mtg. Sprague #4586-48
5	A006555-01	1	P.C. Board Rectifier
6			
7	79-4411004	5	Fuse Holder, Panel Mounting
8	41-2003	1	Filter, Power Line, 5 AMP
9	A006958-01	A/R	Volt Sel Block 95V
10	A006958-02	"	Volt Sel Block 110V
11	A006958-03	"	Volt Sel Block 205V
12	A006958-04	"	Volt Sel Block 220V
13	78-2708	1	Grommet, Plastic
14	72-1810S	9	Screw Pan Hd., #8-32 x 5/8"Lg.
15			
16	75-048	9	Washer, Split-Lock #8
17	75-918S	9	Nut Hex #8
18	75-018S	4	Washer Flat #8
19	A007192-01	1	Power Switch Termination
20	A007444-01	1	Power In Harness
21	46-203801	1	Fuse, 8 AMP, 125V, 3 AG Fast Acting
22	46-201251	2	Fuse, 2 1/2 AMP, 125V, Slow Acting

 A Warner Communications Company

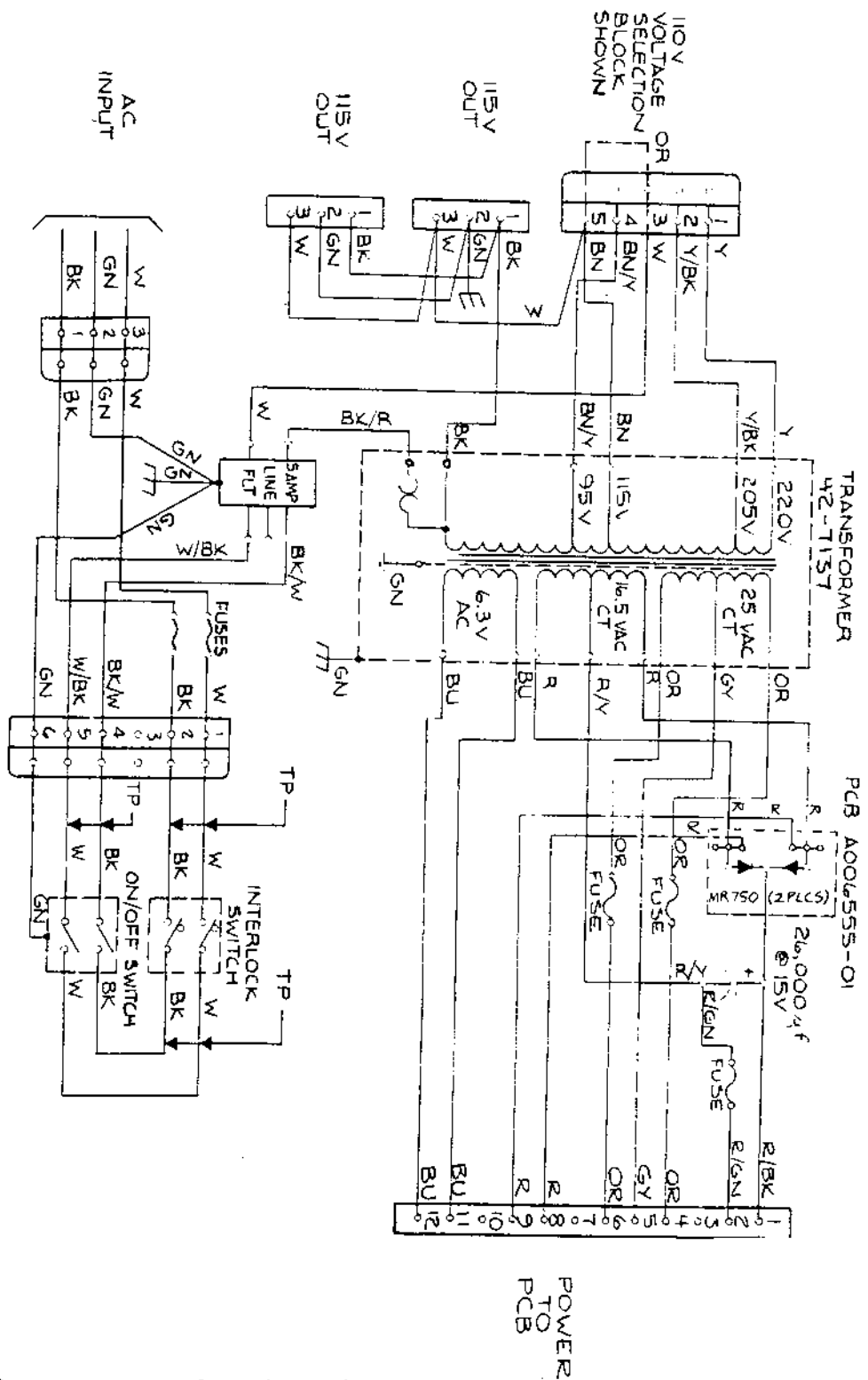


Figure 9 Power Supply Schematic C

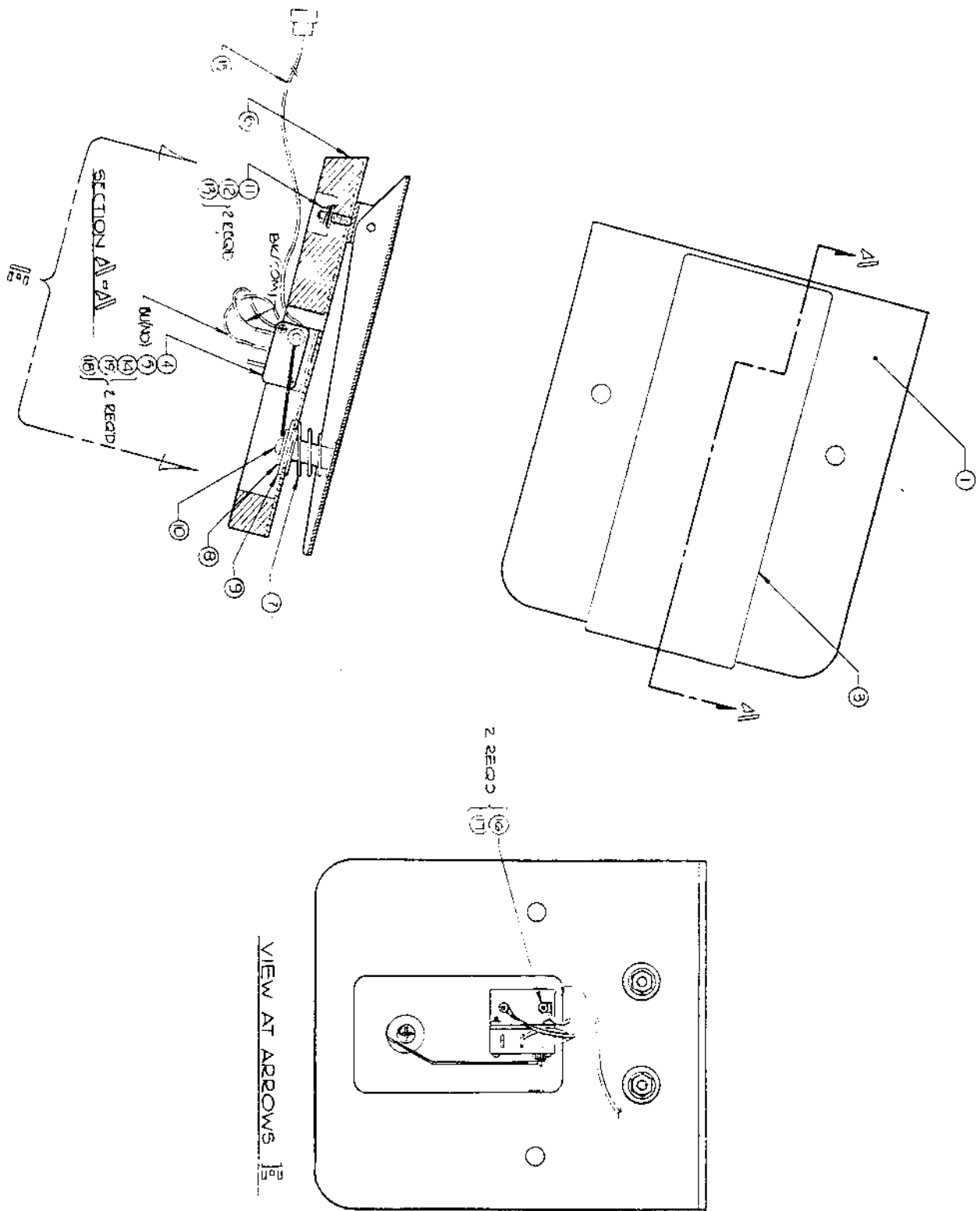


Figure 10 Foot Pedal Assembly
A009569-01 B



Figure 10 Foot Pedal Assembly
Parts List

Item	Part Number	Qty.	Description
1	009565-01	1	Mounting Plate
2	72-6610	1	Screw S.M. Pan Hd. Phil #6x5/8 Lg
3	A008857-01	1	Assy Foot Pedal
4	65-071C	1	Switch, Micro
5	002191-01	1	Brkt, Foot Pedal Switch
6	009564-01	1	Mounting Board
7	000592-01	1	Spring
8	75-035C	1	Washer, Steel 1/4 (Wide Pattern)
9	003540-01	1	Washer, Rubber 1/2 ID x 1 1/2" OD x 1/8" Thk
10	72-1508C	1	Screw, Mach Pan Hd Phil 1/4-20 x 1/2 Lg.
11	75-915C	2	Nut Hex, 1/4"-20
12	75-035C	2	Washer Flat 1/4"
13	75-045	2	Washer Split-Lock 1/4"
14	72-1412S	2	Screw, Mach., #4-40 x 3/4" Lg.
15	A030003-01	1	Assy Foot Pedal Harness
16	75-918S	2	Nut, Hex, #8-32
17	75-048	2	Washer, Split-Lock, #8
18	75-914S	2	Nut, Hex, #4-40
19	75-044	2	Washer, Split-Lock, #4


 A Warner Communications Company



Figure 11 Coin Door Assembly
Parts List

Item	Part Number	Qty.	Description
1	A007637-01	1	Front Bezel Assy. - Used only on -01 Coin Door Assy.
	A007637-02	Ref.	Front Bezel Assy. - Used only on -02 Coin Door Assy.
	A007637-03	Ref.	Front Bezel Assy. - Used only on -03 Coin Door Assy.
	A007637-04	Ref.	Front Bezel Assy. - Used only on -04 Coin Door Assy.
	A007637-05	Ref.	Front Bezel Assy. - Used only on -05 Coin Door Assy.
	A007637-06	Ref.	Front Bezel Assy. - Used only on -06 Coin Door Assy.
	A007637-07	Ref.	Front Bezel Assy. - Used only on -07 Coin Door Assy.
2	75-9165	4	Nut 6-32
3	A007639-01	1	Coin Lock-Out Assembly
4	A007640-01	2	Coin Switch Assembly
5	A002465-01	1	Coin Counter Assembly
6	004320-01	1	Coin Door Weldment
7	004341-01	2	Secondary Coin Chute
8	004344-01	1	Key Loop
9	004340-01	2	Spring-Return
10	004337-01	2	Bracket, Wire Form
11	004338-01	1	Lock-Out, Wire Form, R.H.
12	004336-01	1	Lock-Out, Wire Form, L.H.
13	004326-01	2	Button, Scavenger
14	75-046	4	Lock Washer, #6
15	006904-01	2	Spacer
16	007359-01	1	Lamp Socket
17	70-11-47	1	Lamp
18	73-3008	2	Retaining "C" Ring, Truarc #5103-25
19	75-9914001	6	Self-Threading Nut, Tinnerman #SR18U00G
20	75-026S	4	Washer #6
21	75-00516	13	Keenut, Style 842, Std., 6-32
22	008629-01	2	Spring
23	71-2118	1	Lock Assembly, Hudson Lock
24	71-1225CU	2	Coin Mechanism for American Quarter only
	71-125FB	Ref.	Coin Mechanism for Belgian 5 Francs Only
	71-121NG	Ref.	Coin Mechanism for German Mark only
	71-121KS	Ref.	Coin Mechanism for Swedish Krona Only
	71-12100YJ	Ref.	Coin Mechanism for Japanese 100 Yen Only
	71-1210PE	Ref.	Coin Mechanism for English 10 Pence Only
	71-1220CA	Ref.	Coin Mechanism for Australian 20-Cent Piece only
25	007753-01	1	Plate, Anti-Probe
26	A007638-01	1	Switch Assembly - Slam
27	A006921-01	1	Harness Assembly

A Warner Communications Company

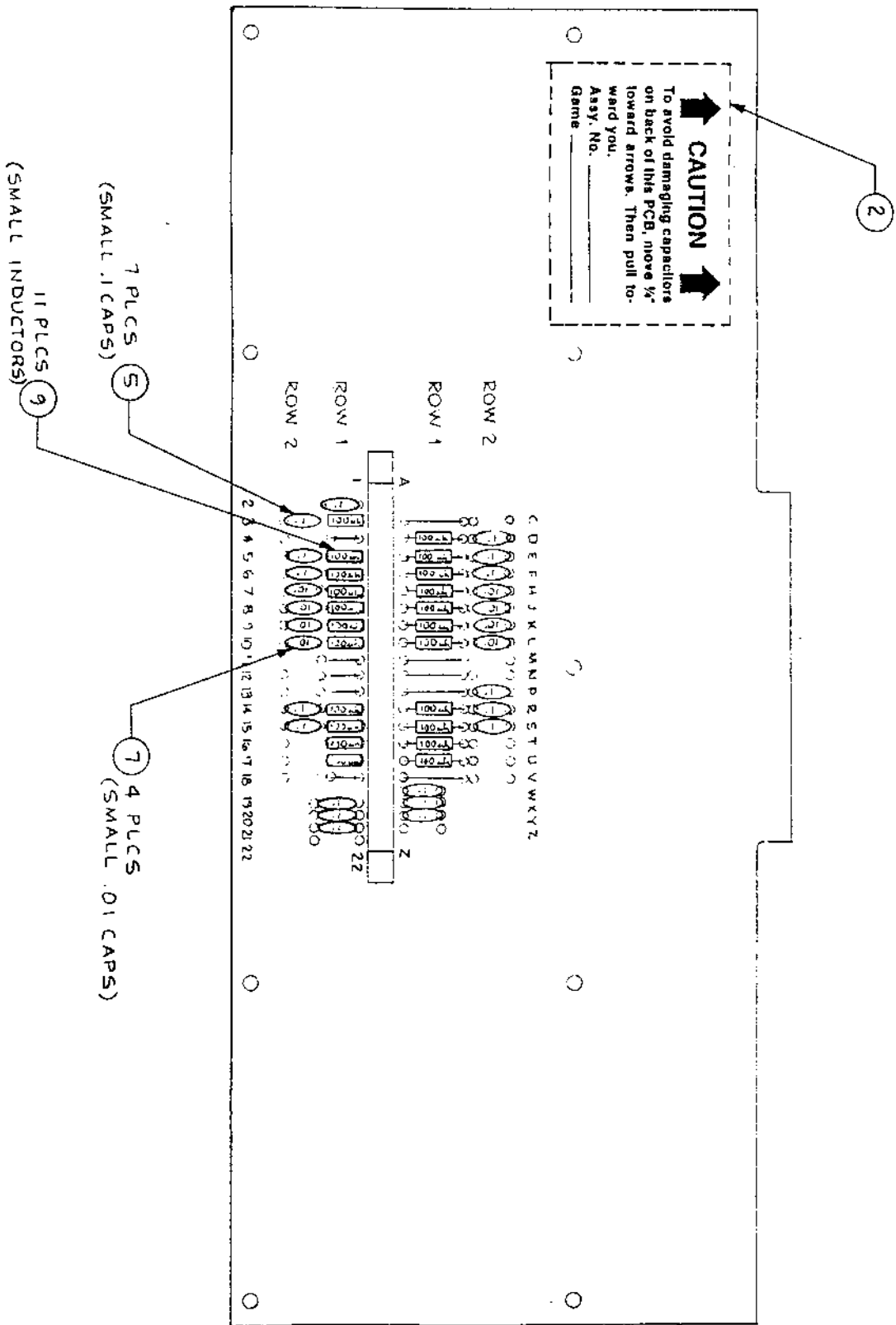



Figure 12 RF Shield PCB Assembly
A030051-01 A



Figure 12 RF Shield PCB Assembly
Parts List

Item	Part Number	Qty.	Description
1	006549-01	1	P.C. Board
2	009468-01	1	Decal, R.F. Shield Label
3	79-517222	1	Connector, 44-Pin P.C. Mount
4	27-250104	13	Cap., Cer. Disc, .1 μ f, 25V
5	27-A250104	5	Cap., Cer. Disc, .1 μ f, 25V Small (Bottom Row)
6	27-250103	4	Cap., Cer. Disc, .01 μ f, 25V
7	27-A250103	4	Cap., Cer. Disc, .01 μ f, 25V Small (Bottom Row)
8	41-3003	11	Inductor, 100 μ h, Large
9	41-3004	11	Inductor, 100 μ h, Small (Bottom Row)
10	52-003	5	Jumper, .60 Centers
11	52-004	5	Jumper, .30 Centers (Bottom Row)

 A Warner Communications Company

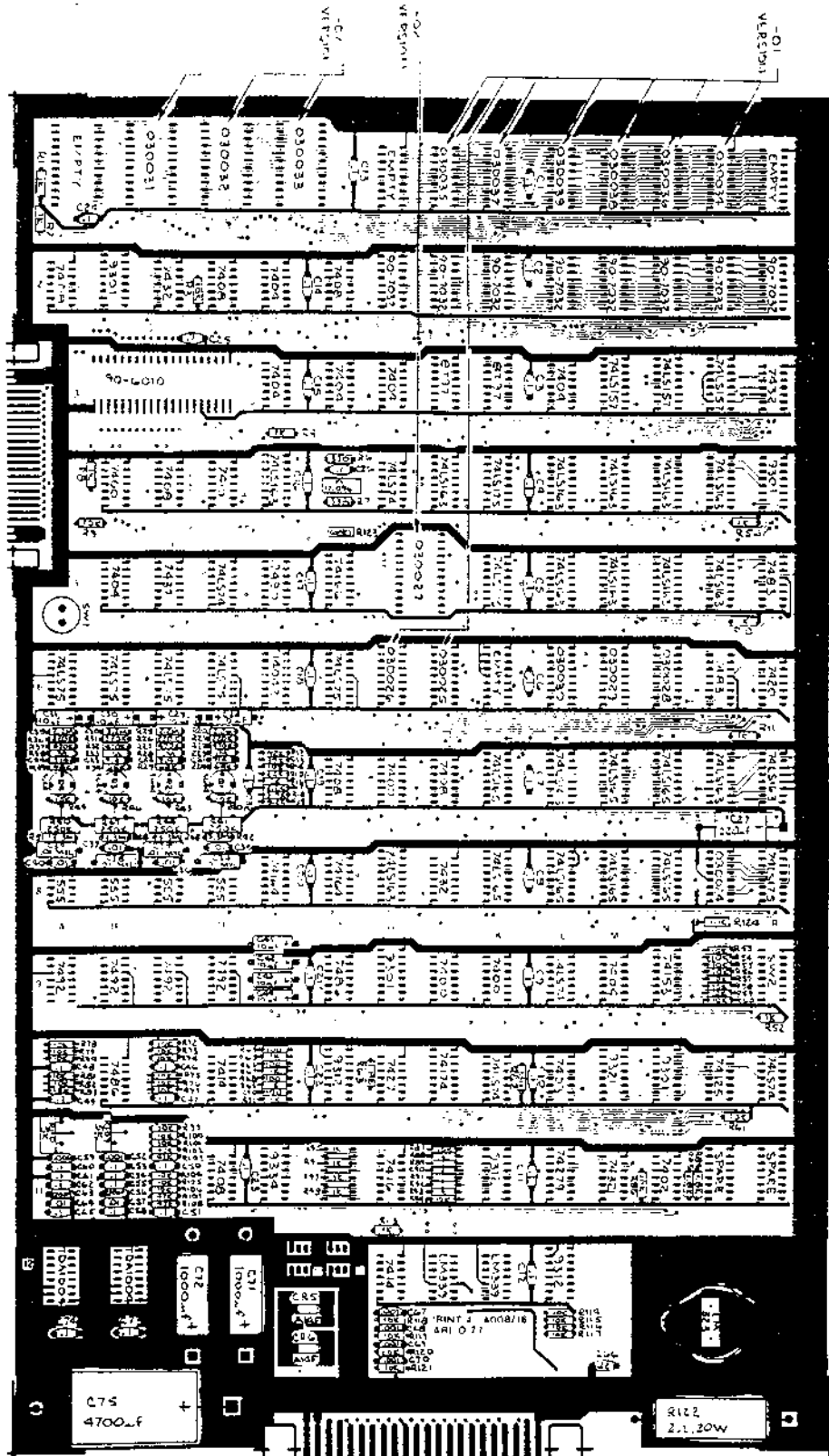


Figure 13 PCB Assembly
A008716-01 & -02 A



Figure 13 PCB Assembly
Parts List
-01 Version

Item	Part Number	Qty.	Description
1	060717-01	1	Sprinkle & P.C. board
2	10-5101	4	Res, Carbon, 5%, 1/4W, 100 Ohm
3	10-5102	18	Res, Carbon, 5%, 1/4W, 100 Ohm
4	10-5103	52	Res, Carbon, 5%, 1/4W, 100 Ohm
5	10-5105	4	Res, Carbon, 5%, 1/4W, 100 Ohm
6	10-5107	3	Res, Carbon, 5%, 1/4W, 100 Ohm
7	10-5222	1	Res, Carbon, 5%, 1/4W, 100 Ohm
8	10-5223	1	Res, Carbon, 5%, 1/4W, 100 Ohm
9	10-5224	1	Res, Carbon, 5%, 1/4W, 100 Ohm
10	10-5225	4	Res, Carbon, 5%, 1/4W, 100 Ohm
11	10-5315	3	Res, Carbon, 5%, 1/4W, 100 Ohm
12	10-5302	4	Res, Carbon, 5%, 1/4W, 100 Ohm
13	10-5303	1	Res, Carbon, 5%, 1/4W, 100 Ohm
14	10-5473	1	Res, Carbon, 5%, 1/4W, 100 Ohm
15	10-5474	4	Res, Carbon, 5%, 1/4W, 100 Ohm
16	10-5478	4	Res, Carbon, 5%, 1/4W, 100 Ohm
17	10-5482	4	Res, Carbon, 5%, 1/4W, 100 Ohm
18	10-5483	1	Res, Carbon, 5%, 1/4W, 100 Ohm
19	10-5484	1	Res, Carbon, 5%, 1/4W, 100 Ohm
20	10-5485	1	Res, Carbon, 5%, 1/4W, 100 Ohm
21	10-5486	1	Res, Carbon, 5%, 1/4W, 100 Ohm
22	10-5487	1	Res, Carbon, 5%, 1/4W, 100 Ohm
23	10-5488	1	Res, Carbon, 5%, 1/4W, 100 Ohm
24	10-5489	1	Res, Carbon, 5%, 1/4W, 100 Ohm
25	10-5490	1	Res, Carbon, 5%, 1/4W, 100 Ohm
26	10-5491	1	Res, Carbon, 5%, 1/4W, 100 Ohm
27	10-5492	1	Res, Carbon, 5%, 1/4W, 100 Ohm
28	10-5493	1	Res, Carbon, 5%, 1/4W, 100 Ohm
29	10-5494	1	Res, Carbon, 5%, 1/4W, 100 Ohm
30	10-5495	1	Res, Carbon, 5%, 1/4W, 100 Ohm
31	10-5496	1	Res, Carbon, 5%, 1/4W, 100 Ohm
32	10-5497	1	Res, Carbon, 5%, 1/4W, 100 Ohm
33	10-5498	1	Res, Carbon, 5%, 1/4W, 100 Ohm
34	10-5499	1	Res, Carbon, 5%, 1/4W, 100 Ohm
35	10-5500	1	Res, Carbon, 5%, 1/4W, 100 Ohm
36	10-5501	1	Res, Carbon, 5%, 1/4W, 100 Ohm
37	10-5502	1	Res, Carbon, 5%, 1/4W, 100 Ohm
38	10-5503	1	Res, Carbon, 5%, 1/4W, 100 Ohm
39	10-5504	1	Res, Carbon, 5%, 1/4W, 100 Ohm
40	10-5505	1	Res, Carbon, 5%, 1/4W, 100 Ohm
41	10-5506	1	Res, Carbon, 5%, 1/4W, 100 Ohm
42	10-5507	1	Res, Carbon, 5%, 1/4W, 100 Ohm
43	10-5508	1	Res, Carbon, 5%, 1/4W, 100 Ohm
44	10-5509	1	Res, Carbon, 5%, 1/4W, 100 Ohm
45	10-5510	1	Res, Carbon, 5%, 1/4W, 100 Ohm
46	10-5511	1	Res, Carbon, 5%, 1/4W, 100 Ohm
47	10-5512	1	Res, Carbon, 5%, 1/4W, 100 Ohm
48	10-5513	1	Res, Carbon, 5%, 1/4W, 100 Ohm
49	10-5514	1	Res, Carbon, 5%, 1/4W, 100 Ohm
50	10-5515	1	Res, Carbon, 5%, 1/4W, 100 Ohm
51	10-5516	1	Res, Carbon, 5%, 1/4W, 100 Ohm
52	10-5517	1	Res, Carbon, 5%, 1/4W, 100 Ohm
53	10-5518	1	Res, Carbon, 5%, 1/4W, 100 Ohm
54	10-5519	1	Res, Carbon, 5%, 1/4W, 100 Ohm
55	10-5520	1	Res, Carbon, 5%, 1/4W, 100 Ohm
56	10-5521	1	Res, Carbon, 5%, 1/4W, 100 Ohm
57	10-5522	1	Res, Carbon, 5%, 1/4W, 100 Ohm
58	10-5523	1	Res, Carbon, 5%, 1/4W, 100 Ohm
59	10-5524	1	Res, Carbon, 5%, 1/4W, 100 Ohm
60	10-5525	1	Res, Carbon, 5%, 1/4W, 100 Ohm
61	10-5526	1	Res, Carbon, 5%, 1/4W, 100 Ohm
62	10-5527	1	Res, Carbon, 5%, 1/4W, 100 Ohm
63	10-5528	1	Res, Carbon, 5%, 1/4W, 100 Ohm
64	10-5529	1	Res, Carbon, 5%, 1/4W, 100 Ohm
65	10-5530	1	Res, Carbon, 5%, 1/4W, 100 Ohm
66	10-5531	1	Res, Carbon, 5%, 1/4W, 100 Ohm
67	10-5532	1	Res, Carbon, 5%, 1/4W, 100 Ohm
68	10-5533	1	Res, Carbon, 5%, 1/4W, 100 Ohm
69	10-5534	1	Res, Carbon, 5%, 1/4W, 100 Ohm
70	10-5535	1	Res, Carbon, 5%, 1/4W, 100 Ohm
71	10-5536	1	Res, Carbon, 5%, 1/4W, 100 Ohm
72	10-5537	1	Res, Carbon, 5%, 1/4W, 100 Ohm
73	10-5538	1	Res, Carbon, 5%, 1/4W, 100 Ohm
74	10-5539	1	Res, Carbon, 5%, 1/4W, 100 Ohm
75	10-5540	1	Res, Carbon, 5%, 1/4W, 100 Ohm
76	10-5541	1	Res, Carbon, 5%, 1/4W, 100 Ohm
77	10-5542	1	Res, Carbon, 5%, 1/4W, 100 Ohm
78	10-5543	1	Res, Carbon, 5%, 1/4W, 100 Ohm

Item	Part Number	Qty.	Description
32	21-250103	6	CMP Ceramic Disc, 25V, .01uF
33	21-250102	6	CMP Ceramic Disc, 25V, .01uF
34	21-250104	3	CMP Ceramic Disc, 25V, .01uF
35	28-101221	2	Diode, 1N914
36		2	Diode, 1N914
37		2	Diode, 1N914
38		2	Diode, 1N914
39		2	Diode, 1N914
40		2	Diode, 1N914
41		2	Diode, 1N914
42		2	Diode, 1N914
43		2	Diode, 1N914
44		2	Diode, 1N914
45		2	Diode, 1N914
46		2	Diode, 1N914
47		2	Diode, 1N914
48		2	Diode, 1N914
49		2	Diode, 1N914
50		2	Diode, 1N914
51		2	Diode, 1N914
52		2	Diode, 1N914
53		2	Diode, 1N914
54		2	Diode, 1N914
55		2	Diode, 1N914
56		2	Diode, 1N914
57		2	Diode, 1N914
58		2	Diode, 1N914
59		2	Diode, 1N914
60		2	Diode, 1N914
61		2	Diode, 1N914
62		2	Diode, 1N914
63		2	Diode, 1N914
64		2	Diode, 1N914
65		2	Diode, 1N914
66		2	Diode, 1N914
67		2	Diode, 1N914
68		2	Diode, 1N914
69		2	Diode, 1N914
70		2	Diode, 1N914
71		2	Diode, 1N914
72		2	Diode, 1N914
73		2	Diode, 1N914
74		2	Diode, 1N914
75		2	Diode, 1N914
76		2	Diode, 1N914
77		2	Diode, 1N914
78		2	Diode, 1N914

Note: See Figure 14 for PCB Schematic diagrams.



Figure 13 PCB Assembly
Parts List
-01 Version

Item	Part Number	Qty.	DESCRIPTION
79	33-9301	4	Integrated Circuit 9301
80	17-9312	3	" " 9312
81	37-9321	1	" " 9321
82	37-9334	1	" " 9334
83	37-1M330	2	" " LM330
84	37-TDA1004	2	Audio AMP TDA1004
85	37-1M321	1	Regulator LM321
86			
87			
88	62-001	1	Switch, SPST, Momentary
89	66-1B07T	1	Switch, SPST, X R DIP
90			
91			
92			
93	72-1608C	2	Screws, Pan Hd, Phill., 5-32 x 1/4 Crs.
94	75-016	2	Washer, Flat #6
95	75-056	2	Washer, Lock, Int. Star, #6
96	75-016*	2	Nut, Hex, #6-32, Crs.
97			
98			
99			
100	79-06001	1	HeatSink (LM323)
101	79-06022	2	HeatSink (TDA1004)
102	79-17016	A/R	Cement, (TDA1004 HeatSink)
103	79-16005	1	SilPad (LM323)
104			
105			
106			
107	79-42040	1	Socket, 40 Pin, MED Insertion
108			
109			
110			
111	90-102	1	Crystal 12.095 MHz
112			
113			
114			
115	90-6010	1	Integrated Circuit MC66502
116	90-7032	R	Bom, 2102P
117			
118			
119			
120	030024-01	1	Sprint 4 Sync Prom
121	030029-01	1	" " CRB C1C: 1
122	030029-01	1	" " " " 2
123	030030-01	1	" " " " 1
124			
125			
126			
127	010025-01	1	Sprint 4 Graphics PIC Prom 1
128	030026-01	1	" " " " 2
129			
130			
131			
132			

Item	Part Number	Qty.	DESCRIPTION
133	030014-01	1	Sprint 4 Program From 2800 LSB
134	030035-01	1	" " " " 2800 LSB
135	030016-01	1	" " " " 3000 LSB
136	030017-01	1	" " " " 3000 LSB
137	030038-01	1	" " " " 3800 LSB
138	030039-01	1	" " " " 3900 LSB

Note: See Figure 14 for PCB Schematic diagrams.

A Warner Communications Company



Figure 13 PCB Assembly
Parts List
-02 Version

Item	Part Number	Qty.	Description
1	00817-01	1	Spec'd & P.C.C. Board
2	10-5101	4	Res, Carbon, 5%, 1W, 100 Ohm
3	10-5102	16	1K
4	10-5103	52	10K
5	10-5105	4	1M
6	10-5182	3	1.8K
7	10-5322	1	2.2K
8	10-5223	1	22K
9	10-5234	4	220K
10	10-5225	4	2.2M
11	10-5331	3	330
12	10-5335	4	3.3K
13	10-5302	1	1.9K
14	10-5393	1	30K
15	10-5473	4	47K
16	10-5034	4	470K
17	10-5603	4	60K
18	10-5822	4	8.2K
19	10-5823	1	82K
20	19-311502	2	Tempol
21	19-315233	1	Tempol
22	19-8000270	4	Res, Micropanel 200, 2
23	10-5681	1	Res, Carbon, 5%, 1/4W, 500 Ohm
24		1	R122
25	71-101103	4	Cap Mylar, 100V, .01uf
26	24-250106	8	Electrolytic 25V, 10
27	24-250227	1	22uf
28	24-250108	2	1000uf
29	24-250418	1	4700uf
30	27-250104	43	Ceramic Disc, 75V, .1uf
31			C1-26, 32, 46-51 53-55, 58, 60-62 65, 71, 74

Item	Part Number	Qty.	DESCRIPTION
32	23-250103	6	Cap Ceramic Disc, 25V, .01uf
33	27-250102	6	" " " " " " " "
34	23-250224	1	" " " " " " " "
35	28-101221	7	Disc'd Misc, 100V, 220pf
36			C56-63
37			
38	31-31AF	2	Diode, 1A2E
39	31-10014	4	Diode, 1N914
40			C85-6
41			C81-4
42			
43			
44	31-203044	4	Transistor, 2N364
45			Q1-Q4
46			
47	37-7400	4	Integrated Circuit, 7400
48	37-7402	1	" " " " " " " "
49	37-7403	1	" " " " " " " "
50	37-7404	1	" " " " " " " "
51	37-7404	7	" " " " " " " "
52	37-7408	7	7408
53	37-7410	1	7410
54	37-7414	2	7414
55	37-7416	1	7416
56	37-7420	1	7420
57	37-7427	1	7427
58	37-7432	4	7432
59	37-7437	1	7437
60	37-74534	5	74534
61	37-74575	5	74575
62	37-7483	2	7483
63	37-7486	2	7486
64	37-7480	1	7480
65	37-7492	4	7492
66	37-7425	1	7425
67	37-74153	1	74153
68	37-745157	1	745157
69	37-745153	13	745153
70	37-74164	2	74164
71	37-741515	8	741515
72	37-74156	1	74156
73	37-74174	1	74174
74	37-741515	3	741515
75	37-74219	1	74219
76	37-7455	4	7455
77	37-14003	1	14003
78	37-8797	2	8797

ATARI Computer-Aided Design

Note: See Figure 14 for PCB Schematic diagrams.



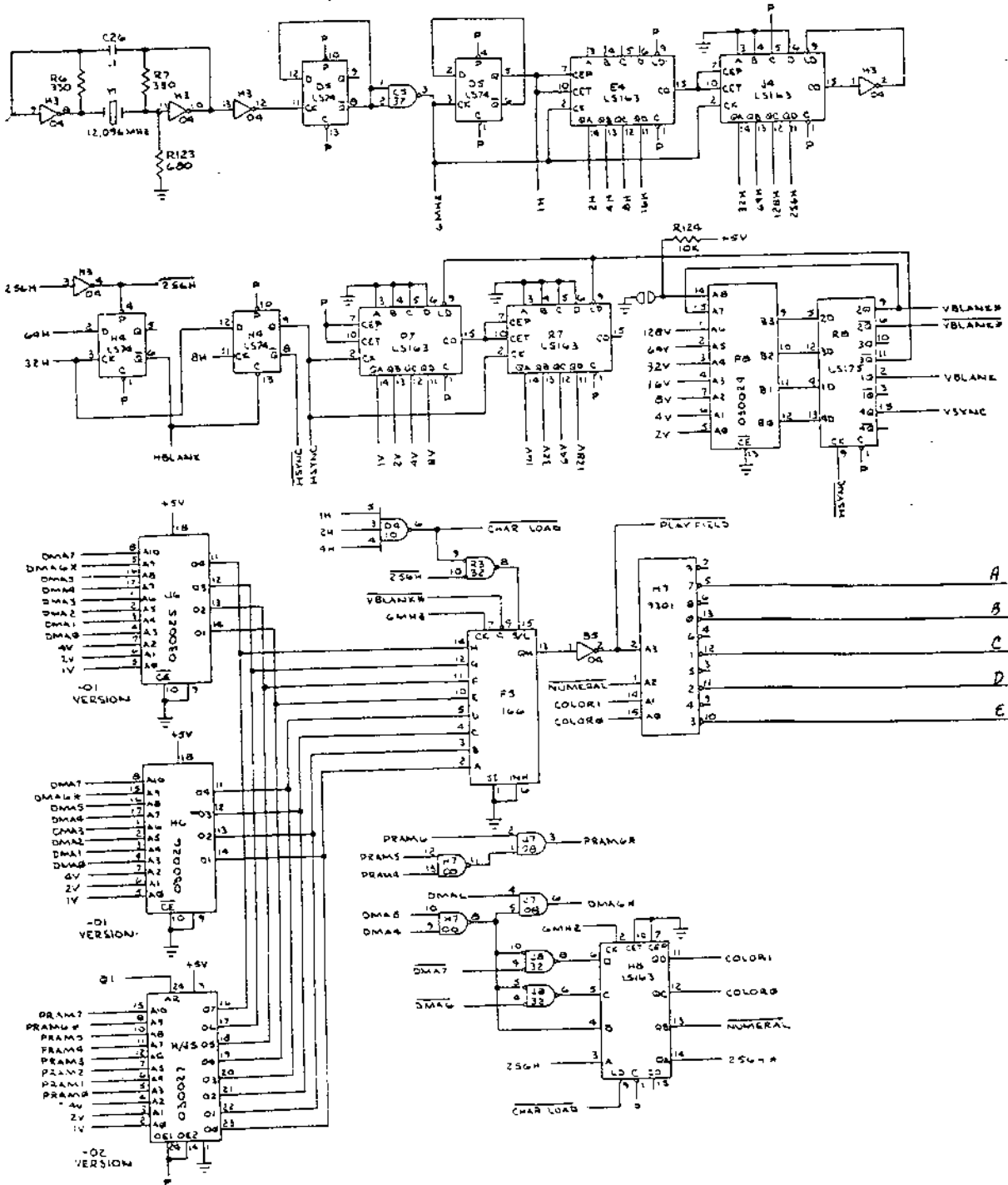
Figure 13 PCB Assembly
Parts List
-02 Version

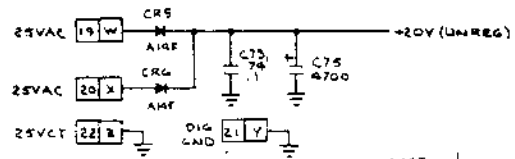
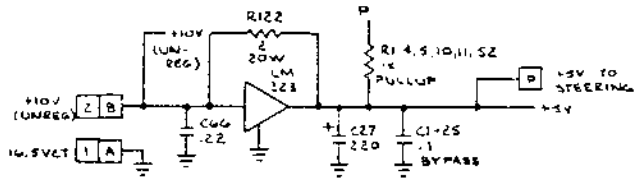
Item	Part Number	Qty.	DESCRIPTION
79	37-9301	4	Integrated Circuit 9301
80	37-9312	3	" " 9312
81	37-9321	1	" " 9321
82	37-9334	1	" " 9334
83	37-1M339	2	" " 1M339
84	37-TDA1004	2	Audio AMP TDA1004
85	37-1M133	1	Regulator 1M333
86			
87			
88	62-001	1	Switch, SPST, Momentary
89	66-118P1P	1	Switch SPST, X R 11P
90			
91			
92			
93			
94	72-1606C	2	Screws, Pan Hd, Phil., 5-32 x 1/2 In Cree
95	75-016	2	Washer, Flat Hg
96	75-056	2	Washer, Lock, Int Star, 5/16
97	75-016C	2	Nut, Hex, 5/16-18, Cree
98			
99			
100			
101	79-06601	1	Heatsink (1M323)
102	79-06622	2	Heatsink (TDA1004)
103	79-13016	A/R	Cement, (TDA1004 Heatsink)
104	79-16005	1	Slipad (1M323)
105			
106			
107			
108	79-42040	1	Socket, 40 Pin, HD Insertion
109			
110			
111			
112	90-102	1	Crystal 12.096 MHz
113			
114			
115			
116	90-6010	1	Integrated Circuit MC6502
117	90-7012	1	Ram, 2102F
118			
119			
120			
121	030024-01	1	Sprint 4 Sync Prom
122	030028-01	1	" " CAR PIC 1
123	030029-01	1	" " " " 2
124	030030-01	1	" " " " 1
125			
126			
127			
128	030025-01	1	Sprint 4 Graphics PIC Prom 1
129	030026-01	1	" " " " 2
130			
131			
132			

© Atari Computer Games Company

Note: See figure 14 for PCB Schematic diagrams.

Item	Part Number	Qty.	Description
133	030031-01	1	Sprint 4 Program Rom 2800
134	030032-01	1	" " " " 3000
135	030033-01	1	" " " " 3800





LAST DES. USED	NOT USED
C75	C45
CR5	
CR4	
R124	
Y1	

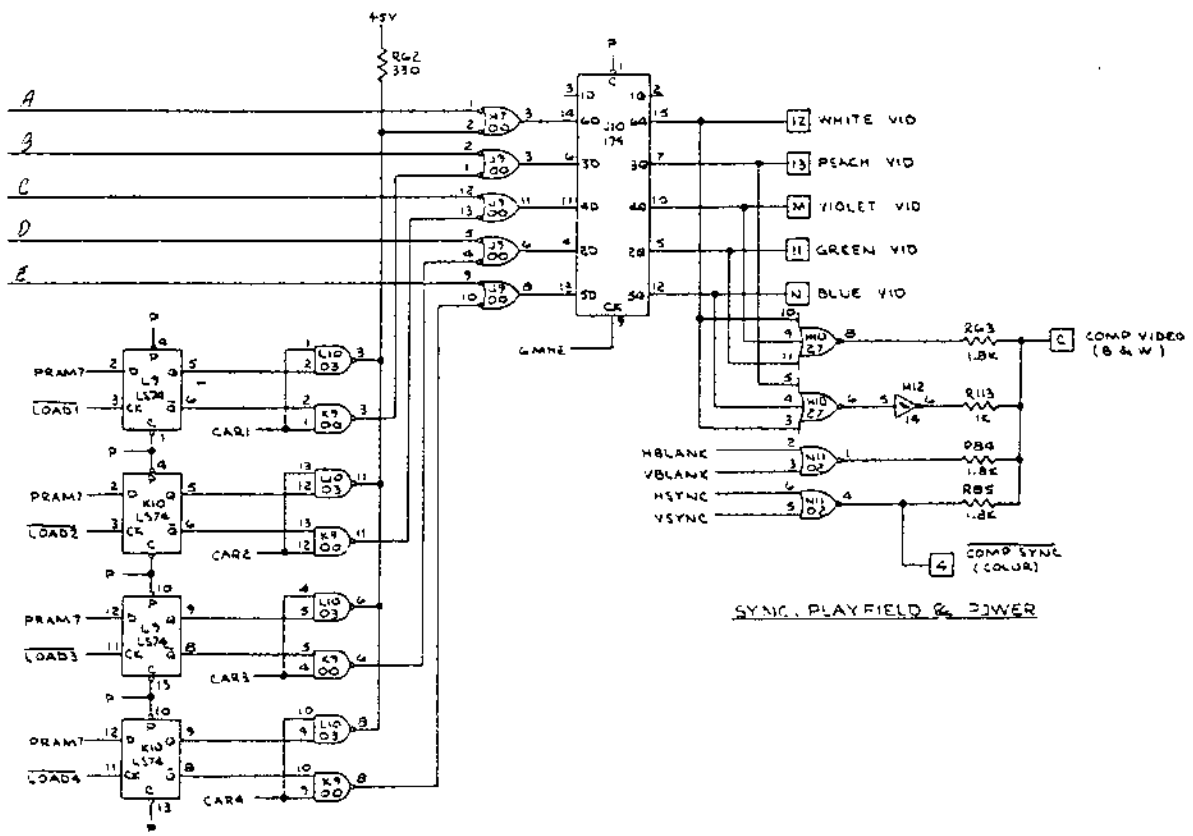
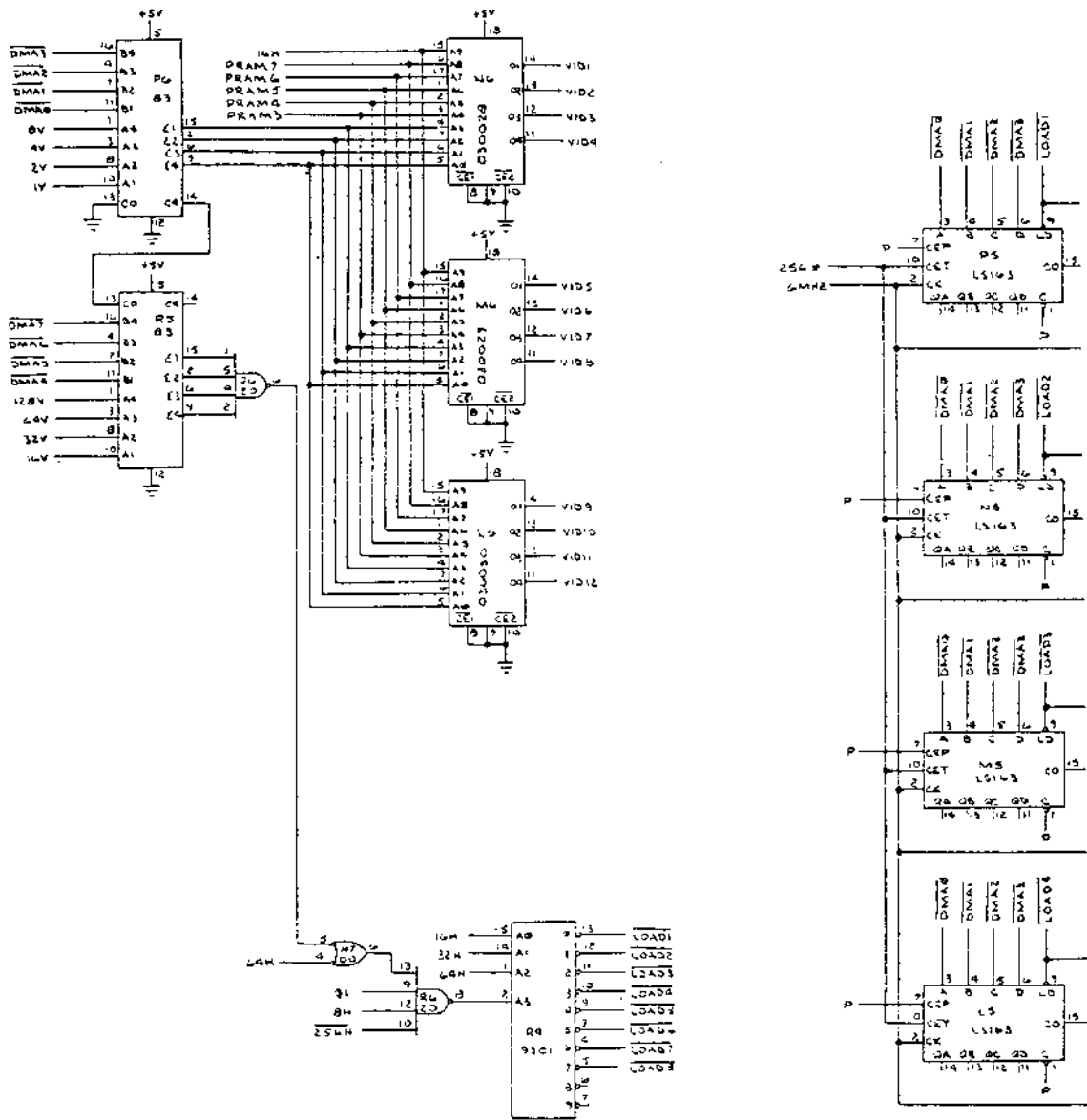


Figure 14 PCB Schematic Diagram
Sheet 1 of 6 A



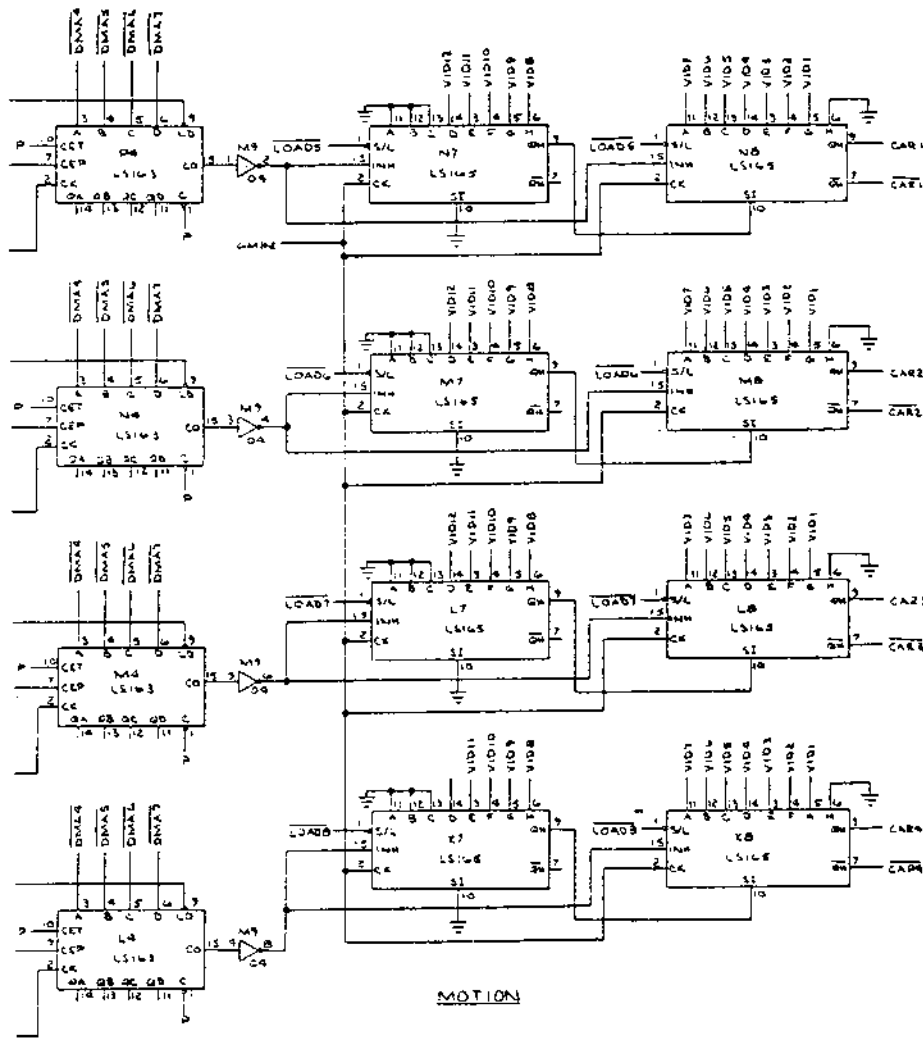
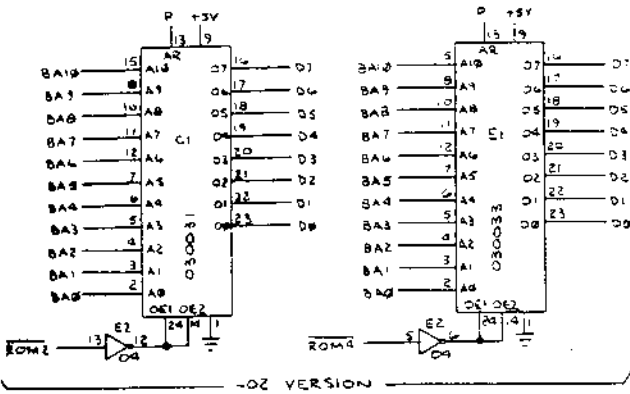
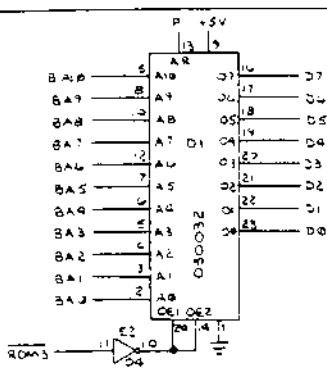
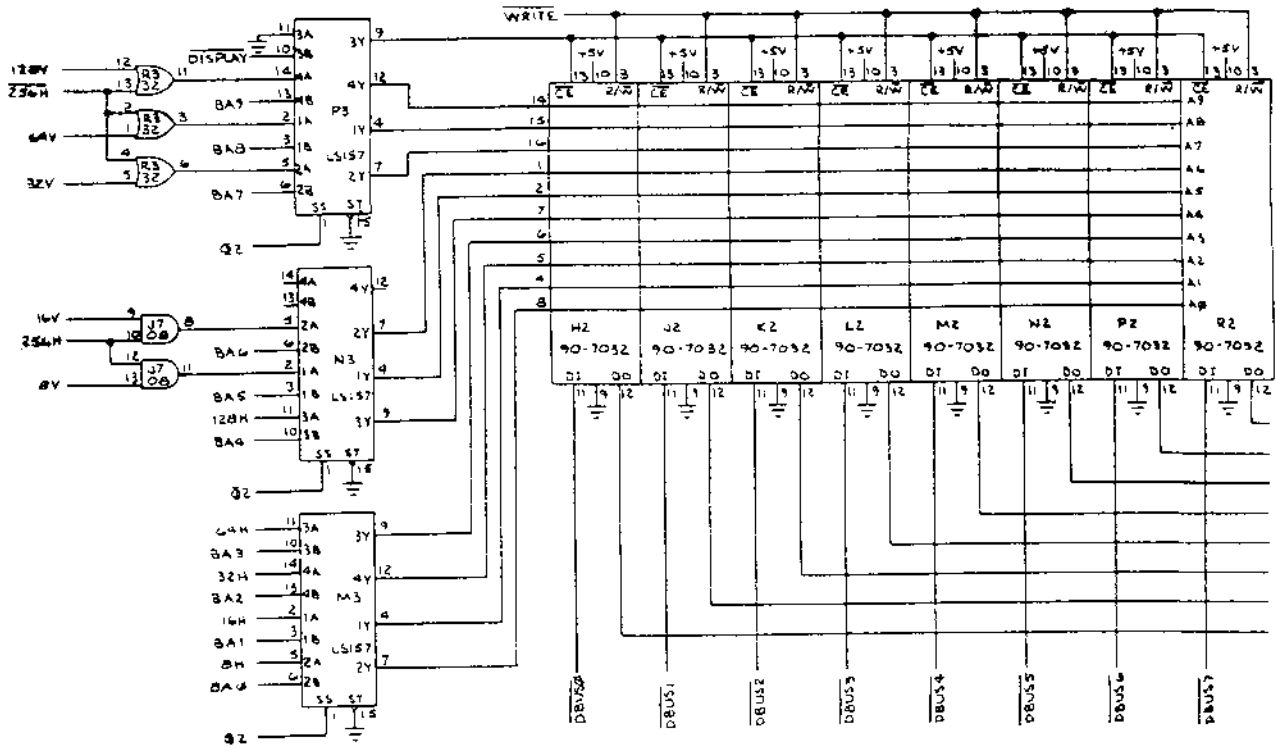


Figure 14 PCB Schematic Diagram
Sheet 2 of 6 A



-02 VERSION

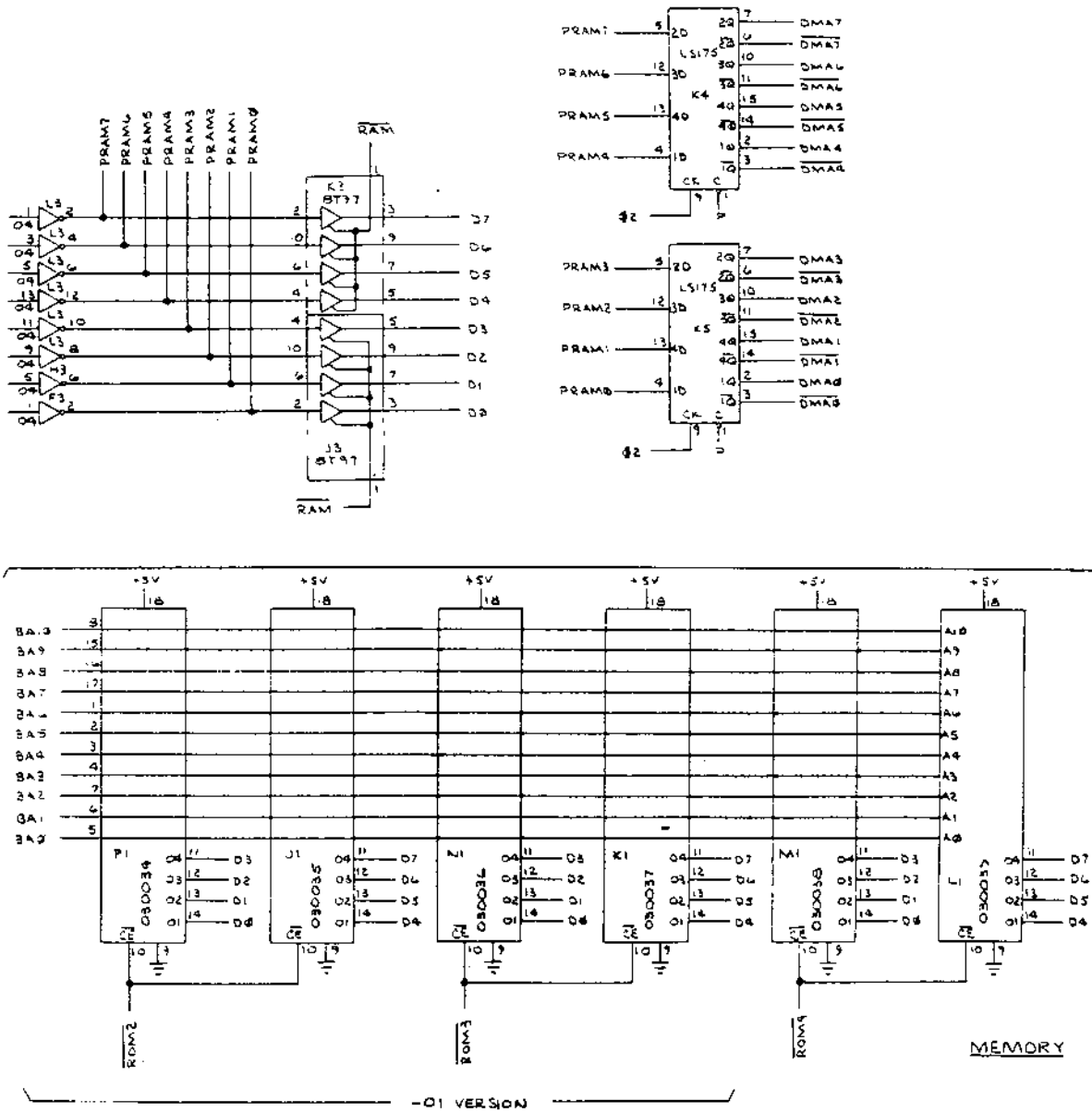
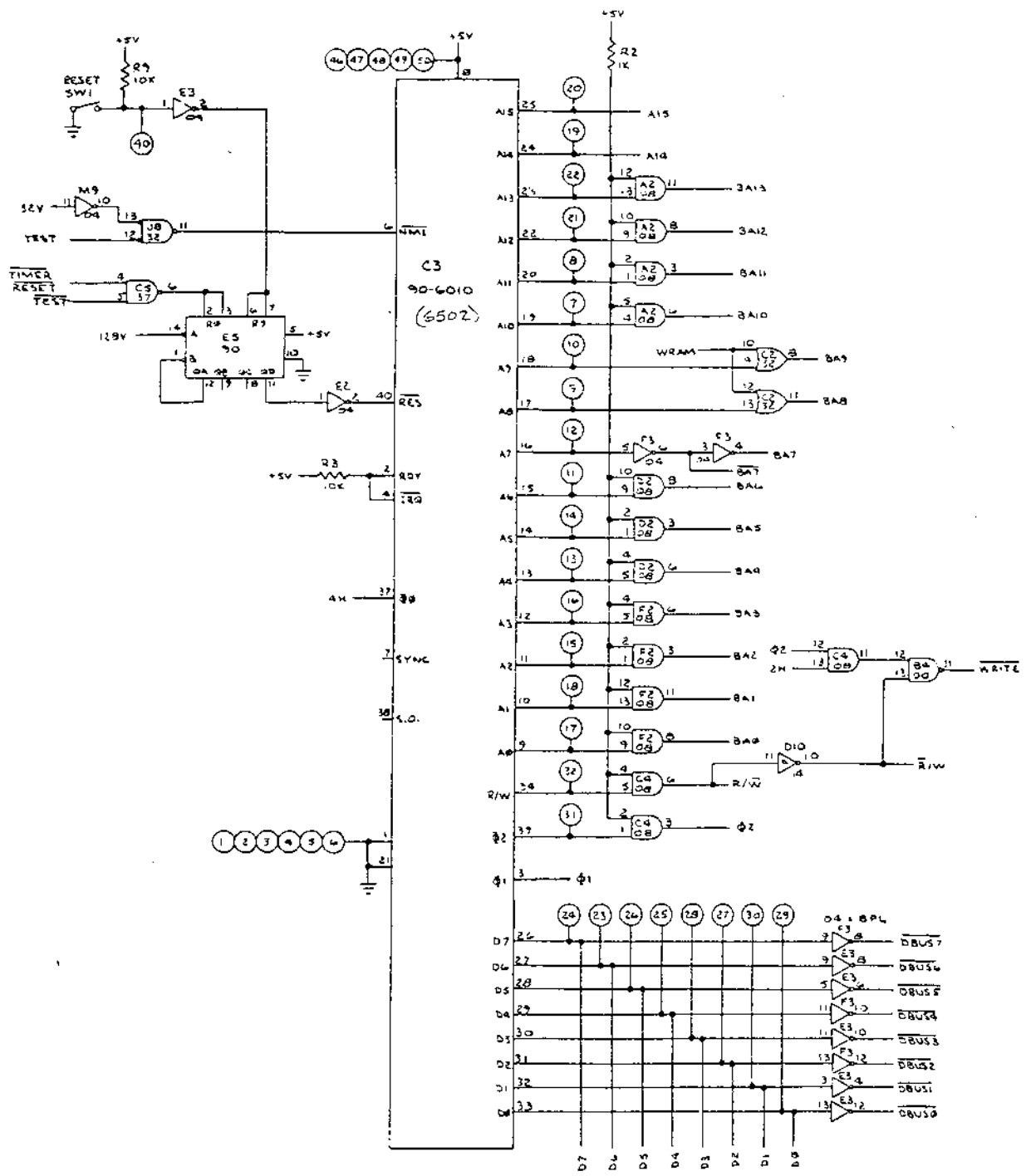


Figure 14 PCB Schematic Diagram
Sheet 3 of 6 A



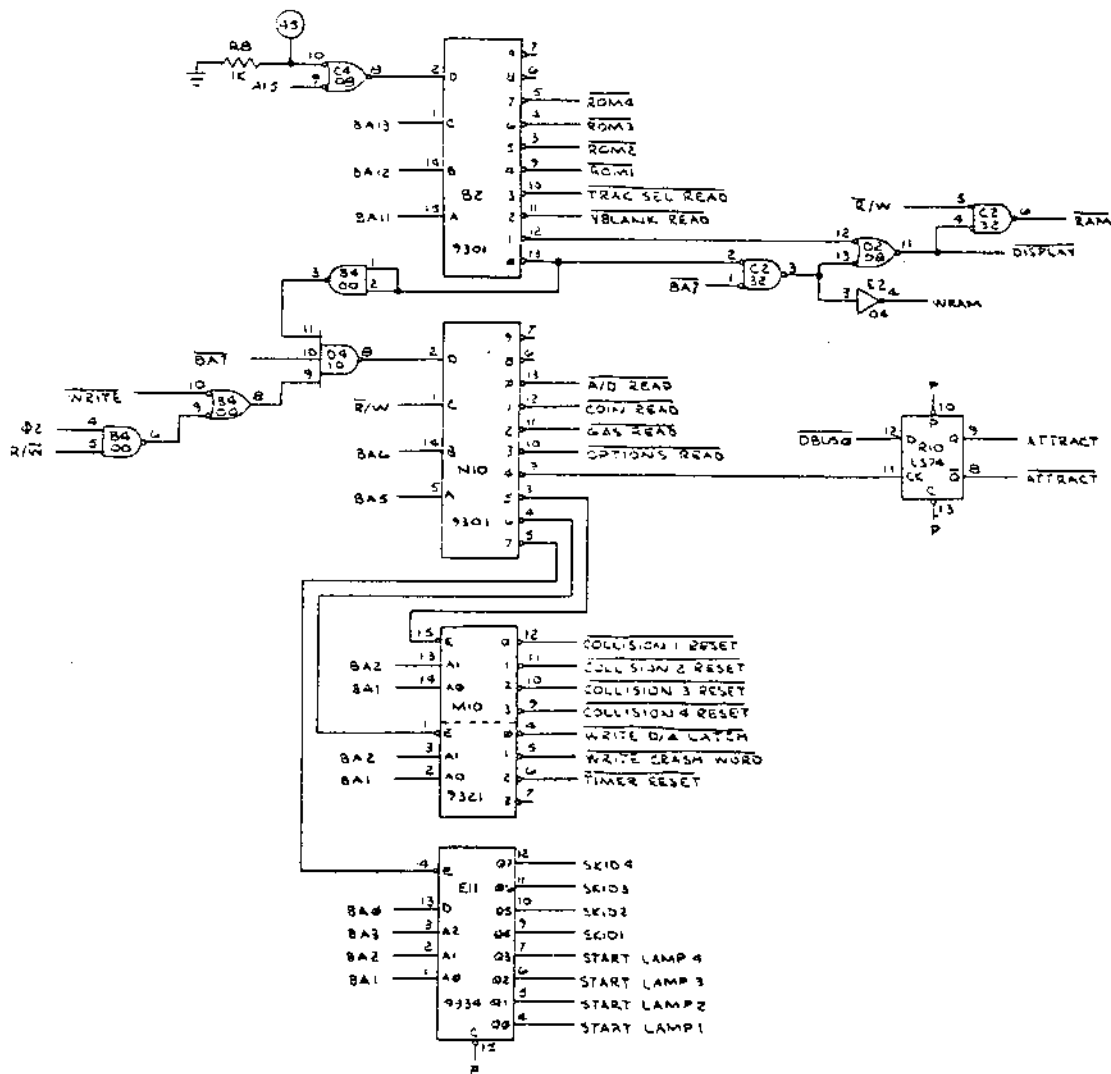
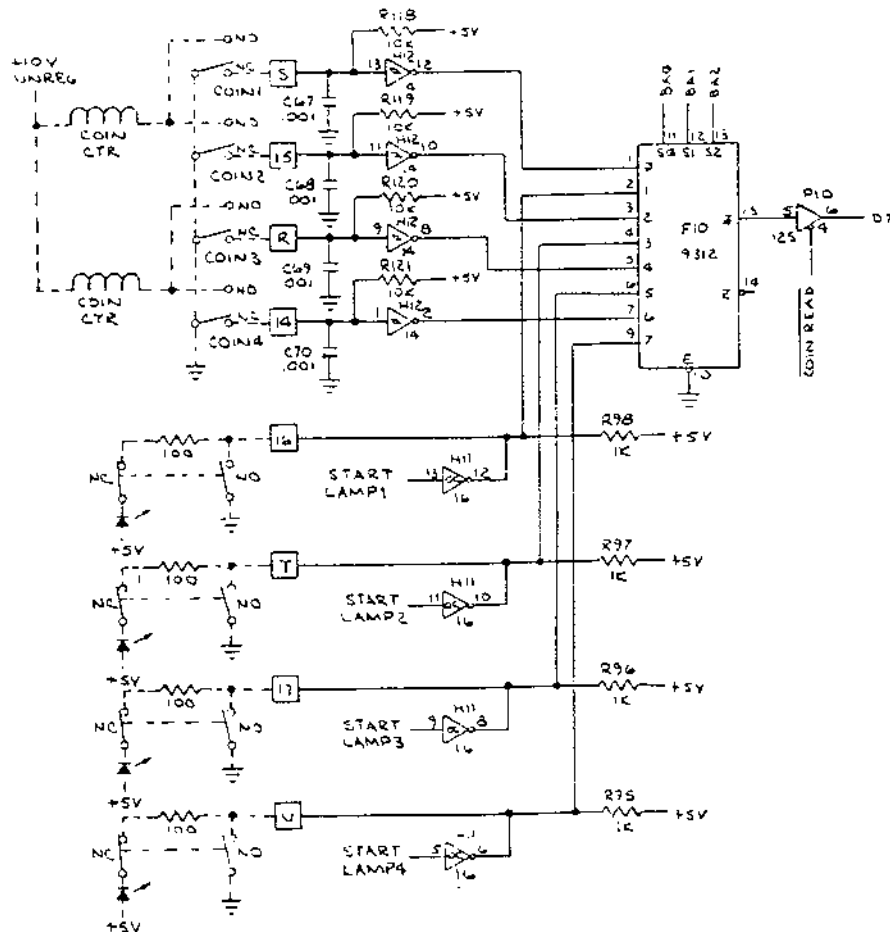
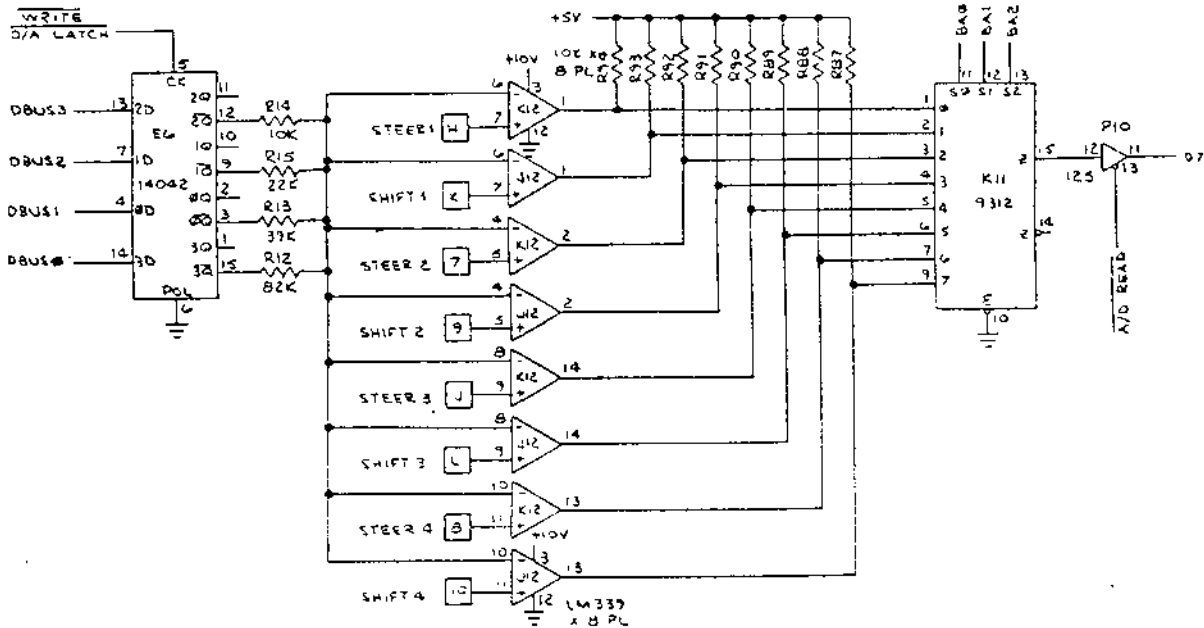


Figure 14 PCB Schematic Diagram
Sheet 4 of 6 A



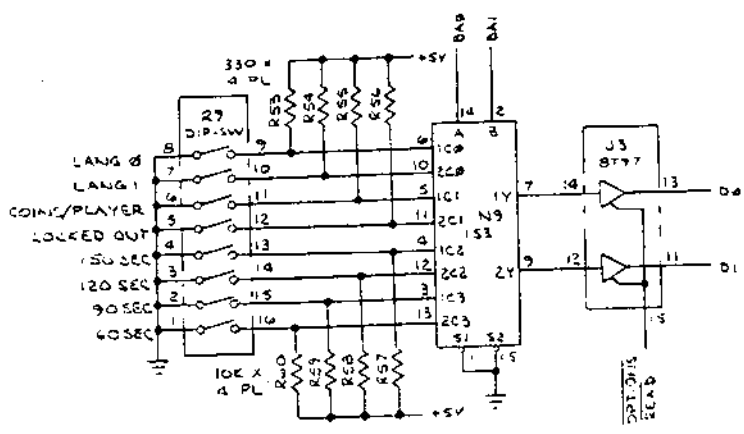
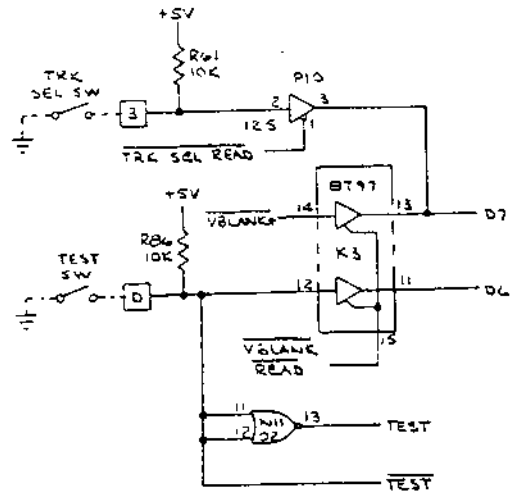
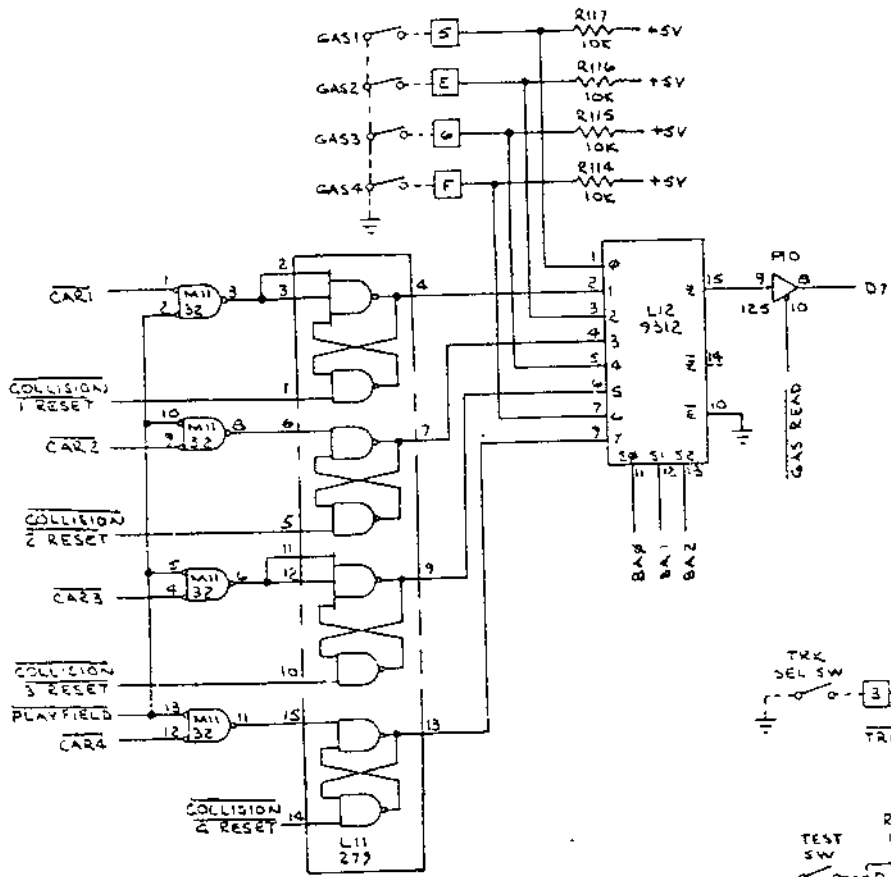
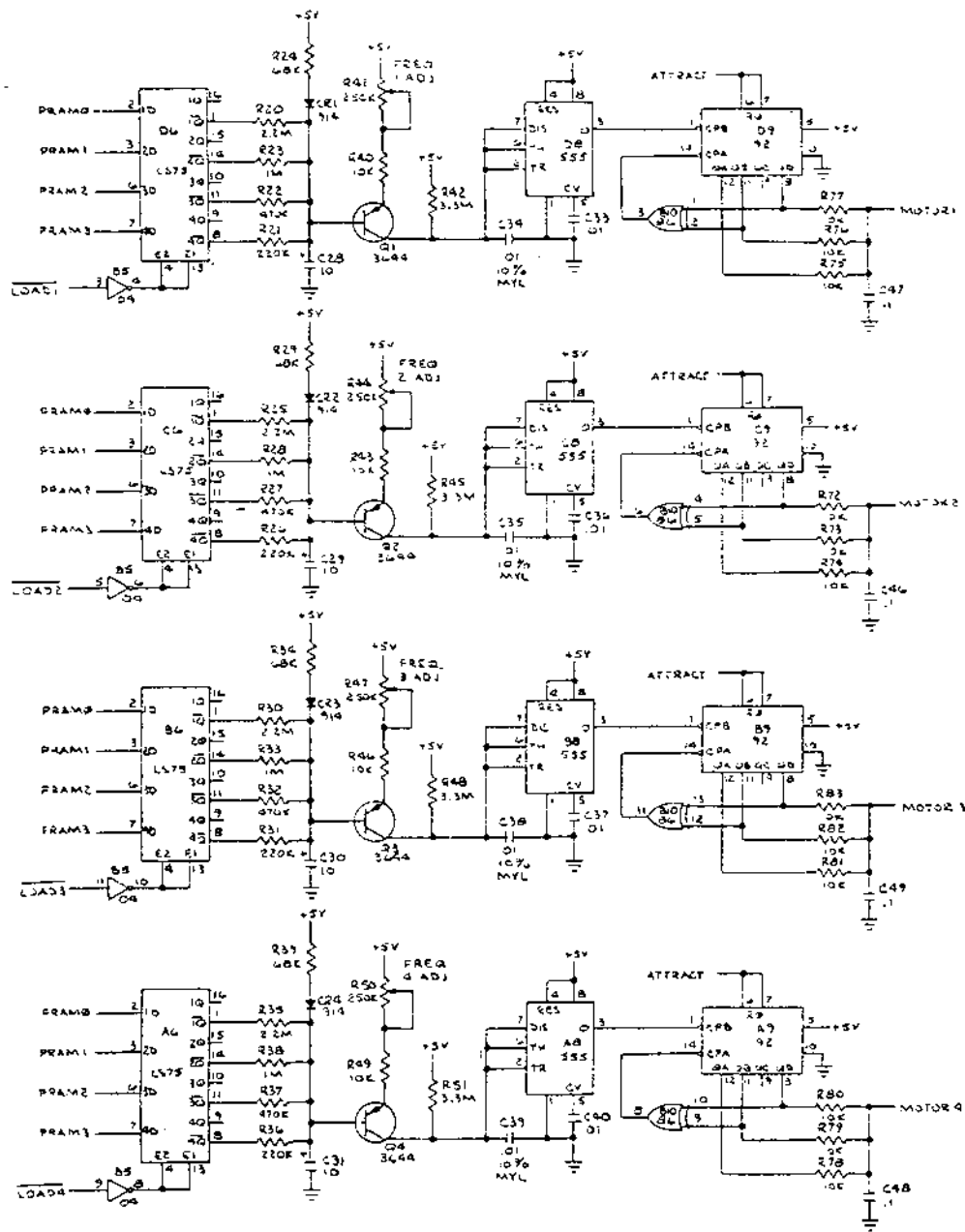
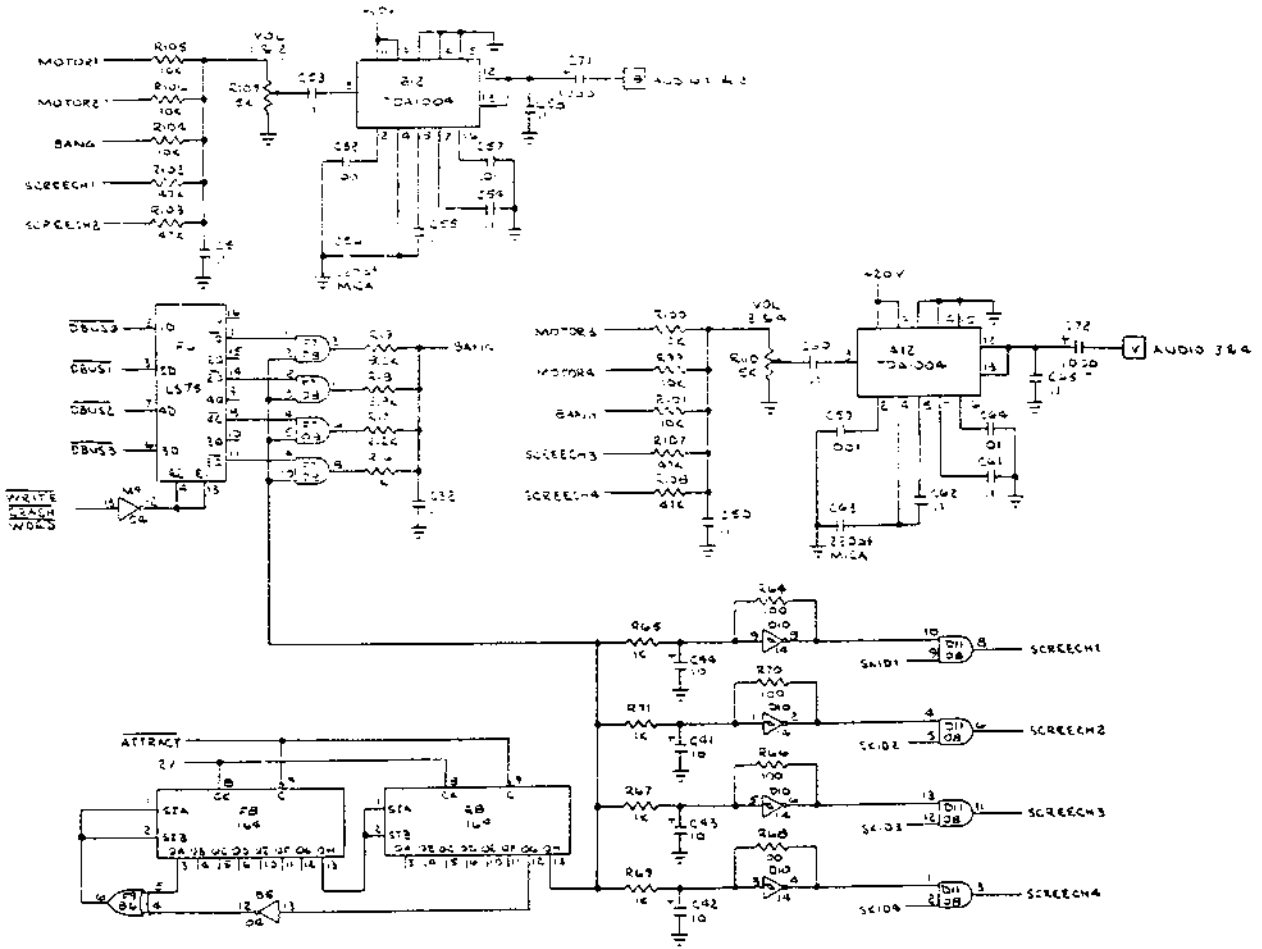


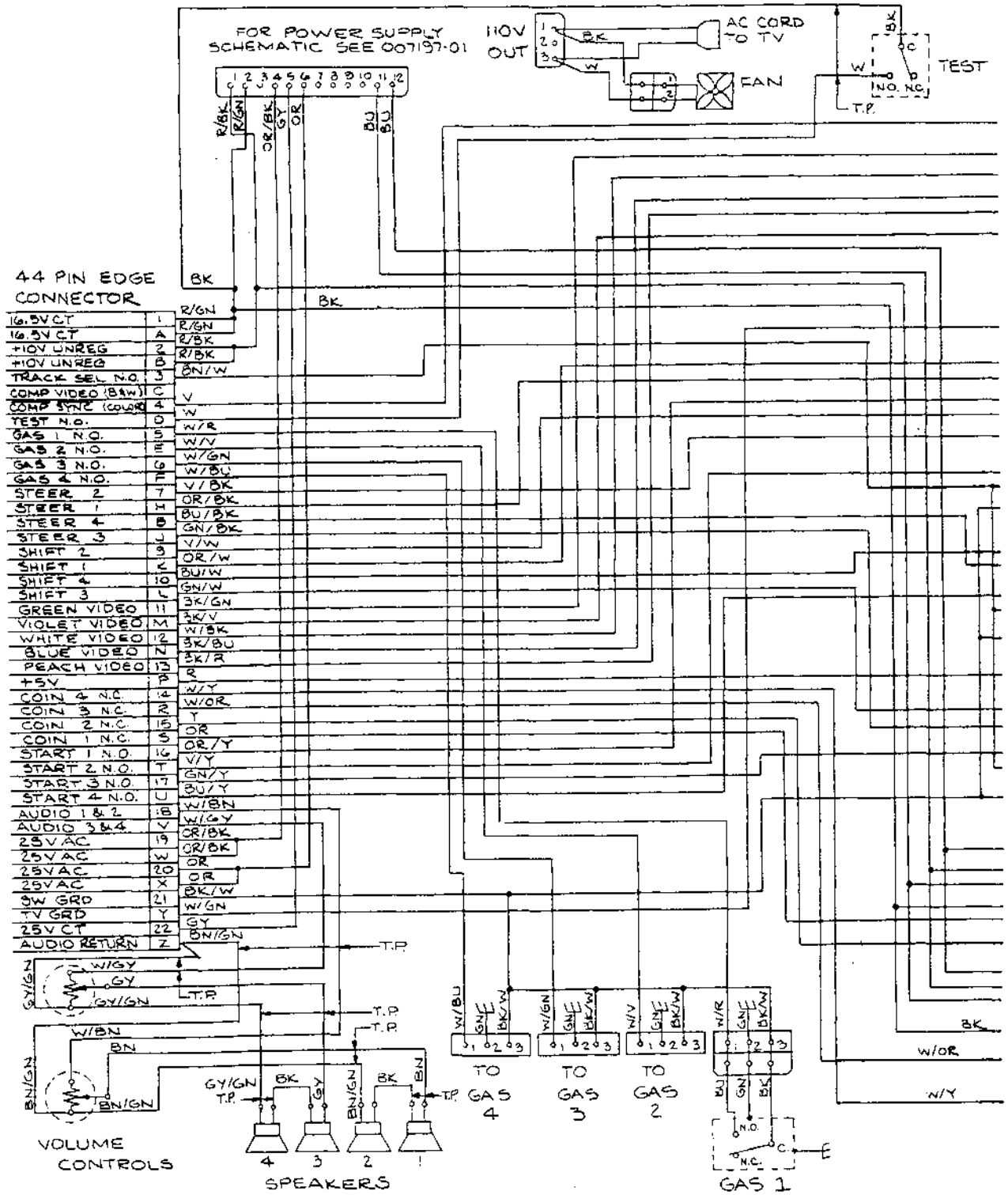
Figure 14 PCB Schematic Diagram Sheet 5 of 6 A





ALQ10

Figure 14 PCB Schematic Diagram
Sheet 6 of 6 A



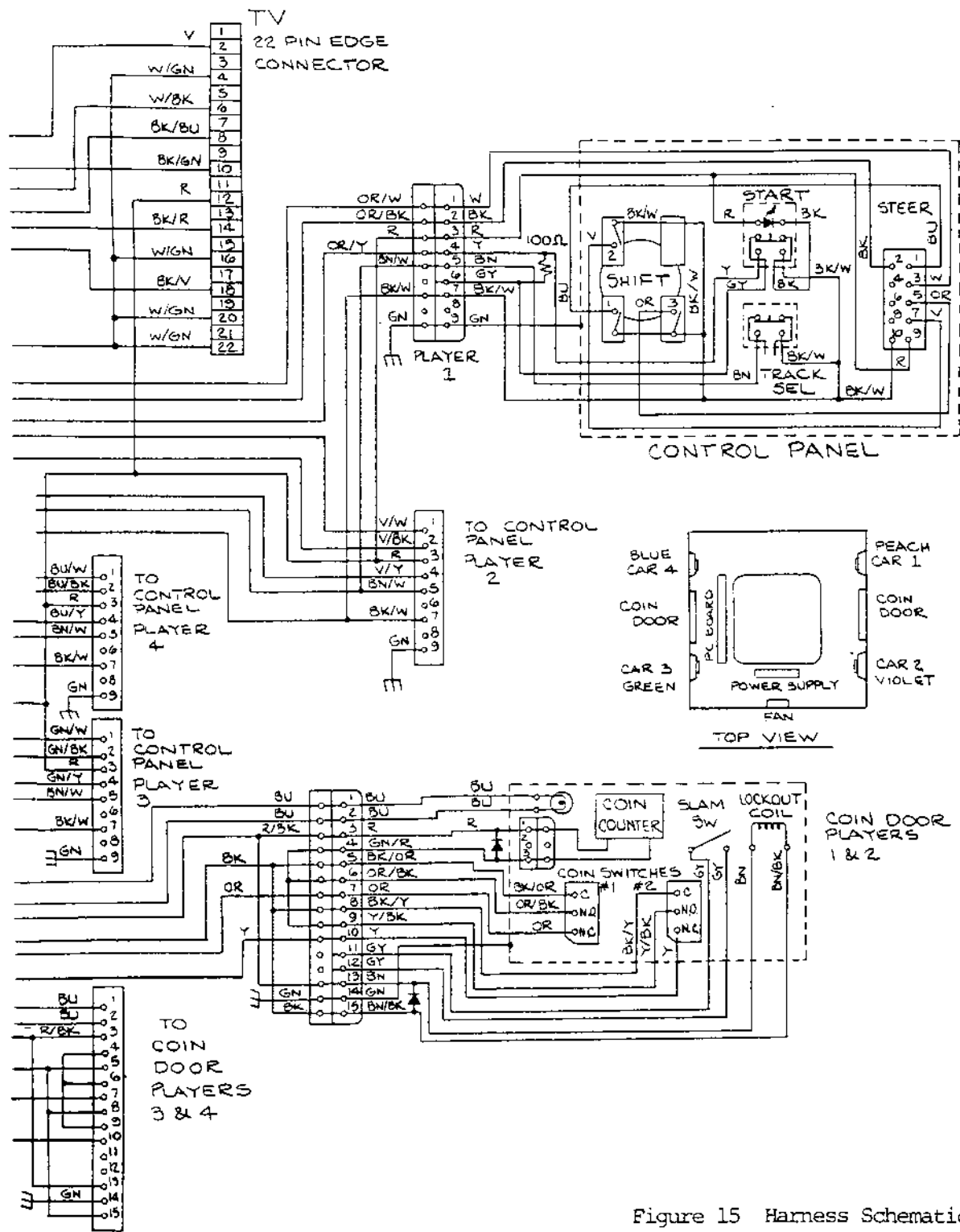


Figure 15 Harness Schematic A