

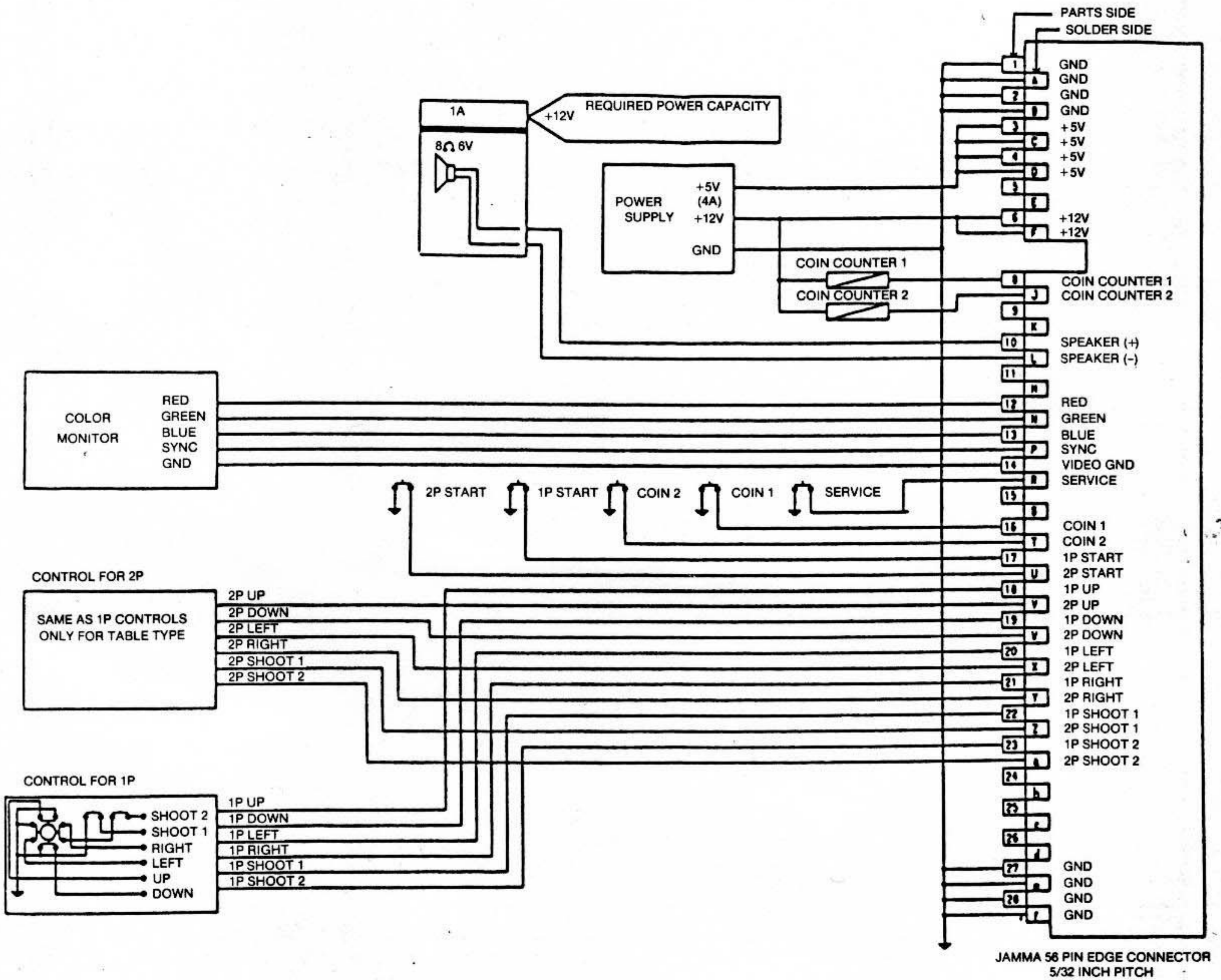


INSTRUCTION MANUAL

St. Dragon™ is a horizontal conversion kit

St. Dragon™ is a trademark of Jaleco USA Inc.
©1989 Jaleco Ltd.

St. Dragon™ Wiring Diagram



St. Dragon™ Wiring Diagram

Edge Connector Diagram (Edge Connector of Jamma Specs.)

Component Side		Solder Side	
GND	1	A	GND
GND	2	B	GND
Headphone L&R (-)			
+5V	3	C	+5V
+5V	4	D	+5V
	5	E	
+12V	6	F	+12V
Key To Prevent Erroneous Insertion	7	H	Key To Prevent Erroneous Insertion
Coin Meter #1	8	J	Coin Meter #2
	9	K	
Speaker 1 (+)	10	L	Speaker 1 (-)
	11	M	
Video Red	12	N	Video Green
Video Blue	13	P	Video Sync
Video GND	14	R	Service Switch
	15	S	
Coin SW #1	16	T	Coin SW #2
1P Start	17	U	2P Start
1P Up	18	V	2P Up
1P Down	19	W	2P Down
1P Left	20	X	2P Left
1P Right	21	Y	2P Right
1P Push 1	22	Z	2P Push 1
1P Push 2	23	a	2P Push 2
	24	b	
	25	c	
	26	d	
GND	27	e	GND
GND	28	f	GND

Speaker 2 (+)	1	2	Speaker 2 (-)
Headphone R (+)			

