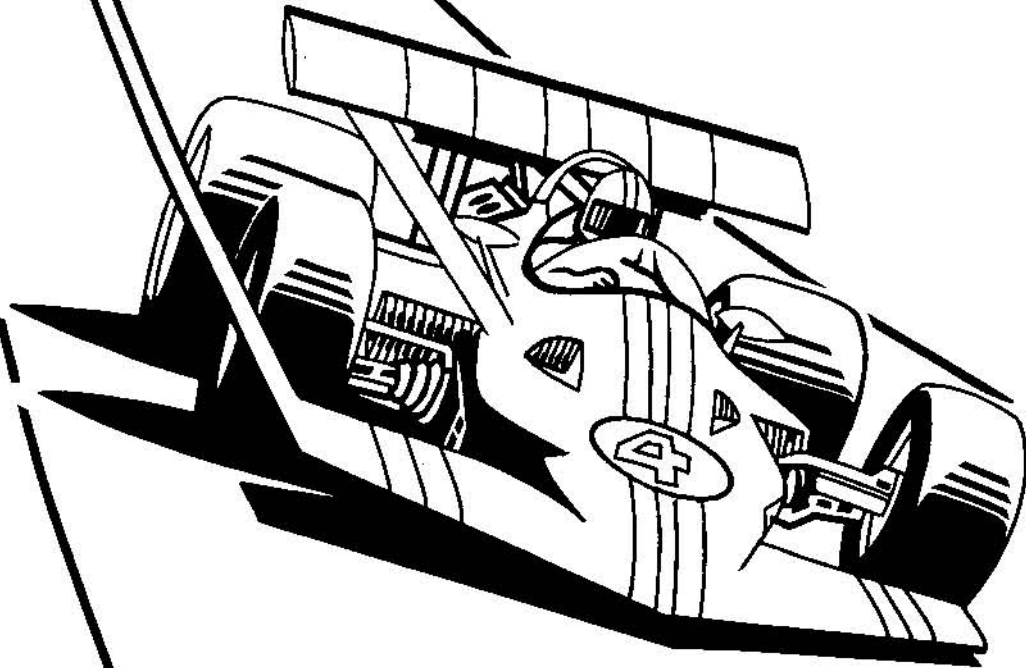


centuri T.M.
, INC.
HIALEAH . FLORIDA . U . S . A

ROUTE 16®



SERVICE MANUAL

ROUTE 16

CENTURI, INC.

245 W. 74TH PLACE

HIALEAH, FL. 33014

TEL. #(305) 558-5200

CUSTOMER SERVICE:

TEL. #(305) 558-5200 (IN FLORIDA)

TEL. #(800) 327-7710 (OUTSIDE FLORIDA)

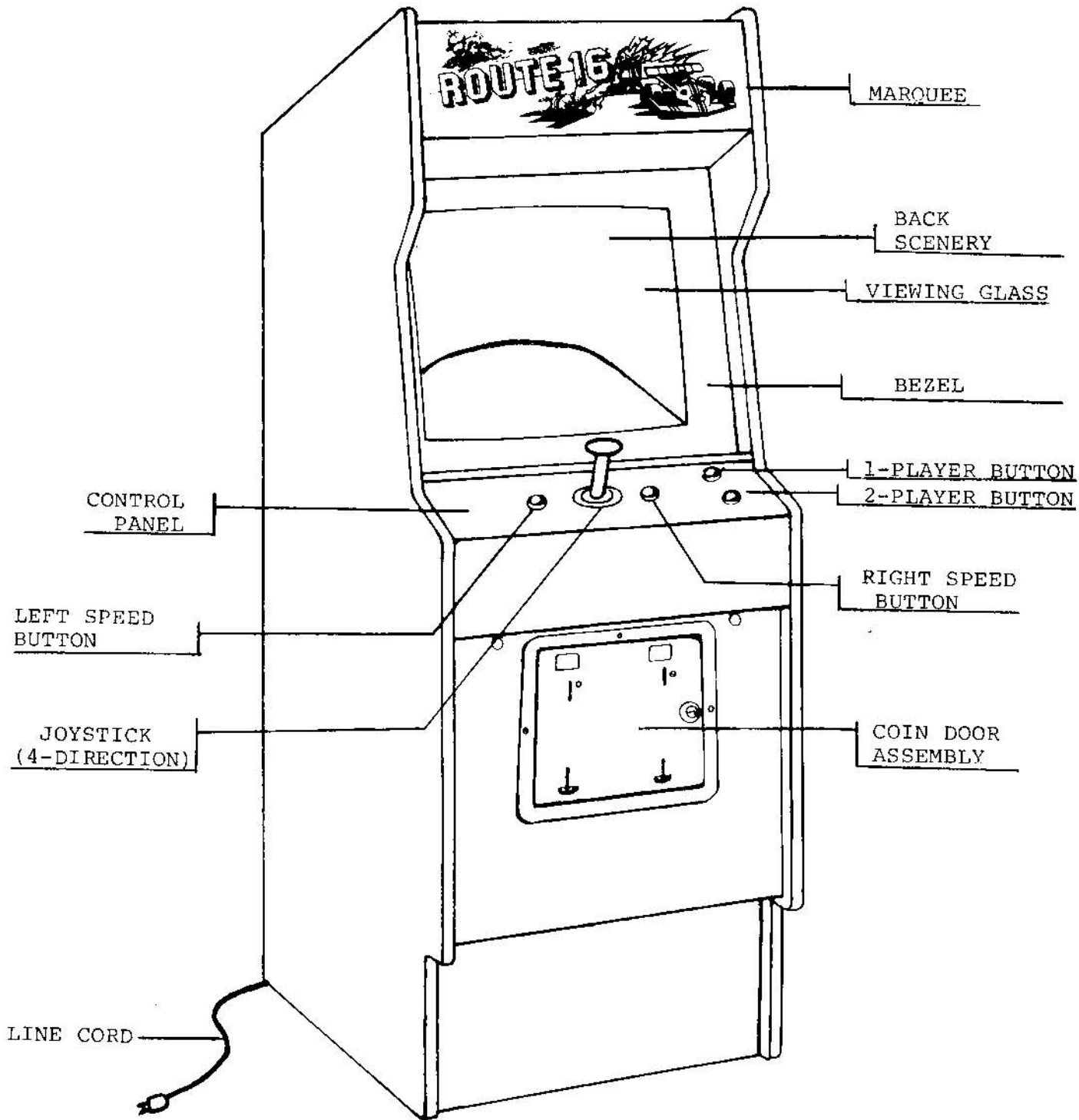
TABLE OF CONTENTS

	<u>PAGE NO.</u>
<u>I. INTRODUCTION:</u>	
USER INFORMATION - F.C.C.	1
GAME DESCRIPTION (DIAGRAM)	2
GAME SUMMARY	3
<u>II. SPECIFICATIONS:</u>	
INSTALLATION	4
ELECTRICAL REQUIREMENTS	4
110/220 CONVERSION INSTRUCTIONS	5
<u>III. OPERATION:</u>	
GAME INSTRUCTIONS	6
GAME SCORING	6
OPERATOR OPTIONAL SWITCH SETTINGS	7
OPTIONAL SWITCH SETTINGS	7
ROUTINE MAINTENANCE & SERVICE	8
POWER SUPPLY	8
<u>IV. GENERAL:</u>	
ROM A6 PRINTED CIRCUIT BOARD PARTS LIST	9
C.P.U. PRINTED CIRCUIT BOARD PARTS LIST	10, 11
POWER SUPPLY PARTS LIST	12, 13
CONTROL DECK ASSEMBLY - EXPLODED VIEW	14
COIN DOOR ASSEMBLY - FIGURE 1	15
COIN DOOR ASSEMBLY - FIGURE 2	16
<u>V. DRAWINGS:</u>	
110/220 POWER INTERCONNECT DIAGRAM	(361-10-0900) ..17
C.P.U. HARNESS DIAGRAM	(366-12-0100) ..18
POWER SUPPLY SCHEMATIC	(363-17-0300) ..19
COIN DOOR WIRING DIAGRAM	(364-62-1000) ..20
CPU/LOGIC BOARD SCHEMATICS:	
SOUND BOARD (1 of 8)	(366-10-0400) ..21
S1 BOARD (2 of 8)	(366-10-0400) ..22
VRAM2 BOARD (3 of 8)	(366-10-0400) ..23
CPU-2 BOARD (4 of 8)	(366-10-0400) ..24
VRAM-1 BOARD (5 of 8)	(366-10-0400) ..25
CPU-1 BOARD (6 of 8)	(366-10-0400) ..26
DUAL PORT RAM (7 of 8)	(366-10-0400) ..27
IN/OUT BOARD (8 of 8)	(366-10-0400) ..28

USER INFORMATION - F.C.C.

WARNING:

This equipment generates, uses and can radiate radio frequency energy and if not installed and used in accordance with the instructions manual, may cause interference to radio communications. As temporarily permitted by regulation, it has not been tested for compliance pursuant to Subpart J of Part 15 of F.C.C. Rules, which are designed to provide reasonable protection against such interference. Operation of this equipment in a residential area is likely to cause interference in which case the user at his own expense will be required to take whatever measures may be required to correct the interference.



19" "ROUTE 16" VIDEO UPRIGHT

ROUTE 16

GAME SUMMARY

Route 16 is a challenging race car game, integrating special features to excite the beginner as well as the seasoned player. The vivid video screen is fascinating, and is complimented by exceptional audio during game play.

The red car is controlled by the joystick feature, and is pursued through 16 different routes (mazes) by three chase cars. The search mode reveals an overview of all 16 routes, and the search mode appears whenever the car exits a route. In the search mode, the player car becomes a red cube, and the chase cars become yellow cubes.

Whenever the player car exits one route, there is a one second delay for a total overview of the game.

Each route has dead-ends, zig-zags, and multiple entrances and exits.

Some routes have the dollar symbol (\$), and the player scores 200 points each time this symbol is cleared. The dollar symbols randomly change to oil slicks, and when encountered, the oil slicks slow down the player car.

The question mark symbol (?), is surrounded by check points (□), and will either reveal a bomb symbol or a bell mark after the player car clears the check point. The bell will add 800 points to the player's score when cleared. Player skill is tested here to avoid the bomb if it appears.

Some routes have a flag symbol, and when the player car clears the symbol, the pursuing cars become dollar symbols, and every effort should be made by the player to chase them down, and add extra points to his score.

One route has a flickering bonus car symbol. When the symbol appears, clear it and earn an additional player car.

One route has an additional game feature. When the player car enters the maze, it is pursued by an attacking monster. The player car cannot clear or collide with the monster, but must avoid it, or be destroyed.

The high-speed button is another feature of Route 16. When pushed, the player car is accelerated to escape the chase cars. Usage of the high-speed button reduces the player car's fuel. At the end of each round, bonus points are added to the player's score for remaining fuel.

After all the symbols are cleared, the round ends. In successive rounds, additional dollar symbols (\$), and additional enemy chase cars are added.

The game is over when all the player cars have crashed.

INSTALLATION

Your game was shipped from the factory in ready-to-play condition. A brief inspection is suggested before the machine is removed from the carton. If there is damage to the shipping carton, contact the freight carrier for claim purposes. External damage could indicate possible damage to the cabinet and/or electronic components.

After the carton has been satisfactorily inspected, remove the machine from the shipping carton.

Examine the interior of the game for disconnected wires, cables or harnesses and make sure electronic devices are securely mounted in their sockets, etc. Record the game serial number, since it will be required for reference and servicing.

ELECTRICAL REQUIREMENTS

Unless otherwise specified, this game is set to operate at 110 Volts A.C. See Figure (1) for 110/220 VAC conversion instructions.

Power Supply Chassis schematic information and parts list are included in this manual.

FIGURE (1)

110/220 VAC CONVERSION INSTRUCTIONS



















1. This video arcade game has a harnessing configuration that allows the machine to be operated from either a 110 VAC or 220 VAC @ 50 or 60 Hz power source, with only minor changes. The only items requiring a change are the fuses and the jumper plug on the game power transformer.
 2. First, unplug the machine from the wall outlet to completely eliminate shock hazards.
 3. Next, remove the two fuses in the A.C. distribution bracket.
 4. Then, remove the jumper plug on the game power transformer located on the floor of the machine.
 5. Now, depending on what voltage you wish to run the game from, do the following:
 - 110 VAC: Replace the two fuses that go in the bracket with 3-AMP SLOW-BLOW types. Next, plug in the ORANGE jumper plug labeled 110 VAC. The machine can now be operated with an input voltage of 110 Volts AC.
 - 220 VAC: Replace the two fuses that go in the bracket with 1½ AMP SLOW-BLOW types. Next, plug in the RED jumper plug labeled 220 VAC. The machine can now be operated with an input voltage of 220 volts AC.
- NOTE: All games shipped from CENTURI, INC. are in the 110 VAC configuration.

ROUTE 16 - GAME INSTRUCTIONS

1. INSERT COIN.
2. SELECT ONE-PLAYER OR TWO-PLAYER BUTTON.
3. JOYSTICK CONTROL MANUEVERS PLAYER CAR IN FOUR DIRECTIONS, ENABLING CAR TO TRAVEL THROUGH EACH "ROUTE" (MAZE), AND ENTER AND EXIT EACH "ROUTE".
4. HIGH SPEED BUTTON ACCELERATES PLAYER CAR, BUT DECREASES FUEL.
5. POINTS ARE SCORED BY CLEARING SYMBOLS ON EACH ROUTE.
6. BONUS POINTS ARE SCORED WHEN ALL SYMBOLS ARE CLEARED BEFORE FUEL IS DEPLETED. BONUS POINTS ARE ADDED AS TEN (10) TIMES FUEL BALANCE.
7. BONUS CAR IS ADDED WHEN PLAYER CAR CLEARS FLASHING CAR SYMBOL.
8. CLEARING FLAG MARK CHANGES ENEMY CARS TO DOLLARS (\$) POINTS.
9. MYSTERY MARK (? MARK) IS REVEALED AS A DOLLAR SYMBOL OR BOMB SYMBOL WHEN PLAYER CAR CROSSES CHECK POINTS SURROUNDING MYSTERY MARK.
10. GAME IS OVER WHEN ALL PLAYER CARS HAVE CRASHED.

GAME SCORING

POINT VALUES

	DOLLAR	FLAG	QUESTION MARK	BELL (\$)	BOMB	EXTRA CAR	OIL	ENEMY CAR	PLAYER CAR
ONE ROUTE VIEW:									
	200 points	500 points	? points	800 points	0	-	0	-	-
ALL ROUTES VIEW:									

OPERATOR OPTIONAL SWITCH SETTINGS

The option switches are located on the CPU Board. The option switches and audio control can be reached through the back of the machine.

The following table will assist your adjustments:

OPTIONAL SWITCH SETTINGS

Switch 1 controls the number of cars allotted each player per game. The switch settings should be as follows:

<u>SWITCH 1:</u>	<u>NUMBER OF CARS:</u>
OFF	3
ON	5

Switches 2 and 3 are not used.

Switches 4 and 5 control the game fees. These settings can be set for one coin (25¢) or two coins (50¢) per play as follows:

<u>SWITCH 4:</u>	<u>SWITCH 5:</u>	<u>COIN SETTING:</u>
OFF	OFF	One Coin (25¢) - One Play
ON	OFF	Two Coins(50¢) - One Play

Switch 6 is a preset factory adjustment, and should remain in the "ON" position for the video upright game.

Switch 7 is preset at the factory, and should be set in the "ON" position for the monitor picture adjustment.

Switch 8 allows the operator to regulate the availability of music in the attract mode. The following settings regulate this function:

<u>SWITCH 8:</u>	<u>ATTRACT MODE MUSIC:</u>
ON	Music Available
OFF	Music Not Available

ROUTINE MAINTENANCE & SERVICE

Because of the solid state electronic circuitry, this machine should require very little maintenance and only occasional adjustments. However, it is necessary to take measures to insure this.

The volume control is located on the bottom side of the printed circuit board farthest from the side of the cabinet, and can be accessed through the rear door.

The video monitor has been properly adjusted before shipping. Occasionally minor adjustments are necessary, see monitor specifications and schematics for technical information. Adjustment controls for the monitor are located at the rear of the monitor.

This machine should be serviced only by a qualified technician.

Do not make any adjustments on this machine while the power is on.

For service information, contact:

CENTURI, INC.

Customer Service Department

#800-327-7710 (Outside the state of Florida)

#305-556-5888 (In Florida)

POWER SUPPLY

The Computer Board in this game operates most efficiently and reliably when the power supply is set so that the voltage on the board is 5.0 Volts, ± 0.1 Volts. To check this, place a meter across 5 Volts and ground at the edge connector. If necessary, adjust the screwdriver control on the power supply so that the meter reads between 4.9 and 5.1 Volts.

PARTS LIST

<u>NO.</u>	<u>PART NUMBER:</u>	<u>DESCRIPTION:</u>	<u>USAGE:</u>
1	50010306	MB8841	1
2	50010264LS	74LS368	3
3	50010105LS	74LS32	1
4	50010139LS	74LS175	1
5	50040002	.1 mfd, 50 Volt Ceramic Disc Cap.	3
6	50040141	.001mfd, 50 V., Ceramic Disc Cap.	1
7	50040170	220PF, 50 V., Ceramic Disc Cap.	1
8	50060178	4.7mfd, 10 V. Tantalum Capacitor	1
9	50100014	1N914 Diode	1
10	50030063	10K, 1/4 W., 5% Resistor	1
11	50030147	6.8K Ohm, 1/4 W., 5% Resistor	1
12	50030006	4.7K Ohm, 1/4 W., 5% Resistor	1
13	50210222	Printed Circuit Board	1
14	50150297	Square Pin Straight Wafer, (Molex #22-03-2121)	2

PARTS LIST

<u>NO.</u>	<u>PART NUMBER:</u>	<u>DESCRIPTION:</u>	<u>USAGE:</u>
1	50010233	TMS 4116 I.C.	16
2	50010028LS	74LS153 I.C.	8
3	50010019LS	74LS74 I.C.	5
4	50010045LS	74LS157 I.C.	9
5	50010096LS	74LS08 I.C.	2
6	50010002LS	74LS00 I.C.	7
7	50010025LS	74LS95 I.C.	4
8	50010007LS	74LS10 I.C.	4
9	50010005LS	74LS04 I.C.	7
10	50010008LS	74LS20 I.C.	1
11	50010022LS	74LS86 I.C.	4
12	50010264LS	74LS368 I.C.	10
13	50010012LS	74LS30 I.C.	1
14	50010204LS	74LS393 I.C.	2
15	50010139LS	74LS175 I.C.	1
16	50010014LS	74LS42 I.C.	3
17	50010105LS	74LS32 I.C.	6
18	50010242	2114 (MPD 2114 - LC-3)	2
19	50010195LS	74LS367	10
20	50010305	MB7052	2
21	50010030LS	74LS174	3
22	50010004LS	74LS02	1
23	50010171	2716	10
24	50010187	Z-80 C.P.U.	2
25	50010307	7946 (Sound Chip AY-3-8910)	1
26	50130034	8-Position DIP Switch	1
27	50040002	.1mfd, 50 Volt, Ceramic Disc Cap.	20
28	50040066	470PF, 50 V., Ceramic Disc Cap	3
29	50040005	0.01mfd, 50 V., Ceramic Disc Cap.	1
30	50040168	30PF, 50 V., Ceramic Disc Cap.	1
31	50040141	0.001mfd, 50 V. Ceramic Disc Cap.	1
32	50030095	330 Ohm, 1/4 W., 5% Resistor	2
33	50030063	10K Ohm, 1/4 W., 5% Resistor	3
34	50030150	47K Ohm, 1/4 W., 5% Resistor	1
35	50040125	220 Ohm 1/4 W., 5% Resistor	2
36	50030310	560 Ohm, 1/4 W., 5% Resistor	1
37	50030091	56K Ohm, 1/4W., 5% Resistor	1
38	50030185	1.8K Ohm, 1/4 W., 5% Resistor	1
39	50030051	1K Ohm, 1/4 W., 5% Resistor	2
40	50030007	100K Ohm, 1/4 W., 5% Resistor	1
41	50360010	2.2K Ohm, 1/4 W., 9-Pin SIP Resistor	3
42	50070016	10MH _z Crystal	1
43	50020065	TIP 120 NPN Darlington Transistor	1
44	50060176	0.47mfd, 16 V., Tantalum Cap.	1
45	50060177	100mfd, 16V., Radial Lytic Cap.	3
46	50060156	10mfd, 16V., Radial Lytic Cap.	1
47	50060139	47mfd, 16V., Radial Lytic Cap.	1

C.P.U. PRINTED CIRCUIT BOARD

#50330011

PARTS LIST

Page -2-

<u>NO.</u>	<u>PART NUMBER:</u>	<u>DESCRIPTION:</u>	<u>USAGE:</u>
48	50040169	.1mfd, 50 V. Mylar Capacitor	1
49	50150111	16-Pin I.C. Socket	4
50	50150061	24-Pin I.C. Socket	11
51	50150112	18-Pin I.C. Socket	2
52	50150060	40-Pin I.C. Socket	2
53	50010271	MB3713 Audio Amplifier	1
54	50100014	1N914	1
55	50080034	100K Potentiometer, CTS 375 V.	1
56	50210223	P.C.B. Route 16, C.P.U.-Logic	1
57	50175506	Jumper, 22GA, insulated Wire	36"

PARTS LIST

<u>SYMBOL:</u>	<u>DESCRIPTION:</u>	<u>USAGE:</u>
T1	Transformer, Single Phase, 24 VA	1
L1	Coil, 1.6 mH, 1.5A	1
L2, L4	Coil, SF-T8-50S-03	2
L3	Coil, SF-HP-2A-03	1
D1	Diode, V19G	1
D2	Diode, V06C	1
D3, D6	Diode, 1S1588	2
D4	Diode, S15S3	1
D5, D7	Diode, 5CH1M	2
D12, D13	Diode, F113B	2
D14	Diode, F113B	1
RF1	Diode, S4VB40 (Bridge Type)	1
Q1	Transistor, 2SC2504	1
Q2	Transistor, 2SD467 (B)	1
Q3	Transistor, 2SC460 (B)	1
Q4	Transistor, 2SA673 (B)	1
IC1	Integrated Circuit, RM723DC or HA17723G-02	1
PC1	Photo Coupler, PS2001	1
R1	Resistor, 2 Watt, 18 Ohm	1
R8, R9	Resistor, 2 Watt, 47K Ohm	2
R3, 1-4	Resistor, 2 Watt, 15 Ohm	4
R4	Resistor, 1 Watt, 56 Ohm	1
R12	Resistor, 1 Watt, 100 Ohm	1
R28	Resistor, 1 Watt, 470 Ohm	1
R7	Resistor, 1 Watt, 0.56 Ohm	1
R26	Resistor, 1 Watt, 0.82 Ohm	1
R23	Resistor, 1/4 Watt, 22 Ohm	1
R10	Resistor, 1/4 Watt, 33 Ohm	1
R27	Resistor, 1/4 Watt, 68 Ohm	1
R2	Resistor, 1/4 Watt, 330 - 470 Ohm	1
R22	Resistor, 1/4 Watt, 220 Ohm	1
R21	Resistor, 1/4 Watt, 270 Ohm	1
R6	Resistor, 1/4 Watt, 330 Ohm	1
R11	Resistor, 1/4 Watt, 68 Ohm	1
R20	Resistor, 1/4 Watt, 470 Ohm	1
R17	Resistor, 1/4 Watt, 680 Ohm	1
R19	Resistor, 1/4 Watt, 800 Ohm	1
R18	Resistor, 1/4 Watt, 1.2K Ohm	1
R5	Resistor, 1/4 Watt, 10K Ohm	1
R16	Resistor, 1/4 Watt, 220K Ohm	1
R29	Resistor, 3 Watt, 27 Ohm	1
R39	Resistor, 1/4 Watt, 4.7K Ohm	1
R38	Resistor, 1/4 Watt, 5.6K Ohm	1
R24	Resistor, 1/4 Watt, 330 Ohm	1
R25	Resistor, 1/4 Watt, 150 Ohm	1
RV1	Variable Resistor, RJ-6P501	1

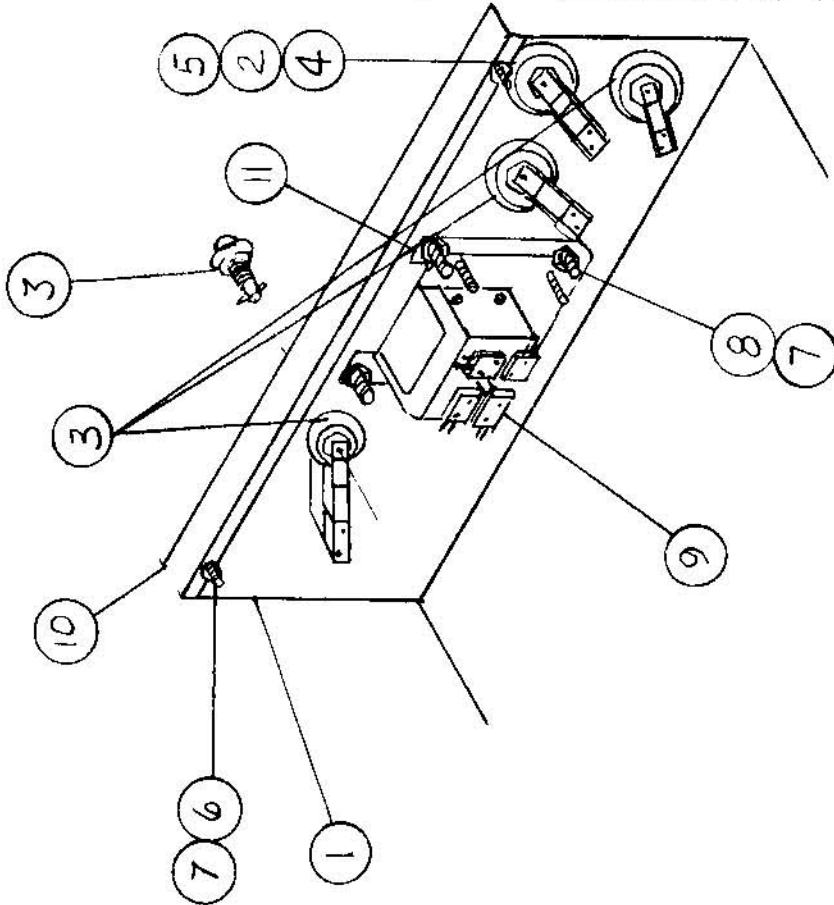
POWER SUPPLY

#50350001

PARTS LIST

Page -2-

<u>SYMBOL:</u>	<u>DESCRIPTION:</u>	<u>USAGE:</u>
C1, C2	Capacitor, ECK-DAL102E	2
C3-1,-2	Capacitor, 160VSN100	2
C9, C10	Capacitor, SM10VB-2200	2
C11, C23	Capacitor, SM10VB-2200	2
C12,C13,C15	Capacitor, SL25VB-10	3
C27	Capacitor, SL25VB-10	1
C18,C19,C20	Capacitor, SM35VB-1000	3
C26	Capacitor, SM35VB-1000	1
C21,C22,C25	Capacitor, SM16VB-1000	3
C5	Capacitor, DMY21H472K	1
C6	Capacitor, DMY21H104K	1
C14,C16	Capacitor, DMY21H222K	2
C4	Capacitor, CM20XC511K5	1
C8	Capacitor, MDD22G473K	1
C5-2	Capacitor, DMY21H222K	1
1, F2	Enclosed Type Fuse, 3A	2



ITEM	QTY	PART NO	DESCRIPTION
11	2	366-03-0500	JOYSTICK MOUNTING BRKT
10	1	361-03-0600	DECK & GLASS ANGLE BRKT
9	1	50130058	JOYSTICK (4 POSITION) TAIL
8	4	10111006	#10-24 x 3/4 CARR. BOLT, BLK D.
7	6	10150007	KEPS NUT #10-24
6	2	10111004	#10-24 x 1/2 CARR. BOLT, BLKO
5	4	50130050	PAL NUT
4	1	50130049	RED BUTTON ASSY
3	3	50130048	WHITE BUTTON ASSY
2	4	50130047	SWITCH & BRKT
1	1	366-01-0500	CONTROL PANEL & OVERLAY ASSY
			DESCRIPTION

BILL OF MATERIAL

QC. AP'VD	PROD. AP'VD	QTY.	ASSEMBLY NO

centurion ^{inc}		HIALEAH, FLORIDA 33014	
NAME		CONTROL DECK ASSY	
MATT'S.		HEAT TREAT. FINISH	
DWN	APP'D.	DATE	SCALE
AAW		4-6-81	366-01-0800
REV. LET.	ECN NO.	REVISION	BY

TOLERANCES	
Unless Otherwise Specified	
FRACTIONS	± 1/32
DECIMALS 2 PL	± .015
DECIMALS 3 PL	± .005
HOLES	+ .003
ANGLES	- .001
SHT. MET BENDS	± 1/2°

2800 SERIES COIN DOOR EXPLODED VIEW

25¢ U.S. COIN

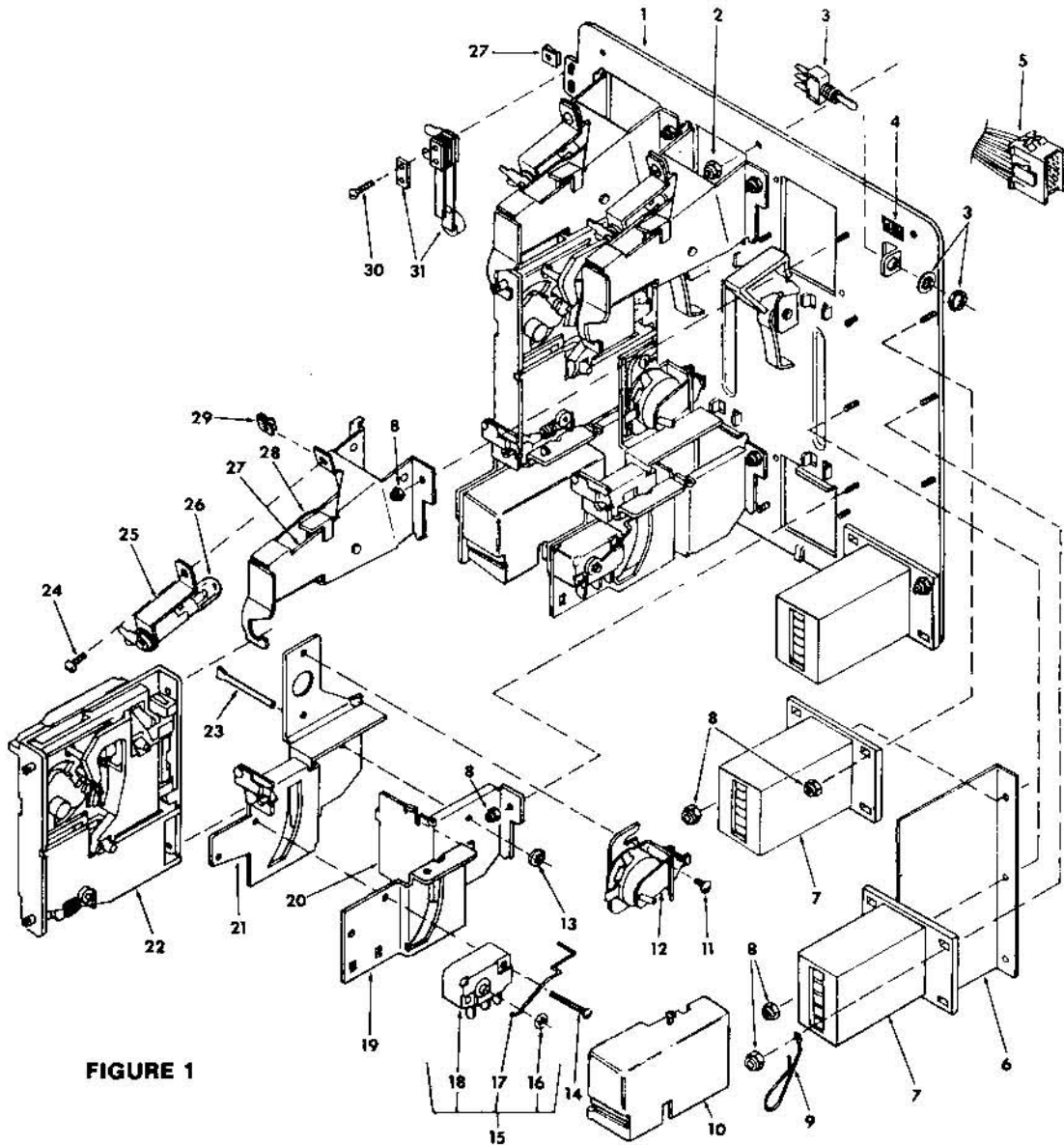


FIGURE 1

Index No.	Part No.	Description	Index No.	Part No.	Description
1	404429	Inner Panel With Levers Sub-Assembly	17	904710-1	Silver Switch Wire — for U.S. 25¢ Coin
2	400-8	Nut	18	904845	Switch
3	904782	Toggle Switch	19	904701	Coin Chute
4	904706	Test Switch Decal	20	904598	Coin Return Box
5		Custom Harness Assembly	21	404428	Switch and C.R.E.M. Coil Bracket Assembly
6	904822	Insulation	22	5301-10	25¢ Acceptor
7	404352	Coin Counter Assembly (6 Volt D.C.)	23	905115	Bar
8	400-4	Nut	24	110-4-6	Screw
9	904722	Wire Key Holder	25	904717	Miniature Bayonet-Base Lamp Socket
10	904762	Switch Cover	26	904716	#47 Lamp (6.3 Volt)
11	100-6-3	Screw	27	404418	Coin Inlet Chute Sub-Assembly
12	404354	C.R.E.M. Coil Assembly, 12 Volts D.C.	28	904594	Right Half of Coin Inlet Chute
13	904936	Keeper	29	904712	"U"-Type Fastener
14	100-4-12	Screw	30	116-4-8	Screw
15	404353	Coin Switch Assembly for U.S. 25¢ Coin	31	904704	Slam Switch Assembly
16	900651	Retainer			

2800 SERIES COIN DOOR EXPLODED VIEW
25¢ U.S. COIN

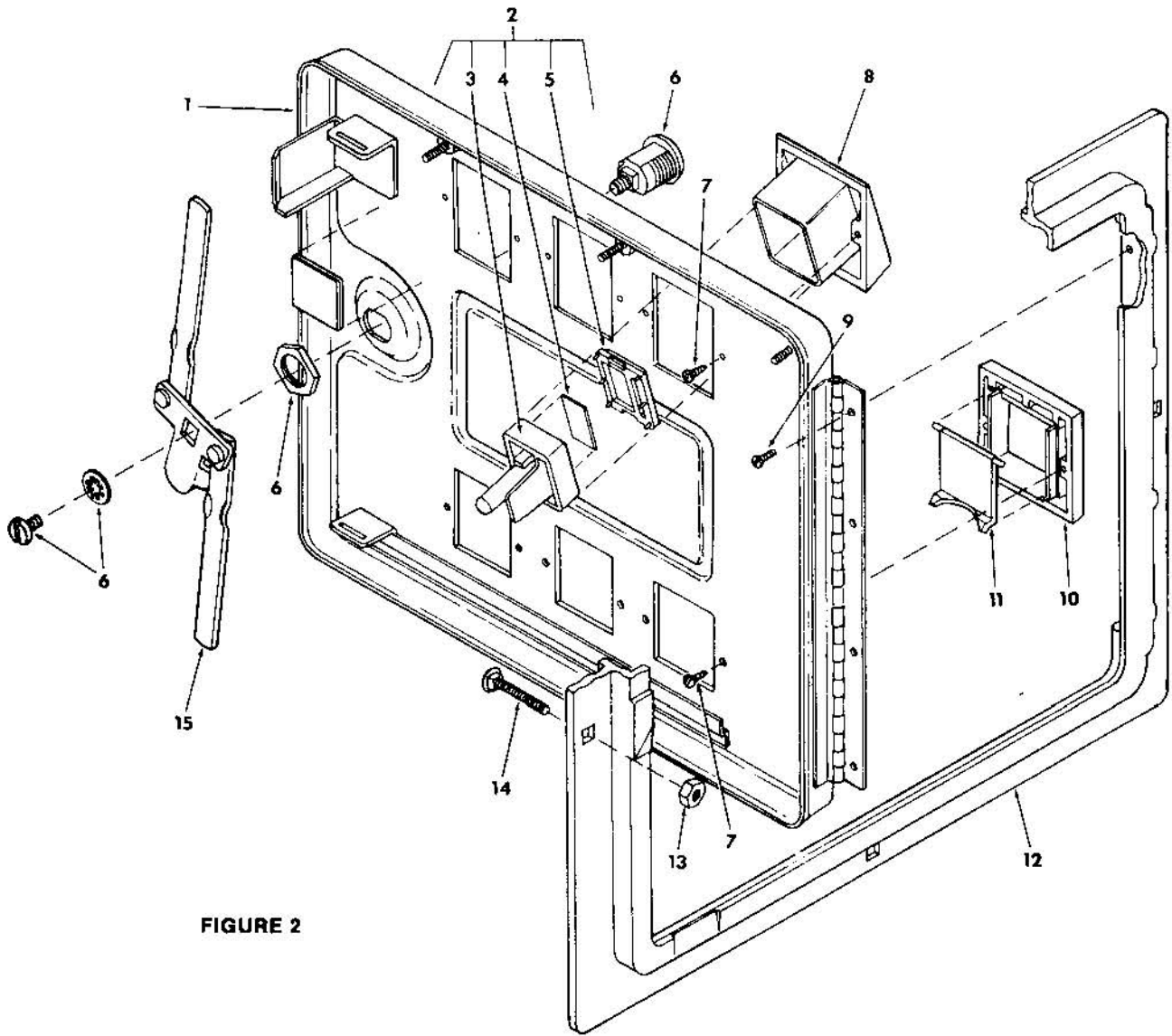
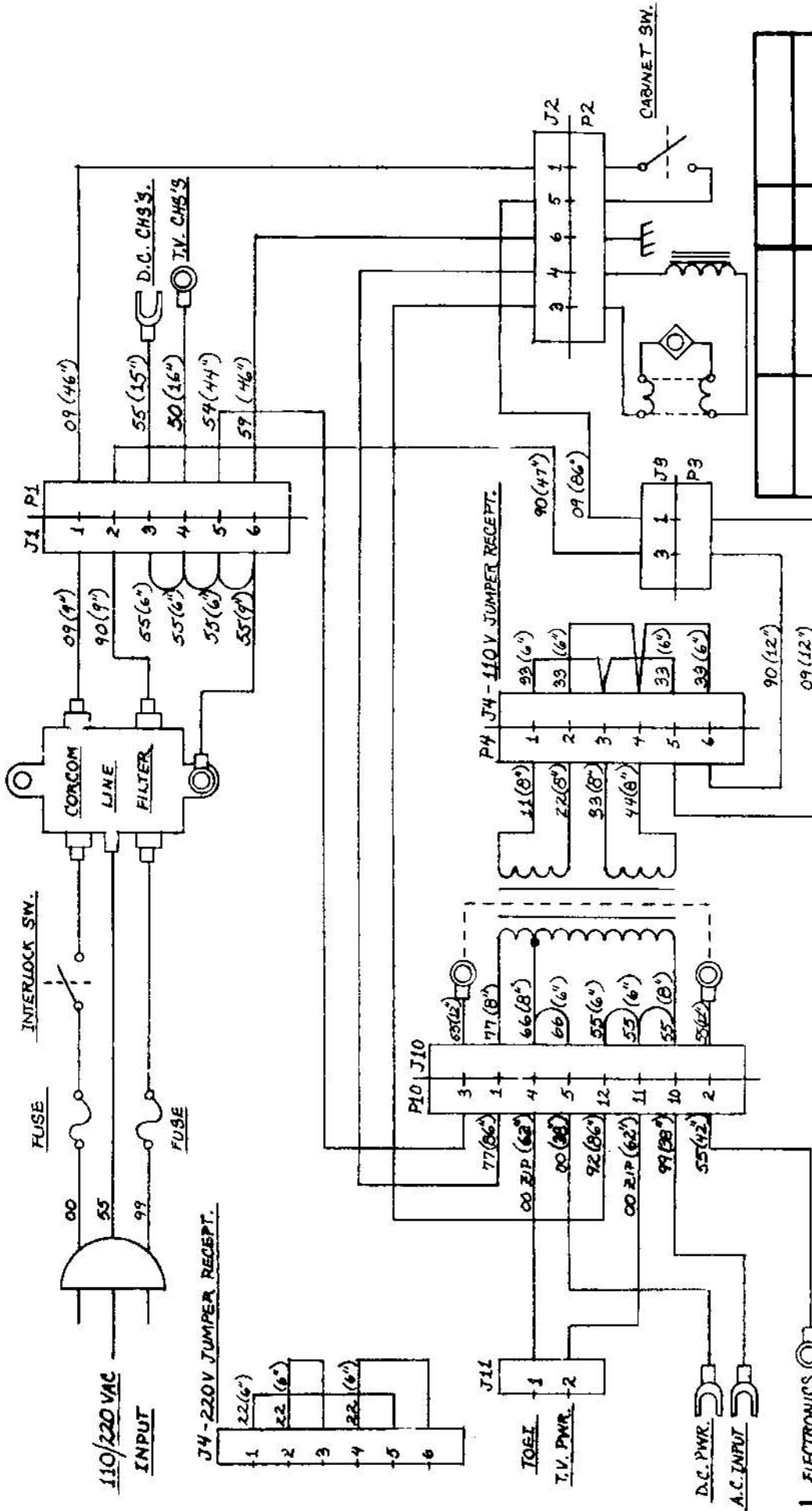


FIGURE 2

Index No.	Part No.	Description	Index No.	Part No.	Description
1	404341	Coin Door Only (2 Coin)	7	345-4-5	Screw
	404341-1	Coin Door Only (3 Coin)	8	904588	Coin Button Housing
2	404348-1	Coin Return Button Assembly for U.S. 25¢ Coin	9	325-4-4	Screw
3	904591	Coin Return Button	10	904590	Coin Return Bezel
4	904703	U.S. 25¢ Price Decal	11	904599	Coin Return Cover
5	904589-2	Coin Return Button Cover for U.S. 25¢ Coin	12	904581	Coin Door Frame, 11-5/8" x 13-3/8" Mounts in a 10-3/8" x 12-3/16" Opening
6	904707-1	Lock Assembly	13	406-416	Hex Nut
			14	904734	Carriage Bolt
			15	404357	Locking Arm Assembly



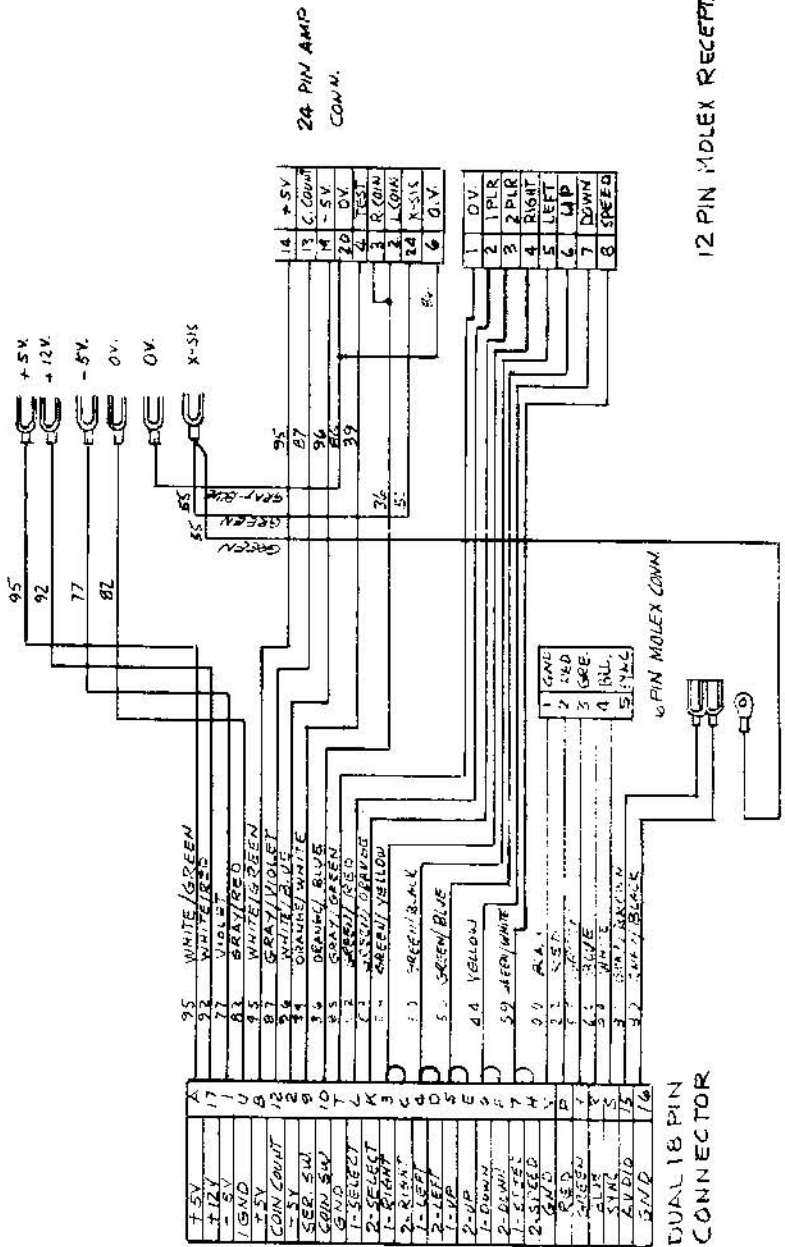
REV. LET.	BY	REVISION	DATE	SCALE	PART NO.	REV.
			1-14-81		361-10-0900	

TOLERANCES		Unless Otherwise Specified	
FRACTIONS	±	1/32	
DECIMALS 2 PL	±	.018	
DECIMALS 3 PL	±	.006	
HOLES	±	.003	
ANGLES	±	1/2°	
SHT. MET BENDS	±	2°	

QC. APVD	PROD. APVD	QTY.	ASSEMBLY ON

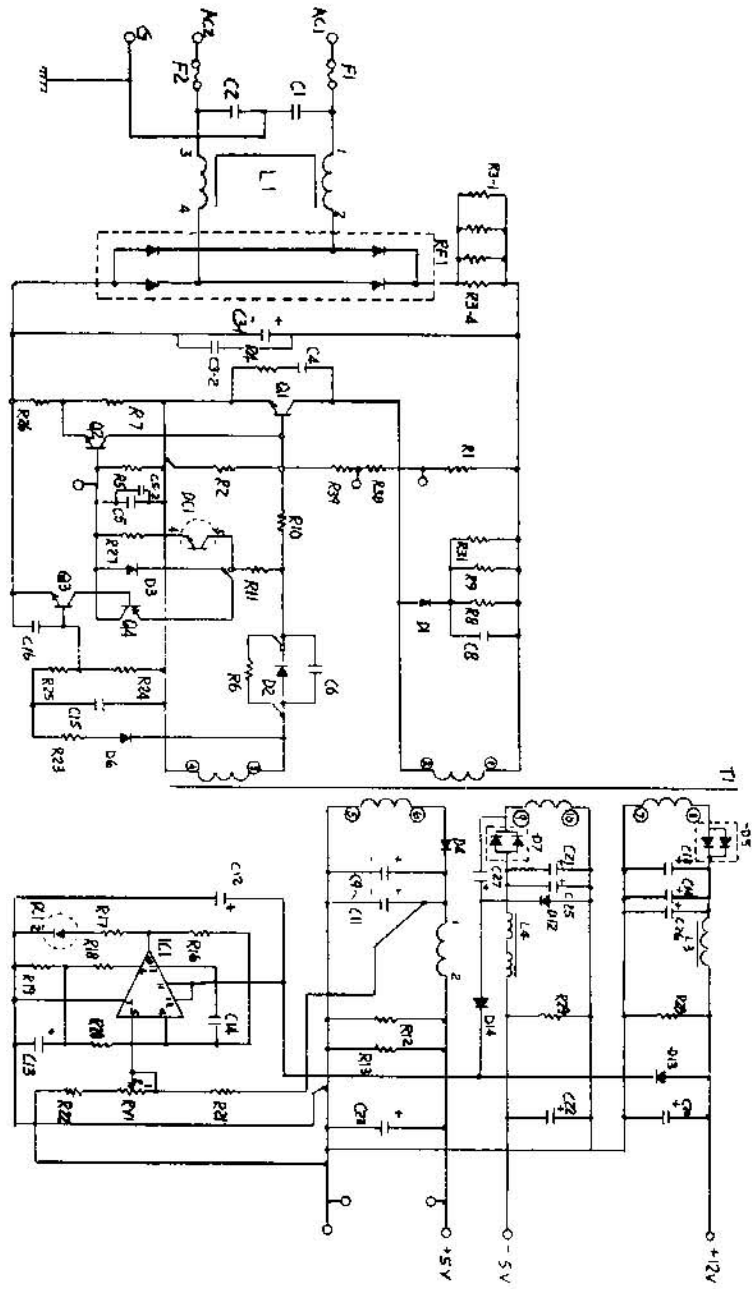
NAME	MAT'L'S.	HEAT TREAT.	FINISH
Century, Inc. HIALEAH, FLORIDA 33014			

19" : 110/220V POWER INTERCONNECT DIAG.			



12 PIN MOLEX RECEPTACLE

REV. LET.	ECN NO.	REVISION	BY
TOLERANCES			
Unless Otherwise Specified			
FRACTIONS	± 1/32		
DECIMALS 2 PL	± .016		
DECIMALS 3 PL	± .005		
HOLES	± .003		
ANGLES	± .001		
SHT. MET BENDS	± 1/2°		
DOWN	DATE	SCALE	PART NO.
AAW	3-27-81	366-12-0100	366-12-0100
centur™			
HIALEAH, FLORIDA 33014			
NAME CPU HARNESS - ROUTE 16			
MATERIALS HEAT TREAT. FINISH			
OC. APVD	PROD. APVD	QTY.	ASSEMBLY NO.



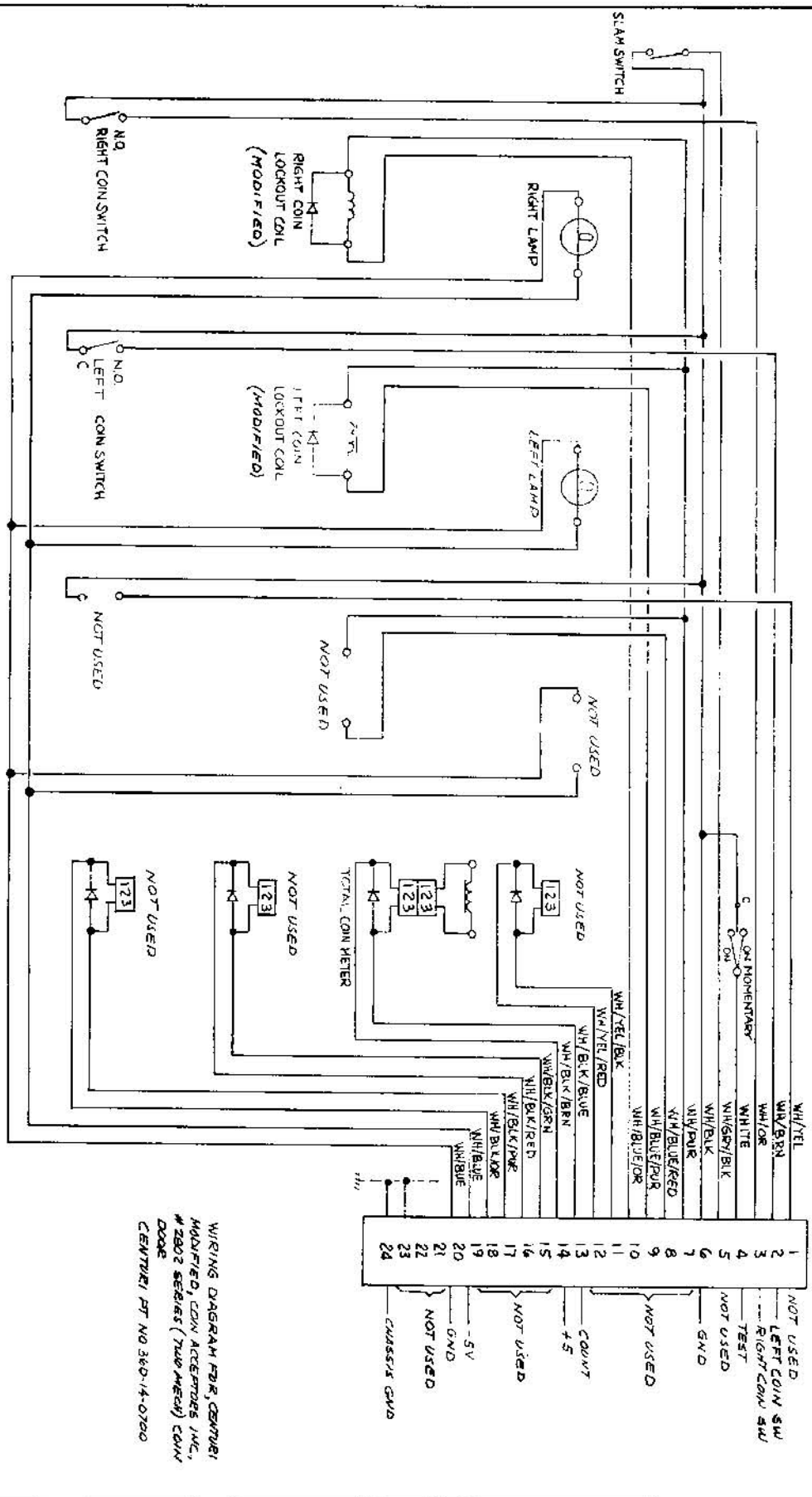
REV LTR		CON NO.	DESCRIPTION	DISPOSITION OF PARTS	ENGR'G APP'D
REV	LETTER				

CENTURI, INC.		1780 W. 4TH AVENUE, HIALEAH, FLORIDA 33010	
TITLE:		POWER SUPPLY SCHEMATIC	
DATE:	1/10/68	SCALE:	AS SHOWN
DRW'N BY:	AW	CHECKED BY:	AW
REVISED BY:		DATE:	

TOLERANCES:	
FRACTIONS	± 1/32
DECIMALS	± .03
ANGLES	± 1/2°

UNIT IS EITHER IN INCHES OR MILLIMETERS

UNIT IS EITHER IN INCHES OR MILLIMETERS



REVISIONS			DISPOSITION OF EXISTING PARTS		
REV LETTER	ECN NO	DESCRIPTION	RE WORK	SCRAP	CONV APP

WIRING DIAGRAM FOR CENTURI
 MODIFIED, COIN ACCEPTORS INC,
 #2802 SERIES (TWO MECH) COIN
 DOOR
 CENTURI PT NO 3&D-14-0700

TOLERANCES		CENTURI INC.	
		1780 W. 4th AVENUE HIALEAH, FLORIDA 33010	
		TITLE	
		COIN DOOR WIRING DIAGRAM	
		DATE	SCALE
		1-72-0	3&D-6-21000
			REV

- AY-3-8912 1
- SN76477 1

- 74CS10 1
- 74LS00 1
- MB37/3 1

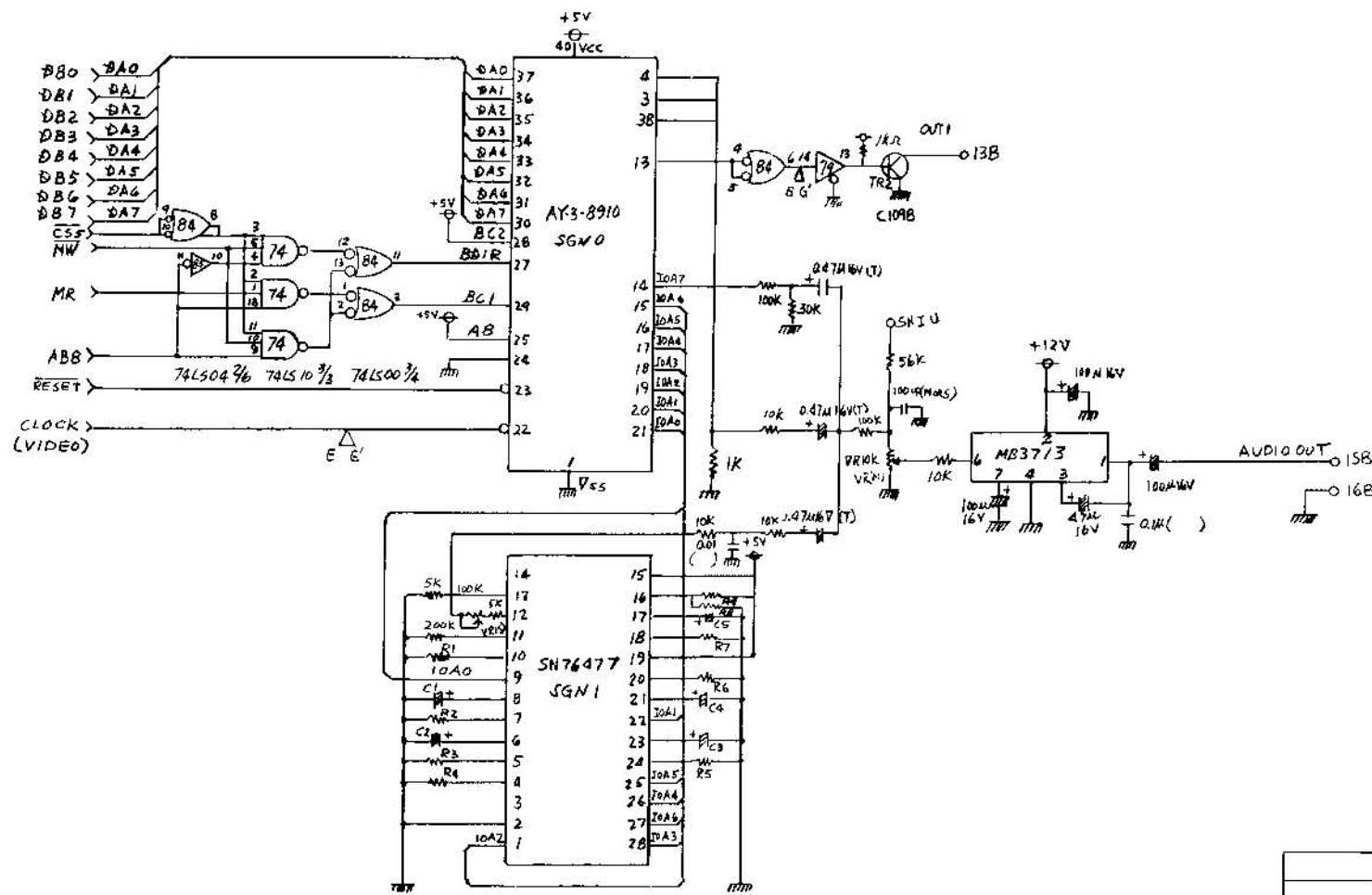
- R 100K 1/2W 1
- 1K " 1(2)
- 5K " 1
- 10K " 3
- 47K " 1
- 230K " 1
- 30K " 1
- 10K TRIMMER POTZ
- R1-R9 (NOT SPECIFIED)
- C 18.47M μ W TANTALUM CAP. 3
- 47M μ W 1
- 100M μ W 3
- 100N μ W 1
- C1-C5 MYLAR CAP (NOT SPECIFIED)
- C109B 1
- 1000P MYLAR CAPACITOR 1

- 5/4 R C-15, R1-R9

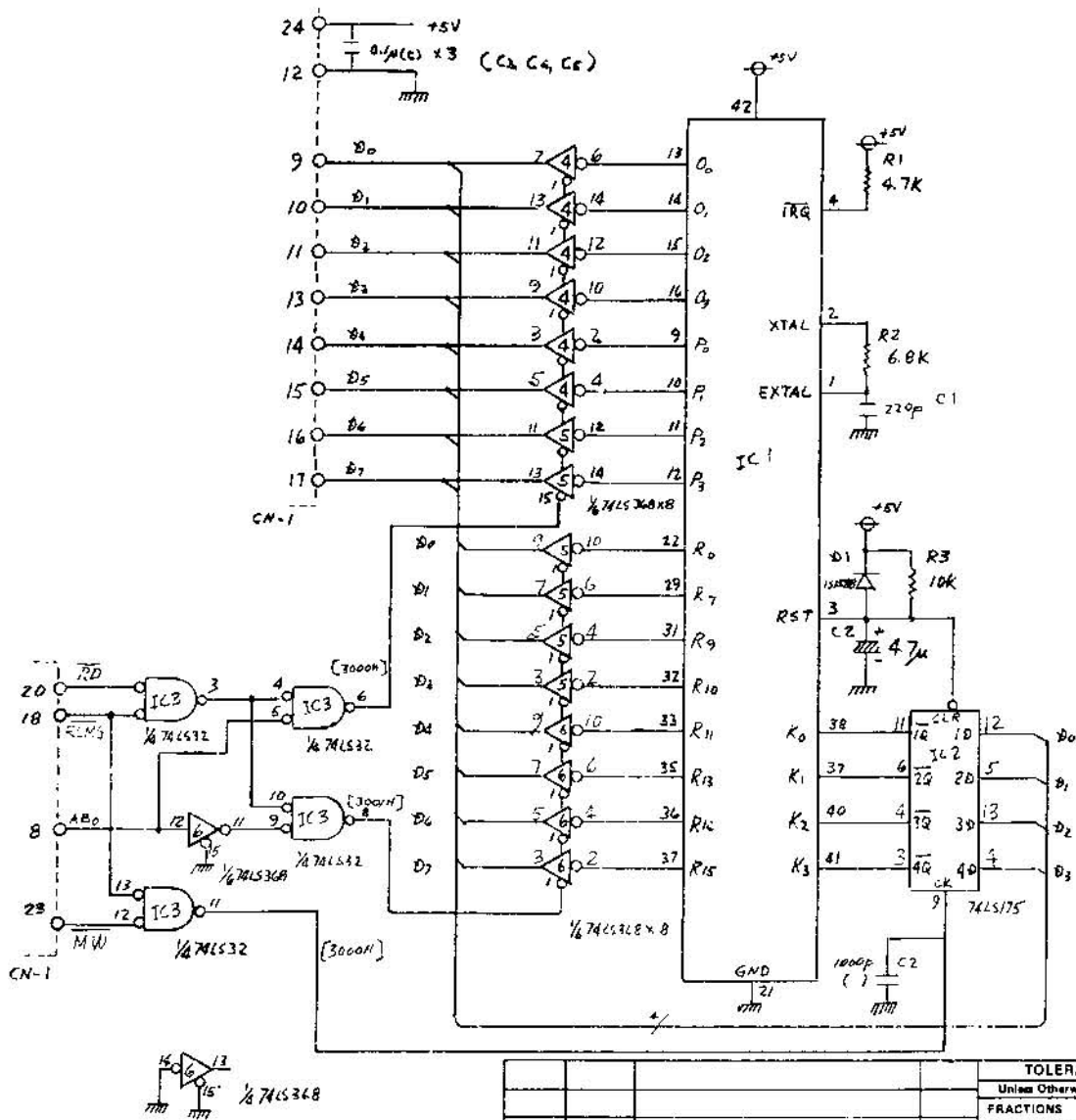
- C1 1W(10-50V E)
- C2 1000P(M)
- C3 27NF(10-50V E)
- C4 1M(10-50V E)
- C5 0.022M(M)

- E: CHEMICAL CONDENSOR
- M: MYLAR CAP.
- R1 47K
- R2 33M
- R3 20K
- R4 47K
- R5 47K
- R6 75K
- R7 100K
- R8 2K
- R9 10K

- NOTE: AY-3-8912 BETWEEN PINS VSS-KCC
0.1MFD CERAMIC CAP 5/16" IN STALLED.



				TOLERANCES		centron		HALEAH, FLORIDA 33014	
				Unless Otherwise Specified		NAME			
				FRACTIONS	± 1/32	SOUND BOARD SCHEMATIC - ROUTE 16			
				DECIMALS 2 PL	± .016	MATERIALS			
				DECIMALS 3 PL	± .006	HEAT TREAT. FINISH			
				HOLES	± .003				
				ANGLES	± 1/2°				
				SMT. MET BENDS	± 2°				
REV. LET.	ECN NO.	REVISION	BY	DWN	APP'D.	DATE	SCALE	PART NO.	REV.
				AAN		3-27-81		366-10-0400	



PART NO	NAME	QTY
IC1	42 PIN	1
IC2	74LS175	1
IC3	74LS32	1
IC4-6	74LS368	3
R1	47K	1
R2	7K	1
R3	10K	1
C1	270P(C) CERAMIC	1
C2	4.7 MFD TANTALUM POLYMER CAP. 15V50V	1
D1	15V50V	1
CN-1	3012-12	2

QC. AP'VD	PRDD. AP'VD	QTY.	ASSEMBLY NO

REV. LET.	ECN NO.	REVISION	BY

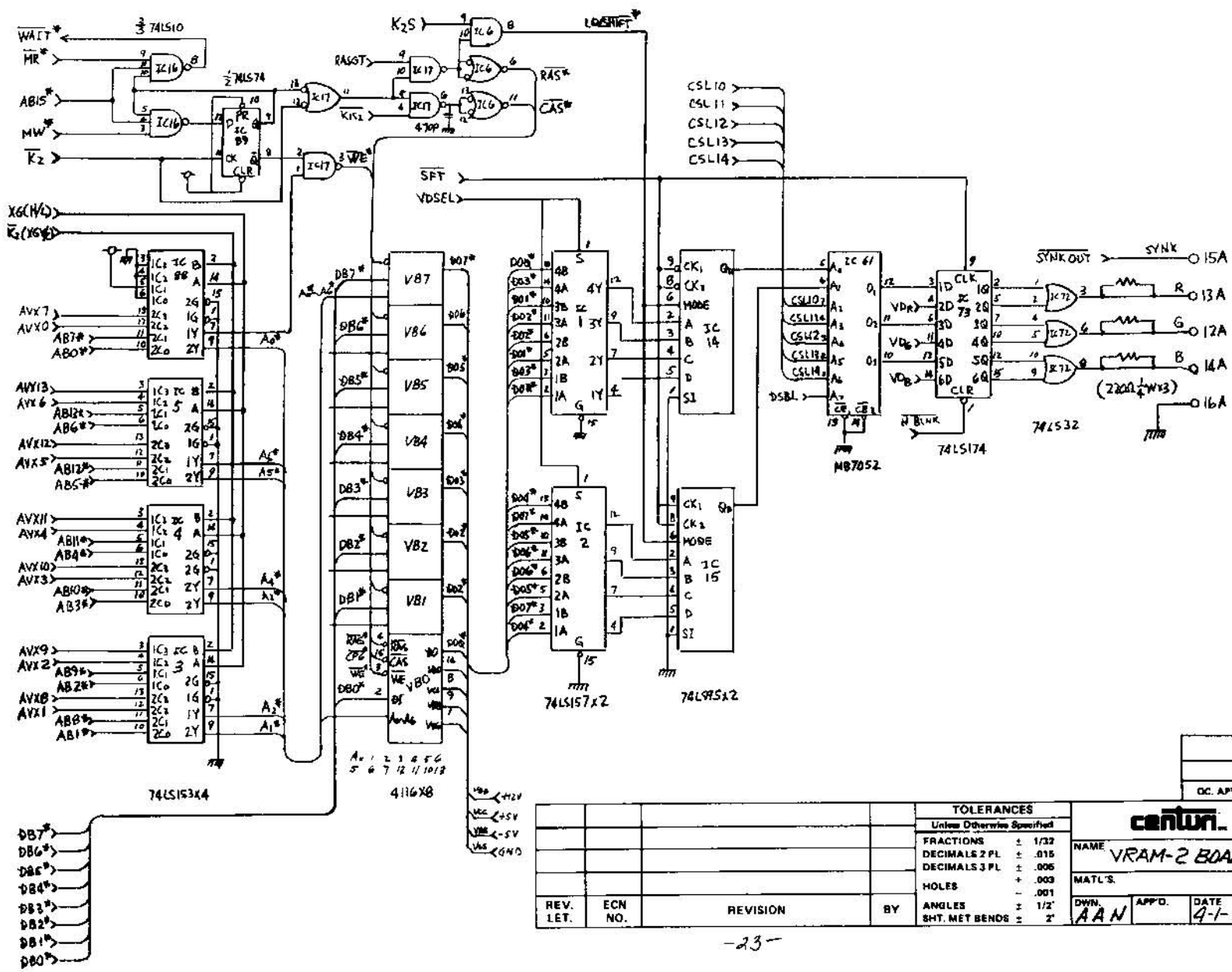
TOLERANCES	
Unless Otherwise Specified	
FRACTIONS	± 1/32
DECIMALS 2 PL	± 0.18
DECIMALS 3 PL	± .006
HOLES	± .003
ANGLES	± 1/2°
SHT MET BENDS	± 2°

centurion HIALEAH, FLORIDA 33014

NAME: **S1 BOARD SCHEMATIC-ROUTE 16**

MAT'L'S. HEAT TREAT. FINISH

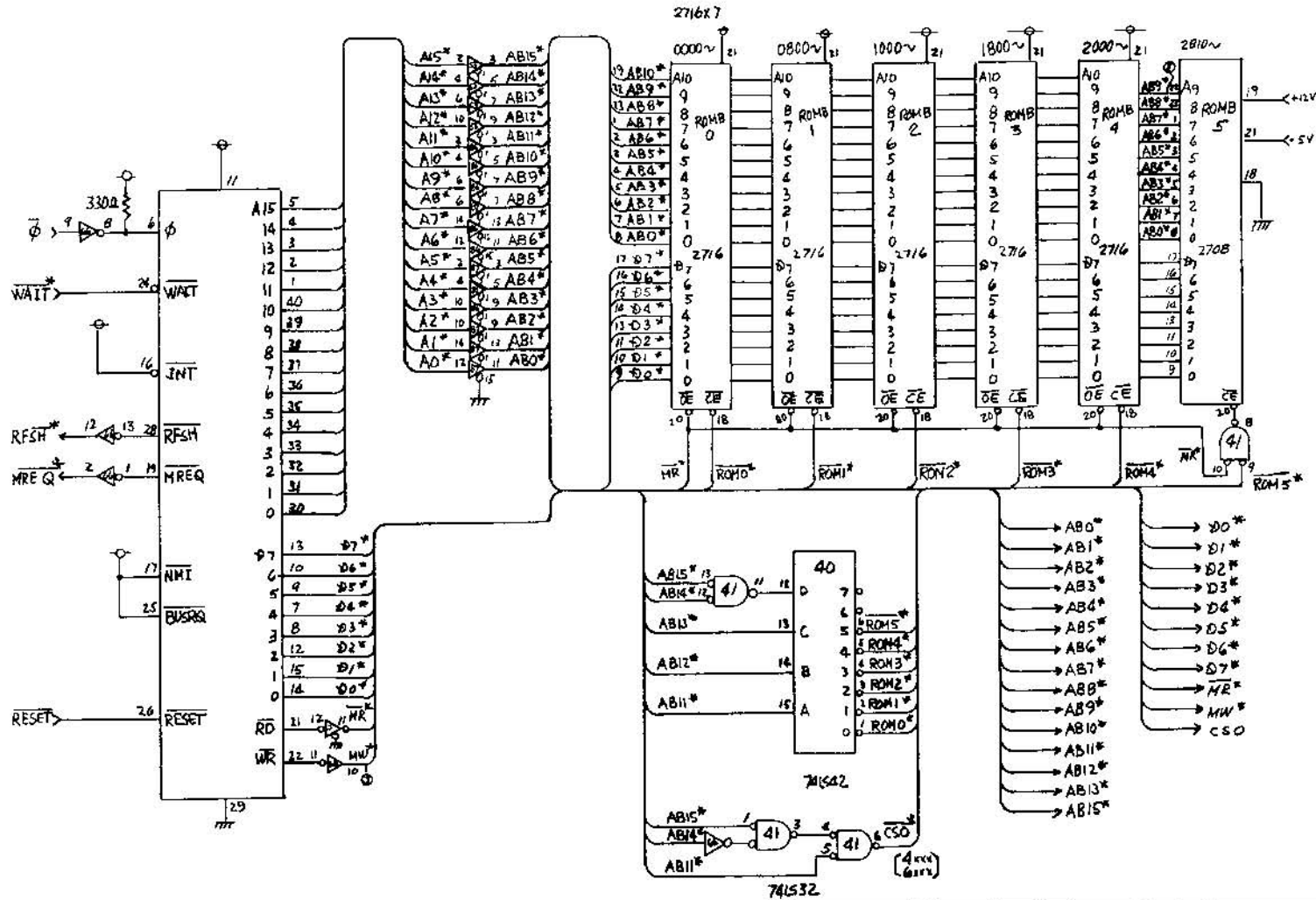
OWN: **AAN** APP'D. DATE: **3-26-81** SCALE: **≡** PART NO: **366-10-0400** REV.



- 74LS08 1
- 74LS153 4
- 74LS157 2
- 74LS95 2
- 74LS74 1
- 74LS174 1
- 74LS10 1
- 74LS00 1
- 4116 8
- MB7052 1
- 74LS32 1
- 470pF CERAMIC CAP 1

DC. AP'VD	PROD. AP'VD	QTY.	ASSEMBLY NO.

REV. LET.	ECN NO.	REVISION	BY	ANGLES	SH.T. NET BENDS	TOLERANCES	 HIALEAH, FLORIDA 33014				REV.			
				± 1/32	± 2"	Unless Otherwise Specified	NAME VRAM-2 BOARD SCHEMATIC - ROUTE 16							
							MAT'L'S							
							HEAT TREAT.							
							FINISH							
							DWN. AAN		APP'D.		DATE 4-1-81	SCALE	PART NO. 366-10-0400	



- 74LS42 1
- 74LS367 3
- 74LS32 1
- 74LS04 1
- 2716 [5]
- 2708 [1]
- 280 2

330Ω 1/4W 1

QC. AP'VD	PROD. AP'VD	QTY.	ASSEMBLY NO

TOLERANCES				centur.					
Unless Otherwise Specified				HIALEAH, FLORIDA 33014					
FRACTIONS	±	1/32	NAME CPU-2 BOARD SCHEMATIC-ROUTE 16	MATERIALS		HEAT TREAT.		FINISH	
DECIMALS 2 PL	±	.016		DATE		SCALE		PART NO.	
DECIMALS 3 PL	±	.006		3-25-81		3/8"		366-10-0400	
HOLE	±	.003	ANGLES	±	1/2"	REV.			
SHY. MET BENDS	±	2°	REV. LET.	ECN NO.	REVISION	BY			