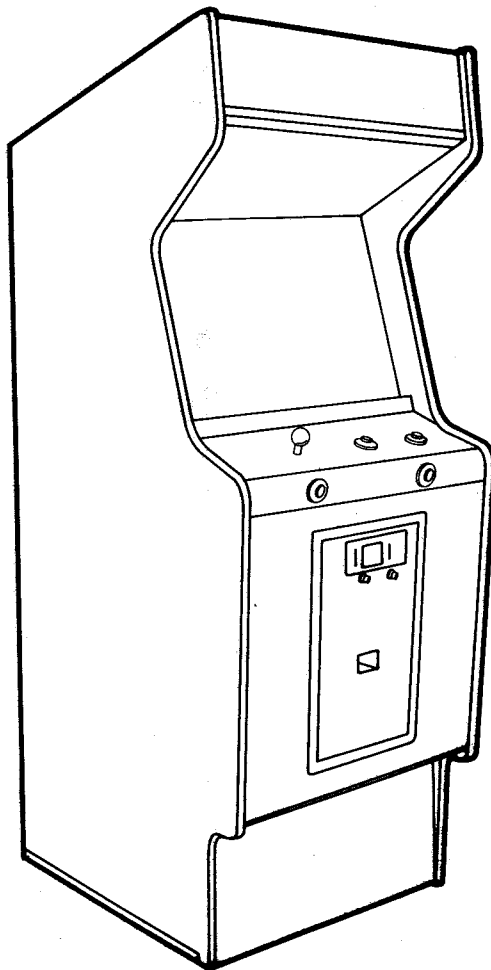


SEGA

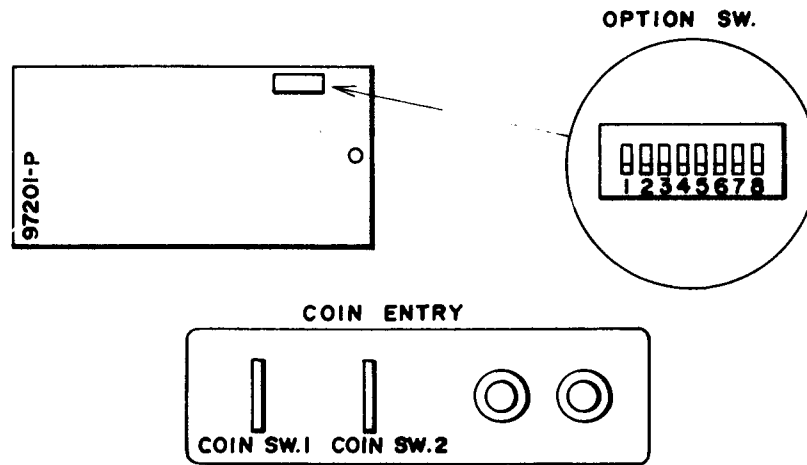
n - SUB

Service Manual & Parts Catalog



SEGA ENTERPRISES LTD.

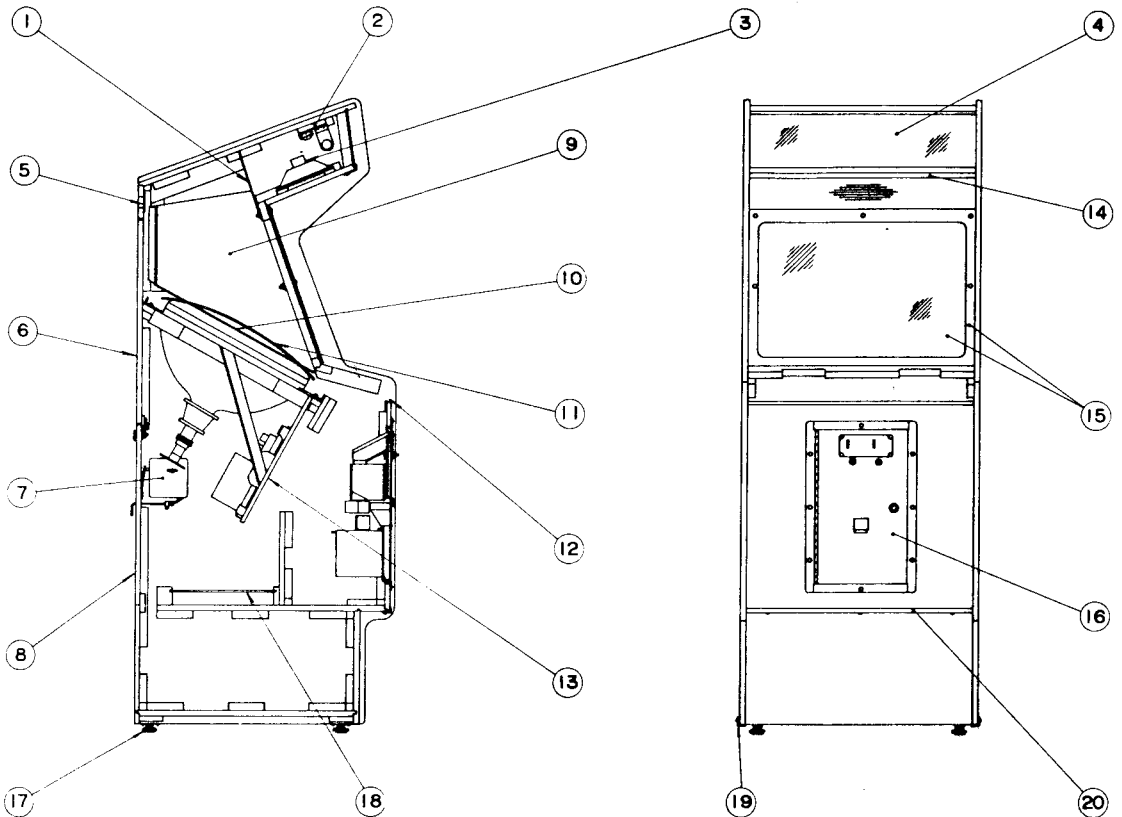
3. IC Board (97201-P) Adjustments Coin Calculator



		ON: 0 OFF: X							
		OPTION							
		1	2	3	4	5	6	7	8
COIN SW. 1	1 Coin 1 Play	0	X	X					
	2 Coins 1 Play	X	0	X					
	3 Coins 1 Play	0	0	X					
	4 Coins 1 Play	X	X	0					
	5 Coins 1 Play	0	X	0					
	6 Coins 1 Play	X	0	0					
	7 Coins 1 Play	0	0	0					
COIN SW. 2	1 Coin 1 Play	0	X	X					0
	2 Coins 1 Play	X	0	X					0
	3 Coins 1 Play	0	0	X					0
	4 Coins 1 Play	X	X	0					0
	5 Coins 1 Play	0	X	0					0
	6 Coins 1 Play	X	0	0					0
	7 Coins 1 Play	0	0	0					0
COIN SW. 2	1 Coin 1 Play				0	X	X	X	
	1 Coin 2 Plays				X	0	X	X	
	1 Coin 3 Plays				0	0	X	X	
	1 Coin 4 Plays				X	X	0	X	
	1 Coin 5 Plays				0	X	0	X	
	1 Coin 6 Plays				X	0	0	X	
	1 Coin 7 Plays				0	0	0	X	

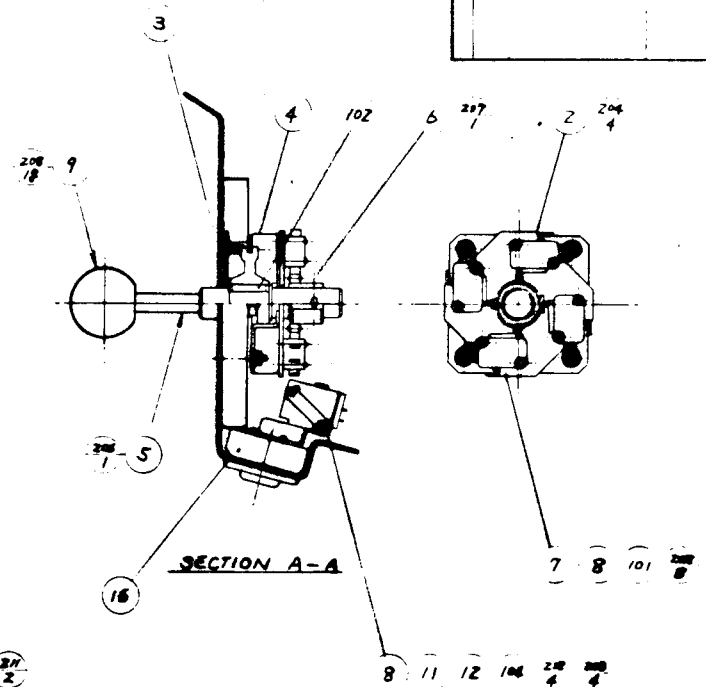
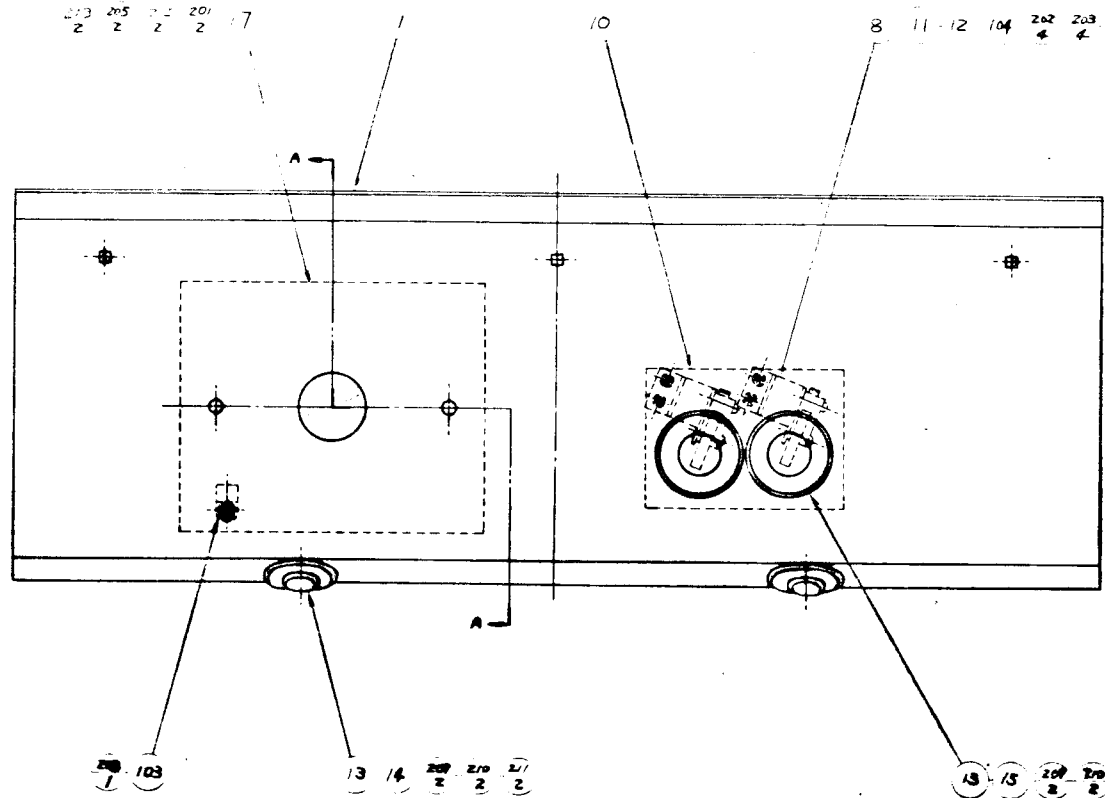
NOT USED

Cabinet Accessory Assy

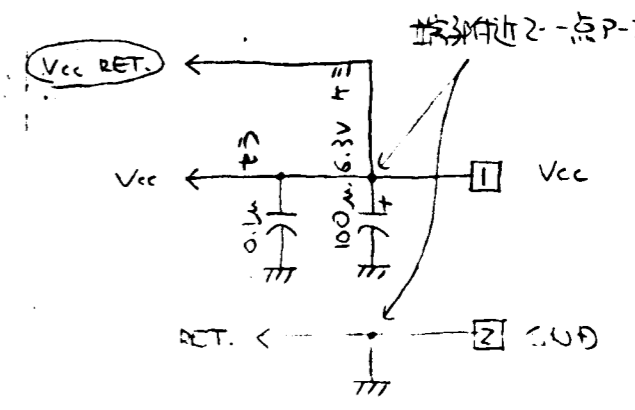
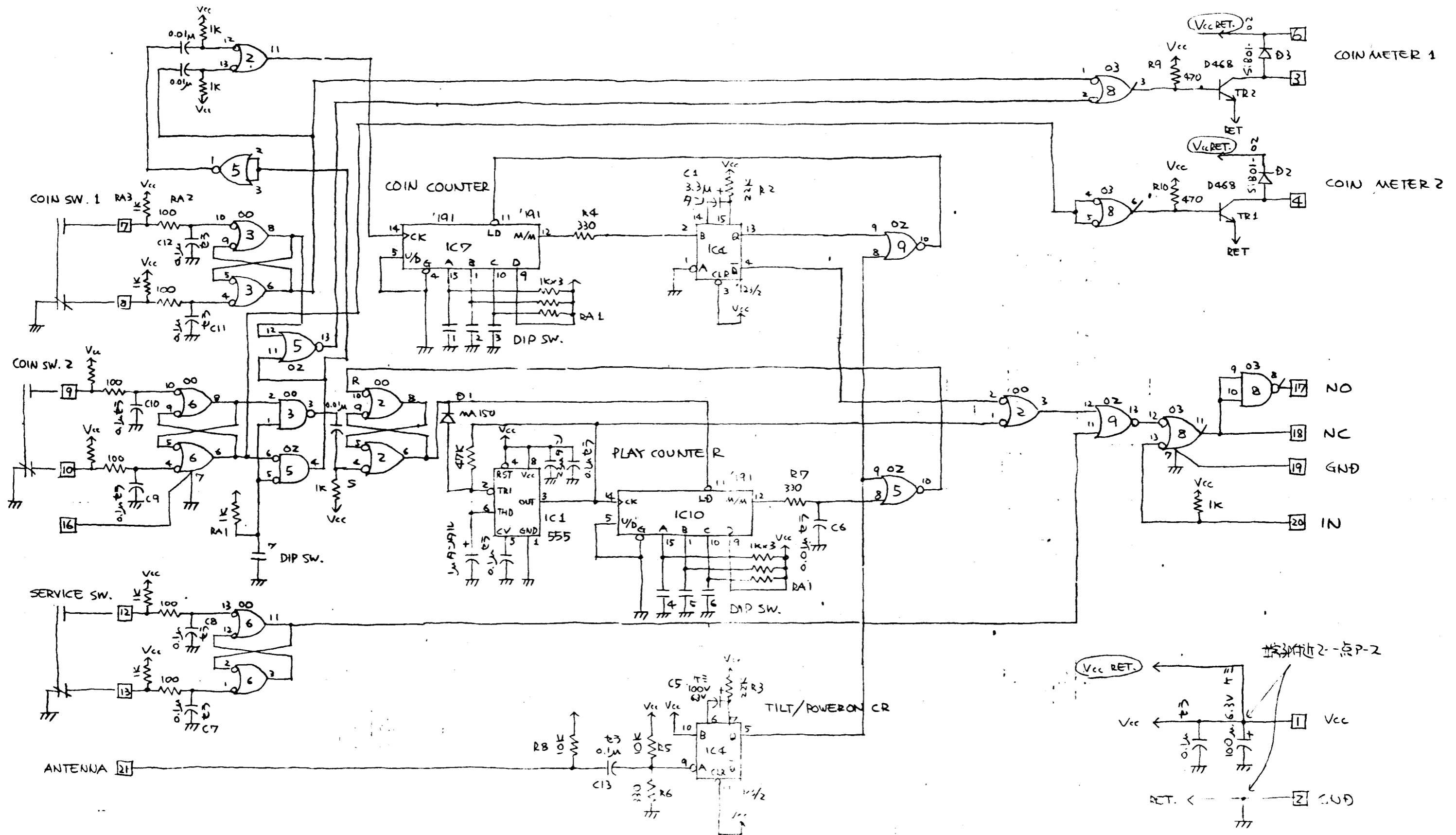


- 1 MR-1015 Light Baffle
- 2 NS-1039 FLUORESCENT LIGHT ASSY,15W
S-90201 Fluorescent Light,15W
- 3 MR-1009 Speaker Guard Plate
S-97336 Speaker,230 x 150mm,8Ω,6W
- 4 NS-1028 Top Panel
- 5 TA-1065X Nut Plate
PT-0015 Net
- 6 MR-1002 Back Door,Upper
- 7 MR-1019 JUNCTION BOX ASSY
NS-1037 JUNCTION BOX ASSY,200~240V
(See Page 14 for Detail)
- 8 NS-1038 Back Door,Lower
- 9 NS-1034 Scenery,Right
NS-1035 Scenery,Left
- 10 NS-1033 Scenery,Rear
- 11 MR-1024 TV Mask
- 12 MR-1005 Trim,Upper
- 13 97232-P CCLOR DISPLAY ASSY,20TYPE,120V
97397-P CCLOR DISPLAY ASSY,20TYPE,100V
- 14 MR-1007 Ornament Frame
- 15 MR-1013 Window Panel
- 16 MR-1014 Bezel Frame
MR-1200 COIN CHUTE DOOR & CASH BOX ASSY
(See Page 16 for Detail)
- 17 M-163-4(L) Leg Adjuster
Leg Adjuster Bracket
- 18 97399-P-16 IC BOARD ASSY, N-SUB
- 19 NS-1036 Corner Protector
- 20 MR-1006 Trim,Lower

NO. 112	REV. 1
DATE 10-17-57	BY J. W. J.



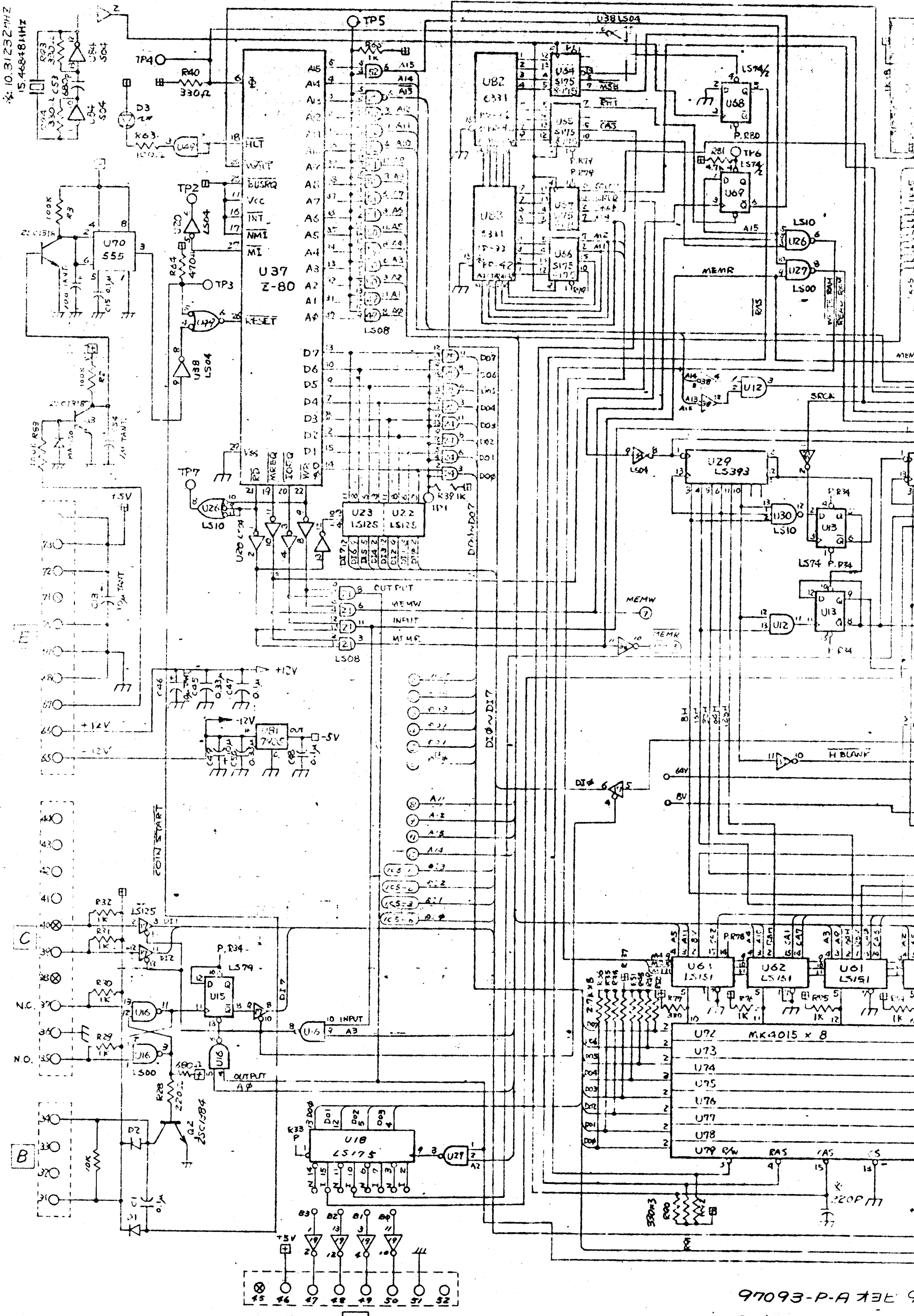
SECA ENTERPRISES LTD.		THIS DRAWING SHALL IN NO WAY BE COPIED OR REPRODUCED WITHOUT PERMISSION	
LIMITS UNLESS OTHERWISE SPECIFIED		DIM. & AT. DIM. DR. & V. SCALE 1/2 DIM. IN.	APP. [Signature] ASS. [Signature] CK. [Signature] DR. [Signature]
INTERNAL	HEAT TREAT	FINISH	REMARK



ISSUE
1981. 2. 19
P.ENG. DEPT.
SEGA

△ C9 0.01VOID
△ 1/17-30
15/22-30
11/22-30

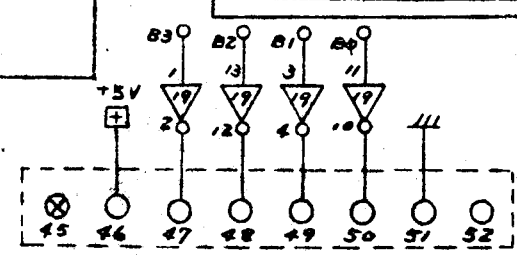
97201-P COIN CALCULATOR, LOGIC DIAGRAM



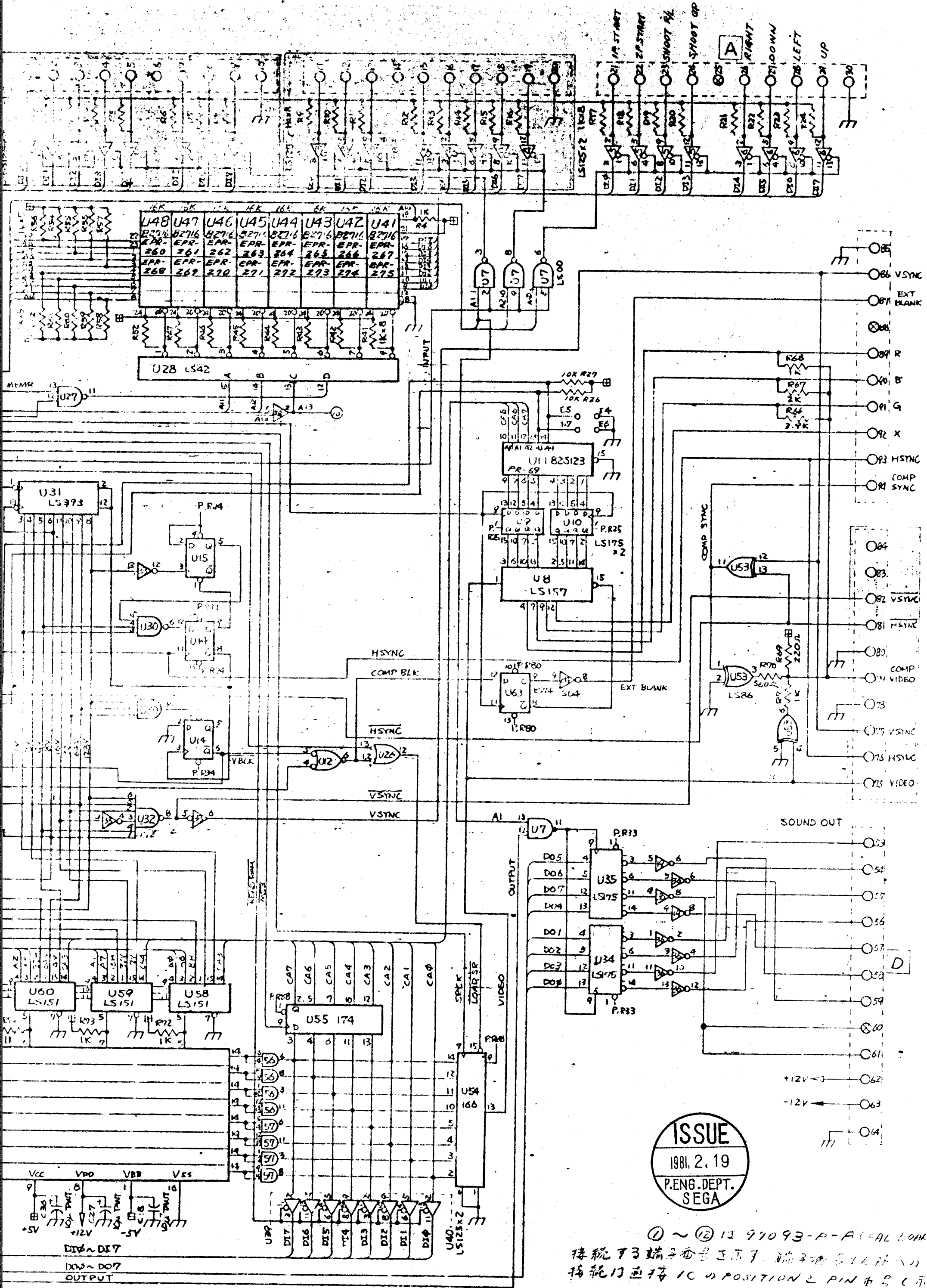
* 10.31232MHZ
15.46848MHZ

C
39
38
37
36
35
34
33
32
31
30
29
28
27
26
25
24
23
22
21
20
19
18
17
16
15
14
13
12
11
10
9
8
7
6
5
4
3
2
1
N.C.
N.O.

B
33
32
31
30
29
28
27
26
25
24
23
22
21
20
19
18
17
16
15
14
13
12
11
10
9
8
7
6
5
4
3
2
1
N.C.
N.O.



Chip	Type	A0	A1	A2	A3	A4	A5	A6	A7	D0	D1	D2	D3	D4	D5	D6	D7
U72	MKA015 x 8	2	3	4	5	6	7	8	9	10	11	12	13	14	15	16	17
U73		2	3	4	5	6	7	8	9	10	11	12	13	14	15	16	17
U74		2	3	4	5	6	7	8	9	10	11	12	13	14	15	16	17
U75		2	3	4	5	6	7	8	9	10	11	12	13	14	15	16	17
U76		2	3	4	5	6	7	8	9	10	11	12	13	14	15	16	17
U77		2	3	4	5	6	7	8	9	10	11	12	13	14	15	16	17
U78		2	3	4	5	6	7	8	9	10	11	12	13	14	15	16	17
U79	RAM	2	3	4	5	6	7	8	9	10	11	12	13	14	15	16	17



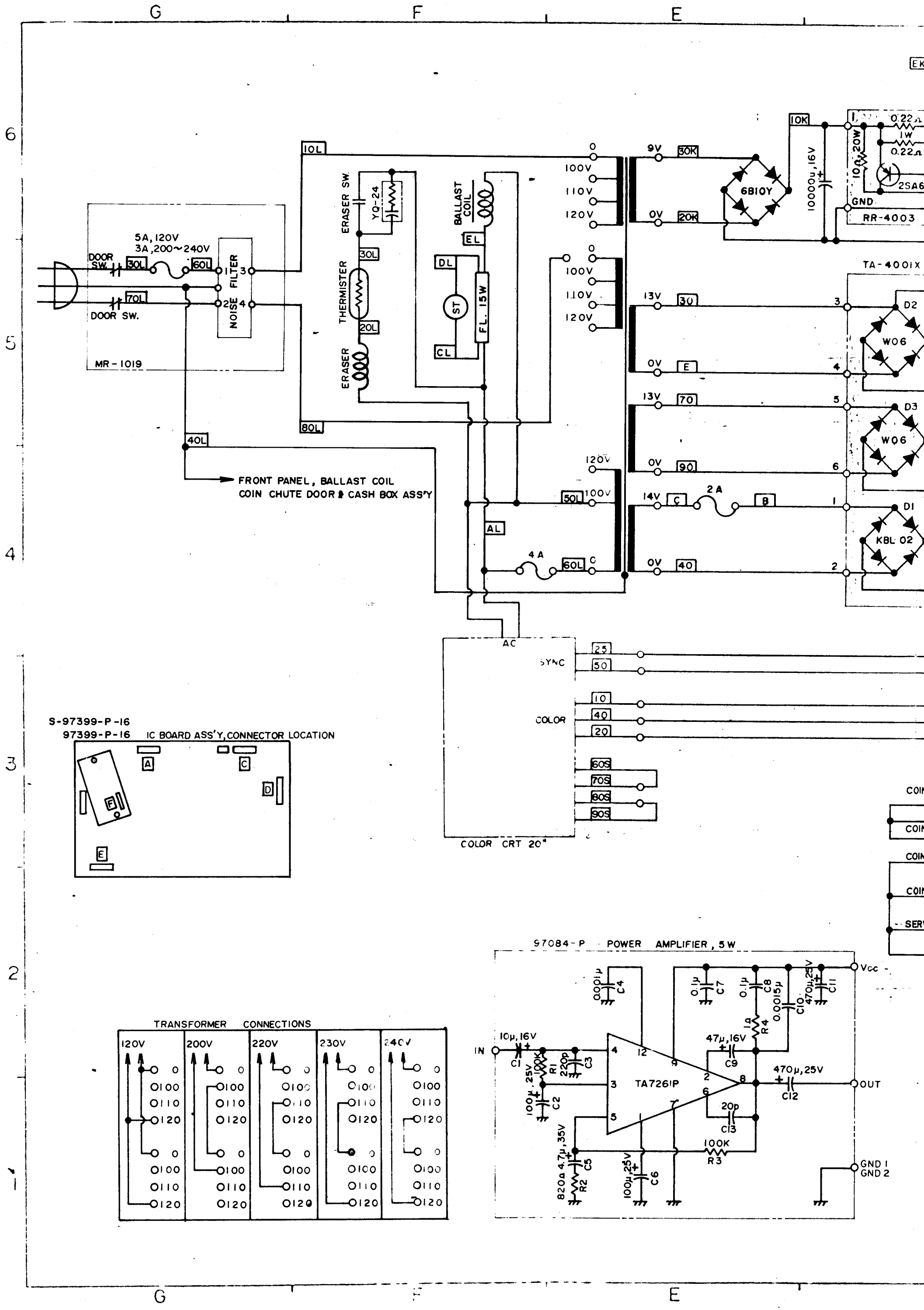
ISSUE
1981. 2. 19
P.ENG.DEPT.
SEGA

① ~ ⑫は 97093-P-A (PAL BOARD) に
接続する端子番号を示す。端子番号は IC の
接続位置 IC の POSITION と PIN 番号 (示す)

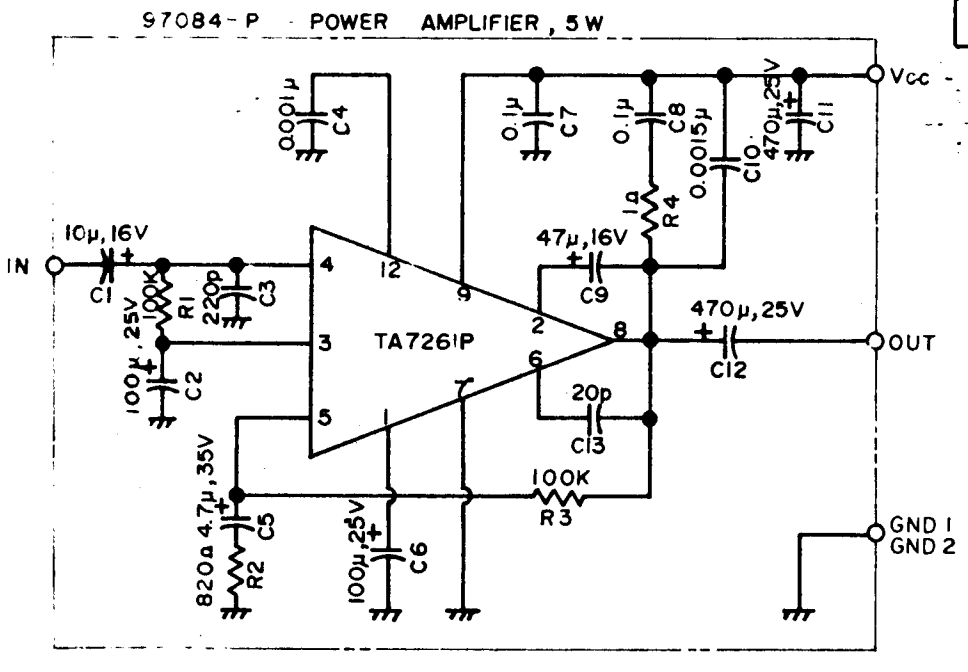
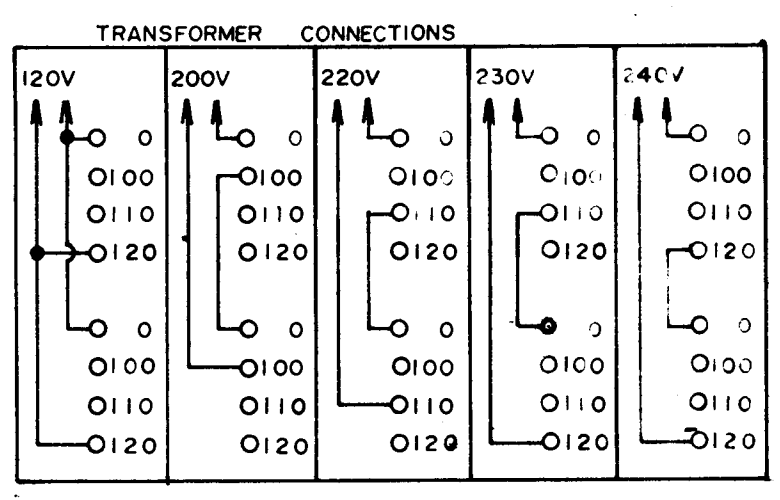
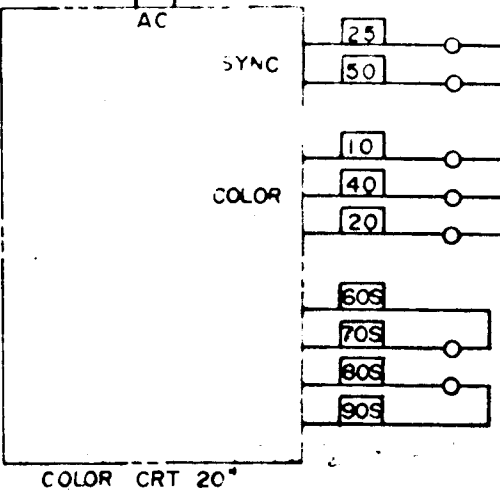
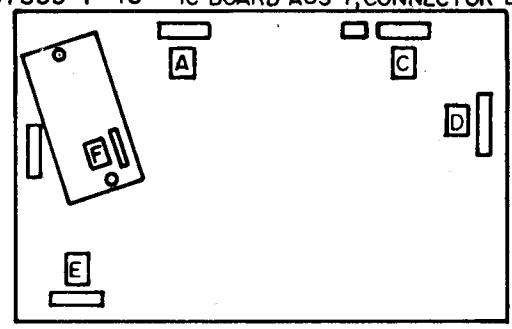
97394-P-16 (W/PAL) (EPR-260~EPR-267)
97399-P-16 (W/O PAL) (EPR-268~EPR-275)

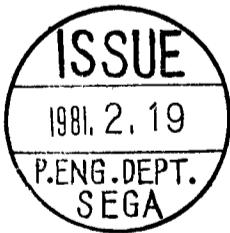
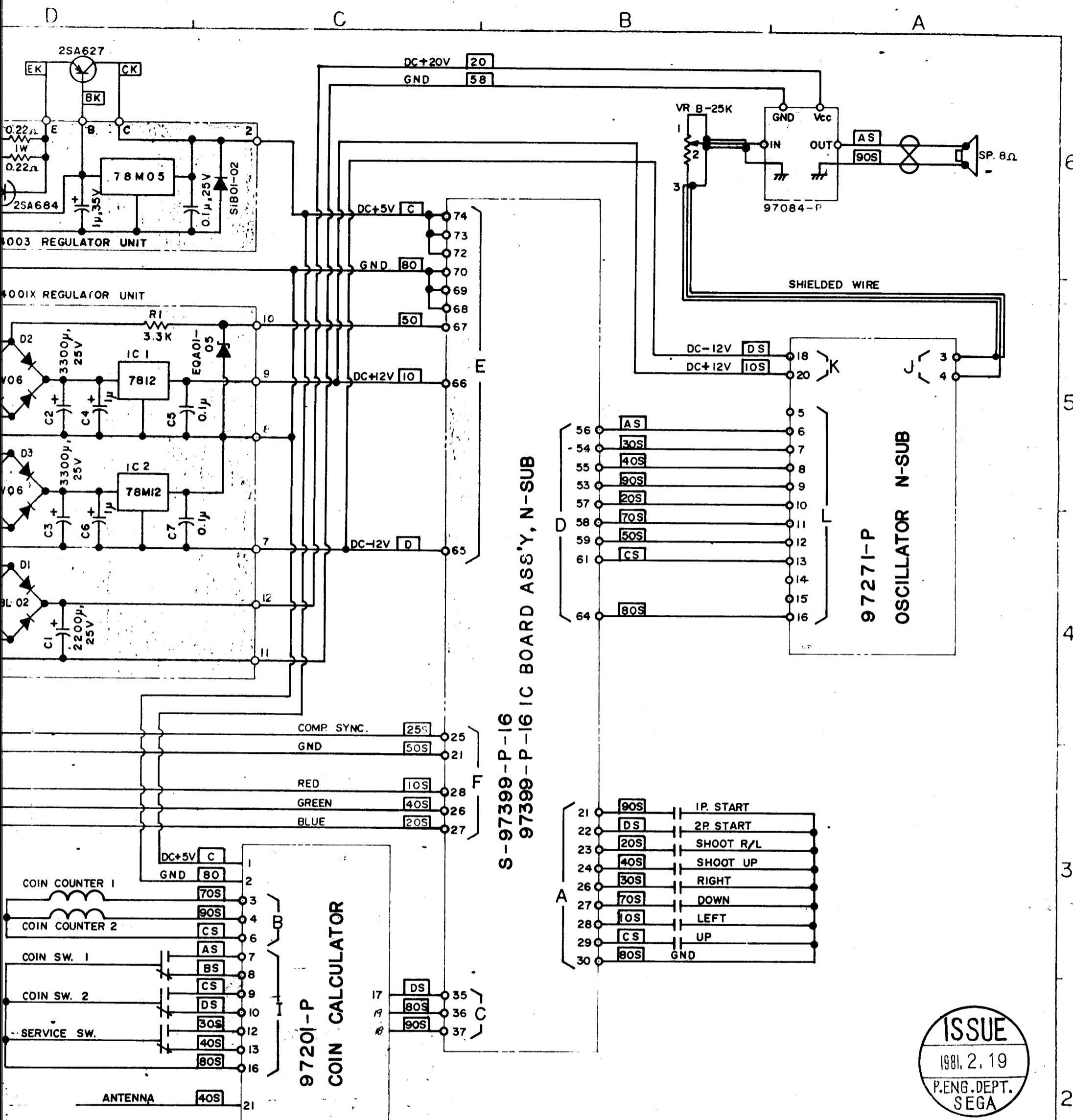
IC BOARD ASSY, N-SUB (UPRIGHT MODEL)

97269-P-B (配線) INST. NO. 407
INSTRUCTIONS, N-SUB = 31L.



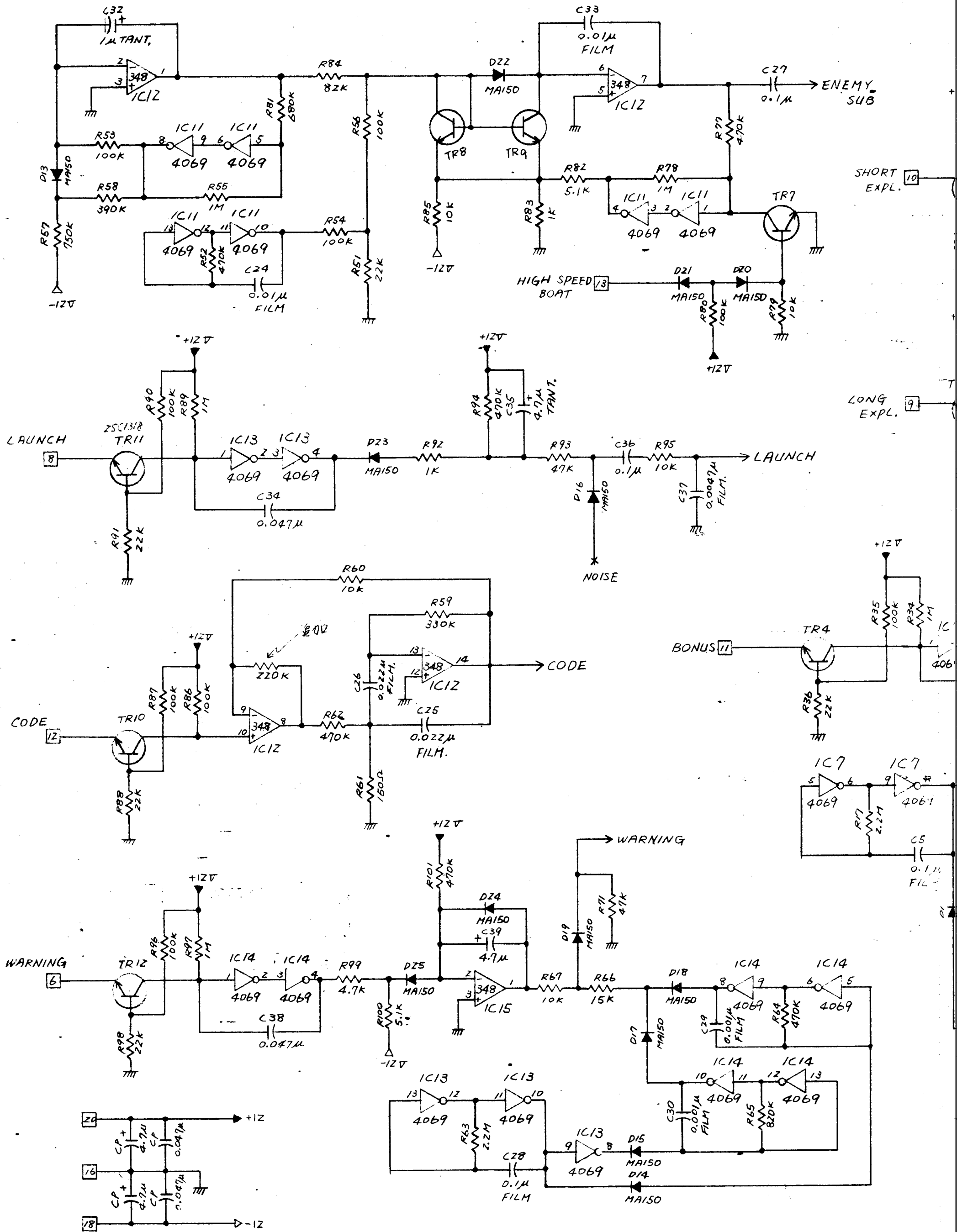
S-97399-P-16
97399-P-16 IC BOARD ASS'Y, CONNECTOR LOCATION





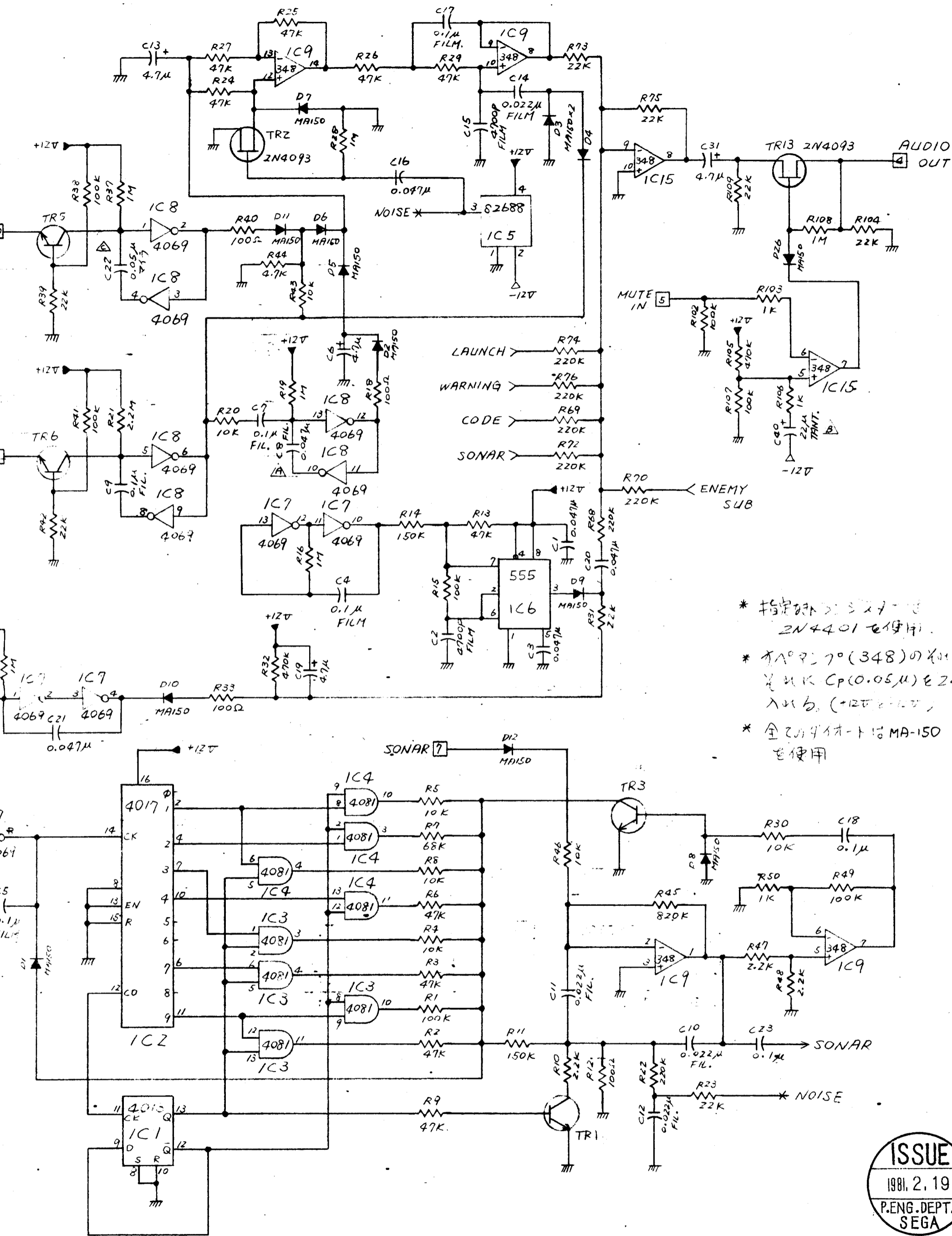
VOLTAGE	110-120V/200-240V	100V		CIRCLE IN THE SWITCH SYMBOLS INDICATES OPERATION BY A MOTOR
STAND-BY	W	140W		
MAXIMUM	USA 140W/1A/140V			MAKE AND BREAK SWITCH
POWERS				
9 8 7 6 5 4 3 2 1	POWER CONSUMPTION			NORMALLY CLOSED SWITCH OPEN WHEN ENERGIZED
	K KING WIRE (TO BE)			
	L LARGE WIRE			
	J JUMPER WIRE			
	I LIGHT GREEN			
	H PURPLE			
	G BROWN			
	F SKY BLUE			
	E PINK			
	D GRAY			
C BLACK			NORMALLY OPEN SWITCH CLOSED WHEN ENERGIZED	
B CHANGE				
A MAROON		SWITCH SYMBOLS		
APR		ASS	1/12-80	
CKD		CKD	1/12-80	
DRW		DRW	1/12-80	
WIRE COLOR CODE			SGB-2844	
DESCRIPTION			T W C CHART NO	
SEGA N-SUB			381-1	
			SCHEMATIC DIAGRAM NO	

SEGA N-SUB (100-240V) (50-60HZ) 381-1



97271-P

OSCILL



- * 指定値より27%の
2N4401を使用
- * 入力抵抗70(348)の
1/2μK Cp(0.05μ)を24
入出力(-12Vと+12V)
- * 全2N4401は100%
を使用

ISSUE
1981. 2. 19
P.ENG.DEPT.
SEGA

△ C22 WAS 27 1/2-80
△ C40 WAS 43 1/2-80
△ C8 WAS 23 1/2-80

10. 14 1981
10/8-80
10/12-80

LLATOR N-SUB