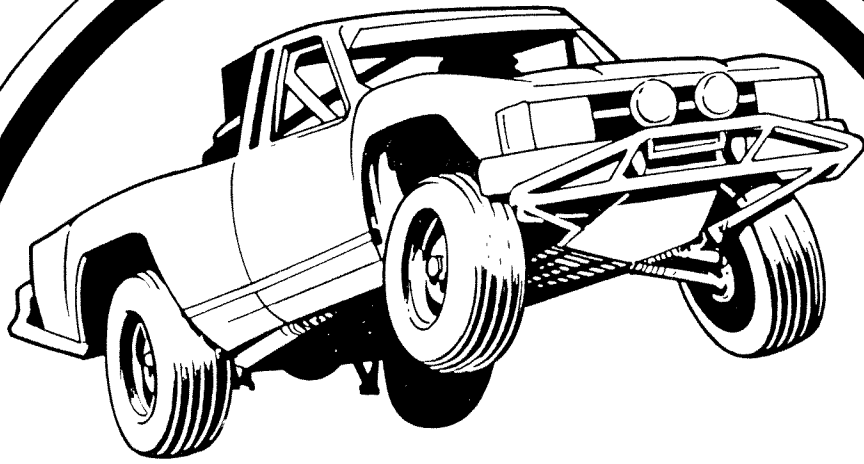


IRONMAN

Ivan Stewart's[®]



OFF ROAD™

Leland
CORPORATION

OWNERS MANUAL



FOREWARD

Welcome to the growing group of value conscious people who operate LELAND CORPORATION products. We are proud of the advanced engineering and quality of each game we build.

We invite you to read through this Owner's Manual. It is designed to acquaint you with the features of your new "Ivan 'Ironman' Stewart's SUPER OFF-ROAD" and to help you enjoy many miles/quarters of motoring/earning pleasure.

When it comes to service, remember that your authorized Leland distributor knows your game best and is interested in your complete satisfaction. He will provide quality parts, service, and any other assistance you may require.

THE LELAND CORPORATION

Please leave the Owner's Manual in this game at the time of resale. The next owner will need this information also.

All information and specifications in this manual are current at the time of printing. However, because of The Leland Corporation's policy of continual product improvement, we reserve the right to make changes at any time without notice.

NON-LELAND REPLACEMENT PARTS NOTICE

The Leland Corporation recommends the use of only Leland Corp. parts when replacing any malfunctioning component or assembly in your video amusement machine. For safety and reliability, The Leland Corp. does not recommend or authorize any substitution parts or modifications of Leland equipment. Such alterations may adversely affect game play or cause serious injury, and will void your warranty. Unauthorized parts and/or modifications may also void FCC compliance.

FCC WARNING

This equipment generates, uses, and can radiate radio frequency energy and if not installed in accordance with the Owner's Manual, may cause interference to radio communications. It has been tested and found to comply with the limits for a class "A" computing device pursuant to subpart "J" of part 15 of the FCC rules, which are designed to provide reasonable protection against such interference when operated in a commercial environment. Operation of this equipment in a residential area is likely to cause interference, in which case the user, at his own expense, will be responsible to correct the interference.

**"Ivan IRONMAN Stewart's
SUPER OFF-ROAD™
 TABLE OF CONTENTS**

SECTION	PAGE
A. GENERAL GAME INFORMATION	
1. Game Concept	1
2. Assembly Instructions	2
3. Warranty Information	4
4. Maintenance and Upkeep Procedures	5
C. THE TROUBLESHOOTISTS SECTION	
1. A Note About Power	6
2. Our Service Department	6
3. Troubleshooting Flow Chart	7
4. General Shooting	8
5. Monitor Shooting	8
6. Buffers	8
7. About Mechanical Coin Counters	9
D. ILLUSTRATED PARTS LIST	
1. Cabinet	10
2. Controls (buttons, foot pedals, steering wheels, etc.)	11
E. WIRING DIAGRAMS	
1. Main Board	12
2. Multi-Function Board	14
3. Cabinet	16
F. BOOKKEEPING AND DIAGNOSTICS SECTION	
1. Main Menu - Bookkeeping - Diagnostics Menu	17
2. Video Alignment Screens	21
3. Game Set-Up - Game Statistics	23
E. SCHEMATICS & BOARD LAYOUTS	
1. Multi-Function Board Layout (top board)	27
3. Multi-Function Board Schematics	28
4. Main Board Layout (bottom board)	38
5. Main Board Schematics	39
6. 25" Wells Gardner Monitor	58

**"Ivan IRONMAN Stewart's
SUPER OFF ROAD"™
GAME CONCEPT**

In his never ending quest for adventure and excitement, man invented off-road racing. These races were then brought before the masses by converting huge sports stadiums into dirt and mud obstacle courses in which off-road "Ironmen" battled for top honors.

Now **THE LELAND CORPORATION** brings this fast moving, hard driving sport to the video game arena.

"Ivan IRONMAN Stewart's SUPER OFF-ROAD"™ is stadium off-road racing at it's best. One to three players are asked to test their dirt track skills against the best dirt truck driver in the world.

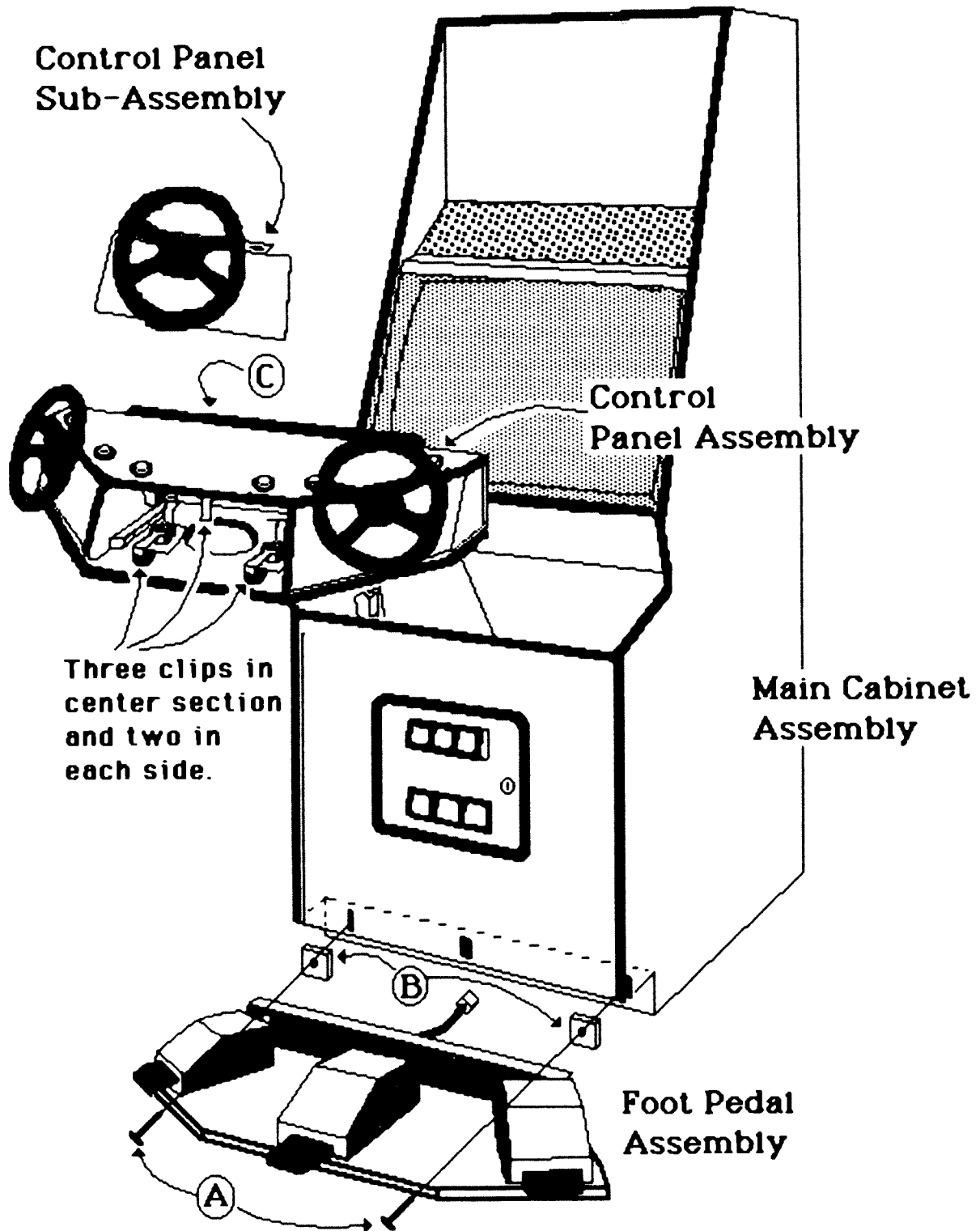
Contestants compete on 8 different tracks with a total of 16 configurations and these courses are packed with enough jumps, bumps, hills, and holes to challenge even the most skillful driver.

Winning drivers earn "cash" prizes, and use this "cash" to "buff out" their machines. At the end of each race, players take their trucks to the "Speed Shop" to buy better shocks, tires, engines, and higher top speed. They can also buy nitro packs to help them blast over the jumps and through the mud.

The **"Convert-a-Credit"™** feature allows drivers to add to their winnings by using credits as "cash". Each additional quarter, when converted, becomes \$200,000.00 in game "cash" and this additional "cash" may be used for purchases in the "Speed Shop".

Team Leland's **"Ivan IRONMAN Stewart's SUPER OFF-ROAD"™** has the depth and variety to be an income 'winner' for years to come.

"Ivan IRONMAN Stewart's
SUPER OFF-ROAD"™
CABINET ASSEMBLY ILLUSTRATION



ASSEMBLY INSTRUCTIONS

1. Remove all parts from shipping containers and check them for damage. Notify your distributor (and the shipper) **Immediately** if you find any broken parts.
2. Detach and remove the pedal assembly from the inside of the main cabinet. Remove the two bolts **(A)** and blocks **(B)** from the bottom front of the main cabinet.
3. At this point, it is a good idea to lift the monitor plex and clean or dust from the monitor any debris which may have settled in shipment.
4. Remove the center (yellow) steering section from the control panel assembly by reaching through the hole in the bottom of the assembly and unfastening the three clips inside. Attach the monitor plex retainer **(C)** to the control panel assembly. (The wing nut should be loose until the control panel assembly has been attached to the game cabinet.)
5. Position the control panel with the harness connectors hanging into the main cabinet and secure the panel to the main cabinet by reaching through the front door and attaching the four clips provided.
6. Connect the control panel harness to the main harness, tighten the wing nut on the monitor plex retainer and reinstall the center steering section.
7. Feed the pedal harness through the center hole in the lower part of the cabinet and attach the pedal assembly using the bolts **(A)** and blocks **(B)** removed in step 2. **REMOVE THE PEDAL ASSY. WHEN TRANSPORTING THE GAME.**
8. Check through the cabinet for loose wires. Plug the game in and power-up. Check for smoke.
9. Go through all diagnostics and game set-up procedures and **PLAY THE GAME**. If it works - don't fix it, just get it out there and
Do it in the dirt!

Please call our Customer Service Department with any questions or comments.

THE LELAND CORPORATION WARRANTY

The Leland Corporation warrants that whenever the video display (monitor) and/or the power supply and/or the printed circuit boards and/or all parts contained therein are furnished with its product, that such part or parts will be free from all defects in materials and workmanship for a period of sixty (60) days from the date of shipment. The Leland Corporation's warranty of above parts is subject to the normal use and service of its product. No other products or parts thereof are warranted. If the products described in this manual fail to conform to this warranty, The Leland Corporation's sole liability shall be, as mutually agreed, to replace or repair such products which are returned to The Leland Corporation during stated warranty period, provided:

- A. The Leland Corporation is notified *in writing* upon discovery by the buyer that said products are defective.
- B. The defective product or part is returned *pre-paid* to The Leland Corporation's plant with a Leland Corp. Returned Merchandise Authorization (RMA) number clearly visible on the outside of the package.
- C. The Leland Corporation's examination of the returned product(s) or part(s) determines, to our satisfaction, that the alleged defects existed and were not caused by accident, misuse, neglect, alteration, improper repair, installation, or testing.

The Leland Corporation is not responsible for bent pins on ICs not installed by our employees. In no event shall The Leland Corporation be liable for loss of profits, loss of use, or incidental or consequential damages.

EXCEPT FOR THIS WARRANTY, THE LELAND CORPORATION DISCLAIMS ALL OTHER WARRANTIES, EXPRESSED OR IMPLIED, INCLUDING THE IMPLIED WARRANTIES OF MERCHANTABILITY AND FITNESS FOR A PARTICULAR PURPOSE, AND ALL OTHER OBLIGATIONS OR LIABILITIES ON THE LELAND CORPORATION'S BEHALF, AND IT NEITHER ASSUMES NOR AUTHORIZES ANY OTHER PERSON TO ASSUME FOR THE LELAND CORPORATION ANY OTHER LIABILITIES IN CONNECTION WITH THE SALE OF PRODUCTS MANUFACTURED BY THE LELAND CORPORATION.

MAINTENANCE AND UPKEEP PROCEDURES FOR
"Ivan IRONMAN Stewart's
***SUPER OFF-ROAD*™**
BY THE LELAND CORPORATION

Any off-road driver will tell you that, without a Pit Crew, he might as well not have a truck. The same is true of your Super Off-Road game. If you don't keep up with your "Pit Crew" responsibilities, your game's performance will suffer drastically.

A dirty or improperly adjusted monitor, a sticky coin mech, or poorly adjusted player controls are all suspect when a drop in revenue is noticed.

The following are recommended standard procedures when servicing your machine:

1. Every collection -
 - a. Make sure the cabinet and especially the control panel are clean and free of gum, grease, and dirt.
Play the game. Check the steering wheels, foot pedals, and buttons for proper adjustment and operation. (See the Buttons and Controls test in the Diagnostics section.)
NOTE: Be sure to adjust, clean, or replace any marginal switches. One drop of oil or graphite will keep steering wheels from squeaking.
 - c. Clean and adjust the monitor so that the picture is "rich" and inviting.

2. Once a month -
 - a. Check the inside of the cabinet for dirt and dust.
HINT: Carry a portable "Dustbuster" type vacuum.
 - b. See that all connectors are properly seated.
 - c. Be sure that the power supply is up to snuff. (Refer to "A Note About Power" for proper settings.)
Go through all diagnostic functions to insure proper operation and inspect game settings.

At first these steps may seem cumbersome or excessive but when viewed with respect to the income generated by a clean, well-maintained machine, as opposed to the income lost by a dirty, "trashed" game, the benefit of spending those few extra minutes will be seen as a wise investment.

THE TROUBLESHOOTIST'S SECTION

A NOTE ABOUT POWER

DC POWER

The computer board in this machine operates most efficiently when the power supply is providing a steady + 5.20VDC (+0.1VDC). When checking DC power always put your leads across the power inputs on the main board and be sure that the +5 volt supply is between +5.20VDC and +5.24VDC. Also be sure that there is less than .005 volts AC riding on the +5 volt line. If you do find AC on the DC line, suspect the filter capacitor or the rectifier on the power supply. Low voltage and AC on the DC lines are the main causes of the following problems:

- * "Garbage" on the screen.
- * Computer "Freeze".
- * Coin or Coin Meter malfunction.
- * A variety of seemingly unrelated problems.

AC POWER

Connect this game only to a grounded three-wire outlet which provides between 108 and 132 volts AC. If you have only a two-wire outlet we recommend that you hire a licensed electrician to install a grounded outlet. The possibility exists that players may receive an electrical shock if this system is not properly grounded.

OUR SERVICE DEPARTMENT

For parts, service, and technical information first contact your authorized Leland Corporation distributor. For additional technical aid feel free to contact the Leland Corp. Customer Service Department at **(619)562-7000** Monday through Friday from **8:00 AM to 5:00 PM Pacific Standard Time.**

To provide you with the quickest possible response to your questions, please have the following information ready when you call:

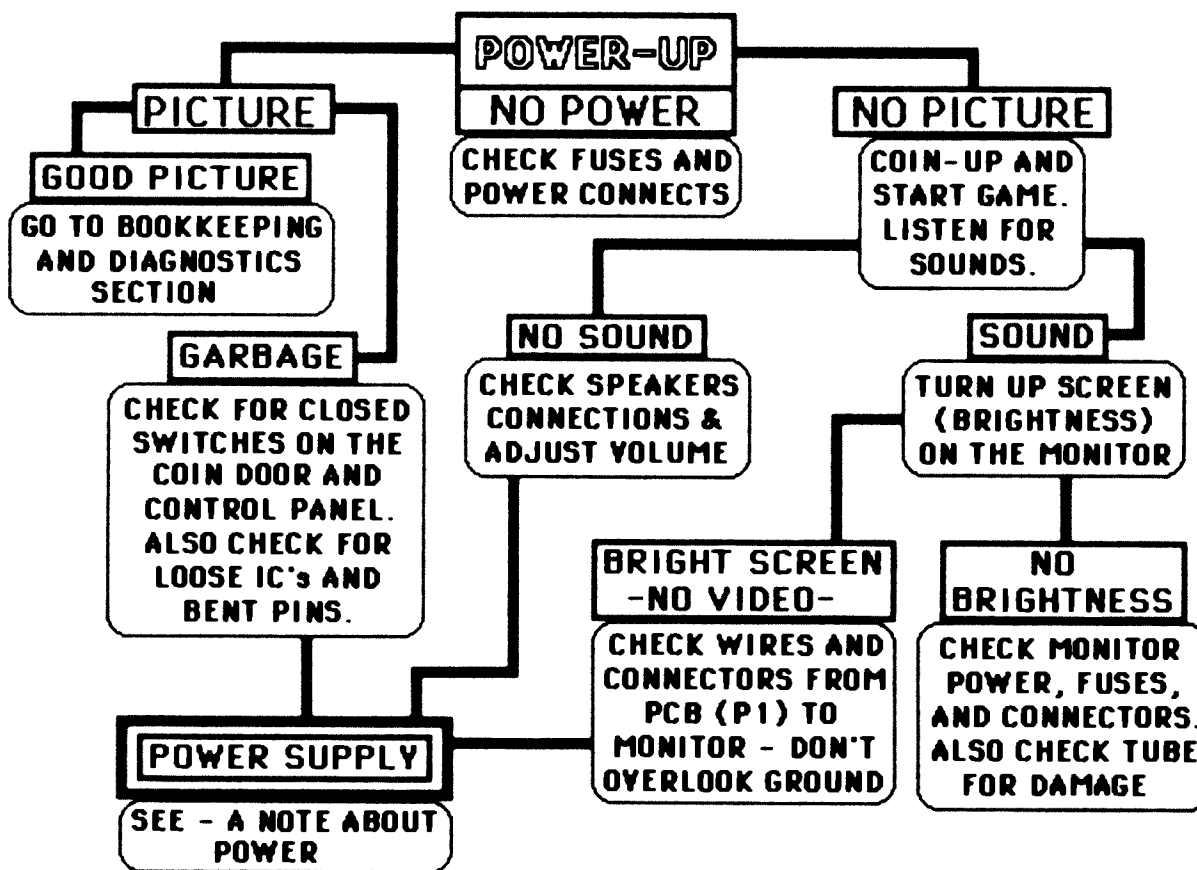
- 1. Your game name and serial number.**
- 2. Any reference materials and a list of observations.**

TROUBLESHOOTING FLOW CHART

DON'T TOUCH THAT SWITCH !!!

Before you reach for the power switch take a good look at the game. Open it up and check for loose wires, bad connections, or burned spots. Look for spilled drinks and signs of vandalism. Those quick checks will save you a lot of time.

After you've eliminated the obvious, start digging.



Never take anything for granted. This is easy to do if you are in a hurry --- You'll kick yourself every time for missing a broken wire or loose connector after spending hours looking in the wrong place - I have.

GENERAL SHOOTING

GARBAGE

Check: Power supply voltages.
Closed switches on the control panel or coin door.
Loose connections, loose IC's, or bent pins on the board.

NO SOUND

Check: Loose connections.
Low +12VDC supply.
Bad speaker or volume pot.

NO CONTROL OR FUNCTION SWITCHES (Includes coin switches)

Check: All Connections. (Especially ground)
Wire continuity between board and switch.
Closed or broken switches.
Input buffers. (See BUFFERS.)

MONITOR SHOOTING

NO PICTURE

Check: Power connection.
Monitor fuses.
Video connections. (Check continuity.)

SYNC PROBLEMS

Check: Sync and ground connections. (See WIRING DIAGRAM)
Sync polarity.
Video output buffer.

BUFFERS

An input or output (I/O) buffer is the component that connects the actual game computer to the outside world and, as such, is the part most likely to fail. Check the following list when attempting to isolate possible problems. First and second choices are given. (M=Main Board, I/O= Multi-Function Board.)

NOTE: ANY UNAUTHORIZED BOARD REPAIR OR ATTEMPTED REPAIR WILL VOID YOUR WARRANTY.

<u>PROBLEM AREA</u>	<u>COMPONENT</u>	<u>PCB LOCATION</u>
VIDEO (Colors or Sync)	1 st 7405 or 74S05 2 nd 74LS374	M-U24 M-U37
PLAYER CONTROLS and/or COIN CONTROLS	1 st 150 ohm resistor pack. 2 nd 74LS257	See Wiring Diagram & Schematics for specific switch.
AUDIO (Bad channel)	1 st 7524 2 nd 7533	I/O-U35(ch5) through U40 (ch0) I/O-U31

ABOUT MECHANICAL COIN COUNTERS

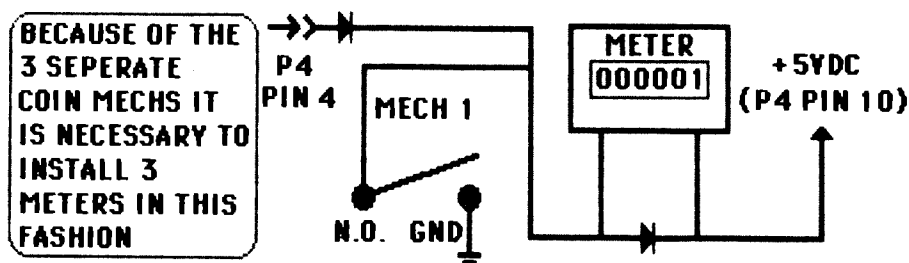
We have not installed mechanical coin counters on this game for two reasons:

1. The bookkeeping program is extremely accurate and includes not only number of coins dropped and dollars earned but also the number of tests and coins in a given period. (See BOOKKEEPING in the DIAGNOSTICS section.)

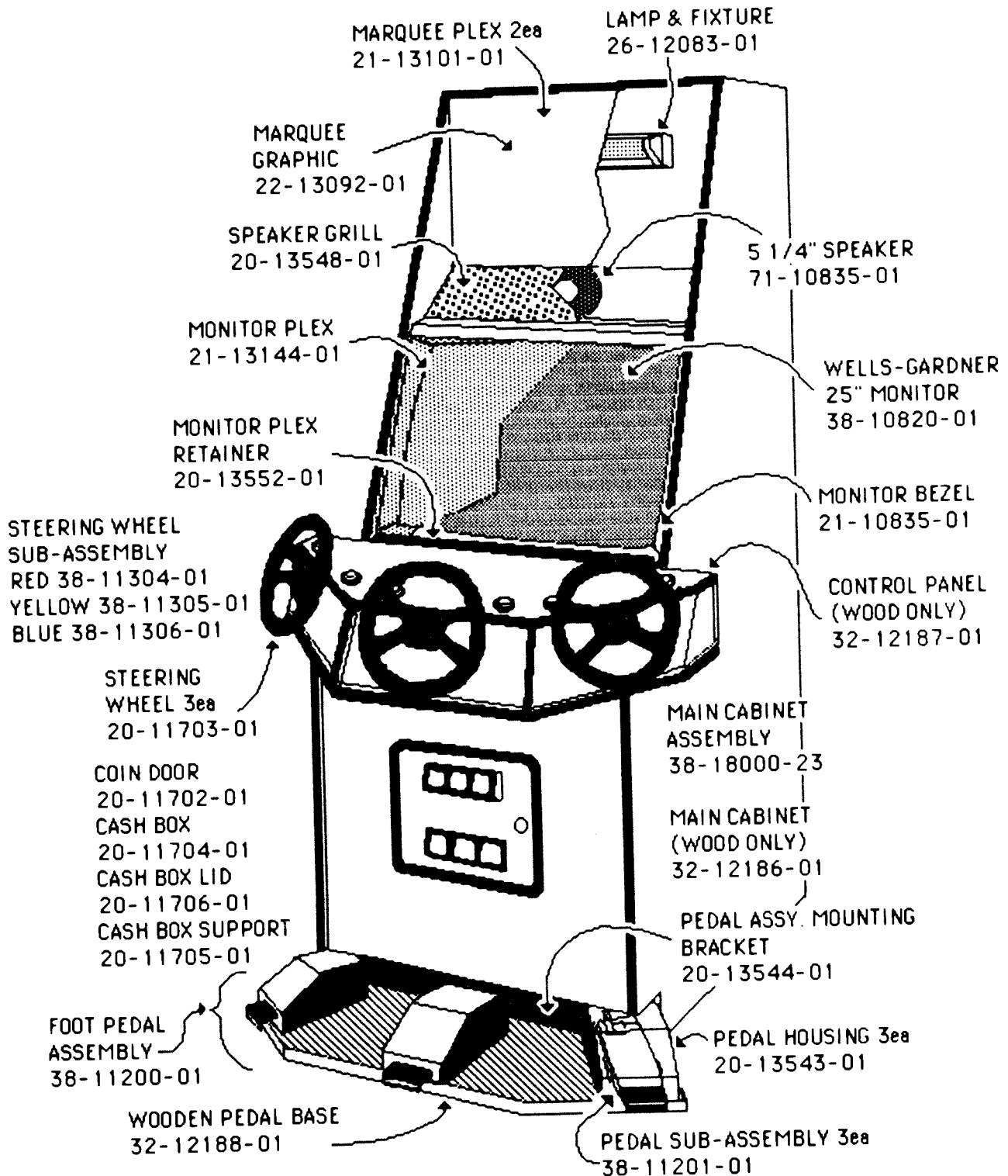
2. These mechanical coin counters produce an inductive "kick" that ~~will~~ damage components on the circuit board.

Checkerboard video is the most common problem. If this is, in fact, your problem - take a look at the "NMI not" signal on the master Z80 (pin 17). If a low output is observed, try replacing U114 (74LS08) and/or U119 (74LS157).

NOTE: If you must install a mechanical coin counter, please use the following diagram. (Diodes may be 1N4001 to 1N4004.)



**"Ivan IRONMAN Stewart's
SUPER OFF-ROAD"™
ILLUSTRATED PARTS LIST**



OTHER PARTS

CONTROL PANEL

PANEL TOP OVERLAY 22-14924-01
SUB-PANEL OVERLAYS

RED - 22-14921-01
YELLOW - 22-14922-01
BLUE - 22-14923-01

BUTTON - MICRO 2ea

RED - 37-11194-01
YELLOW - 37-11196-01
BLUE - 37-11195-01

LATCH 11ea - 20-10867-01
(7 inner panel and 4 cabinet)

STEERING ASSEMBLY

METAL PANELS

RED 20-13549-01
YELLOW 20-13550-01
BLUE 20-11551-01

ENCODER WHEEL

25-11007-01

LARGE GEAR 25-11008-01

SMALL GEAR 25-11009-01

MISCELLANEOUS

ON/OFF SWITCH - 37-10894-01

VOLUME POT - 51-12501-01

LEG LEVELER - 20-13530-01

PEDAL ASSEMBLY

SHOULDER BOLT

4"X1/2" STAINLESS

25-18251-01

POTENTIOMETER

51-12502-01

ARMATURE

20-13540-01

SPRING - 20-15061-01

ELECTRONICS

PCB ASSEMBLY COMPLETE

38-11695-22

MAIN (BOTTOM) PCB

81-12170-14

MULTI FUNCTION #2 (TOP) PCB

81-18002-22

STEERING OPTO COUPLER PCB

80-20000-01

POWER SUPPLY

ISOLATION TRANSFORMER

43-11704-01

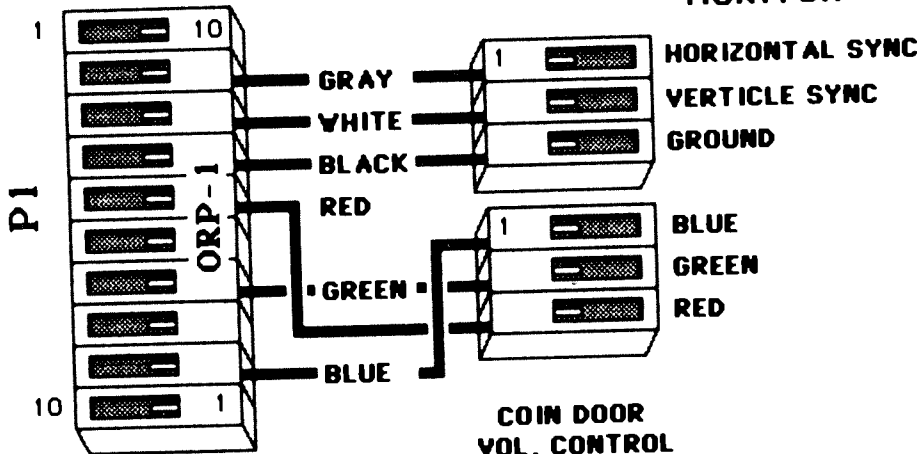
SWITCHING POWER SUPPLY

82-12150-01

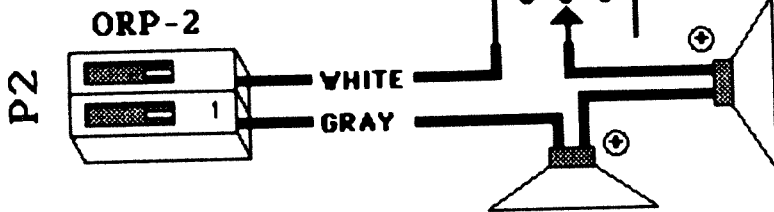
LINE FILTER - 63-12131-01

POWER CORD - 87-12143-01

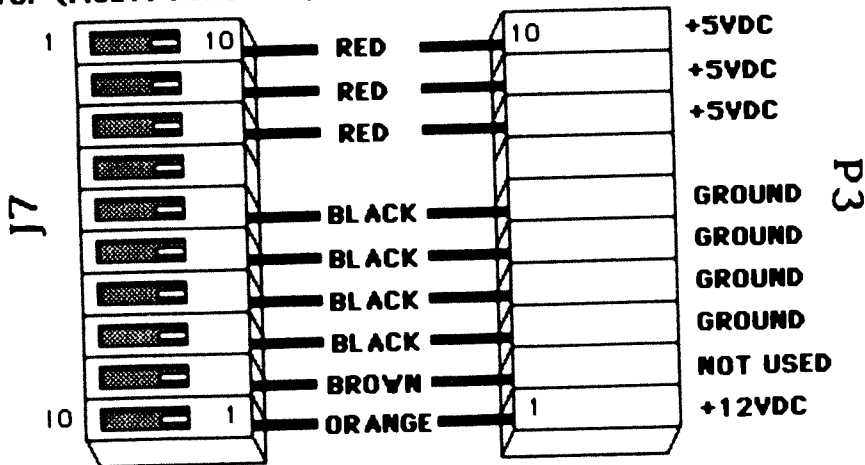
**TO
MONITOR**



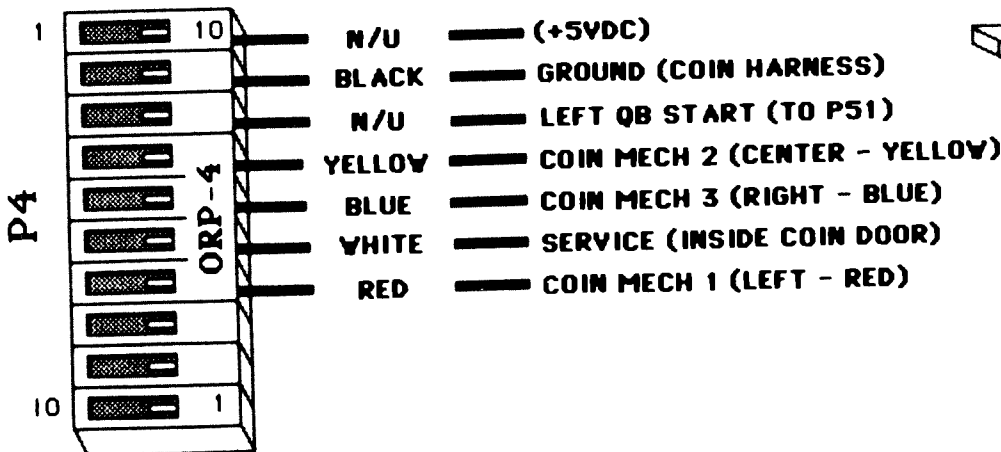
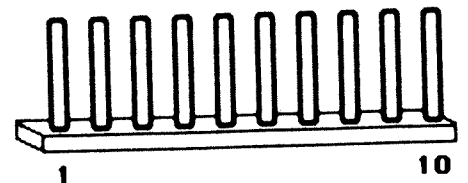
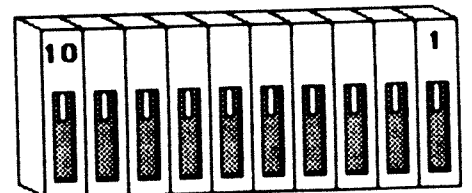
**MAIN WIRING
DIAGRAM
(MAIN BOARD)**

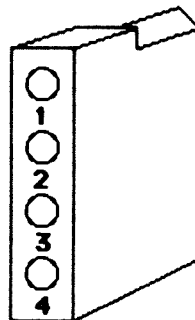
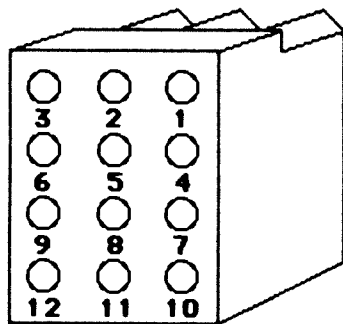
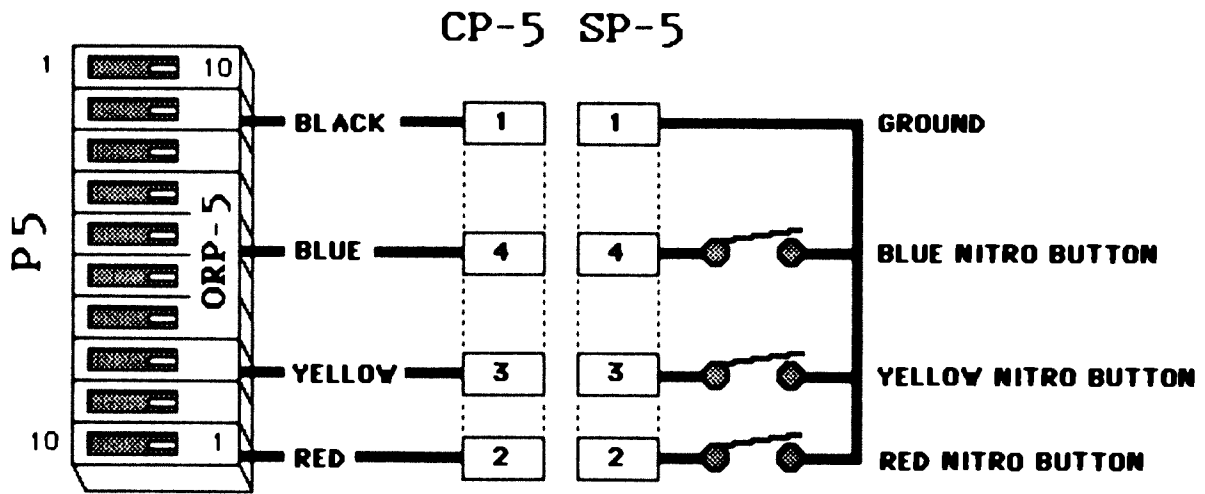


TOP (MULTI-FUNCTION) PCB

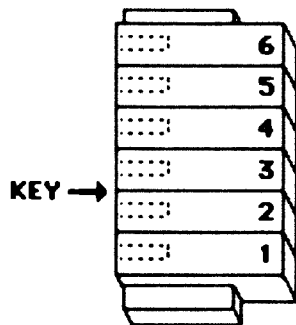
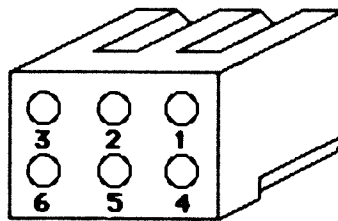
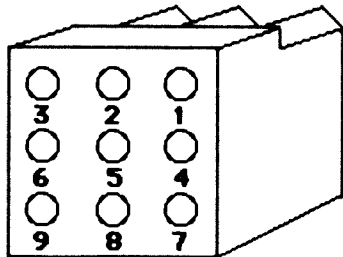


*NOTE: SYSTEM PIN-OUT
OPPOSITE OF PIN-OUT
MOLDED IN HARNESS
CONNECTORS.*





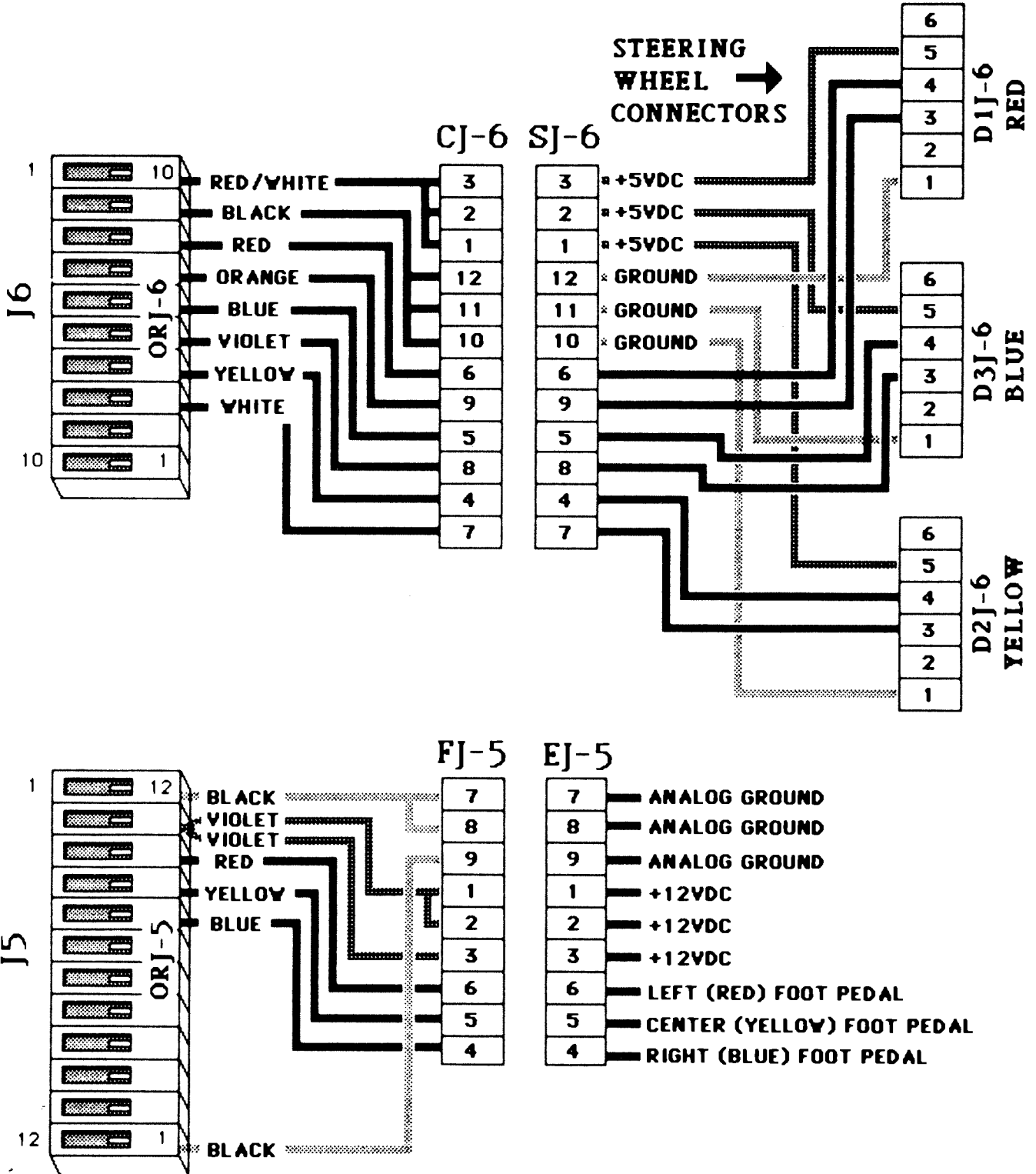
***MALE MOLEX CONNECTORS
TYPICAL PIN-OUT***



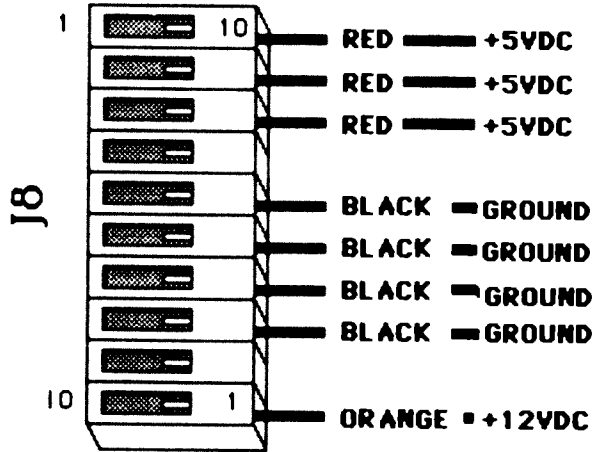
***STEERING WHEEL
CONNECTOR***

***SEE MAIN BOARD LAYOUT
FOR BOARD CONNECTOR
LOCATIONS.***

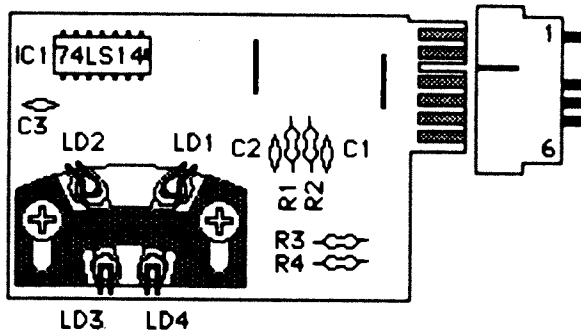
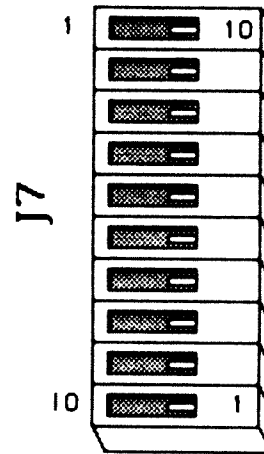
MAIN WIRING DIAGRAM (MULTI-FUNCTION BOARD)



**FROM SWITCHING
POWER SUPPLY**



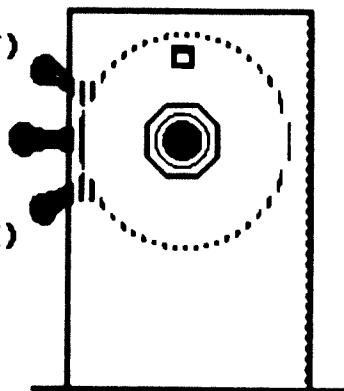
**SEE P7 ON MAIN BOARD
WIRING DIAGRAM**



**STEERING OPTO-
COUPLER PCB
CONNECTION**

**FOOT PEDAL
POTENTIOMETER
HOOK-UP**

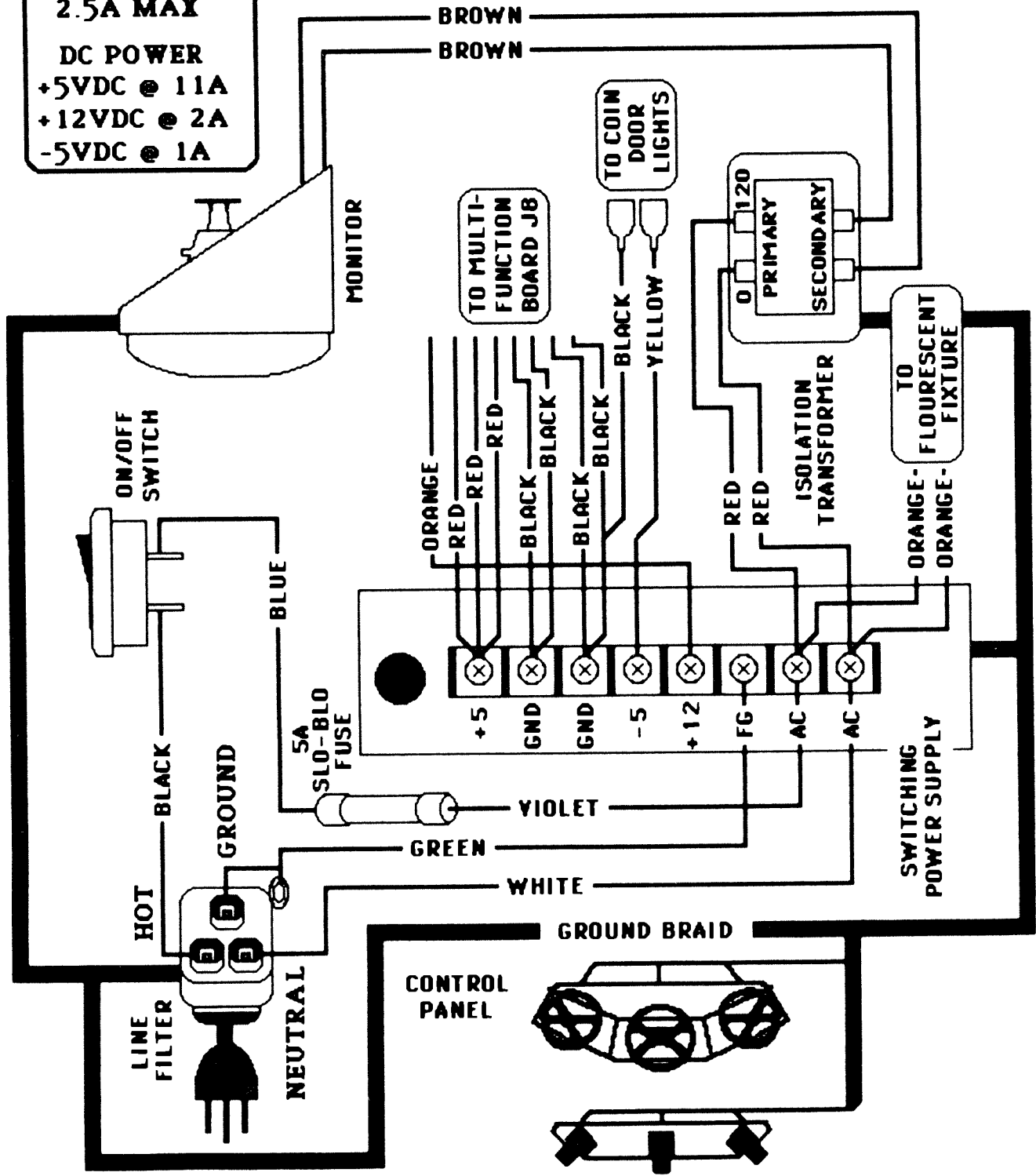
12VDC (VIOLET)
CONTROL
(CAR COLOR)
GROUND (BLACK)



CABINET WIRING DIAGRAM

AC POWER
 108 - 132 VAC
 2.5A MAX

DC POWER
 +5VDC @ 11A
 +12VDC @ 2A
 -5VDC @ 1A



BOOKKEEPING AND DIAGNOSTICS SECTION

To enter the Bookkeeping and Diagnostics Section:

- * With the **Blue Nitro** button depressed, press the **Test** button located inside the front door on the left.

Upon entering the program, the **Main Menu** will appear (Figure 1). Follow the instructions on this menu to select and enter the desired function.

Bookkeeping (Figure 2)

The Bookkeeping function is your game accountant. It records the life-time earnings of your game and allows you, through the use of resettable "Period" totals to keep track of weekly, monthly, or location earnings. This function also separates the readings by coin mech. If one of the coin mech readings is disproportionately low, you may suspect that your players are having trouble with either that mech or the controls of the car associated with that mech.

NOTE: The "**SET COINS/TOKENS PER DOLLAR**" category must be set to the location standard to maintain accurate accounting data.

(i.e. 6 COINS/TOKENS PER DOLLAR.)

THIS FUNCTION DOES NOT AFFECT THE NUMBER OF COINS PER CREDIT – SEE THE "GAME SET-UP" SECTION FOR COINS PER CREDIT INFORMATION.

Diagnostics (Figure 3)

You will notice the Diagnostics Section has a sub-menu of its own. Invoking the Diagnostics function will open a complete and easy to use set of tests designed to take the grumbling and hair pulling out of adjusting, troubleshooting, and servicing your machine.

Buttons and Controls Test (Figure 4)

This test provides a quick examination of the state of all buttons and controls as well as an easy range and direction setting format for the steering and pedal controls. As shown on the screen, the **minimum** setting for any foot pedal assembly is between **0 and 80**. Each pedal must also be able to achieve the **maximum** setting of **255** when fully depressed.

Processor Memory Test (Figure 5)

The Erasable Programmable Read Only Memory (EPROM) and Random Access Memory (RAM) IC's are storage areas for the actual game guidelines and are accessed by the Microprocessor section.

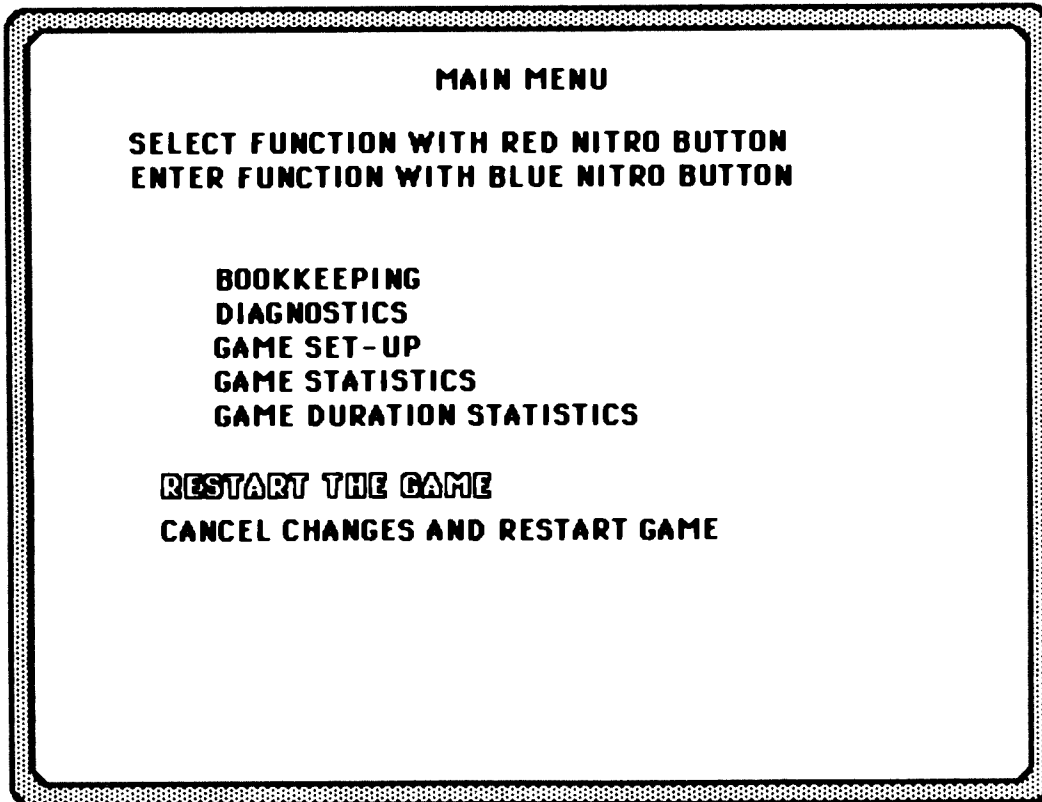


FIGURE 1

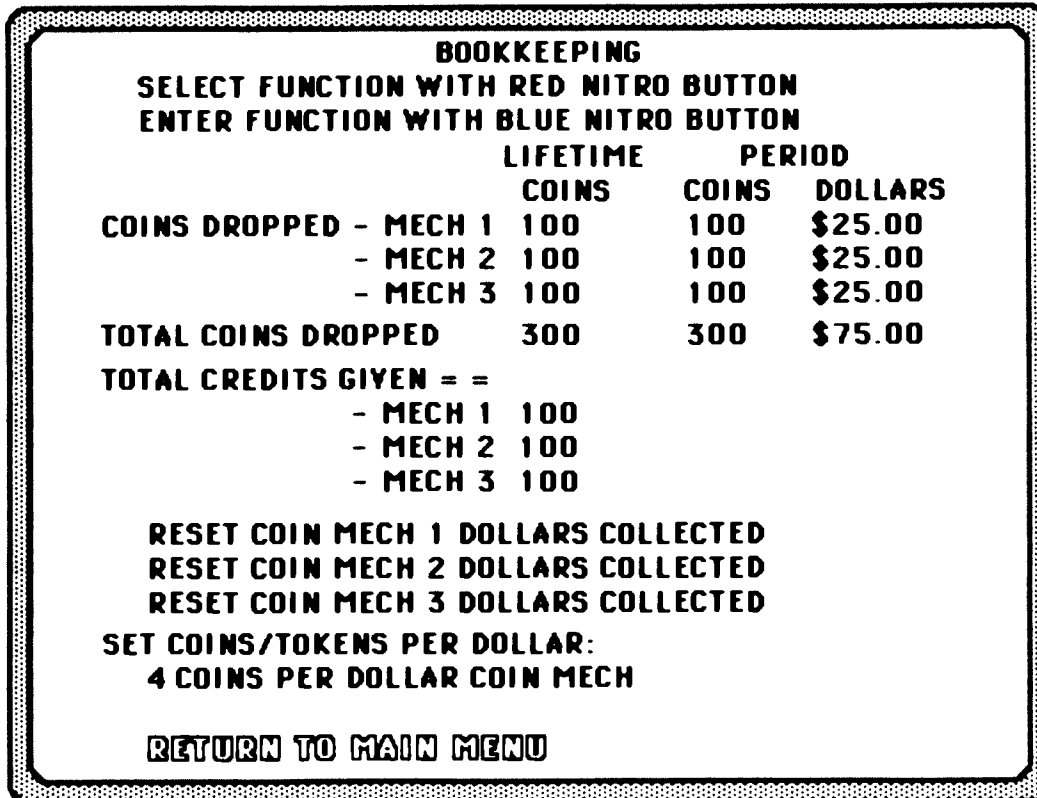


FIGURE 2

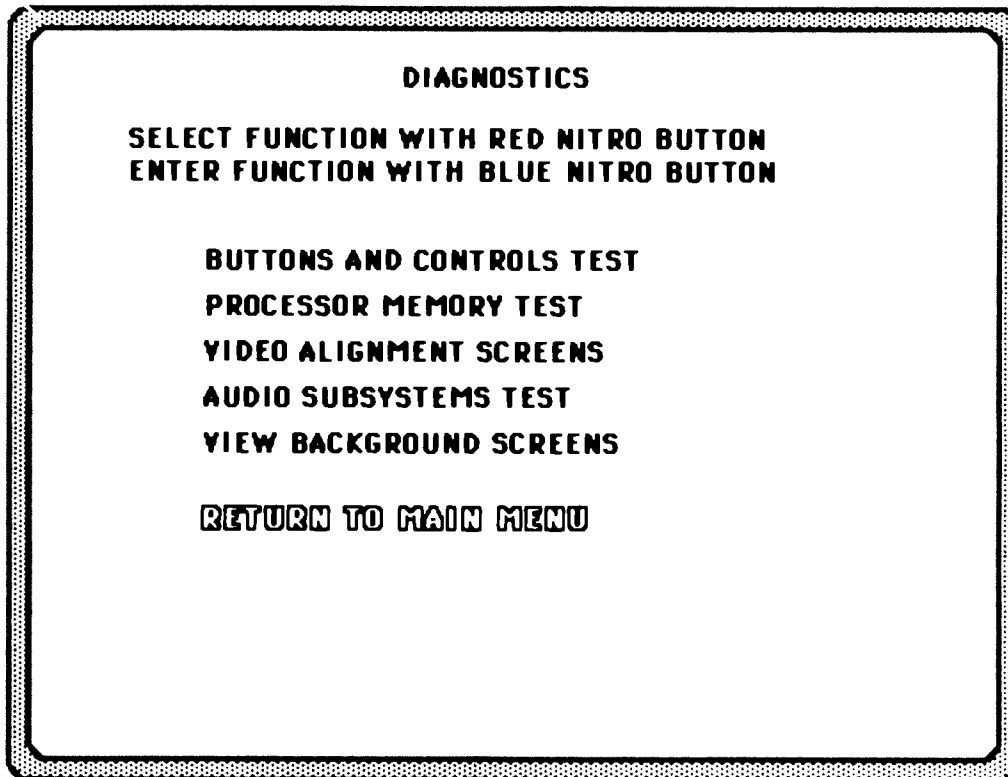


FIGURE 3

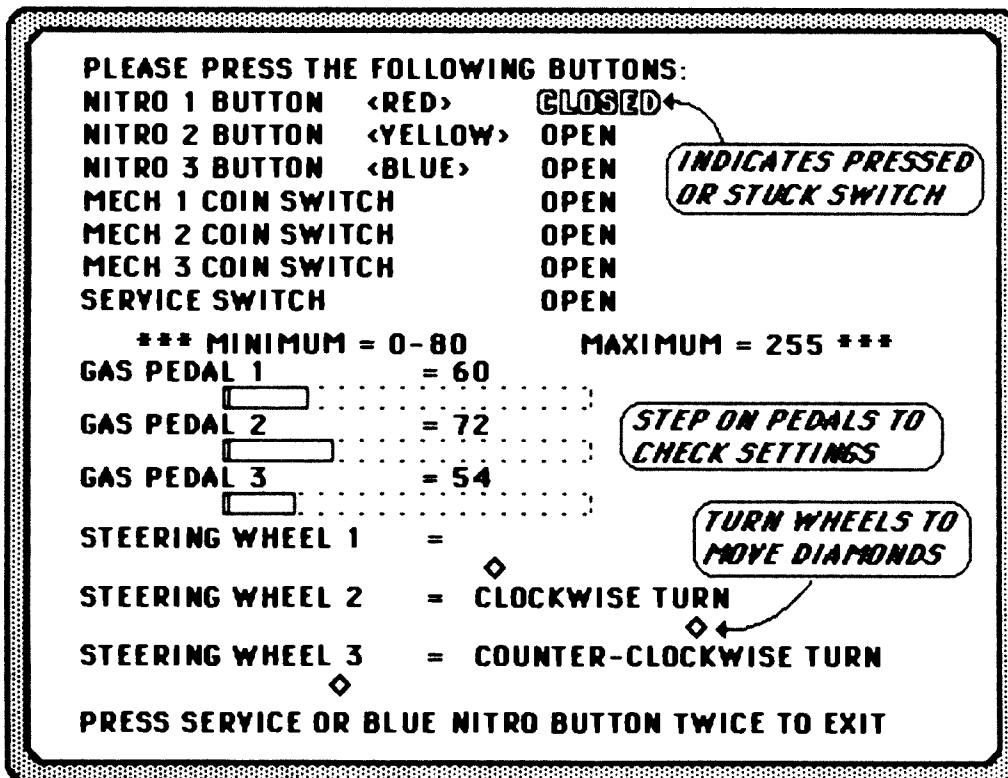


FIGURE 4

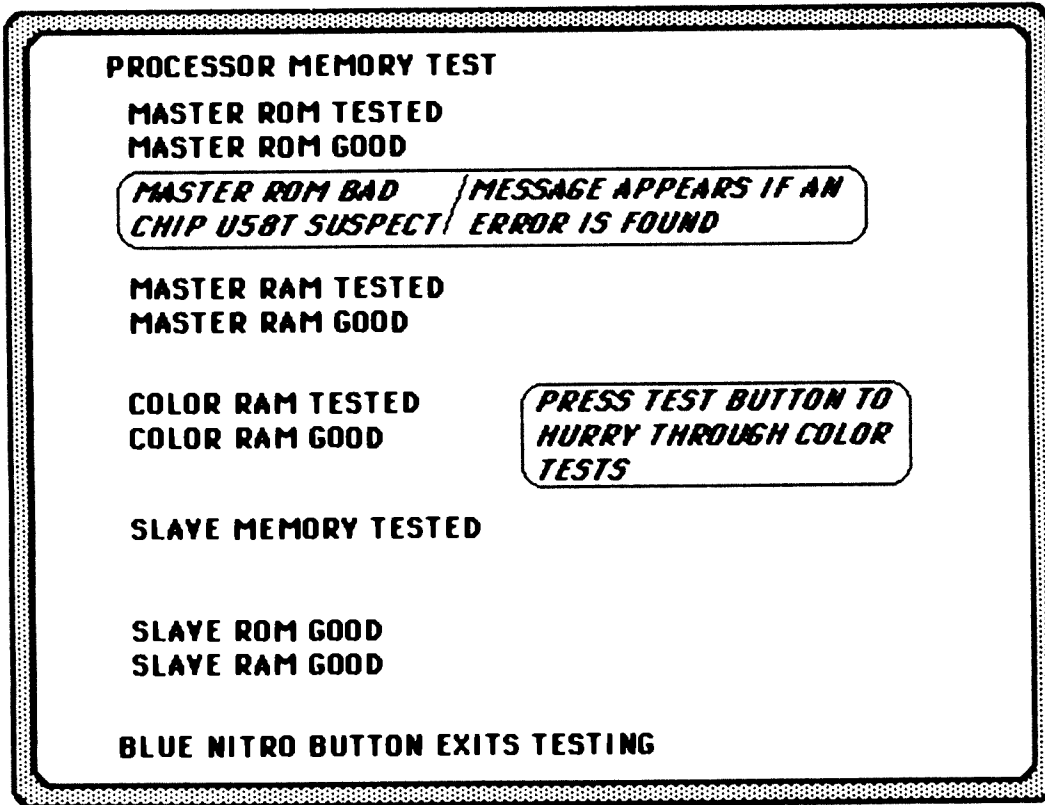


FIGURE 5

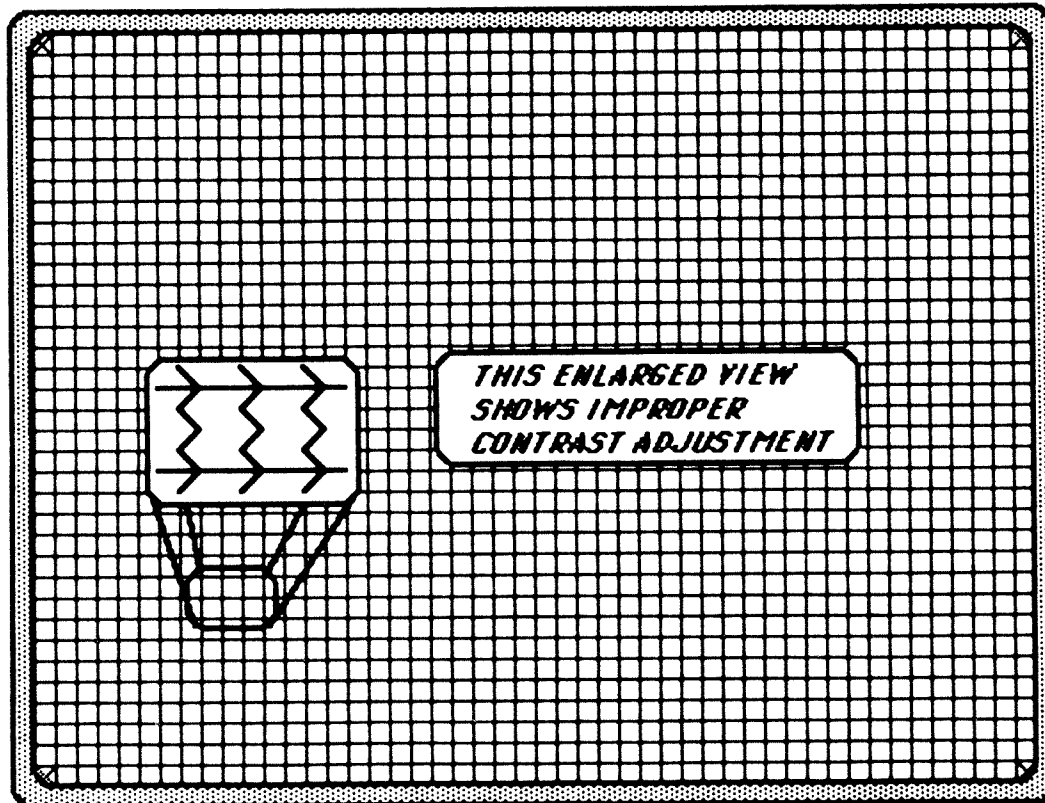


FIGURE 6

Processor Memory Test (cont.)

The percentage of field failures in these areas is very low, but when a problem does arise, it can be a bear to track down. This test samples the action of the processor section and notes any incongruities.

WARNING: READ YOUR WARRANTY BEFORE ATTEMPTING ANY PRINTED CIRCUIT BOARD REPAIRS.

Video Alignment Screens

The picture on the screen is the most important and most neglected part of the game. It is a proven fact that a dirty, misaligned, or unfocused screen will cause a player to walk away even if the game is his/her favorite piece. A little elbow grease and a couple of minutes spent going through these adjustment screens will make a big difference in the cashbox. Use all three screens to adjust your picture and then go to the "Background Screens" section to make the game look *"rich"*.

Cross-Hatch Screen (Figure 6)

Used to adjust focus, alignment, size (note x's in the corners) and contrast. Wavy vertical lines (see inset) denote bad contrast.

The background should be black and the lines solid white.

If there appears to be an area of color on the screen (usually in one of the corners), your monitor probably needs "degaussing".

This condition is caused by moving the game with the power on.

Although the monitor contains an internal degaussing mechanism, this mechanism might take a while to work and may not completely cure the problem.

I recommend that you purchase a "degaussing coil" and carry it in your service vehicle. Degaussing doesn't take much time and it makes a big difference.

Red and Green Screen (Figure 7)

Adjust the screen or brightness control so the green color bar shows **faintly** on the **1** level and use the red cutoff control to adjust the red bar to the same intensity.

Blue and Miscellaneous Screen (Figure 8)

Use the blue cutoff control to make the gray color appear gray (not brownish). Adjust the red and green drive controls slightly, if necessary, to make the white block white.

Audio Subsystems Test (Figure 9)

The sounds are the second most important feature of any game and in a game like "Super Off-Road" are essential to the feel of the game.

The volume of sound is, for the most part, dictated by the location and is thus a "given" but the quality of sound is a function of the program.

This test will be of help in your quest to find those "odd" sounds or to remedy the lack of certain sounds.

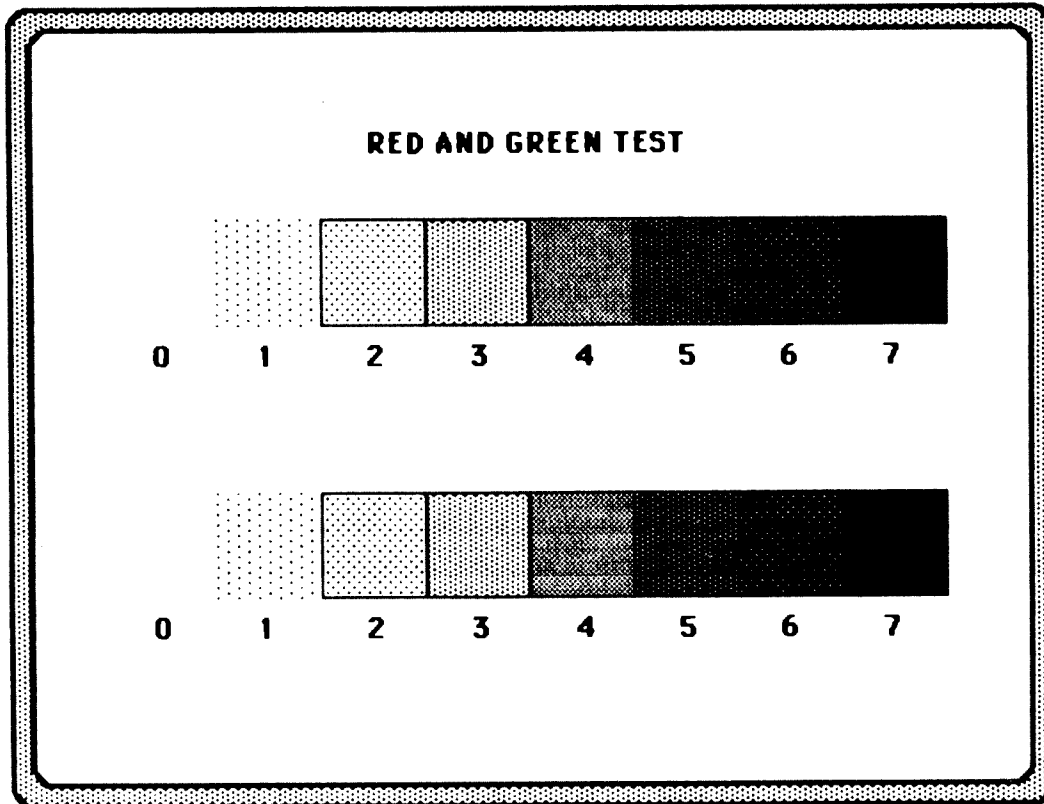


FIGURE 7

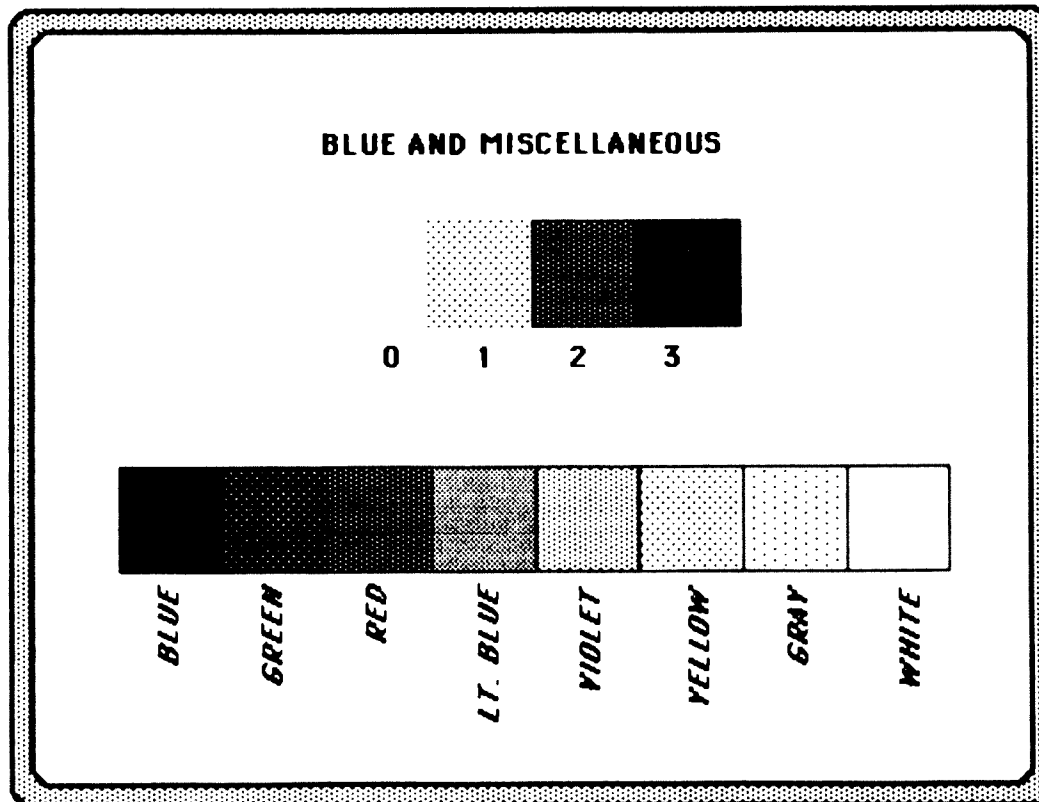


FIGURE 8

Background Screens (Figure 10)

In this test, the background screens are shown while the EPROMs which contain the information for these screens are displayed at the top of the picture. This test is not only helpful when looking for those "glitches" one sometimes encounters, but may also be viewed as a visual test of the colors and picture clarity after the "Video Alignment" test has been completed.

Game Set-Up (Figure 11)

The "Game Set-Up" or "Operator Adjustable" section is vital to the condition of your cash box. When used in conjunction with the "Bookkeeping" and "Statistics" sections of this diagnostics package, the "Game Set-Up" function will keep this game on your list of top earners for years to come. The **Coins-per-Credit** settings range from 1 coin for 1 credit to 20 coins for 20 credits. (*0 coins for 1 credit sets the game on "free play".*)

SOME SOUND ADVICE:

THOSE ANNOYING ATTRACT MODE SOUNDS ARE SUPPOSED TO DRAW ATTENTION.

LET THEM !

The **Difficulty** level may be set from 1 to 8. Our tests show that level **4** is the best all-around starting point.

After entering their initials and birth date each player is asked to choose the country for which he/she will race. The operator may select one of the countries listed to better suit his game to a particular location.

Game Statistics (Figure 12) & Game Duration Statistics (Figure 13)

These two sections are your game "Report Card". Check these sections for glaring discrepancies. Many "starts" and few "joins" or "continues" on any one car could be an indication of a control or coin mech problem.

Unlike many games, whose best income is a result of a 2 to 2.5 minute average game time, collections from **"SUPER OFF-ROAD"™** are highest when the average game time is between 3.25 and 3.75 minutes. Your players get more for their money!

Country Selection (Figure 14)

When a player begins a game, he or she is given a choice of countries for whom he or she will race. This section allows you to further customize your game by choosing which eight countries will appear on the country selection screen. You may also choose a preselected list of American or European countries.

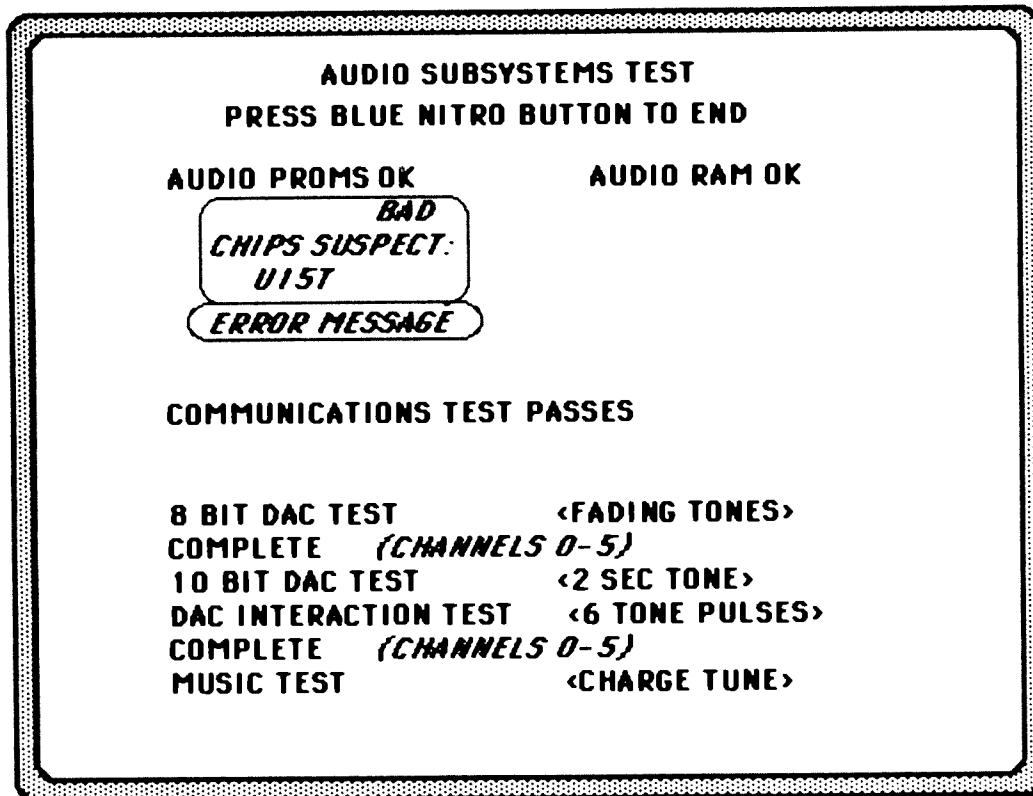


FIGURE 9

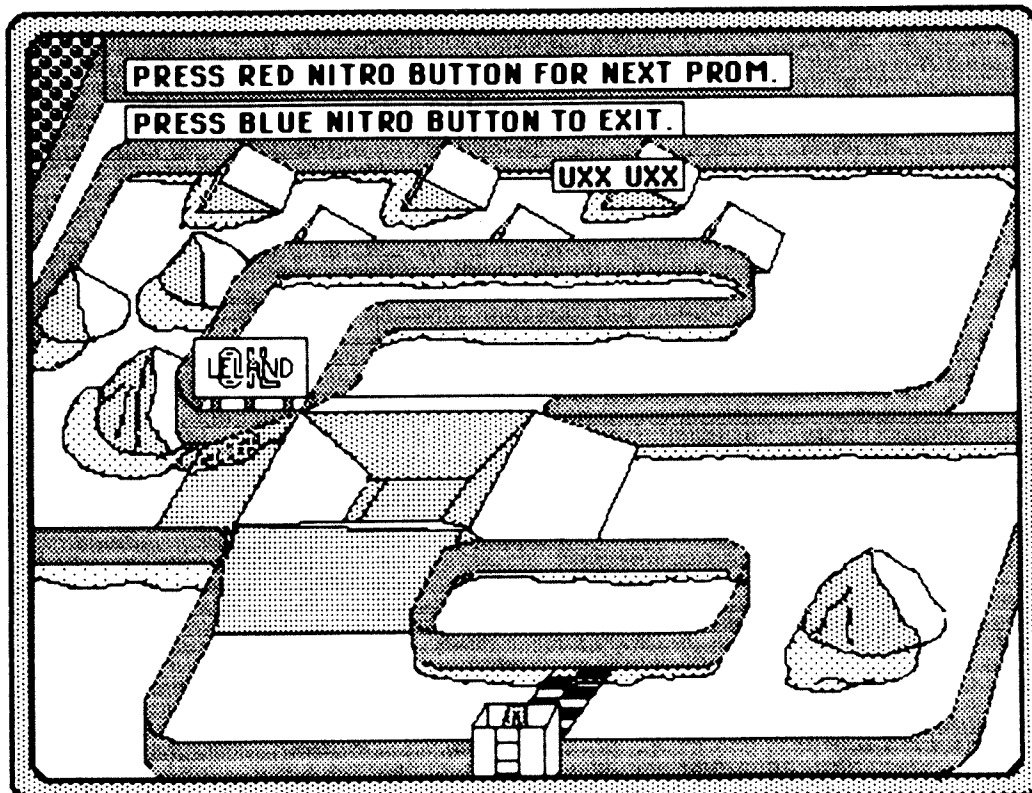


FIGURE 10



FIGURE 11

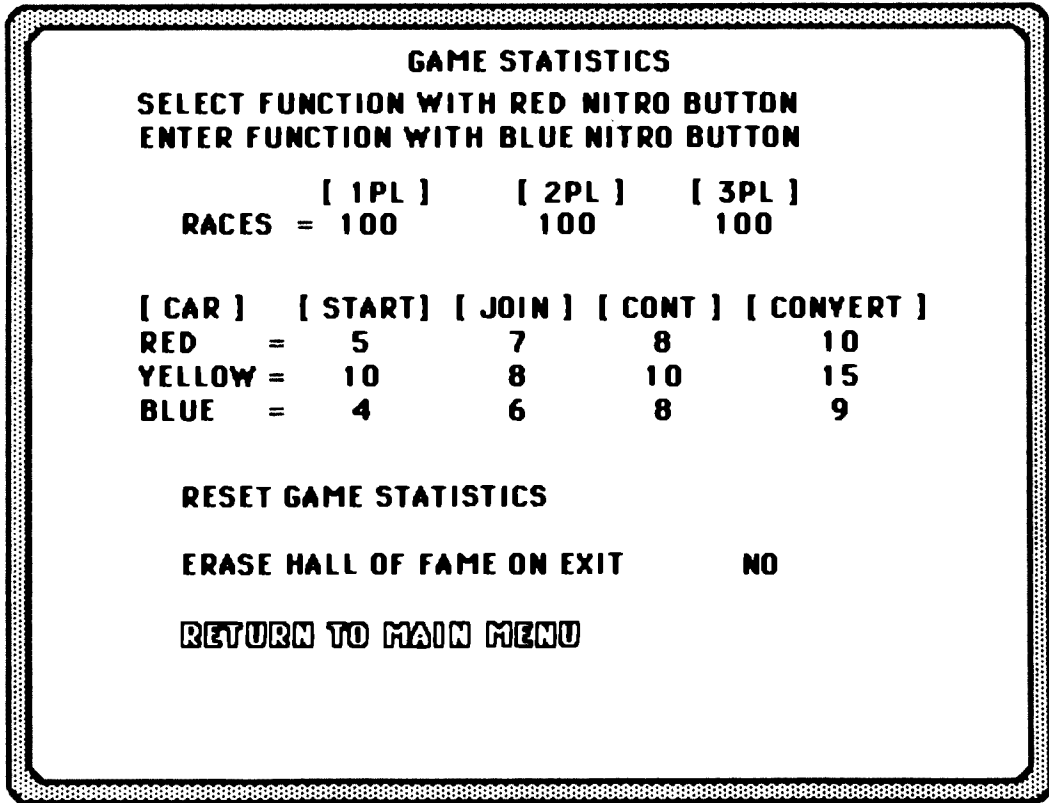


FIGURE 12

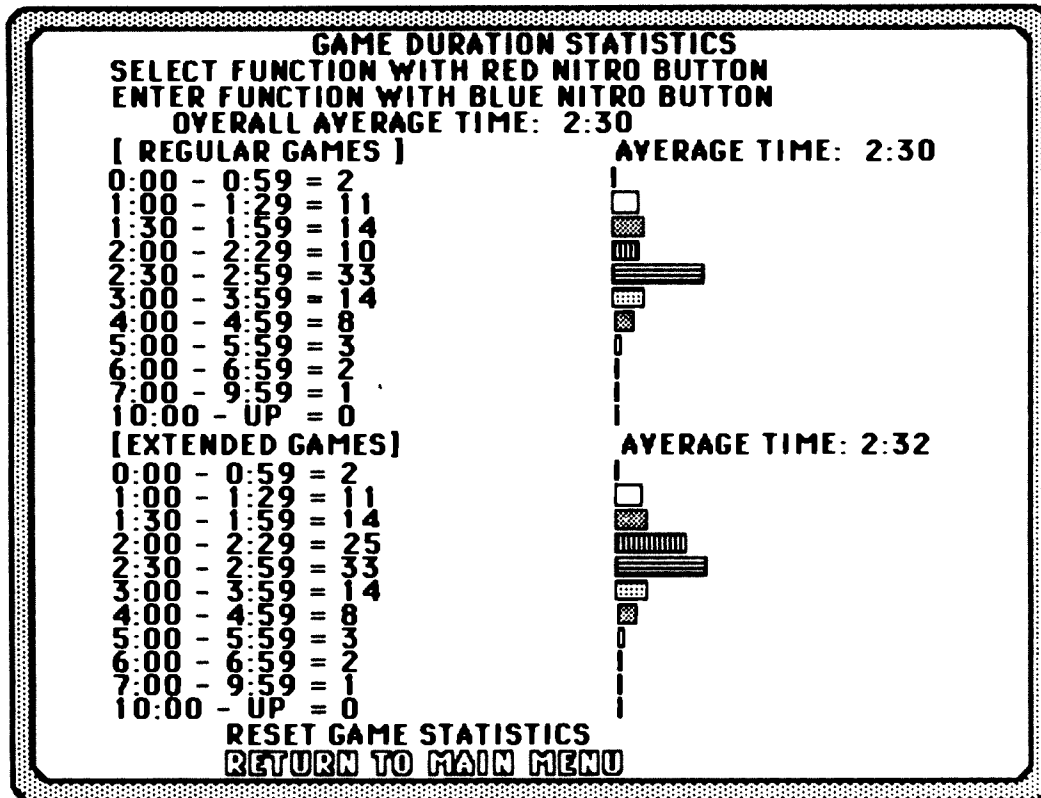


FIGURE 13

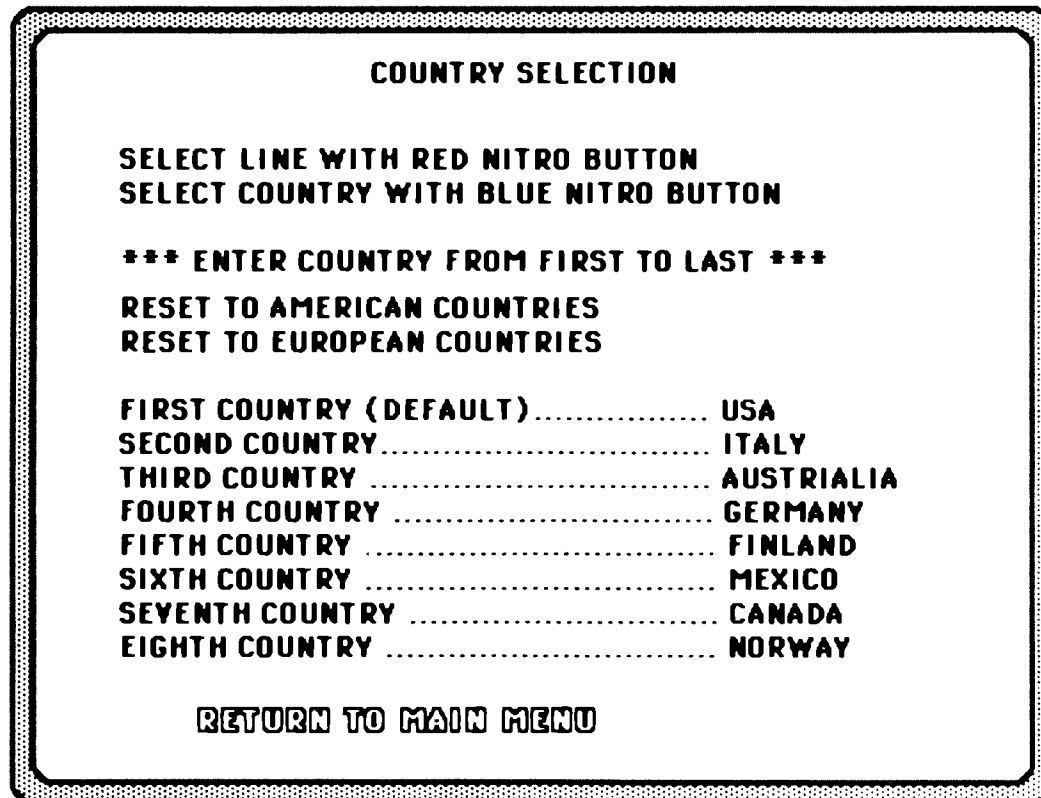
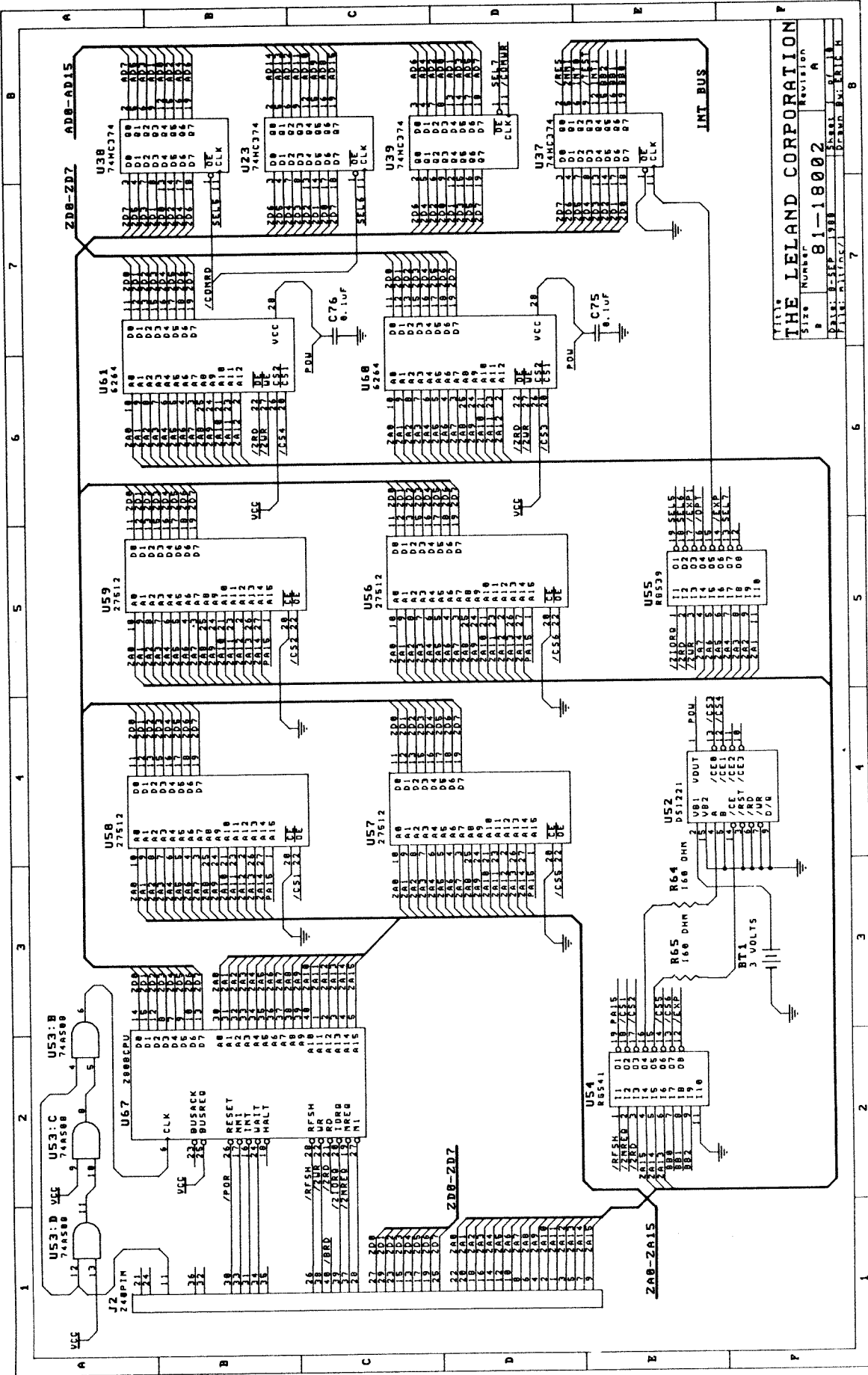
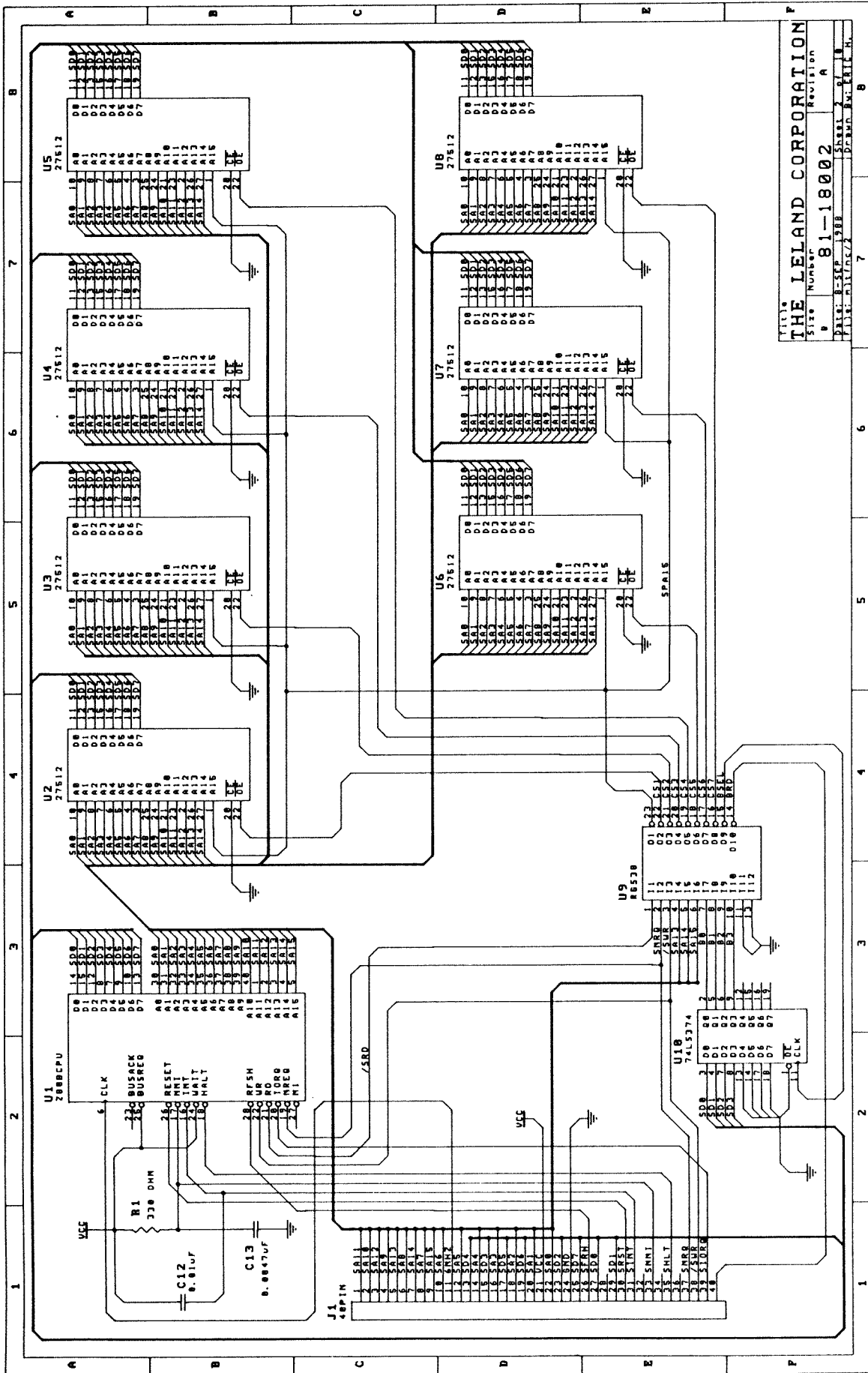


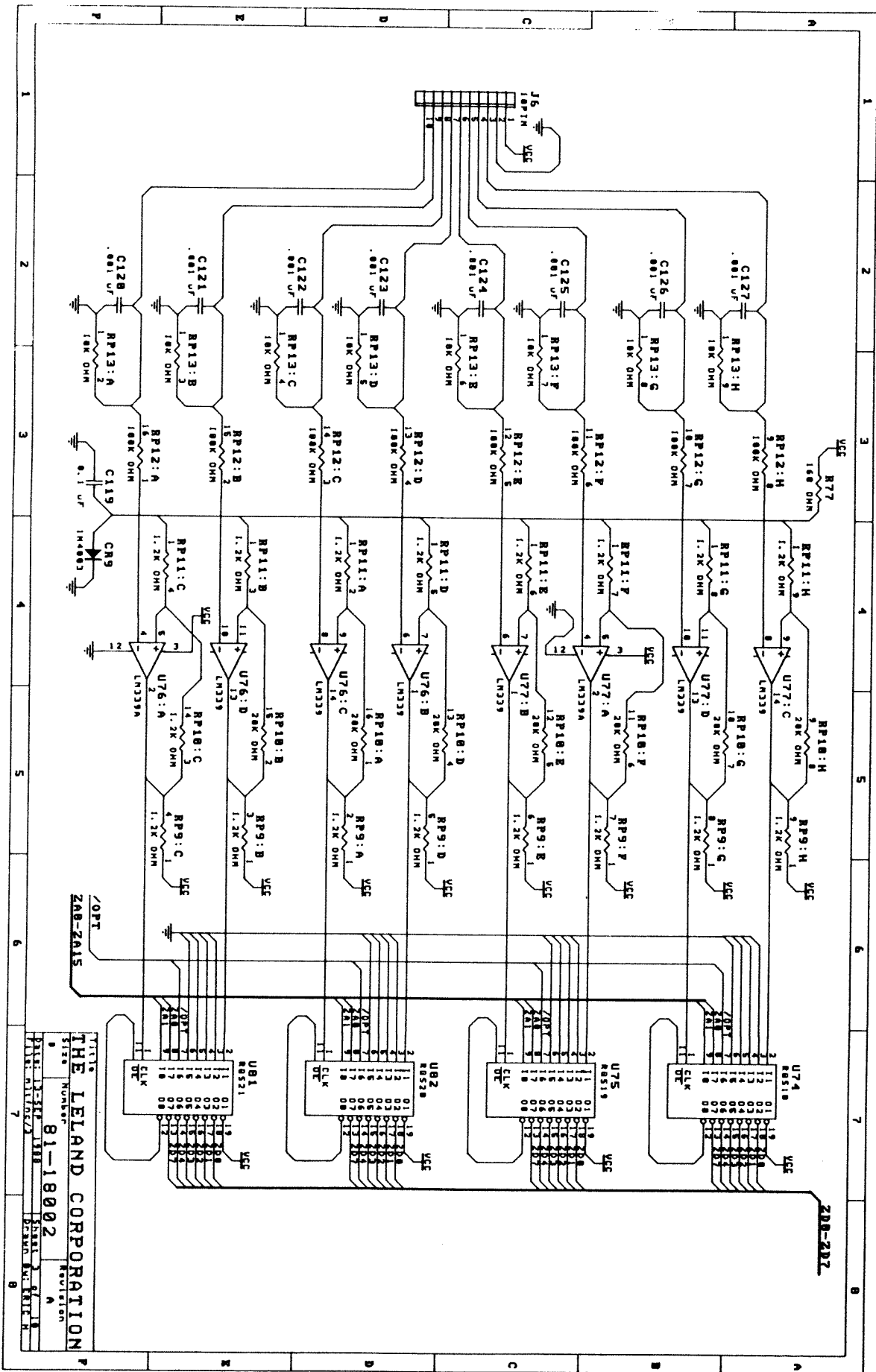
FIGURE 14



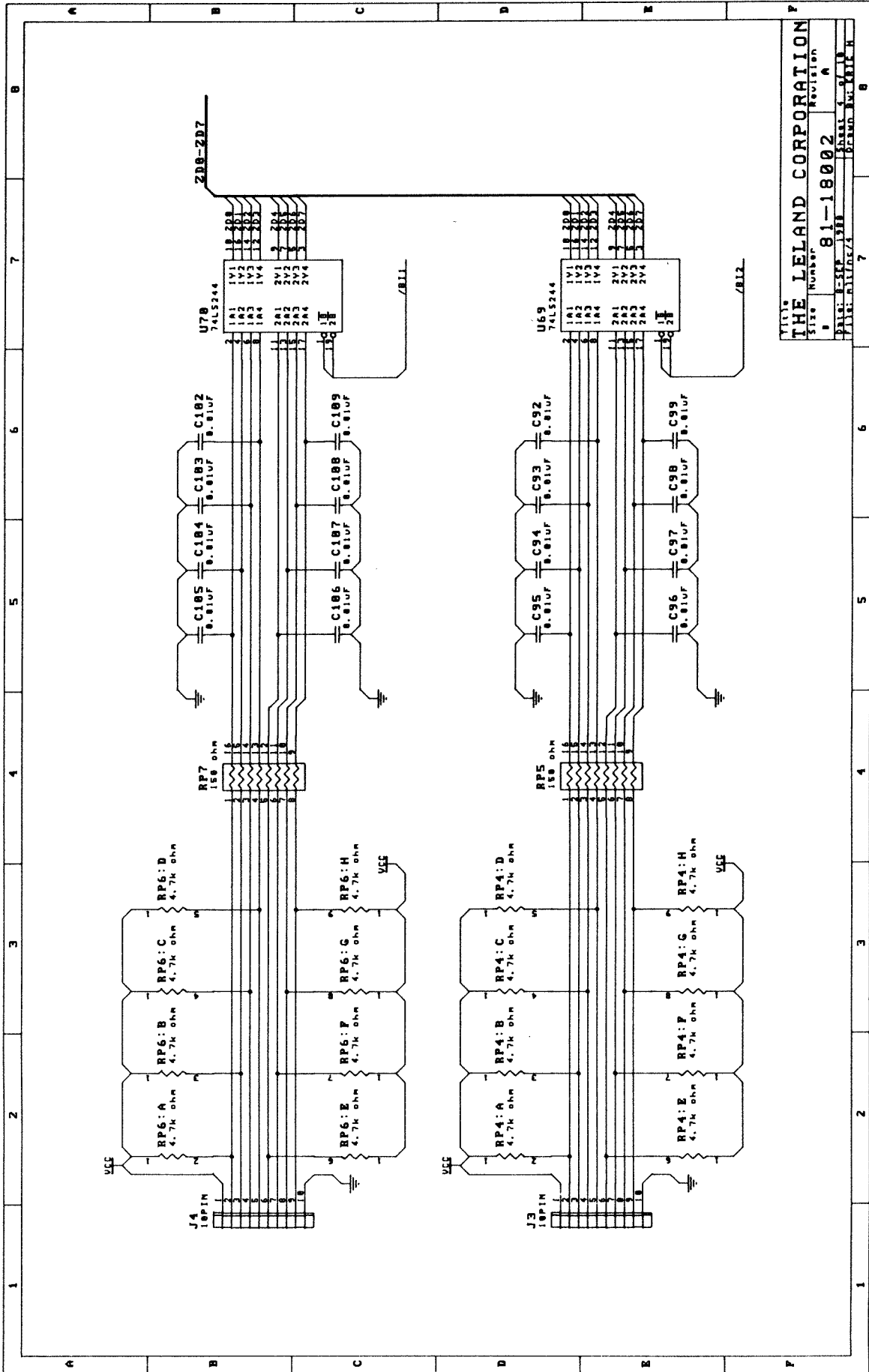
TITLE THE LELAND CORPORATION
 SIZE NUMBER 81-18002
 REVISION A
 DATE: 8-SEP-1988
 FILE: 811/02/1
 DRAWN BY: RLC
 CHECKED BY: RLC



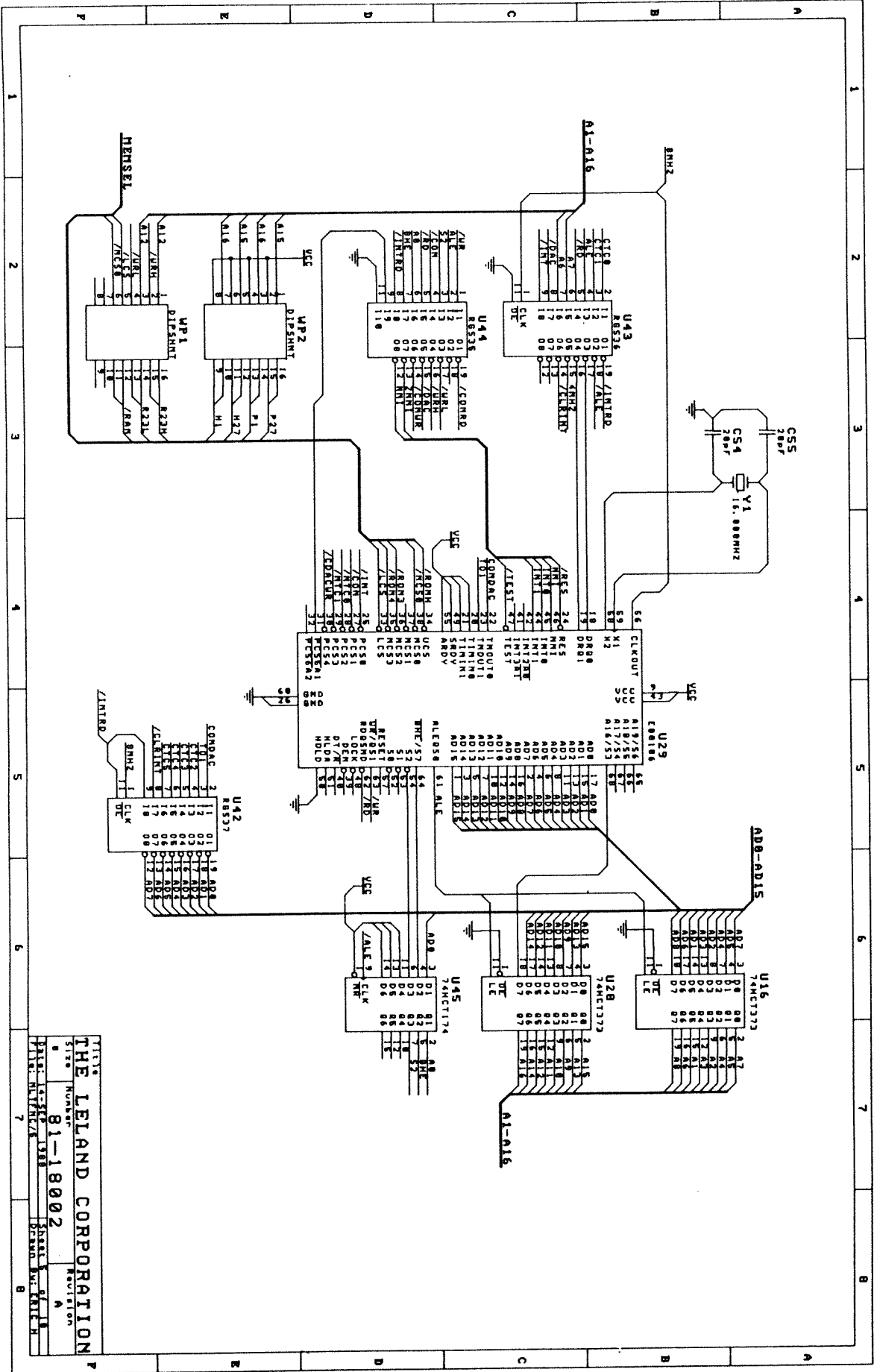
FILE: 81-18002
 THE LELAND CORPORATION
 Size Number 81-18002
 Revision A
 DATE: 8-25-64
 DRAWN: J. L. H.



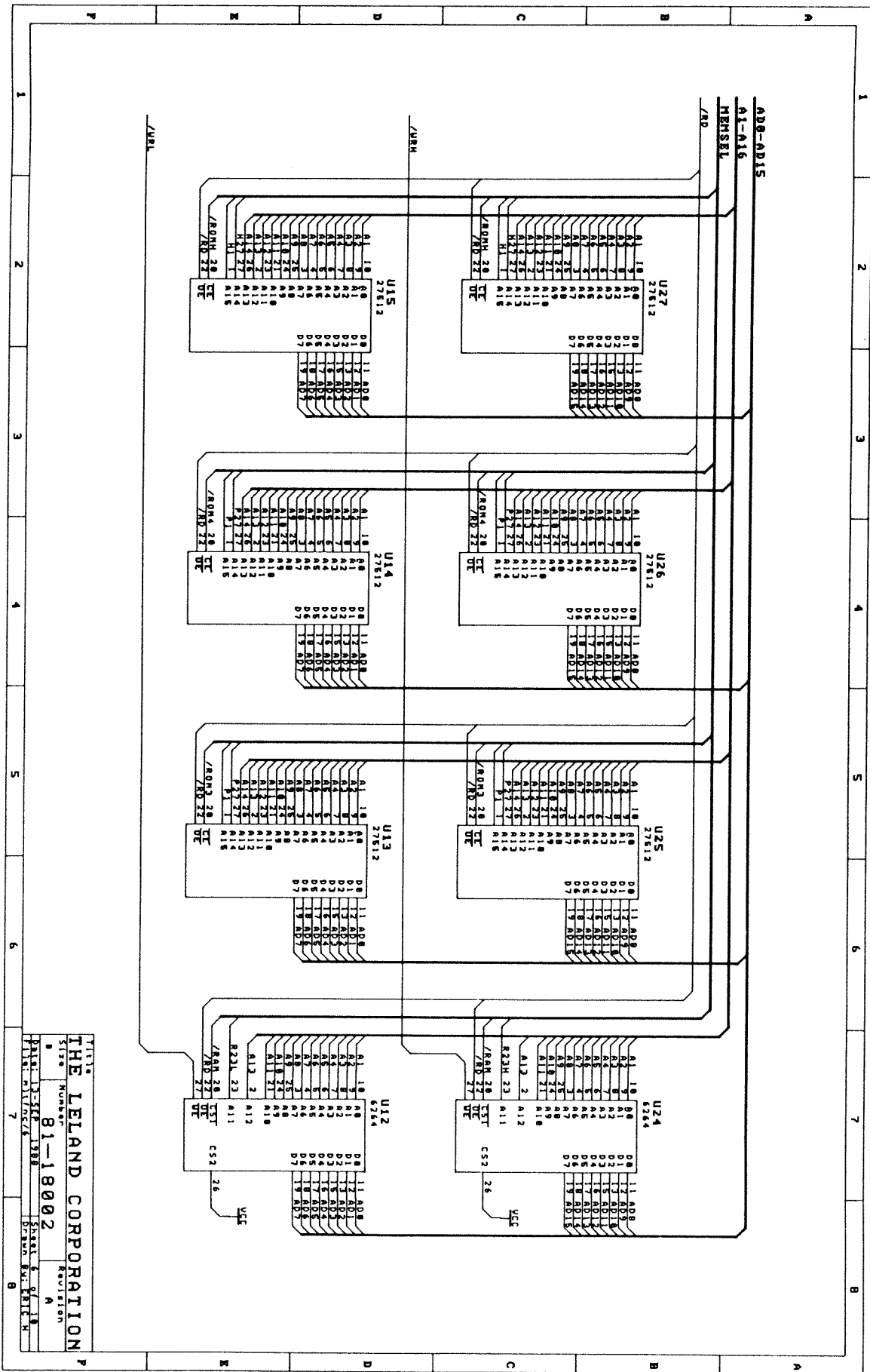
TITLE: THE LELAND CORPORATION
 Size: 81-18002
 Part: 13-31P
 Date: 01/27/77
 Rev: A
 Drawn: EWT/H
 Checked:

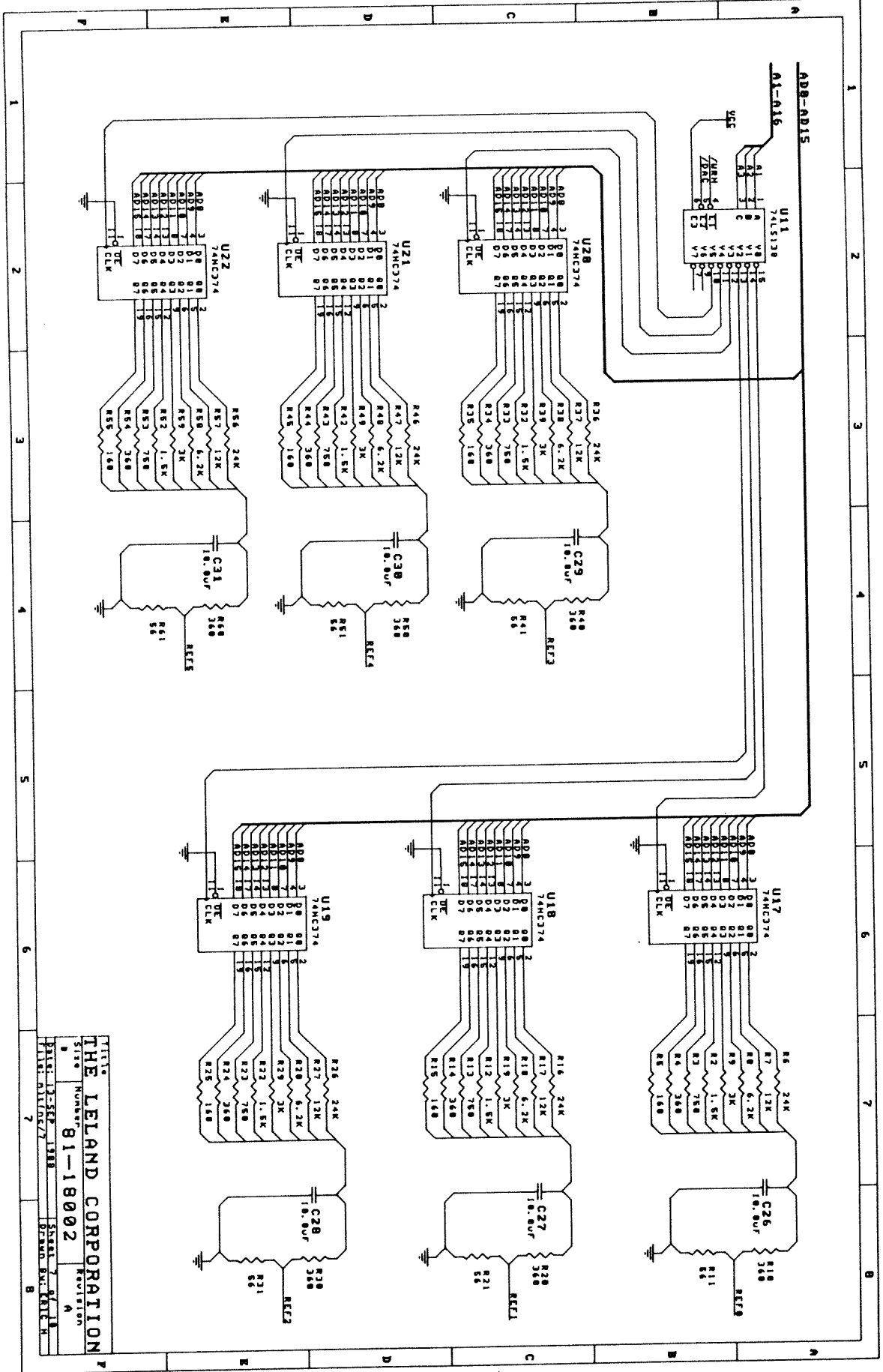


TITLE	THE LELAND CORPORATION
SIZE	81-18002
NUMBER	REVISION
8	A
DATE: 8-SEP-1978	DESIGN: J. J. H. / J. J. H.
FILE: 81/18002/1	BOARD NO. 811111

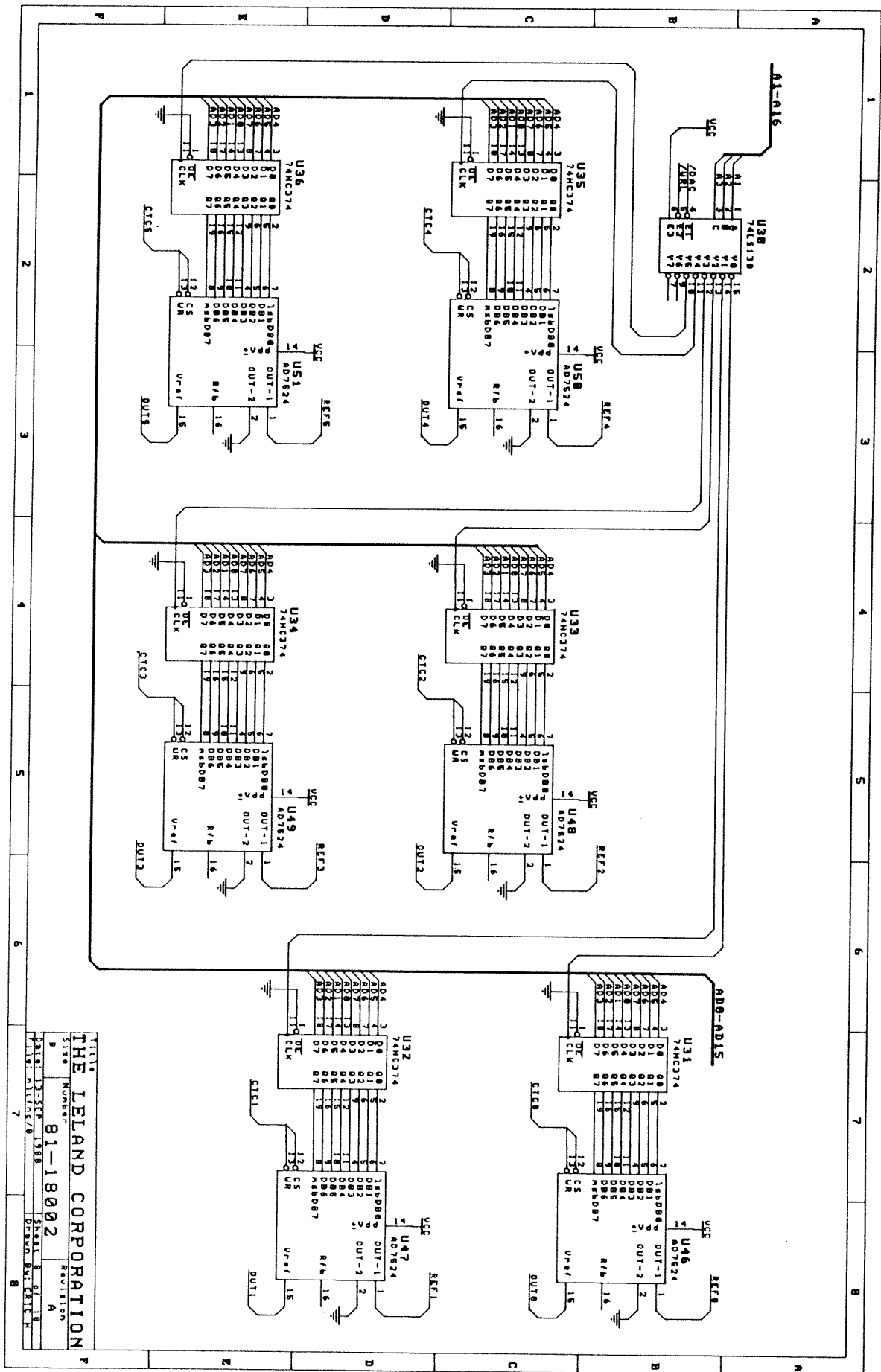


TITLE
THE LELAND CORPORATION
 SIZE Number
81-18002
 DATE: 10-24-78
 DRAWN BY: KYLE H
 REVISION
 A
 18

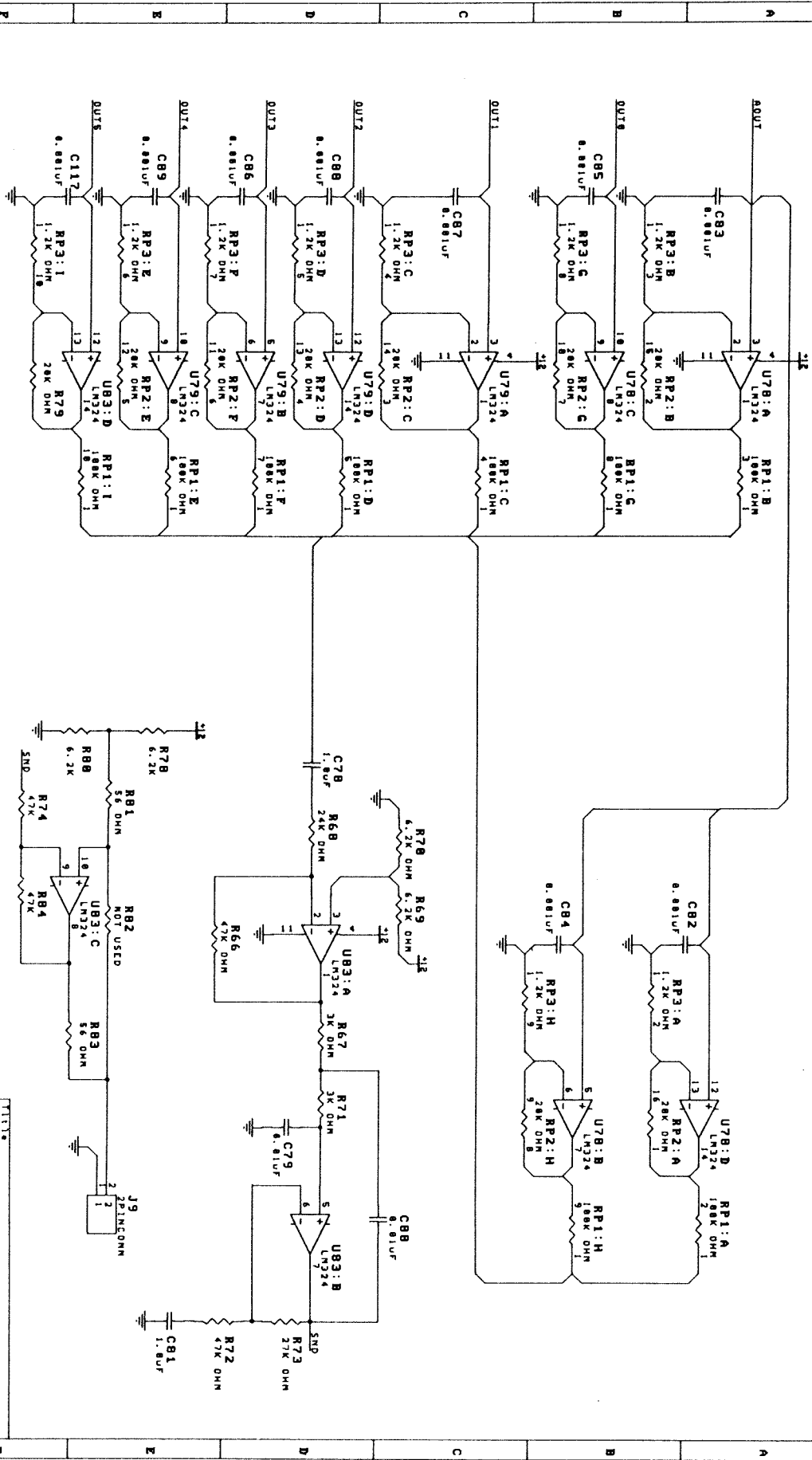




TITLE: THE LELAND CORPORATION
 Part Number: 81-18002
 Date: 13-SEP-1988
 Drawn By: KYLE M
 Checked By: [blank]
 Revision: A

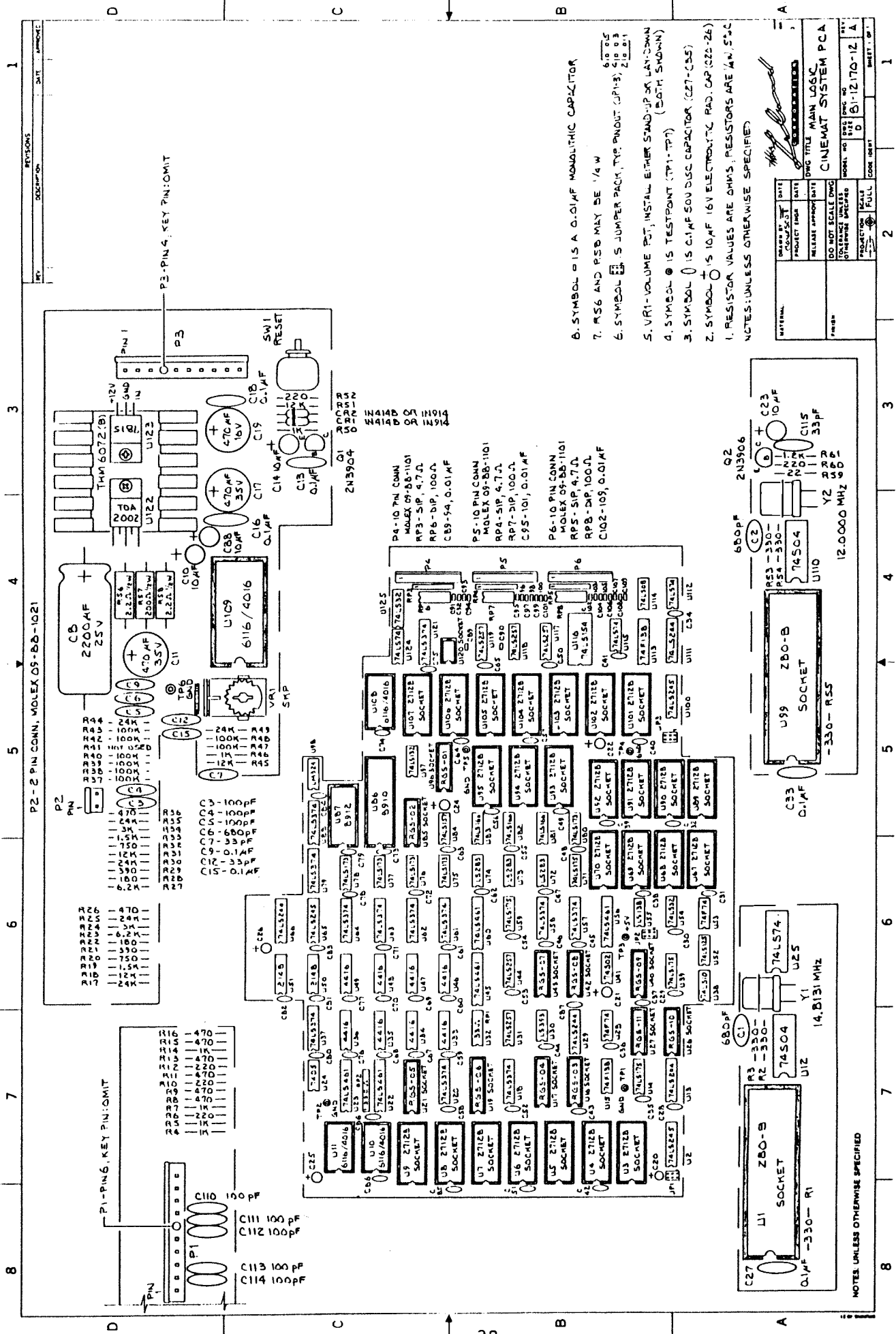


TITLE THE LELAND CORPORATION
 DRAWING NUMBER 81-18002
 DATE 11-13-88
 DESIGNED BY SHELL B. GRIFFIN
 CHECKED BY SHELL B. GRIFFIN
 APPROVED BY SHELL B. GRIFFIN



TITLE		THE LELAND CORPORATION	
SIZE	NUMBER	REVISED	REVISION
B	81-18002	A	
DATE: 1-25-58		DRAWN: J.S. 18	
BY: J.S.		CHECKED: J.S.	
FILE: 81-18002-18		DATE: 1-25-58	
BY: J.S.		CHECKED: J.S.	

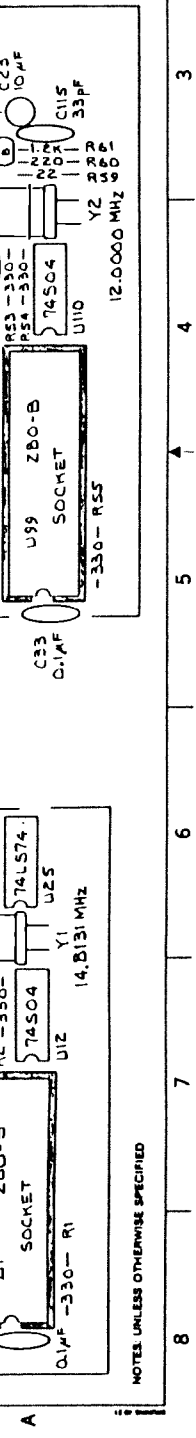
REV.	DESCRIPTION	DATE	APPROVED



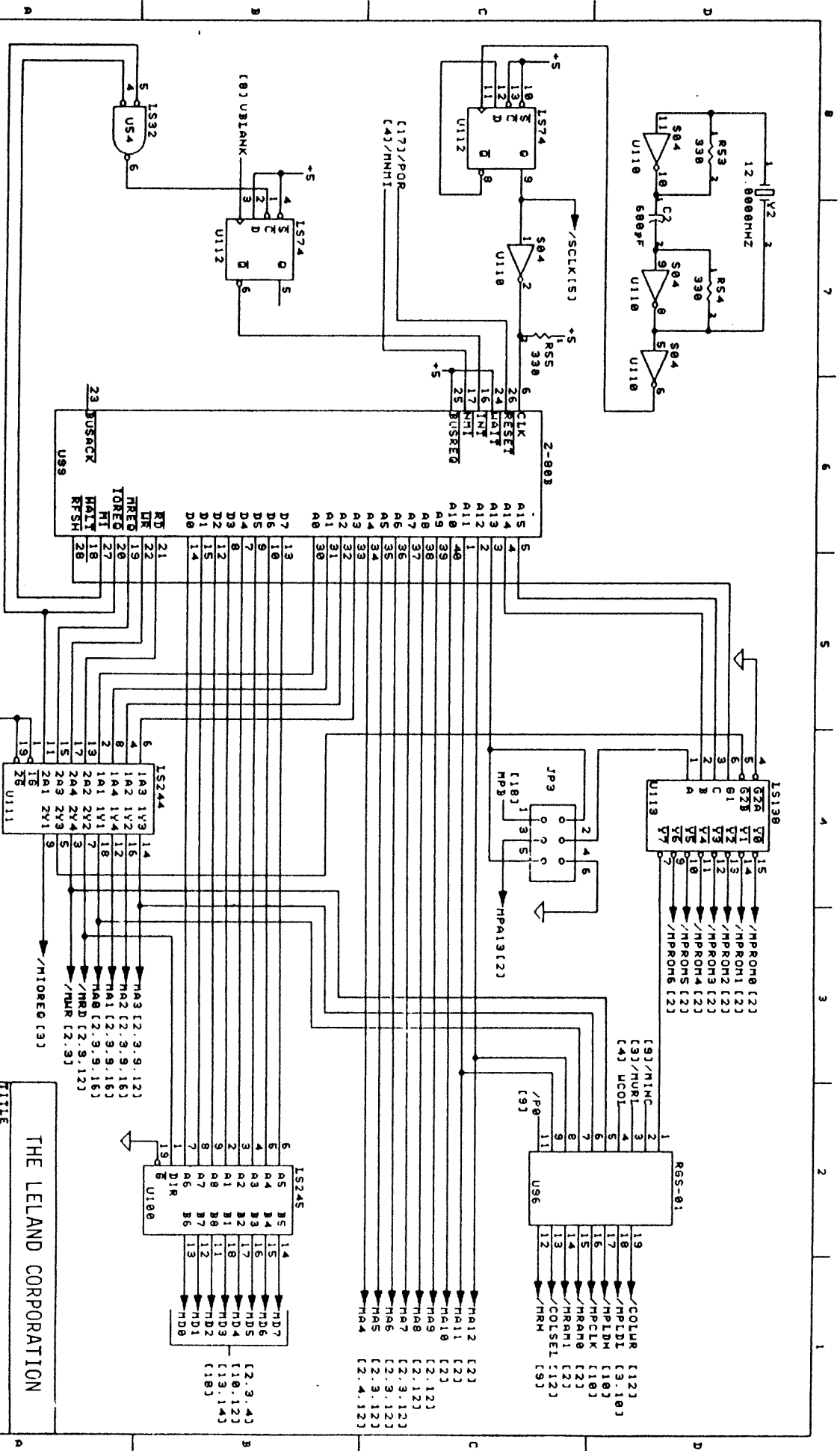
1. RESISTOR VALUES ARE OHMS, RESISTORS ARE 1/4 W
2. SYMBOL \oplus IS 0.1UF SOUV DISC CAPACITOR (C27-C25)
3. SYMBOL \ominus IS 10UF 16V ELECTROLYTIC RAD. CAP (C22-C26)
4. SYMBOL \odot IS TESTPOINT (TP1-TP7) (BOTH SHOWN)
5. VRI-VOLUME POT, INSTALL EITHER STAND-UP OR LAY-DOWN
6. SYMBOL \circ IS A 0.01UF MONOLITHIC CAPACITOR
7. R56 AND R58 MAY BE 1/4 W
8. SYMBOL \square IS JUMPER PACK, TYP. PINOUT (P1-3) (BOTH SHOWN)

MATERIAL	DATE	REV.	BY	CHKD.

PROJECT TITLE: MAIN LOGIC
 PROJECT NO: B1-12170-12 A
 SHEET: 1 OF 1

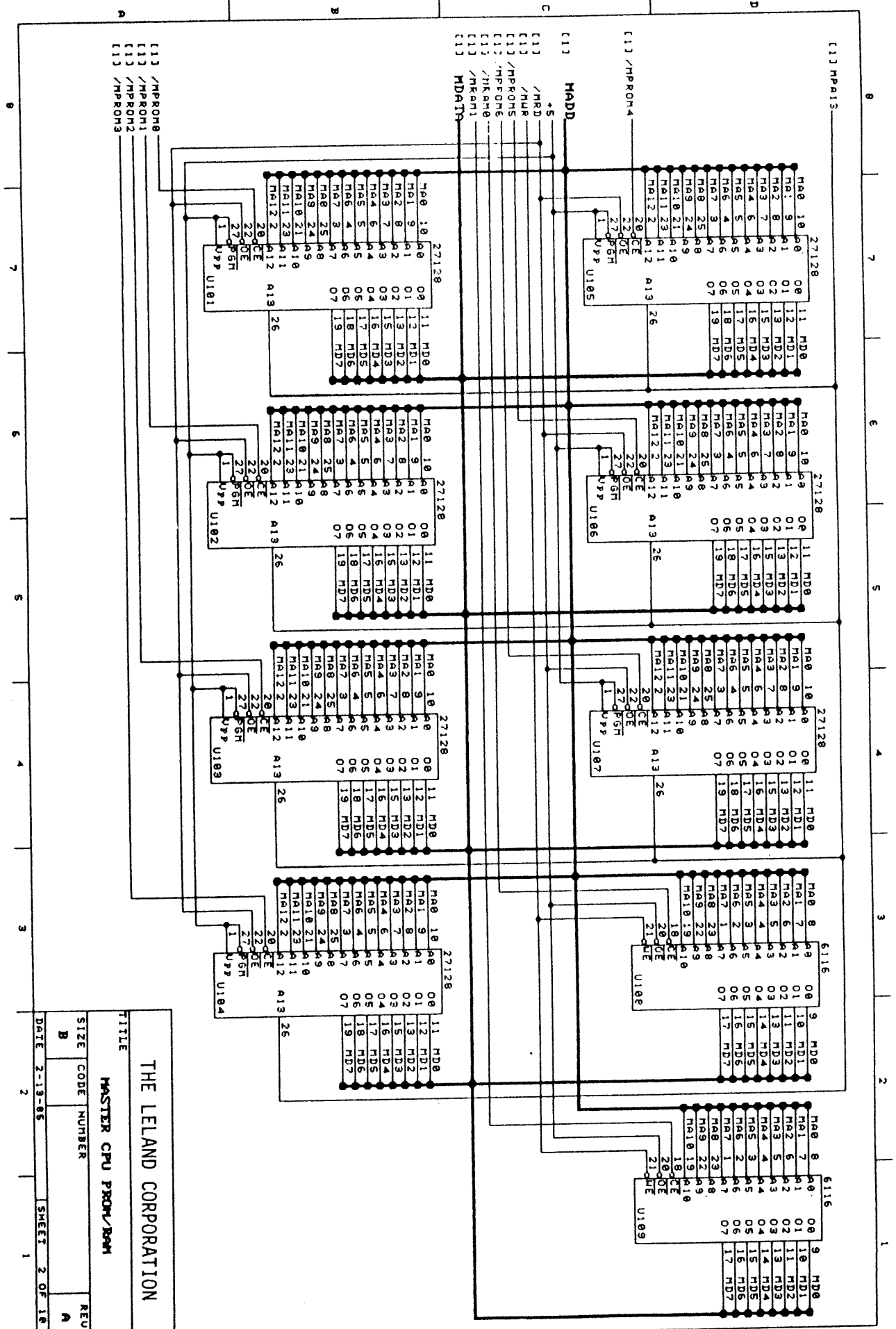


NOTES: UNLESS OTHERWISE SPECIFIED



TITLE			
MASTER CPU			
SIZE	CODE	NUMBER	REV
B			A
DATE 2-13-85			SHEET 1 OF 18

THE LELAND CORPORATION

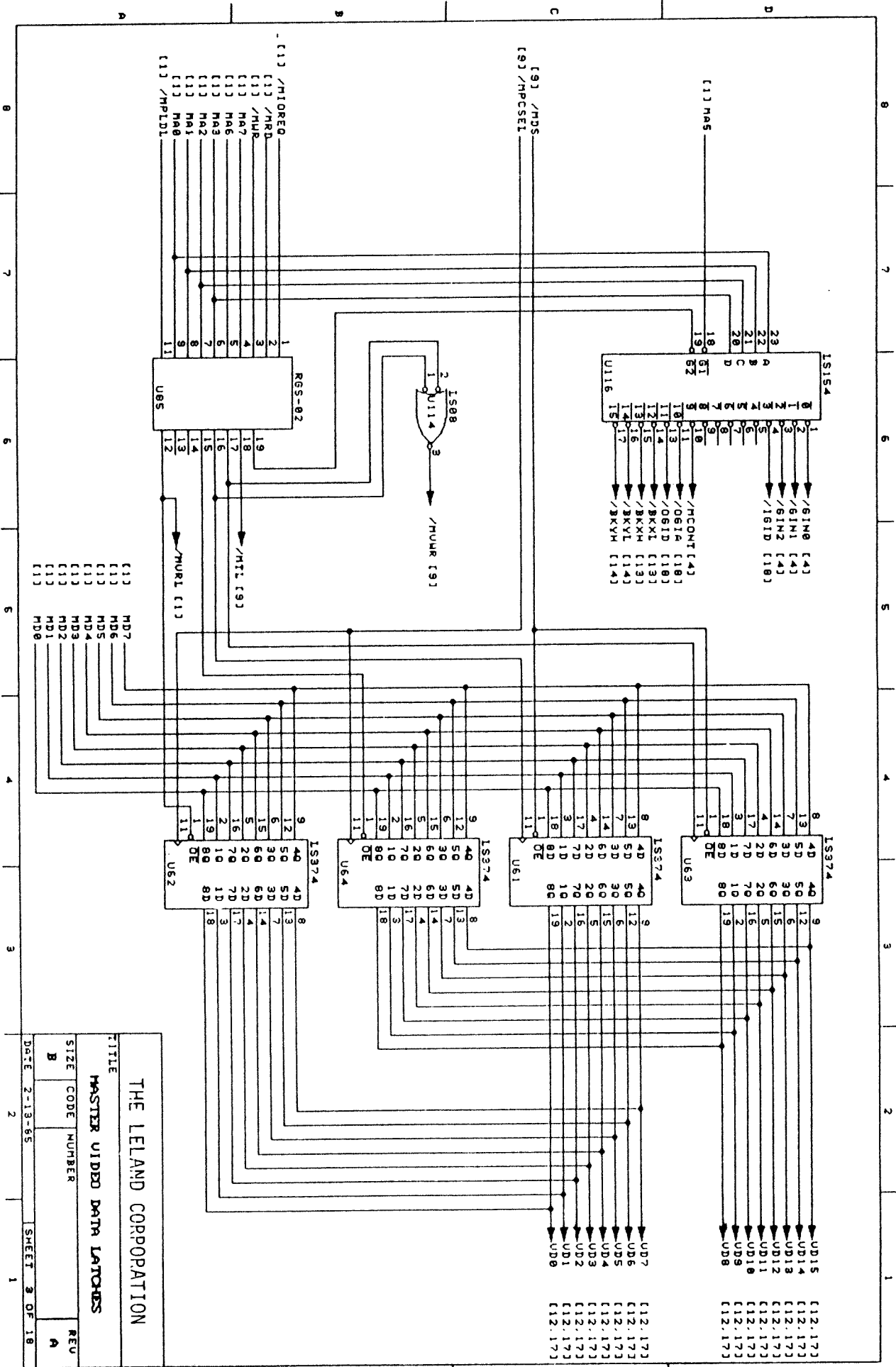


THE LELAND CORPORATION

TITLE MASTER CPU PROM/ROM

SIZE	CODE	NUMBER	REV
B			A

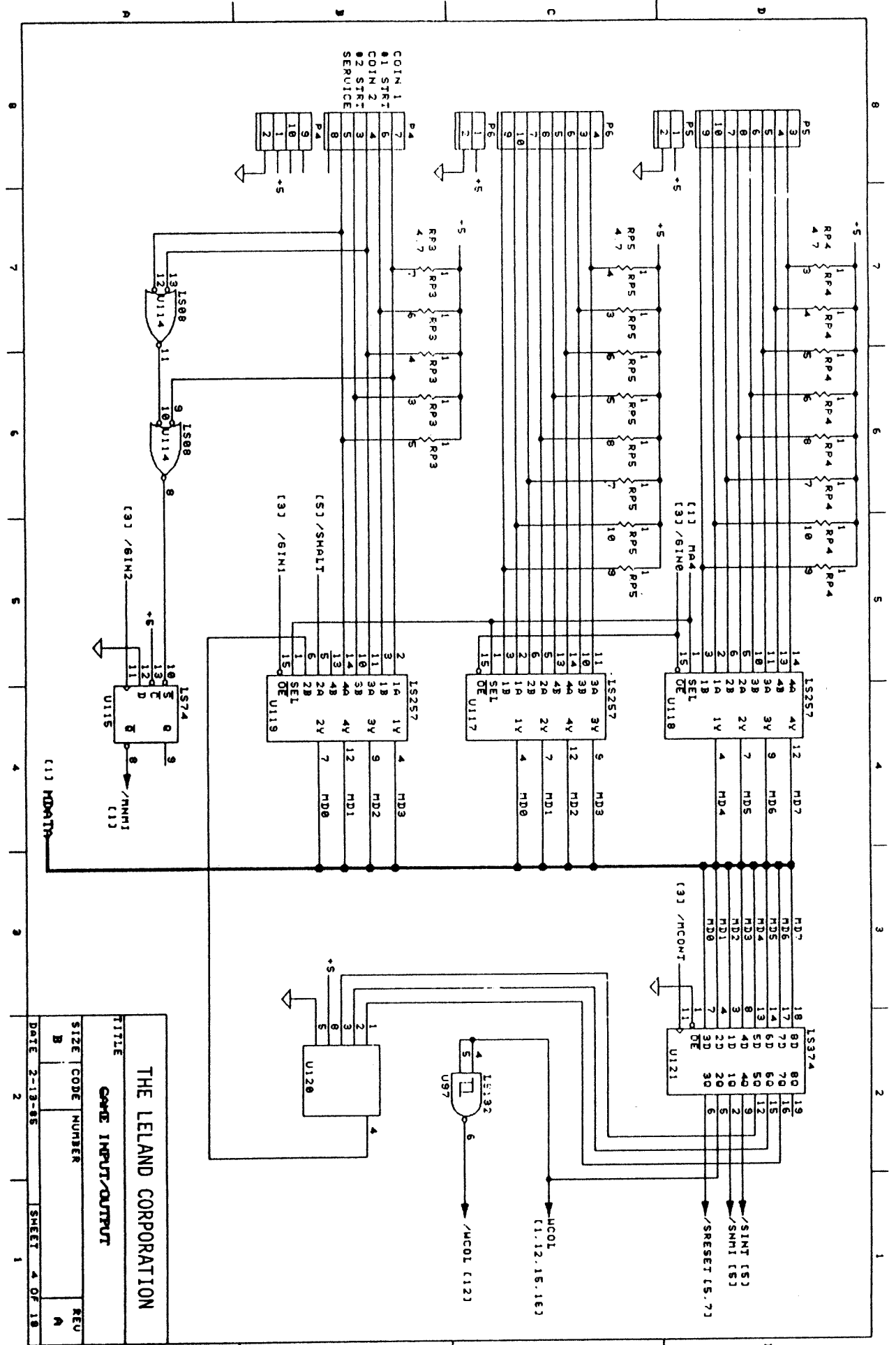
DATE 2-13-85 SHEET 2 OF 10



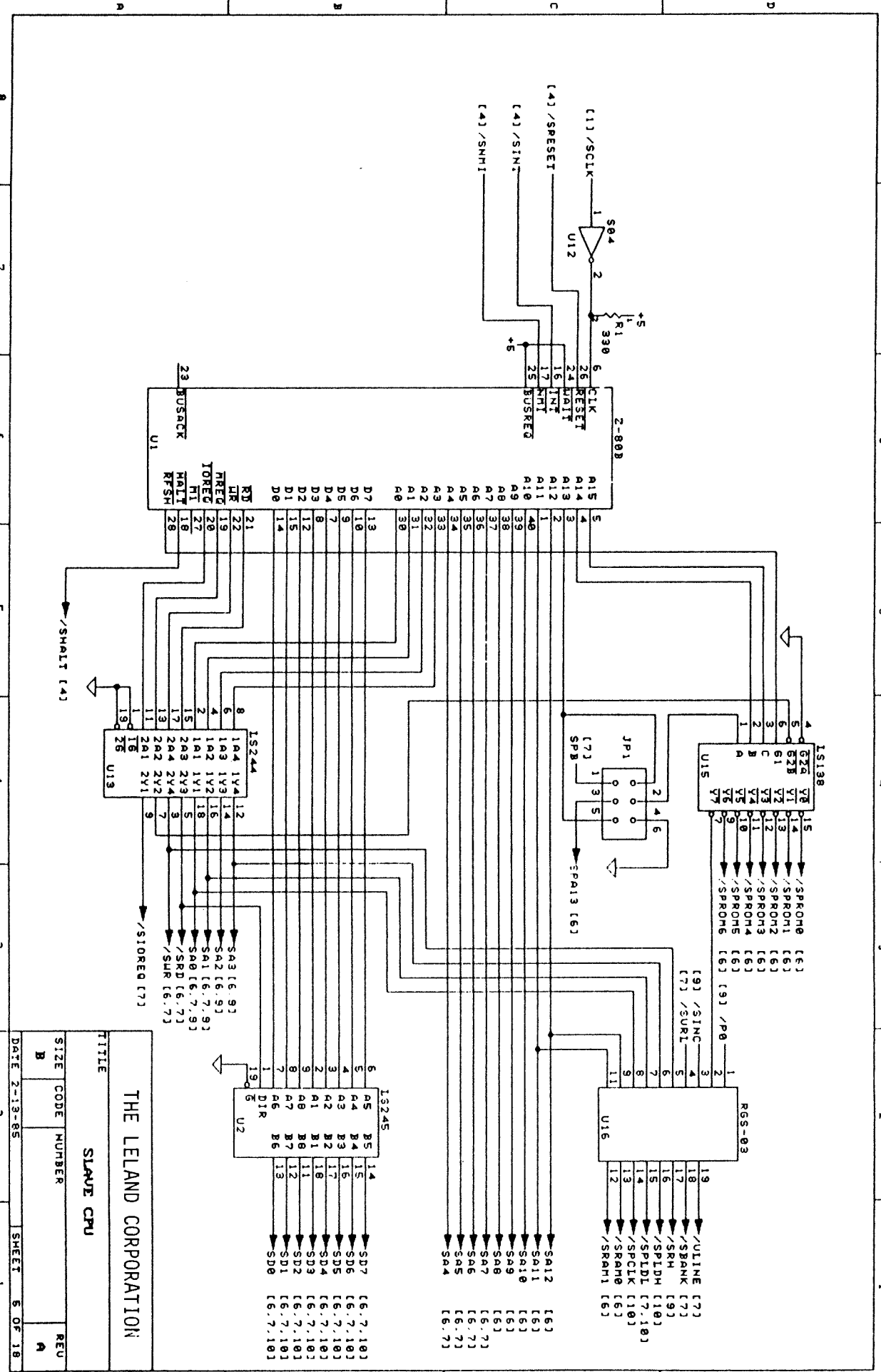
THE LELAND CORPORATION

MASTER VIDEO DATA LATCHES

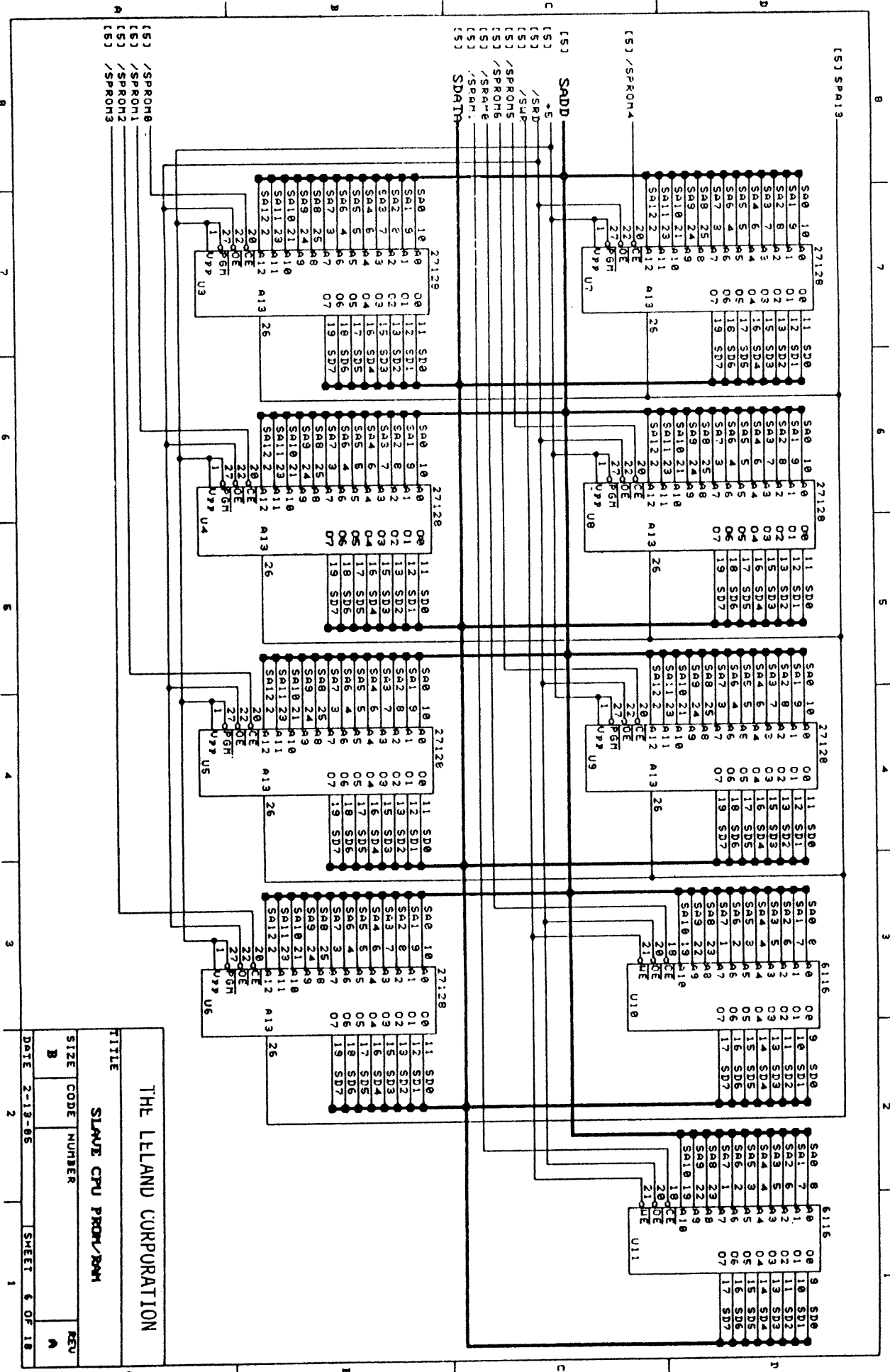
TITLE	REV
MASTER VIDEO DATA LATCHES	A
SIZE CODE	NUMBER
B	2
DATE	SHEET
2-13-85	3 OF 18



TITLE THE LELAND CORPORATION
 GAME INPUT/OUTPUT
 SIZE CODE NUMBER
 B
 DATE 2-13-85 SHEET 4 OF 18



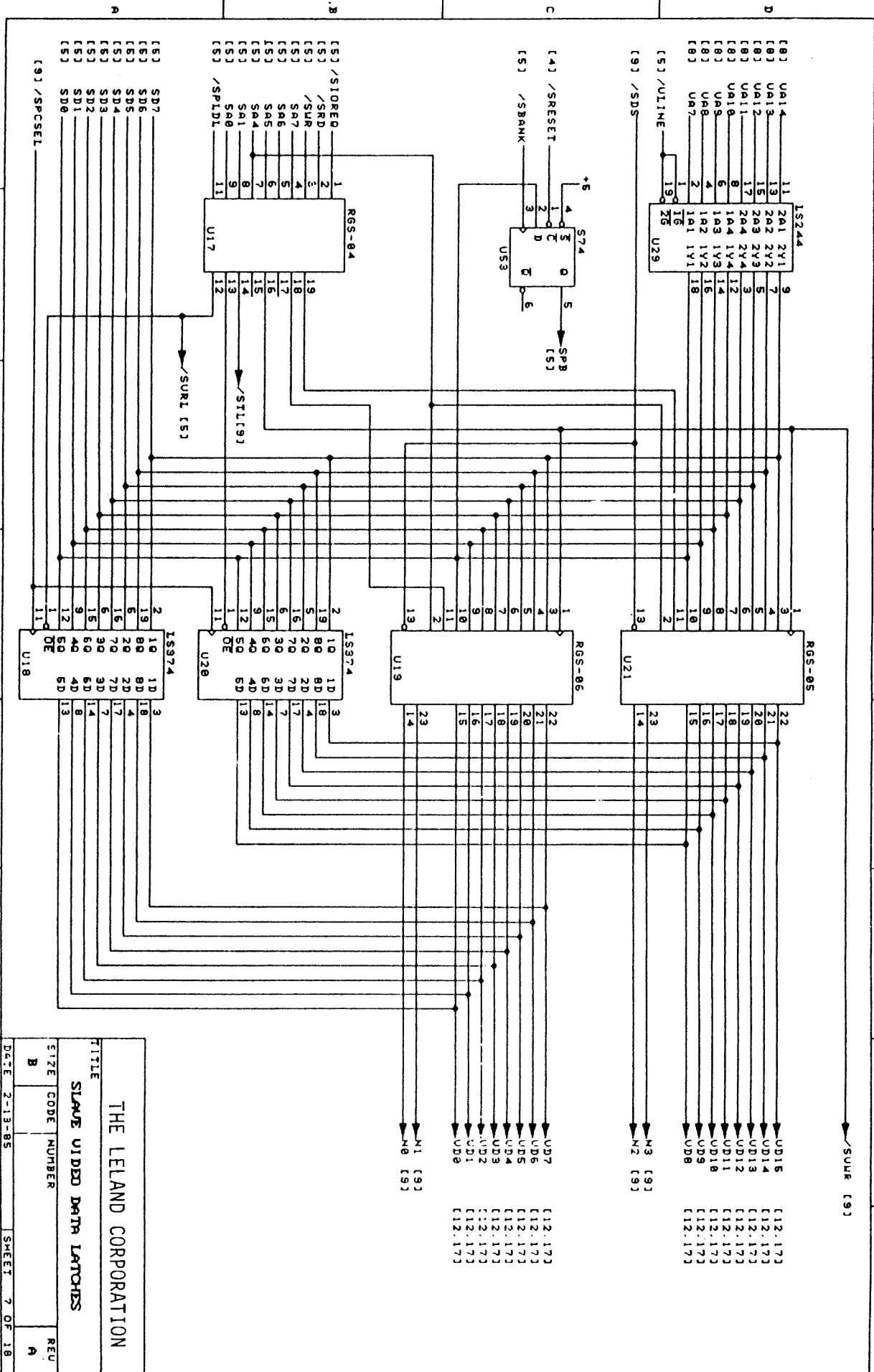
THE LELAND CORPORATION			
TITLE SLAVE CPU			
SIZE	CODE	NUMBER	REU
B			A
DATE 2-13-85		SHEET	5 OF 18



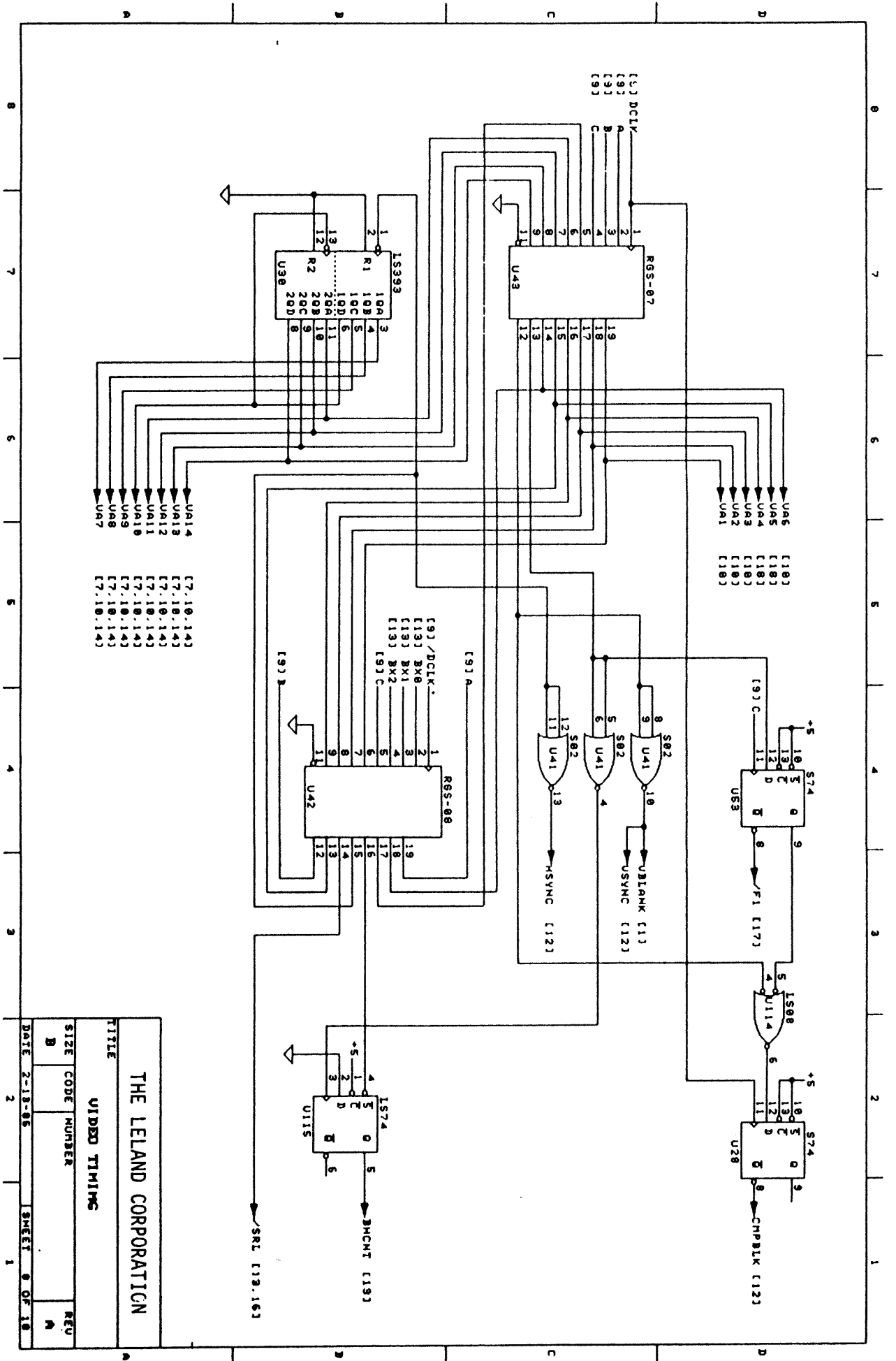
(S) /SPROM0
 (S) /SPROM1
 (S) /SPROM2
 (S) /SPROM3

(S) SADD
 (S) /SRD
 (S) /SLR
 (S) /SPROM5
 (S) /SPROM6
 (S) /SPROM7
 (S) /SPROM8
 (S) /SPROM9
 (S) /SPROM10
 (S) /SPROM11
 (S) /SPROM12
 (S) /SPROM13
 (S) /SPROM14
 (S) /SPROM15
 (S) /SPROM16
 (S) /SPROM17
 (S) /SPROM18
 (S) /SPROM19
 (S) /SPROM20
 (S) /SPROM21
 (S) /SPROM22
 (S) /SPROM23
 (S) /SPROM24
 (S) /SPROM25
 (S) /SPROM26
 (S) /SPROM27
 (S) /SPROM28
 (S) /SPROM29
 (S) /SPROM30
 (S) /SPROM31
 (S) /SPROM32
 (S) /SPROM33
 (S) /SPROM34
 (S) /SPROM35
 (S) /SPROM36
 (S) /SPROM37
 (S) /SPROM38
 (S) /SPROM39
 (S) /SPROM40
 (S) /SPROM41
 (S) /SPROM42
 (S) /SPROM43
 (S) /SPROM44
 (S) /SPROM45
 (S) /SPROM46
 (S) /SPROM47
 (S) /SPROM48
 (S) /SPROM49
 (S) /SPROM50
 (S) /SPROM51
 (S) /SPROM52
 (S) /SPROM53
 (S) /SPROM54
 (S) /SPROM55
 (S) /SPROM56
 (S) /SPROM57
 (S) /SPROM58
 (S) /SPROM59
 (S) /SPROM60
 (S) /SPROM61
 (S) /SPROM62
 (S) /SPROM63
 (S) /SPROM64
 (S) /SPROM65
 (S) /SPROM66
 (S) /SPROM67
 (S) /SPROM68
 (S) /SPROM69
 (S) /SPROM70
 (S) /SPROM71
 (S) /SPROM72
 (S) /SPROM73
 (S) /SPROM74
 (S) /SPROM75
 (S) /SPROM76
 (S) /SPROM77
 (S) /SPROM78
 (S) /SPROM79
 (S) /SPROM80
 (S) /SPROM81
 (S) /SPROM82
 (S) /SPROM83
 (S) /SPROM84
 (S) /SPROM85
 (S) /SPROM86
 (S) /SPROM87
 (S) /SPROM88
 (S) /SPROM89
 (S) /SPROM90
 (S) /SPROM91
 (S) /SPROM92
 (S) /SPROM93
 (S) /SPROM94
 (S) /SPROM95
 (S) /SPROM96
 (S) /SPROM97
 (S) /SPROM98
 (S) /SPROM99
 (S) /SPROM100

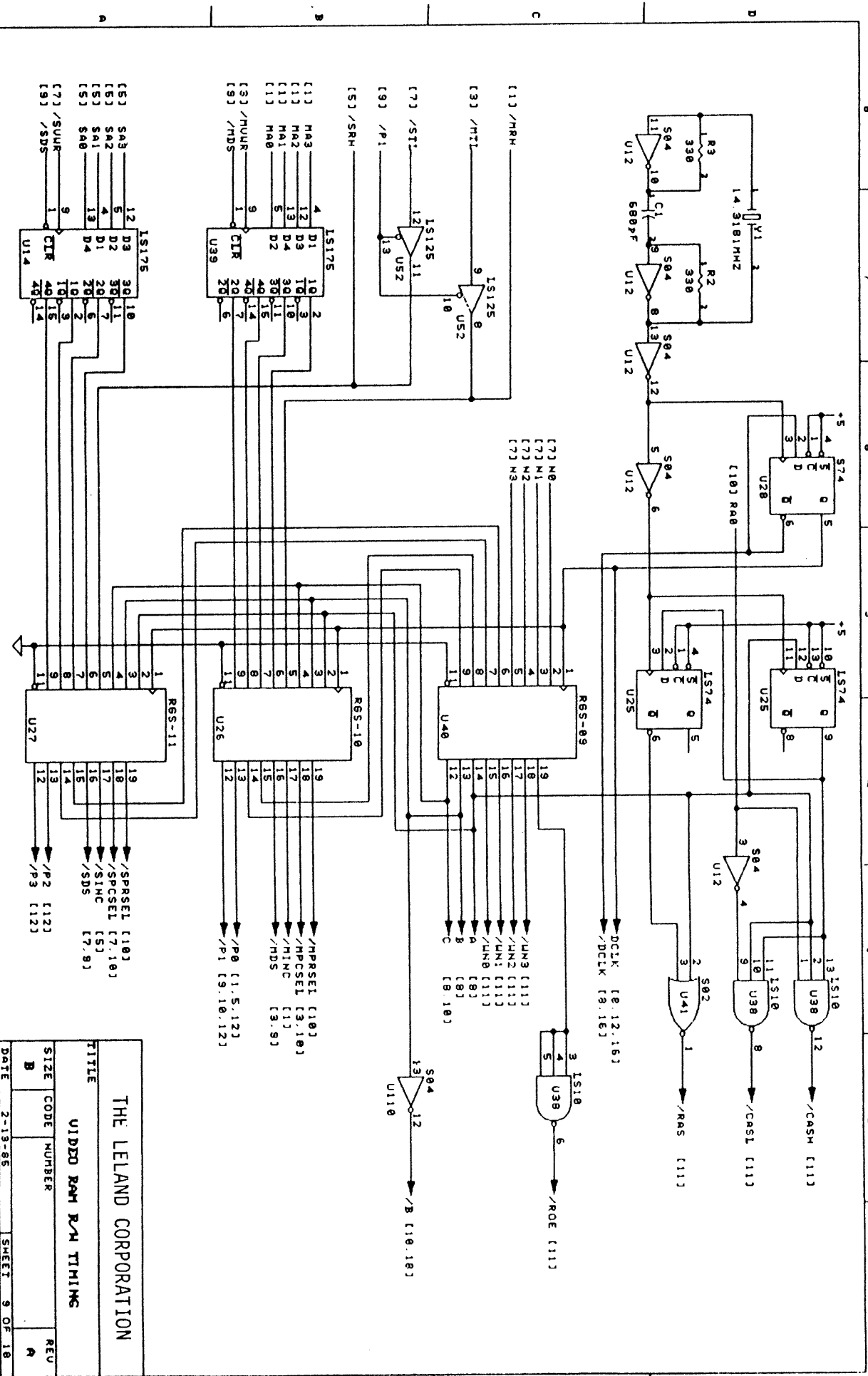
THE LELAND CORPORATION
 TITLE: SLAVE CPU PROM/DWH
 SIZE CODE NUMBER: B
 DATE: 2-18-85
 SHEET: 6 OF 18



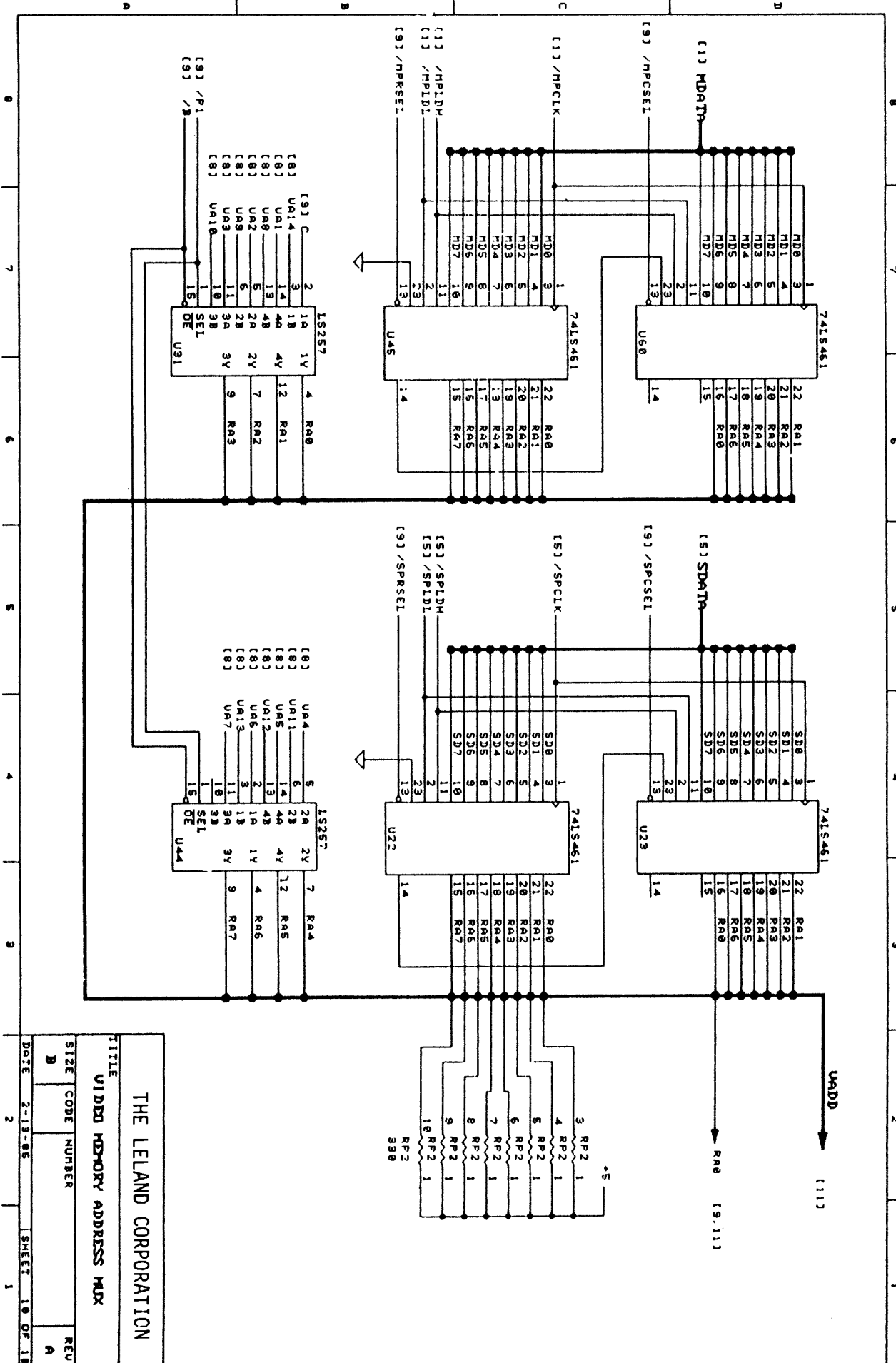
THE LELAND CORPORATION			
SLAVE VIDEO DATA LATCHES			
SIZE	CODE	NUMBER	REV
B			A
DATE	2-13-85		SHEET 7 OF 18



THE LELAND CORPORATION			
TITLE VIDEO TIMING			
SIZE	CODE	NUMBER	REV
D			A
DATE 2-18-85			SHEET 8 OF 18

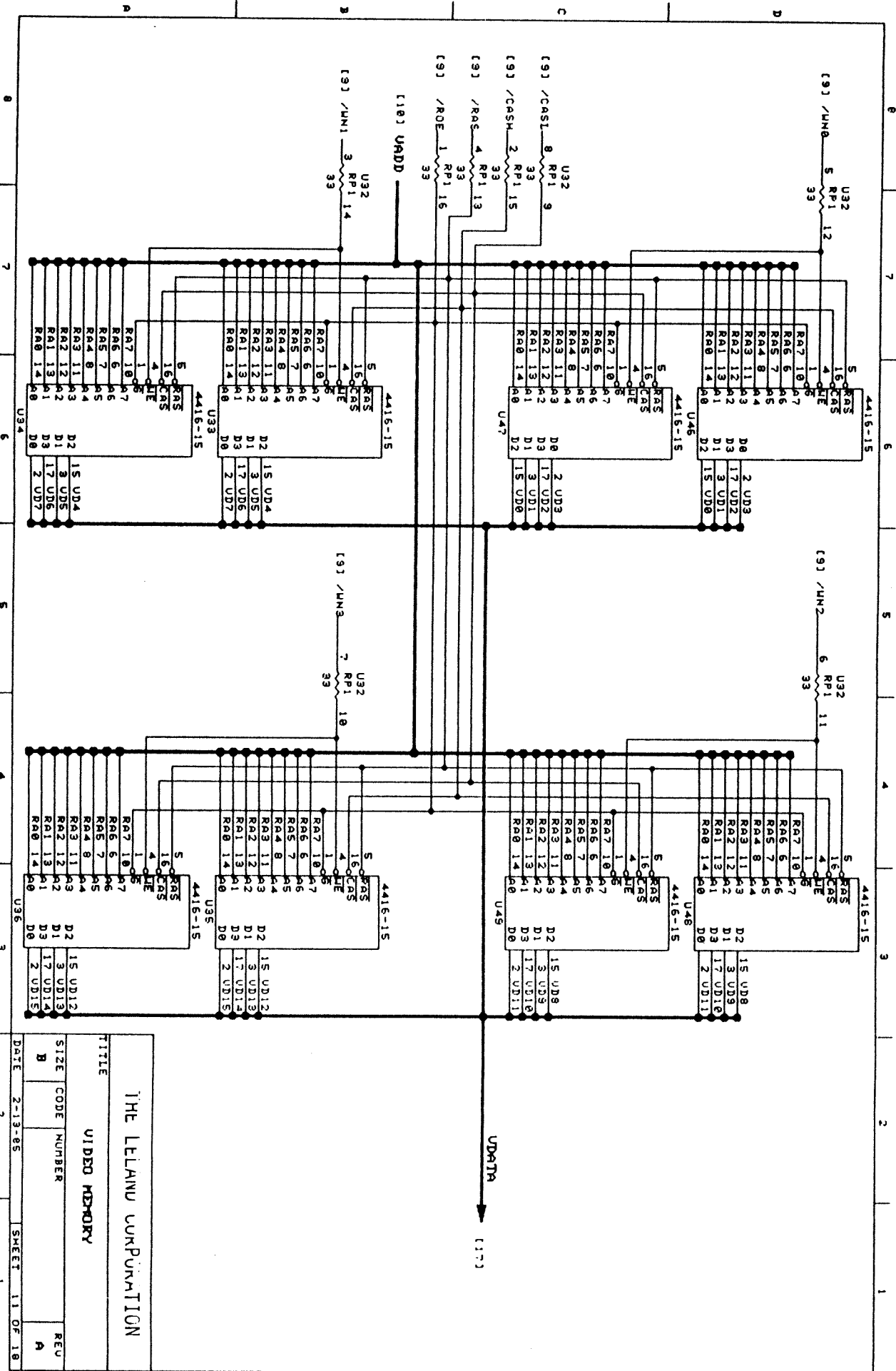


THE LELAND CORPORATION	
TITLE VIDEO RAM RAM TIMING	
SIZE B	CODE NUMBER
REV A	REV
DATE 2-13-85	SHEET 9 OF 10



THE LELAND CORPORATION
 VIDEO MEMORY ADDRESS MUX

TITLE	VIDEO MEMORY ADDRESS MUX	REV	A
SIZE	CODE NUMBER		
B			
DATE	2-13-85	SHEET	10 OF 18

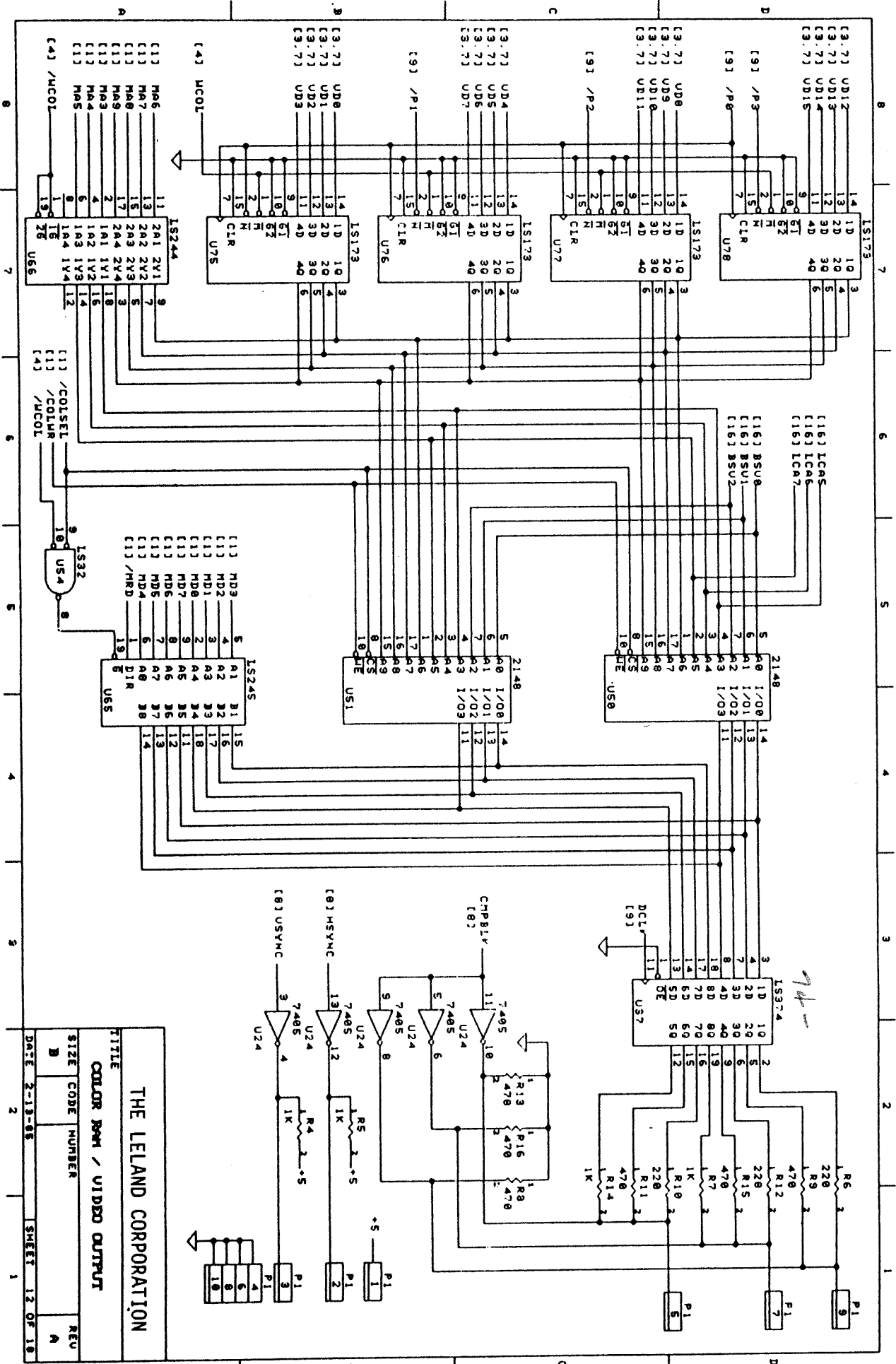


THE LELAND CORPORATION

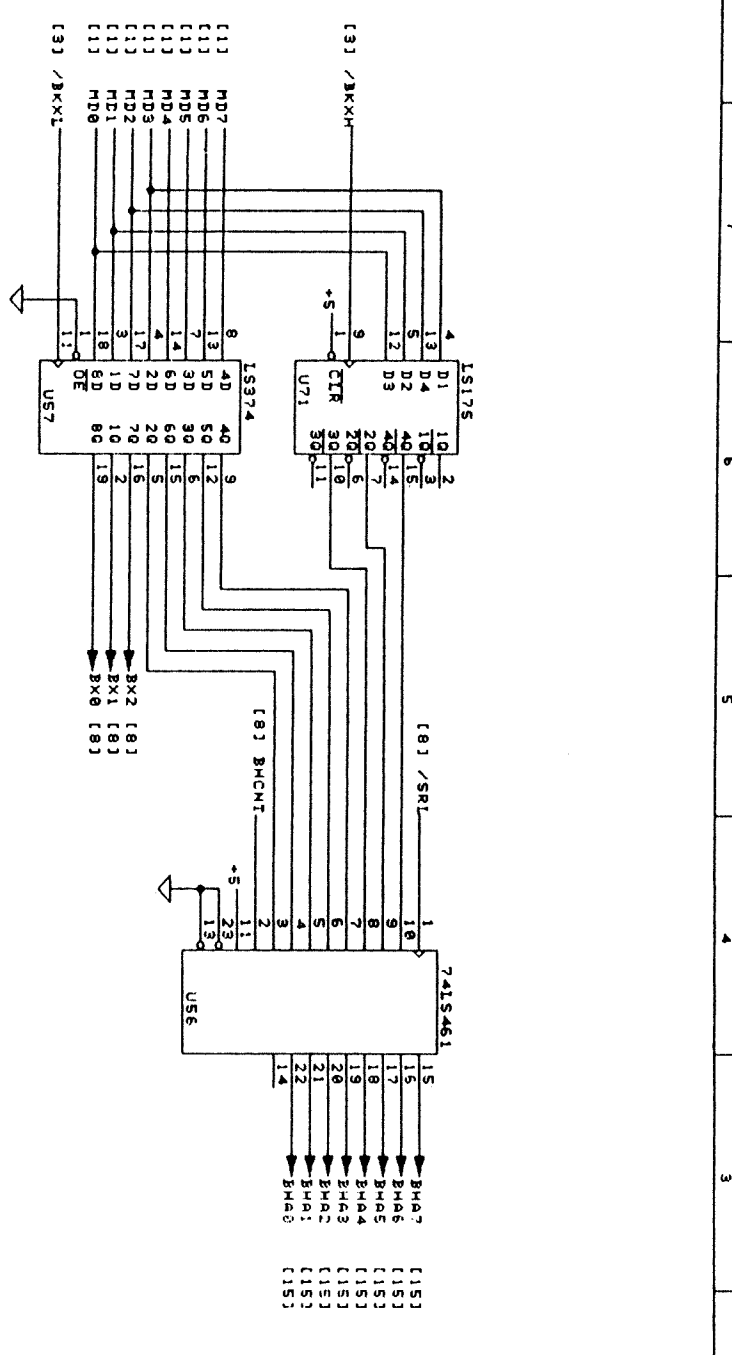
VIDEO MEMORY

TITLE	VIDEO MEMORY		
SIZE	CODE	NUMBER	REV
B			A

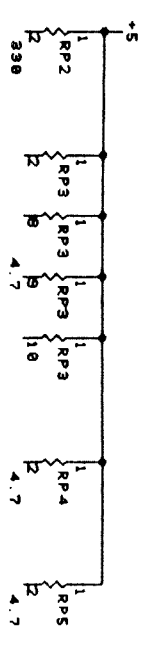
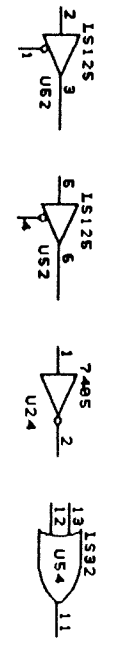
DATE 2-13-85 SHEET 11 OF 18



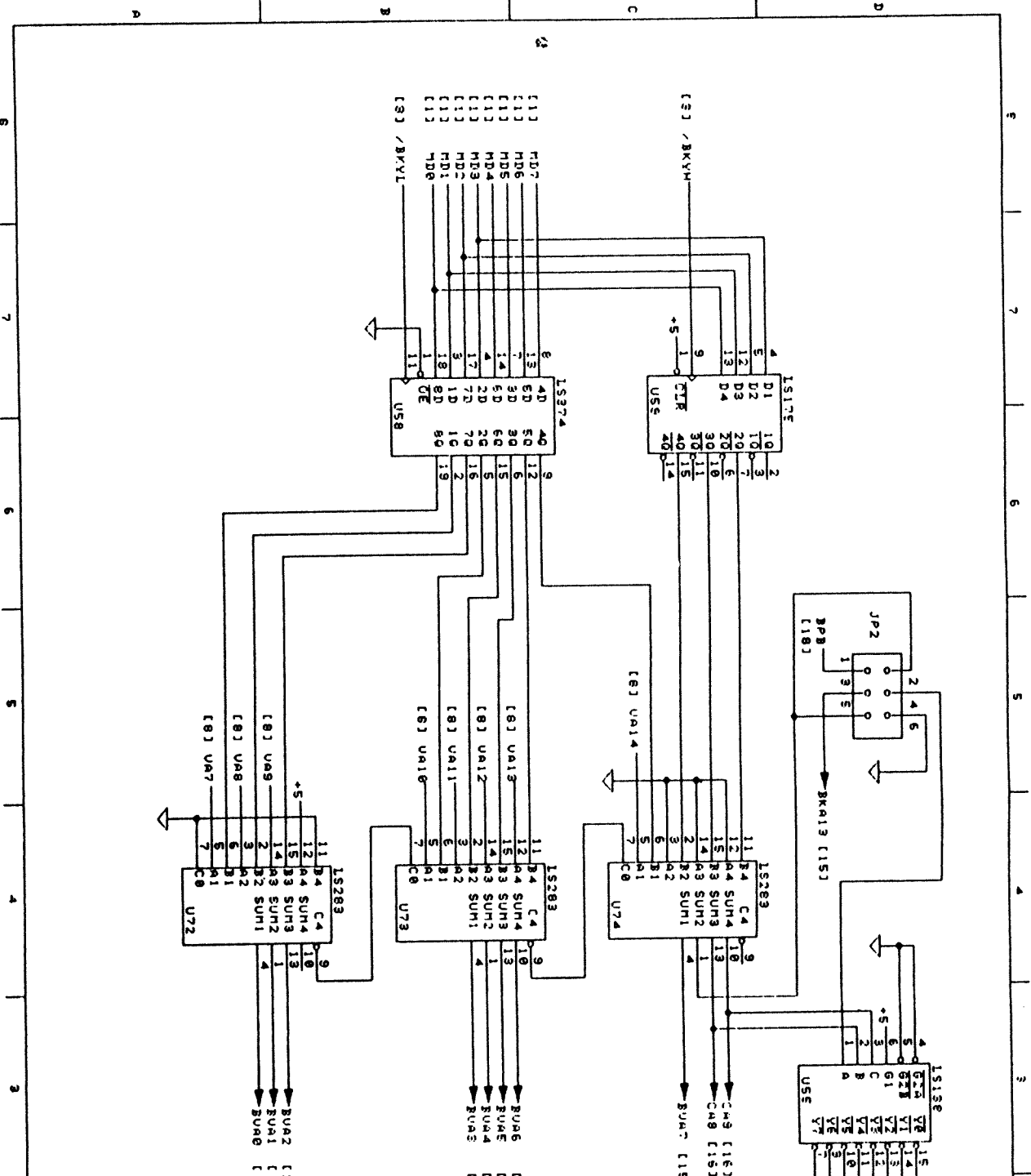
THE LELAND CORPORATION
COLOR B&W / VIDEO OUTPUT
 TITLE
 SIZE CODE NUMBER
 REV A
 DATE 2-13-85 SHEET 12 OF 18



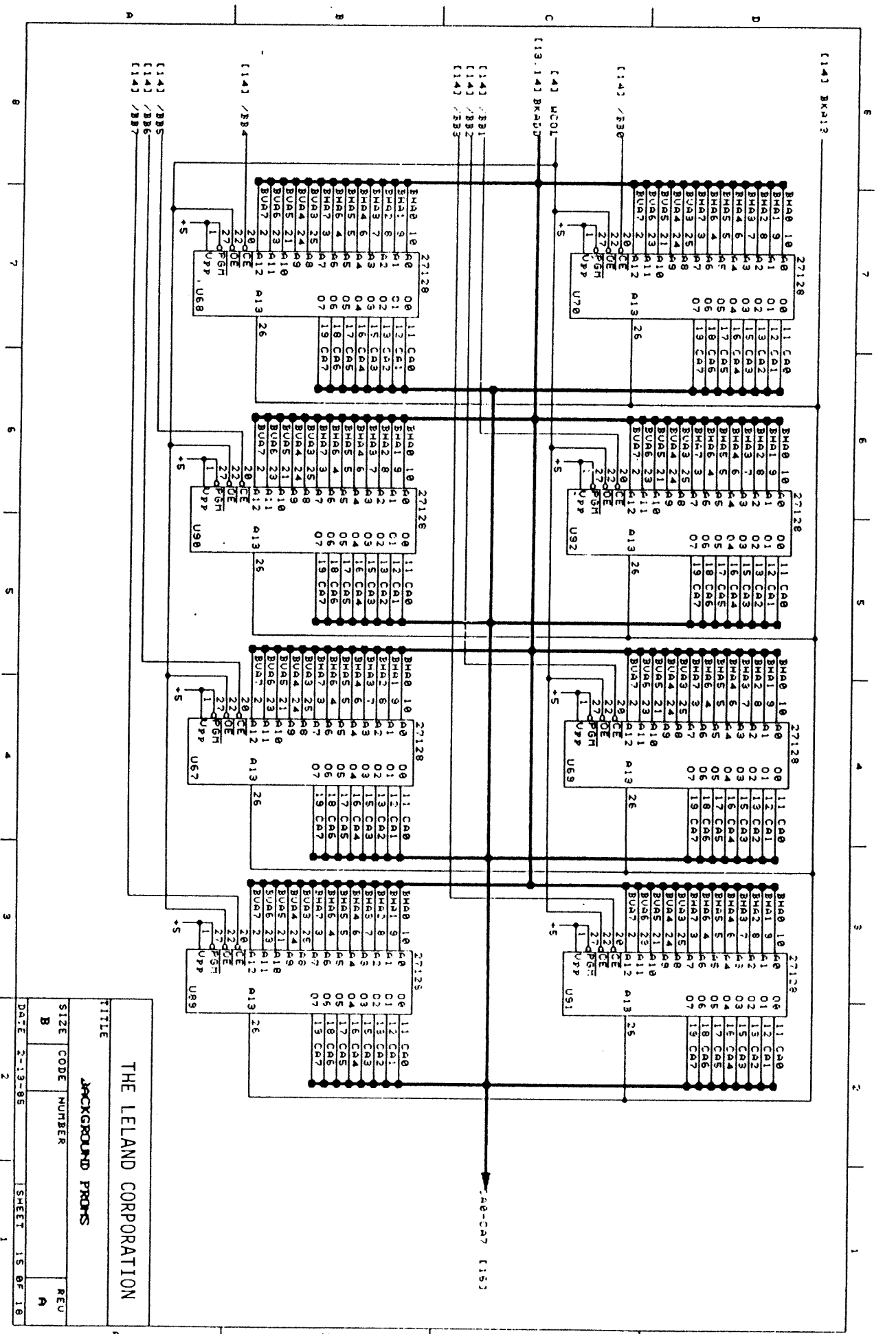
SPARE GATES



THE LELAND CORPORATION			
TITLE			
BACKGROUND HORIZONTAL ADDRESS			
SIZE	CODE	NUMBER	REV
B			A
DATE 2-13-85		SHEET 13 OF 18	



THE LELAND CORPORATION	
TITLE BACKGROUND VERTICAL ADDRESS	
SIZE	CODE
B	MURDER
DATE 2-13-65	SHEET 14 OF 18

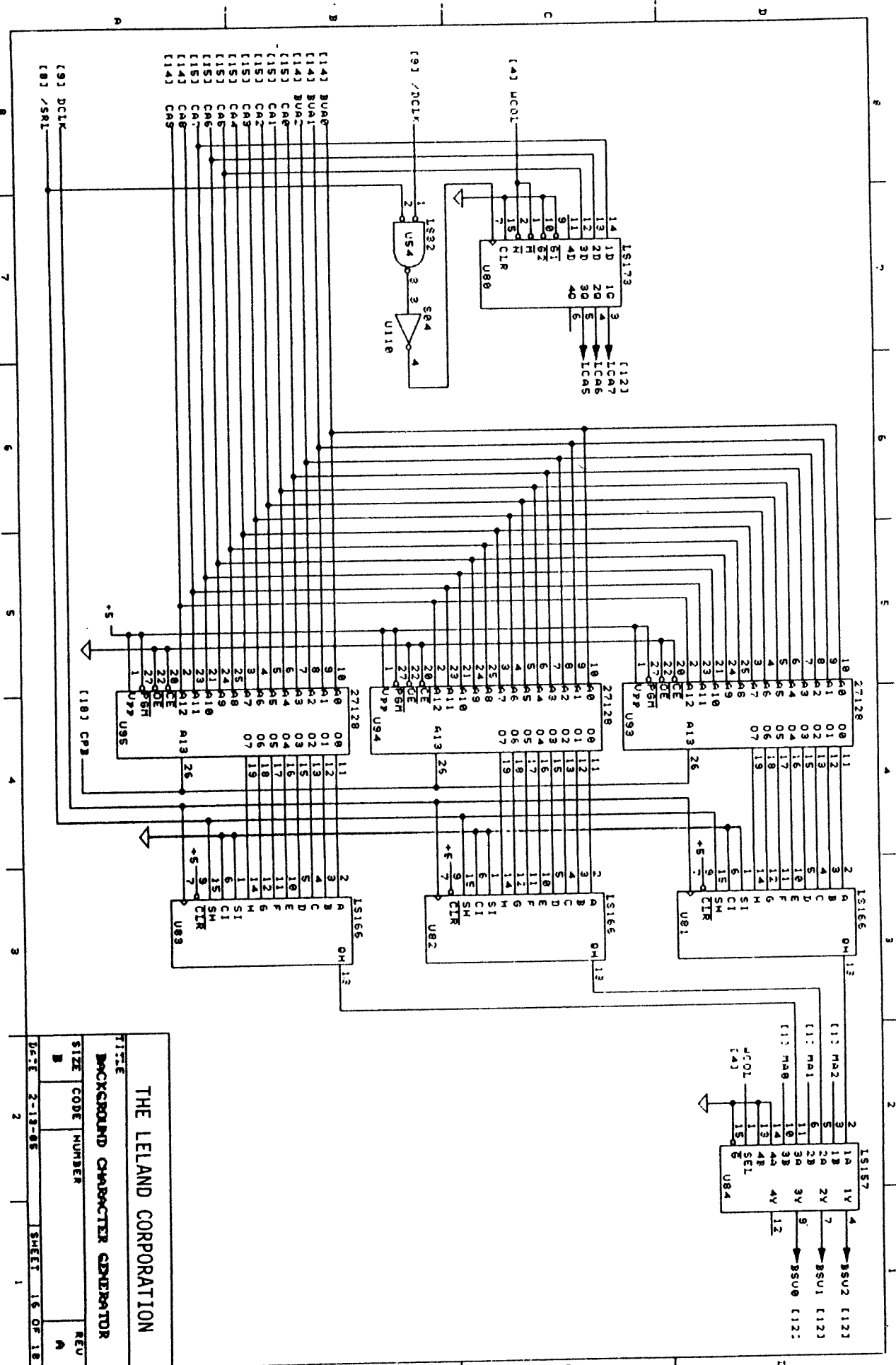


THE LELAND CORPORATION

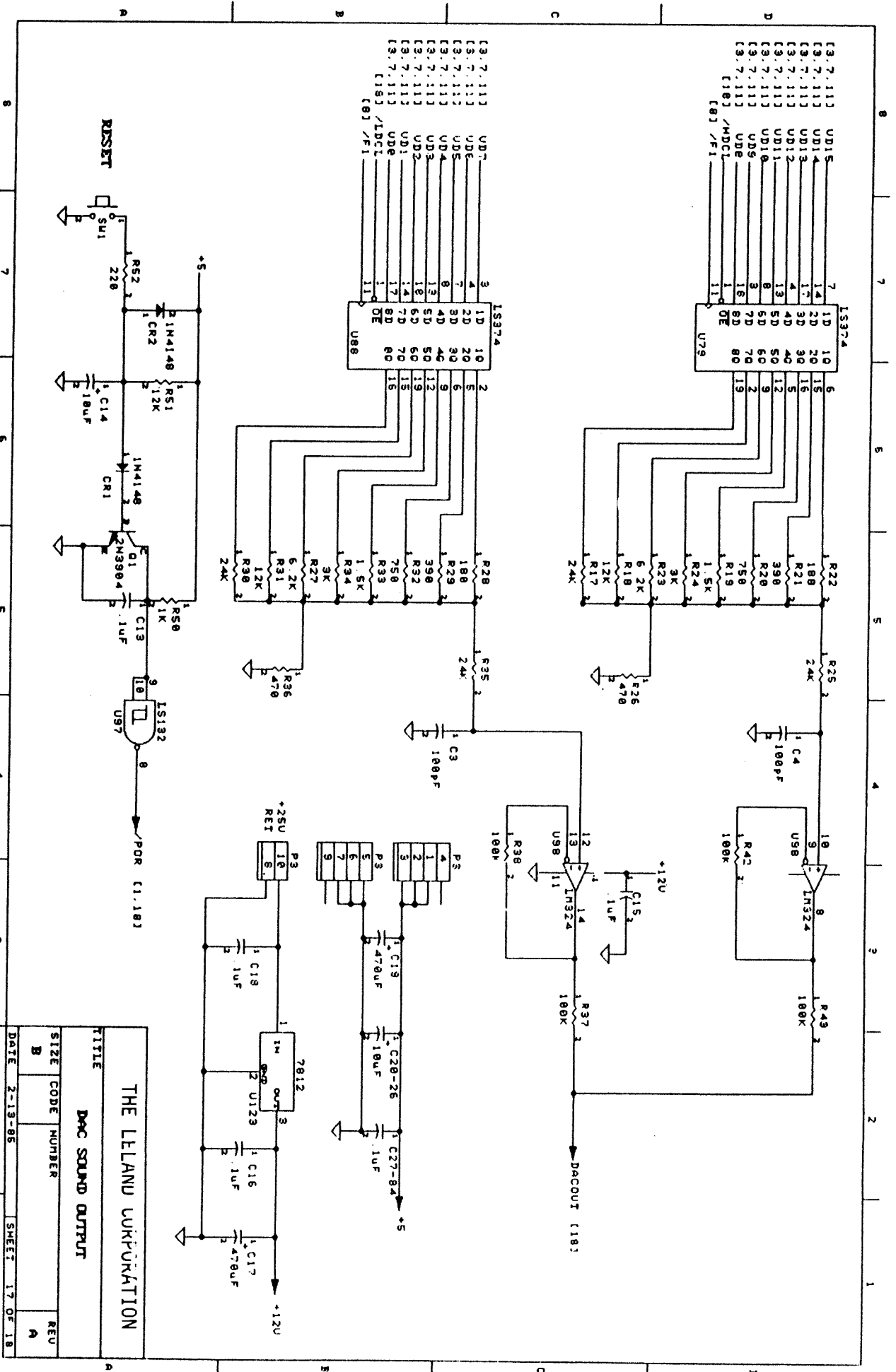
TITLE
BACKGROUND PRIMS

SIZE	CODE	NUMBER	
B			

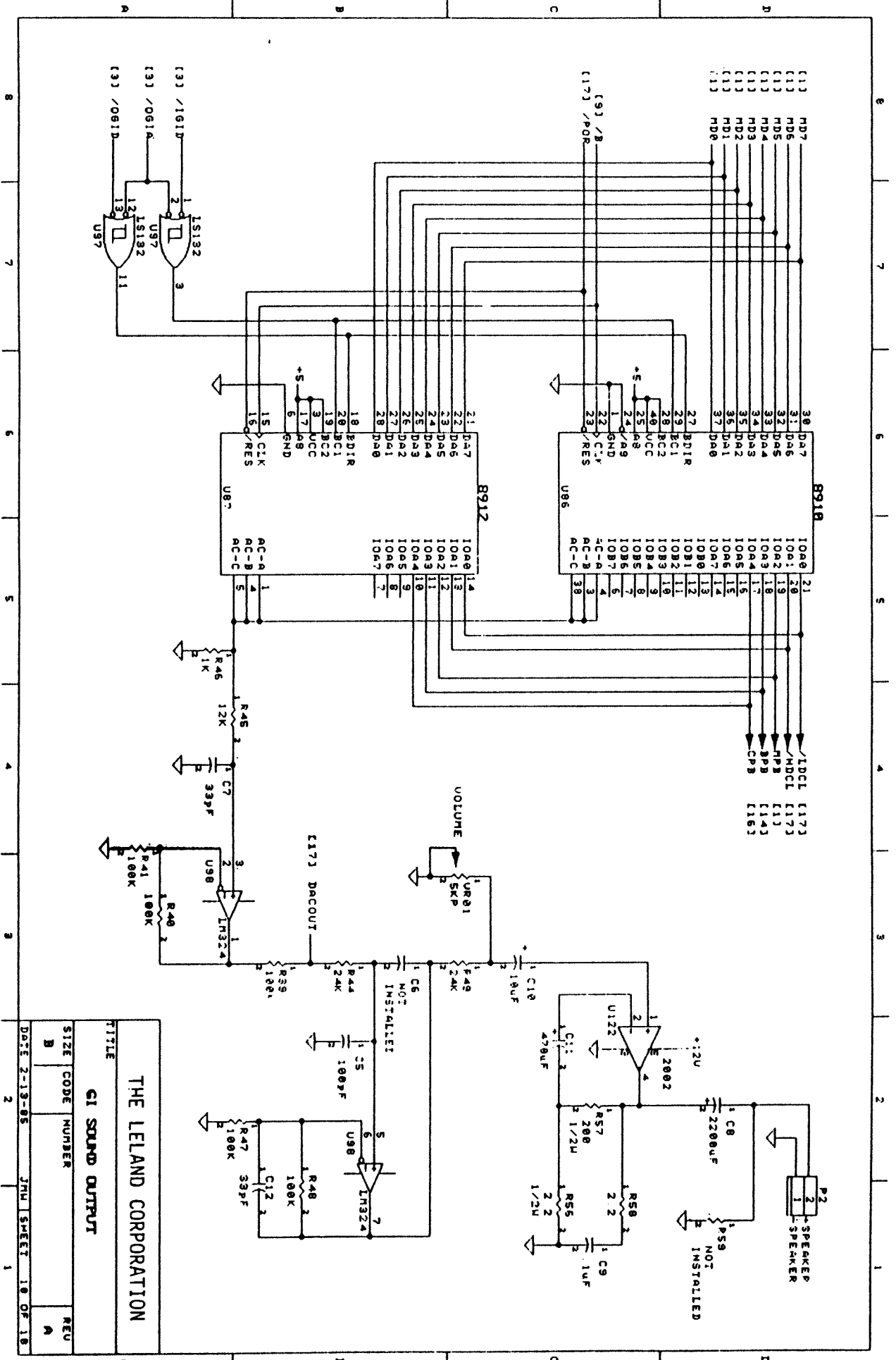
DATE 2-13-85 SHEET 15 OF 18



THE LELAND CORPORATION
 TITLE: BACKGROUND CHARACTER GENERATOR
 SIZE: CODE NUMBER
 DATE: 2-13-65 SHEET 16 OF 18



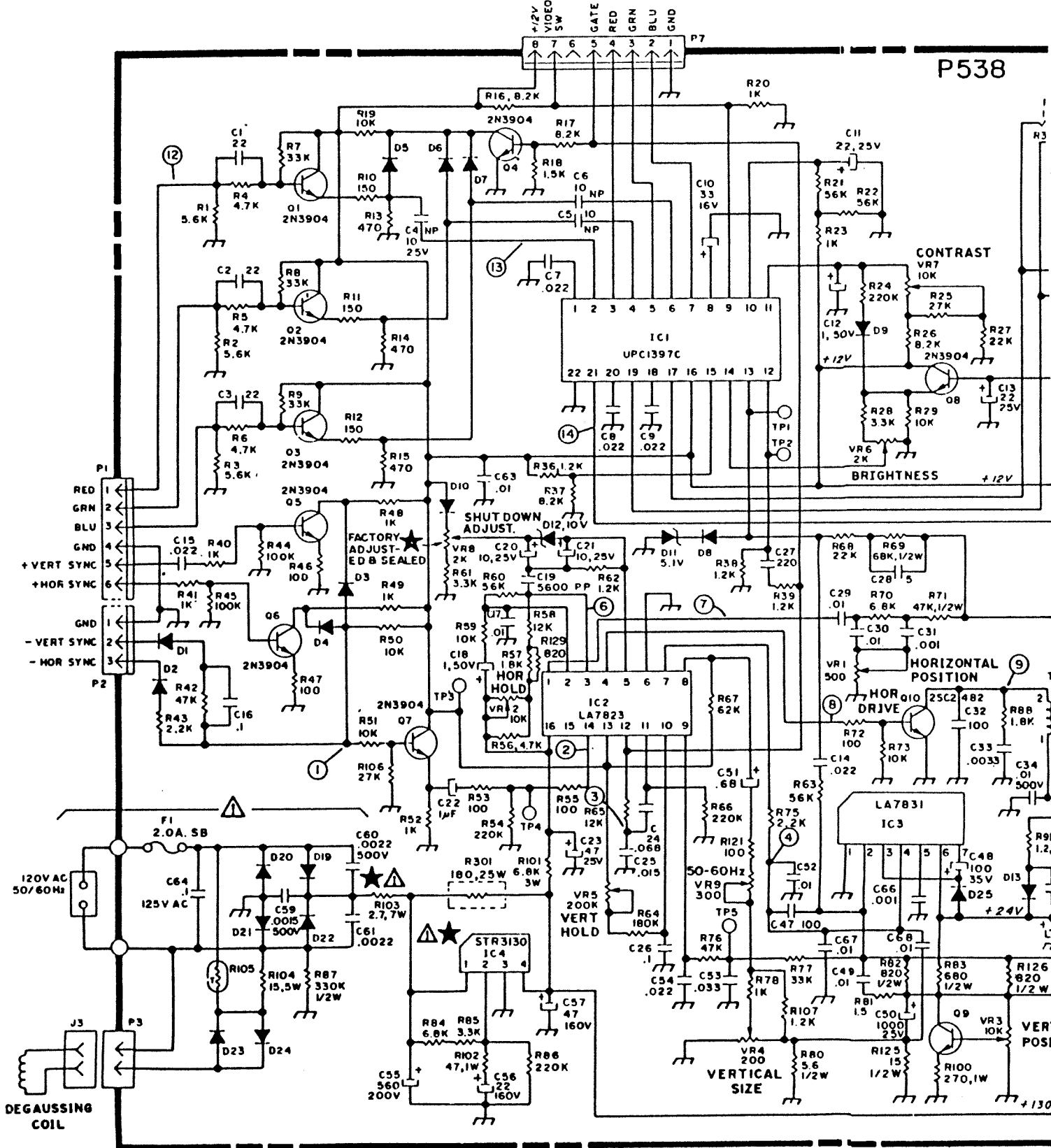
THE LELAND UKIPUKATION			
DAC SOUND OUTPUT			
TITLE	SIZE	CODE	REV
	B		A
DATE	2-13-85	SHEET	17 OF 18

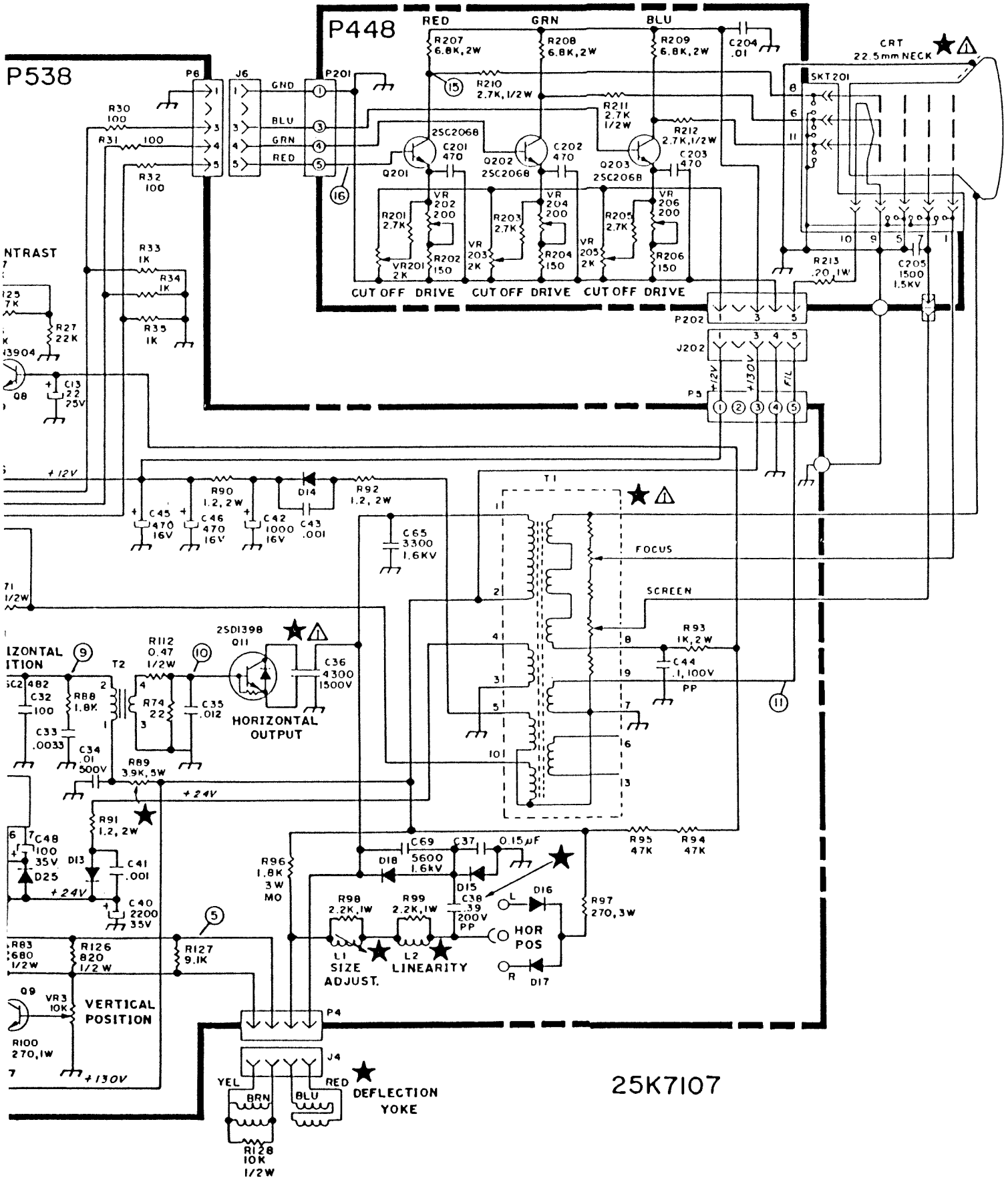


THE LELAND CORPORATION	
TITLE CI SOUND OUTPUT	
SIZE	CODE NUMBER
B	
DATE 2-13-85	JHW 1 SHEET 18 OF 18
REV	A

NOTES:

K7000 COLOR MONITOR SCHEMATIC DIAGRAM







1841 Friendship Dr., El Cajon, CA 92020-9981
619-562-7000 Telex - 4974293 Cintron Fax - 619-562-9468