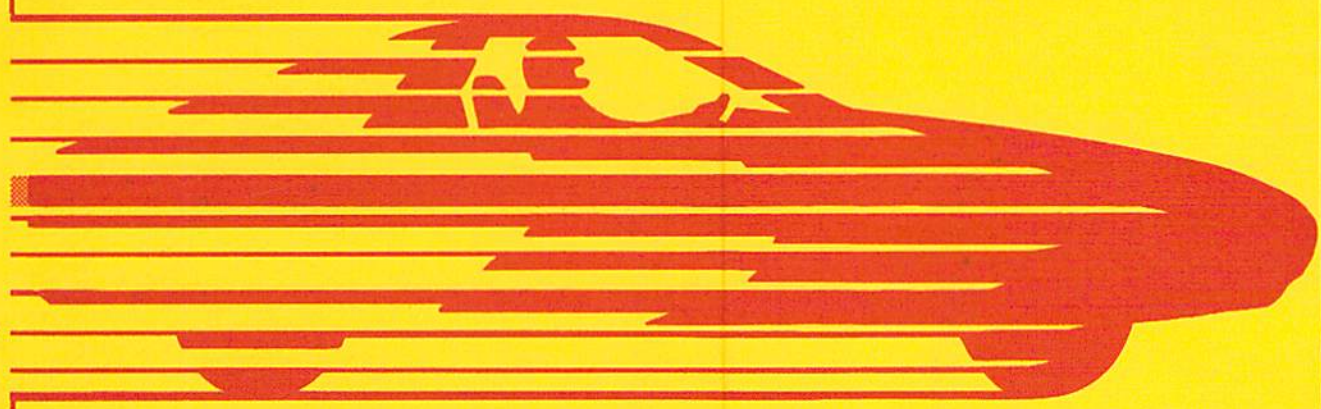


ROMSTAR™



© 1987 Romstar Inc.
Licensed From Talto America Corp. All Rights Reserved.

INSTRUCTION MANUAL

WARNING

THIS GAME MUST BE GROUNDED. FAILURE TO DO SO MAY RESULT IN DESTRUCTION TO ELECTRONIC COMPONENTS.

WARNING: This equipment generates, uses, and can radiate radio frequency energy and if not used in accordance with the instructions manual, may cause interference to radio communications. It has been tested and found to comply with the limits for a CLASS A computing device pursuant to SUBPART J of PART 15 of FCC RULES, which are designed to provide reasonable protection against such interference when operated in a commercial environment. Operation of this equipment in a residential area is likely to cause interference in which case the user at his own expense will be required to take whatever measures may be required to correct the interference.

No part of this manual may be reproduced by any mechanical, photographic or electronic process, or in the form of a phonographic recording, nor may it be stored in a retrieval system, transmitted, or otherwise copied for public or private use, without permission from the publisher.

The game play, all graphic designs, this technical manual, its accompanying diagrams, and the display manual are protected by the law.

You may void the game warranty if you do any of the following:

- substitute non-Romstar Top Speed electronic parts in the game
- modify or alter any circuits in the game by using kits or parts *not* supplied by Romstar.

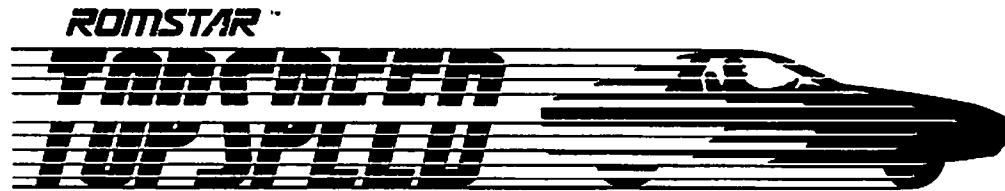


TABLE OF CONTENTS

	PAGE
I. LOCATION AND SETUP	1
II. DIP SWITCH SETTINGS	2
III. CABINET WIRING HARNESS ROUTING	3
A. COIN DOOR MAINTENANCE.....	4
B. CHASSIS GROUND LAYOUT & ROUTING	5
C. NOTES	6
IV. STEERING WHEEL EXPLODED VIEW.....	7
A. STEERING WHEEL COMPONENTS / PARTS NUMBERS.....	8
V. GEAR SHIFT UNIT EXPLODED VIEW.....	9
A. GEAR SHIFT UNIT COMPONENTS / PART NUMBERS	10
VI. SINGLE PEDAL ASSEMBLY EXPLODED VIEW	11
A. SINGLE PEDAL ASSEMBLY COMPONENTS / PARTS NUMBERS....	12
VII. LAYOUTS	
A. MAIN HARNESS PIN OUTPUT	13
B. MAIN HARNESS WIRING DIAGRAM.....	14
C. AC AND GROUND SIDEWALL HARNESS.....	15
D. POWER SUPPLY AND WIRING DIAGRAM	16
E. STEERING OPTIC PCB	17
VIII. LIMITED WARRANTY.....	18
A. FBI WARNING	19
IX. COMMENTS.....	20

LOCATION AND SETUP

INSPECTION

1. Remove the game from its shipping carton.
2. Inspect the entire outside of it for any signs of damage.
 - Any scratches?, dents?, cracks?
 - Any broken controls?
 - Just look it over closely and make a note of any signs of damage.
3. Remove the shipping cleats from the bottom of the cabinet.
4. Install the four levelers, one at each corner of the cabinet.
 - Level the cabinet.
5. Open the cabinet and inspect the inside of the game for any signs of damage.
 - Also check to make sure all plug-in connectors on the wire harness are firmly seated.
 - Replug any connectors found unplugged. **DO NOT FORCE PLUGS INTO CONNECTORS. DO NOT FORCE PLUGS TOGETHER.** If it won't go on easily, assuming the keys are lined up, it either does not belong there or is damaged.
 - Make sure all printed circuit boards (P.C.B.'s) are firmly seated in their connectors. These connectors are also keyed. The P.C.B.'s will only go into them one way without being damaged.
 - Note the location of the game's serial number.
 - Check all major subassemblies to be sure they are mounted securely.

Power supply.

Control panel(s).

T.V. monitor.

Other P.C.B.'s and/or P.C.B. rack, etc.

Power Chassis.

6. Make a note of any problems that can't be easily corrected.
7. Call your distributor and/or service man about your problem list.

NOTE: ALL connectors or plugs are keyed so they will only go together when all pins are properly lined up.

TOP SPEED

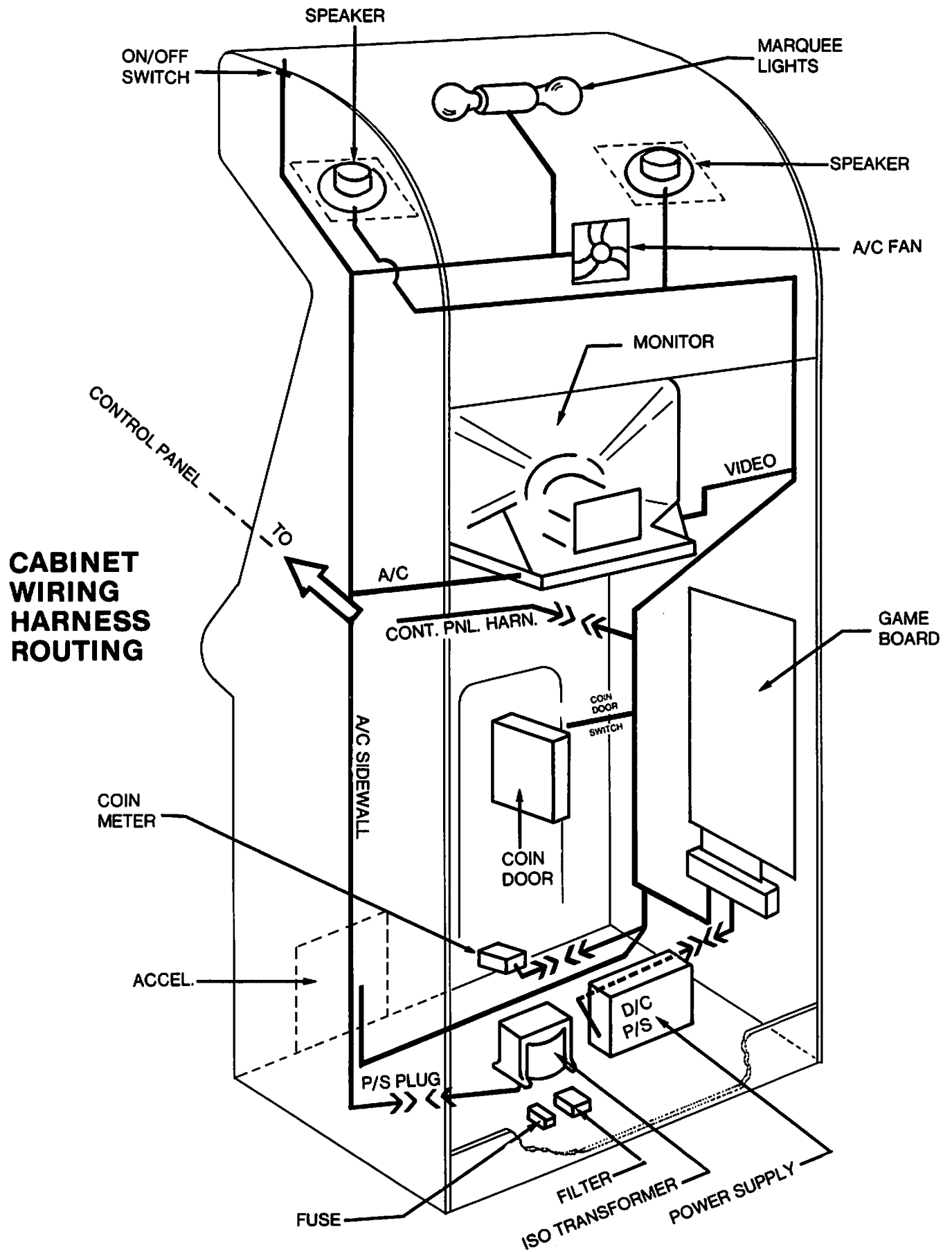
DIP SW - A

		1	2	3	4	5	6	7	8	
CABINET STYLE	DELUXE	OFF	OFF							
	*STANDARD	ON								
	MINI	OFF	ON							
		ON								
TEST MODE	*NORMAL			OFF						
	TEST			ON						
ATTRACT SOUND	*YES				OFF					
	NO				ON					
COIN A	* 1 COIN - 1 PLAY					OFF	OFF			
	1 COIN - 2 PLAY					ON				
	2 COIN - 1 PLAY					OFF	ON			
	2 COIN - 3 PLAY					ON				
COIN B	* 1 COIN - 1 PLAY							OFF	OFF	
	1 COIN - 2 PLAY							ON		
	2 COIN - 1 PLAY							OFF	ON	
	2 COIN - 3 PLAY							ON		

DIP SW - B

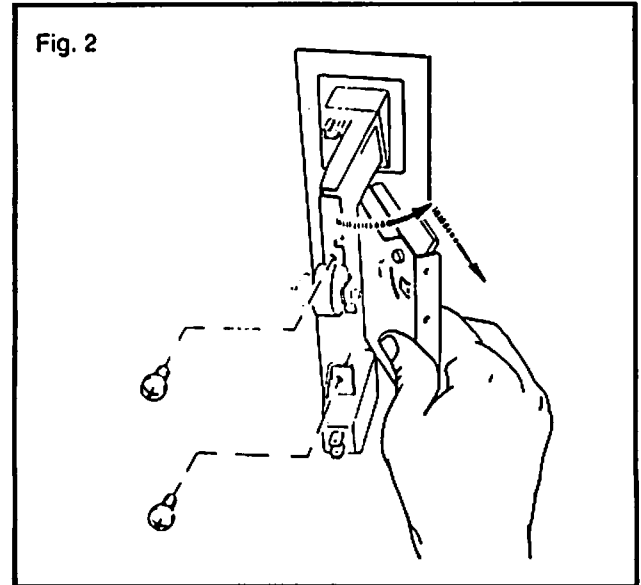
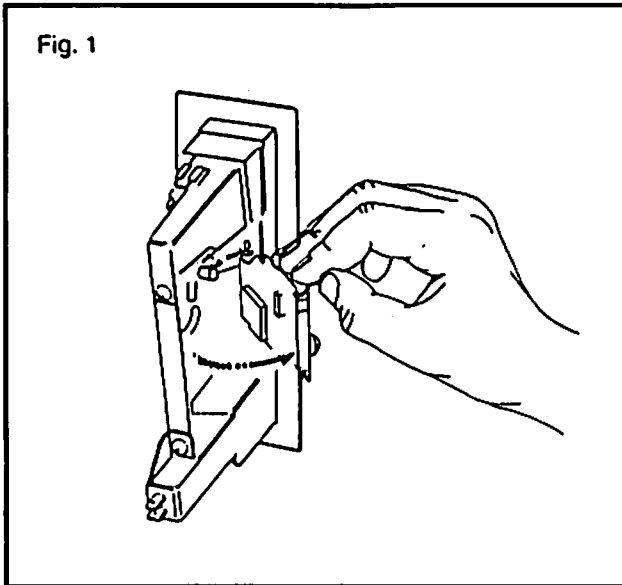
		1	2	3	4	5	6	7	8	
DIFFICULTY	B	OFF	OFF							
	A	ON								
	* C	OFF	ON							
	D	ON								
GAME TIME	* 60 sec.			OFF	OFF					
	70 sec.			ON						
	50 sec.			OFF	ON					
	40 sec.			ON						
NITRO BOOST	* 3					OFF	OFF			
	2					ON				
	4					OFF	ON			
	5					ON				
CONTINUE	NO							OFF		
	* YES							ON		
KEEP OFF	* OFF								OFF	
	ON								ON	

* ROMSTAR RECOMMENDED SETTING



**CABINET
WIRING
HARNESS
ROUTING**

COIN DOOR MAINTENANCE



The magnet that is fitted to the mechanism, should be kept clean from foreign particles. The magnet can be cleaned by swinging the gate open. (as shown in Fig. 1). Remove metal filings from the magnet by guiding the point of a screwdriver along the edges of the magnet, such that the filings cling to the screwdriver.

The mechanism can be cleaned by immersing in water using a small brush to clean the mechanism. Rinse the mechanism with boiling water and dry with compressed air.

Note:

Since the Gold Mech relies on coins passing the magnet at a constant speed, the rejector must be free of dirt and grease which may slow down the coins. Do not lubricate the acceptor with oil as this slows down coins.

If the above procedures are not successful, check for worn, bent or damaged parts and replace where necessary.

Removal of Mechanism

To remove the coin selector: Unscrew the two screws (as shown in Fig. 2) — swing rear of selector body away from the lock-out side and withdraw.

The Gold Mech Acceptors are designed to require a minimum of maintenance and field adjustment. Coins are checked by diameter and thickness, weight, metal content, bounce, and for ferromagnetic coins such as nickel and steel, a rim test also used.

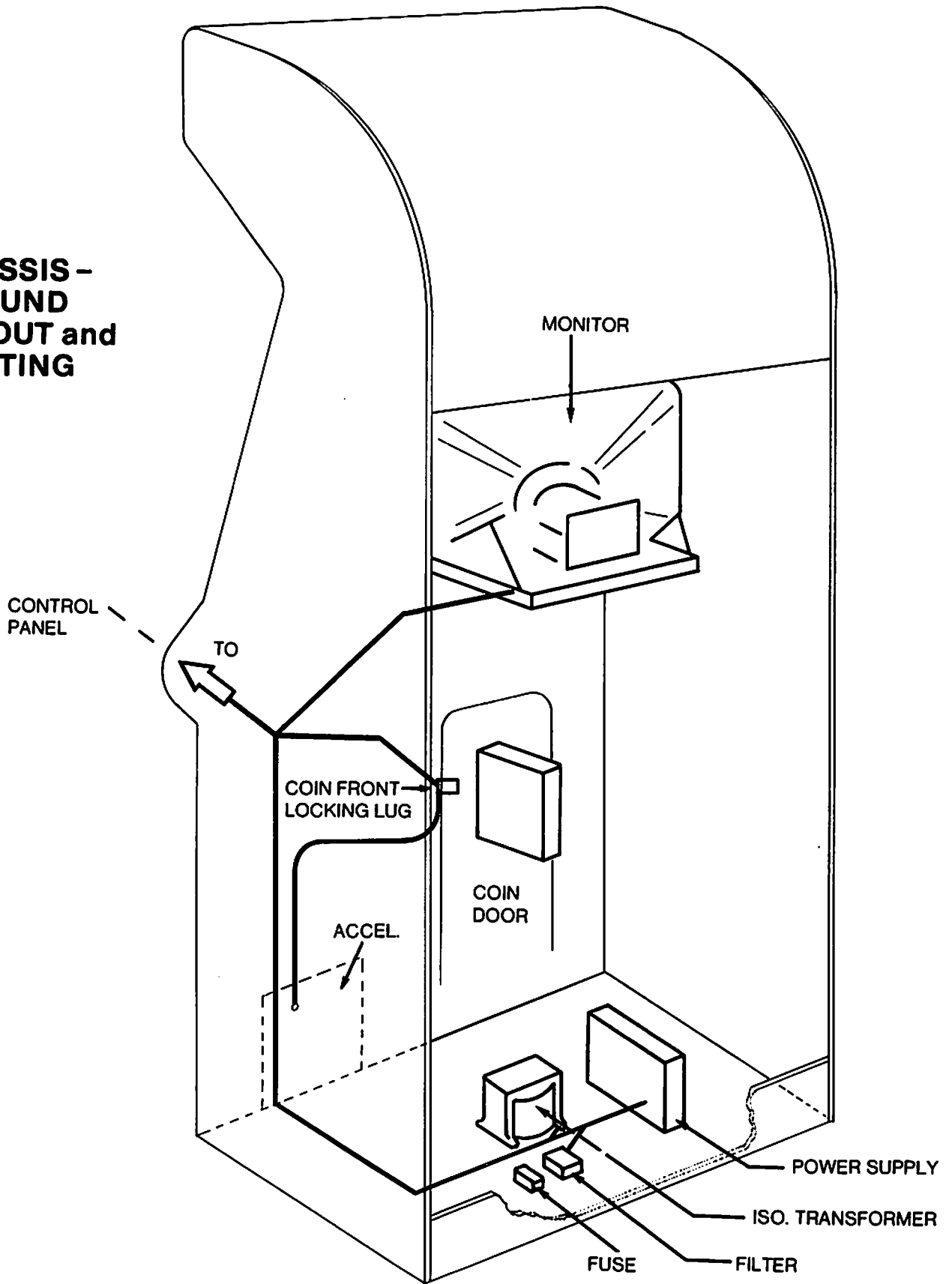
Coin Switch

The coin switch comes in two different spring tensions — identified by the color of the plastic boss at the wire's pivot point.

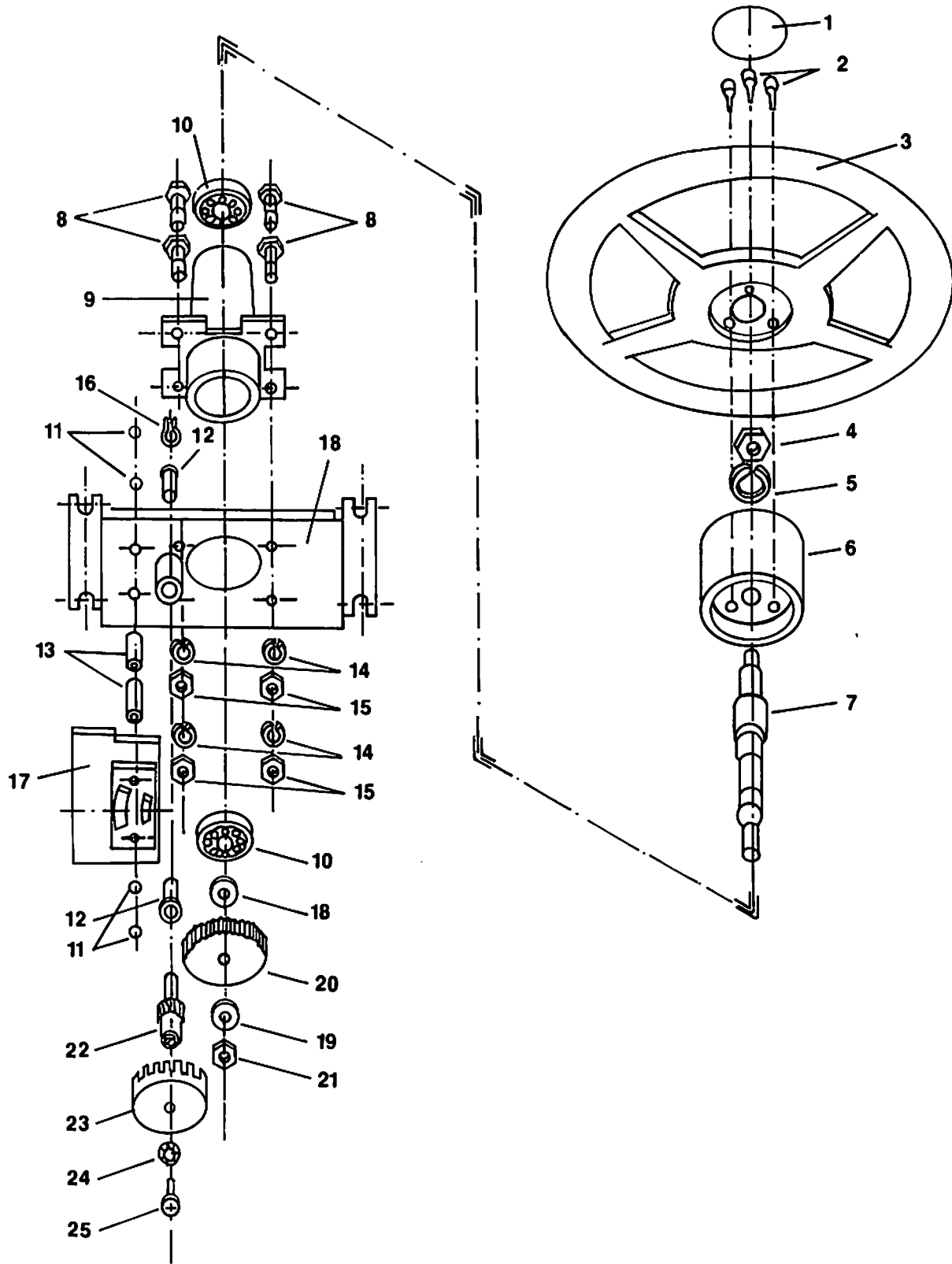
Red: Light tension — U.S. .25¢

White: Heavy tension — heavy foreign coins

CHASSIS - GROUND LAYOUT and ROUTING



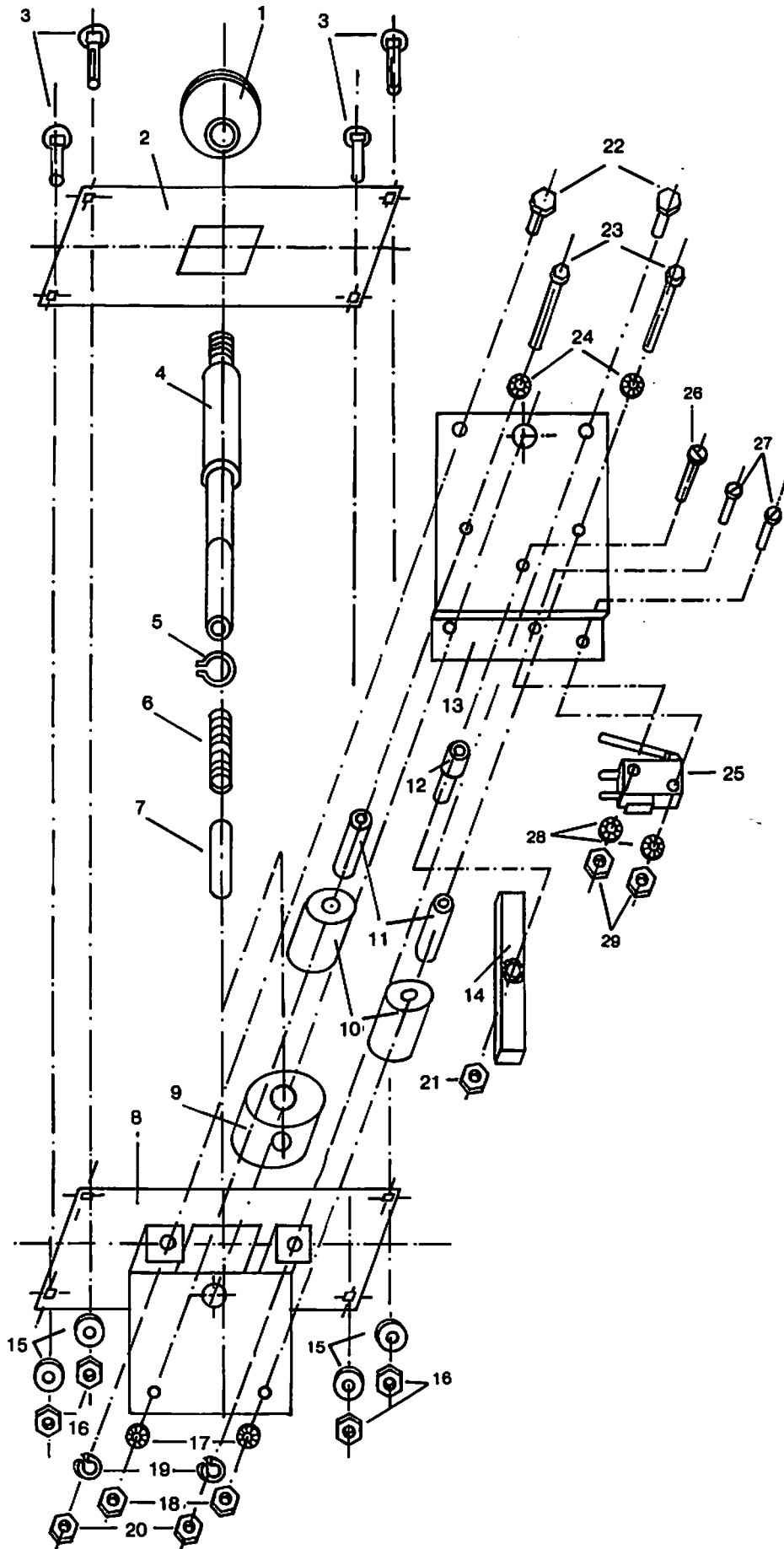
STEERING WHEEL EXPLODED VIEW



STEERING WHEEL COMPONENTS

ITEM	REFERENCE NO.	DESCRIPTION	ROMSTAR PART NO.	DESCRIPTION
1. 2. 3.	20-0242	Stainless Steel Disk 6 x 18 II O TCE Screws Steering Wheel	4710-1	Steering Wheel w/Disc
4. 5. 6. 7. 8. 9. 10. 11. 12. 13. 14. 15. 16.	20-0243	12 M O Hexagonal Nut O 12 Elastic Washer Hub Shaft 10 x 20 M O TE Screws Casing 6002 Bearing 4 x 10 M O TCC Screws Polyamide Bushing Spacers 100 Elastic Washer 10 11 O Hexagonal Nut Stop ring, External O 6	4710-2	Steering Mechanism
17.	20-0244	Electronic Card	4710-3	Steering Sensor Board
18. 19. 20. 21. 22. 23. 24. 25.	20-0243	Support Plate 10 O Flat Washer 2 60 Gear Wheel 10 M O Self-Locking Hexagonal Nut 2 14 Serrated Shaft General Pulse Bell 5 O Serrated Washer 5 x 8 M O TCC Screws	4710-2	Steering Mechanism

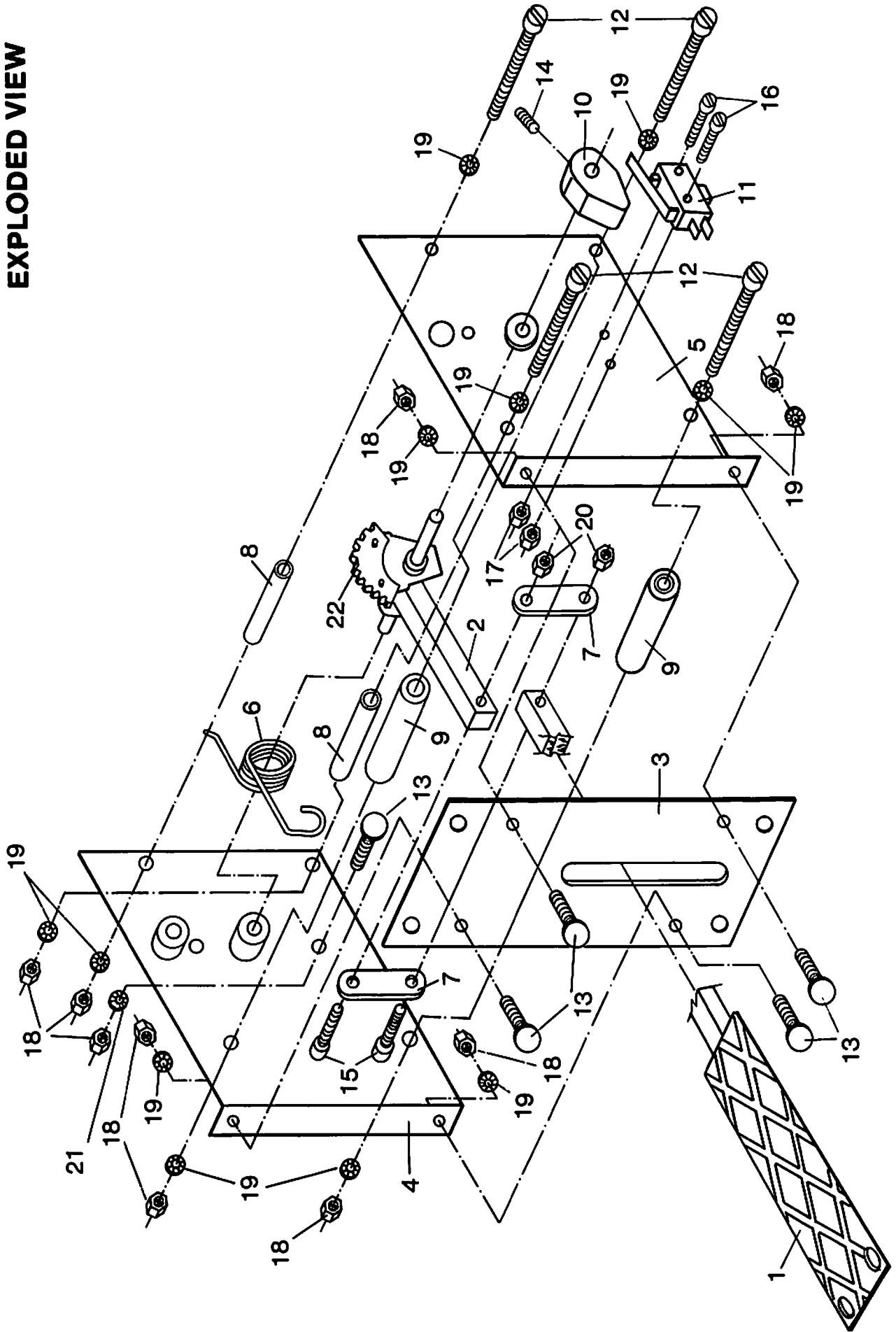
GEAR SHIFT UNIT EXPLODED VIEW



GEAR SHIFT UNIT COMPONENTS

ITEM	REFERENCE NO.	DESCRIPTION	ROMSTAR PART NO.
1.	20-0041	Ball / Knob	4711-1
2.		Template	
3.		5 x 16 M 0 Screws	
4.		T.T.Q.S. Unit 5732	
5.		Axis	
6.		Stop Ring	
7.		Spring	
8.		Polyamide Runner	
9.		Casing	
10.		Central Hub	
11.		Rubber Buffers	
12.		Spacers	
13.		Cable Pivot	
14.		Side Plate	
15.		Floating Bar	
16.		Flat Washers 5/15 0	
17.		Hexagonal Nuts 5 M 0	
18.		Serrated Washer 5 0	
19.		Hexagonal Nuts 5M 0	
20.		Elastic Washer 0 6	
21.		Hexagonal Nuts 6 M 0	
22.		4 M 0 Self-Locking Hexagonal Nut	
23.		6 x 10 M 0 T.E. Screws	
24.		5 x 35 M 0 T.E. Screws	
25.	Serrated Washer 5 0	4711-2	
26.	Microswitch		
27.	4 x 25 M 0 T.C. Screws		
28.	3 x 15 M 0 T.C. Screws	4711-3	
29.	Serrated Washers 3 0		
30.	Hexagonal Nuts 3 M 0		
30.	20-0250	Entire Gear Shift Unit	4711-3

SINGLE PEDAL ASSEMBLY EXPLODED VIEW



SINGLE PEDAL ASSEMBLY COMPONENTS

ITEM	REFERENCE NO.	DESCRIPTION	ROMSTAR PART NO.	
1.	20-0247	Pedal	4712-1	
2.		Control Lever		
3.		Frontal Plate		
4.		Left Side Plate		
5.		Right Side Plate		
6.		Spring		
7.		Connection Linkage		
8.		Spacers		
9.		Spacers with Shock Absorber		
10.		Cam		
11.	20-0045	Microswitch	4712-2	
12.		5 x 55 0 T.C.P. Screws		
13.		5 x 12 M 0 T.T.L. Screws Unit 5731-65		
14.		4 x 12 M 0 S.T.I.E. Screws		
15.		4 x 20 M 0 T.C.P. Screws		
16.		3 x 20 M 0 T.C.P. Screws		
17.		3 M 0 Hexagonal Nuts		
18.		5 0 Hexagonal Nuts		
19.		5 0 Serrated Washers		
20.		4 M 0 Self-Locking Hexagonal Nuts		
21.		5 0 Flat Washer		
22.		Sector in Serrated Nylon		

MAIN HARNESS PIN OUTPUT

ROMSTAR - TOP SPEED

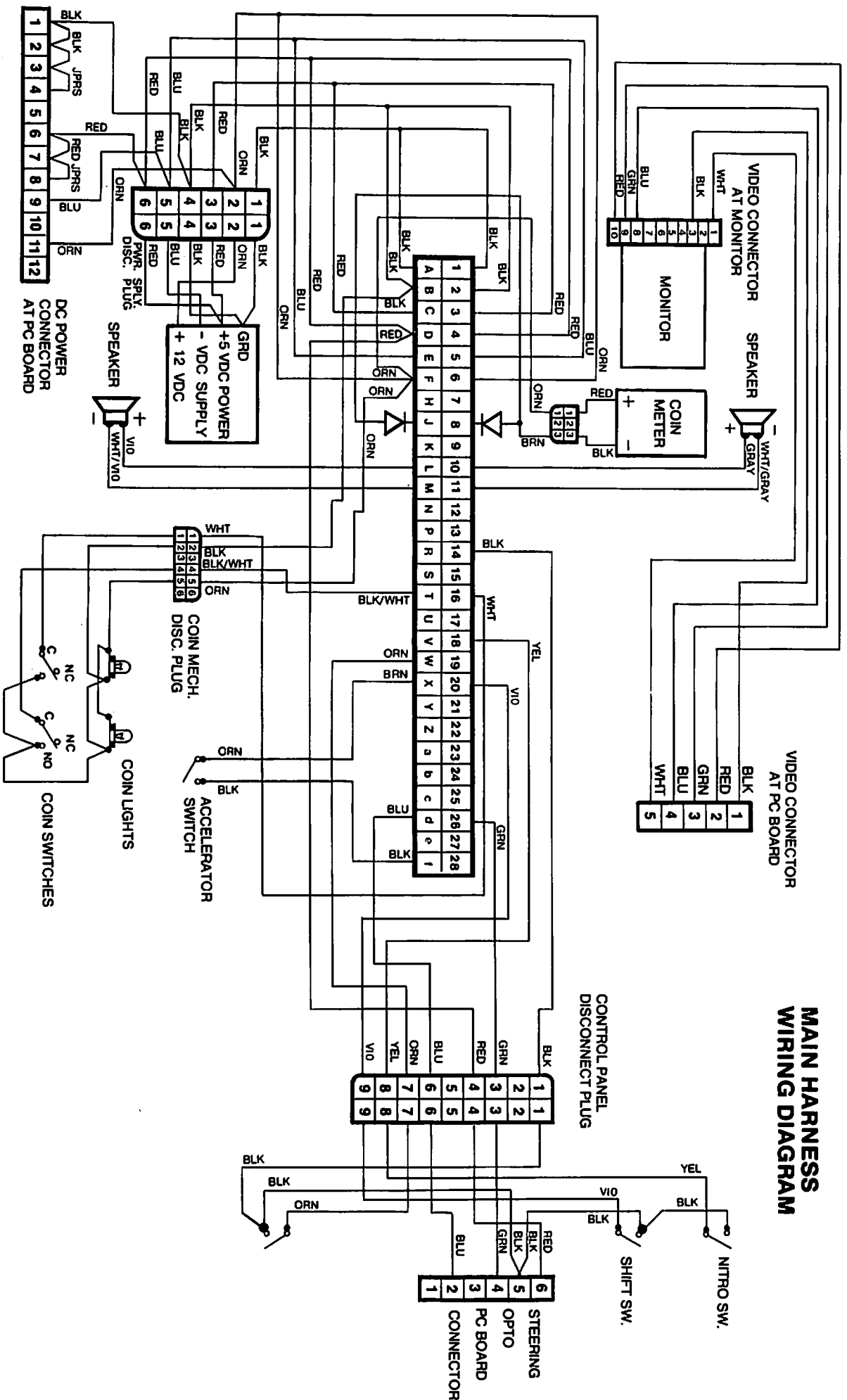
56 PIN CONN. @ PCB

WIRE COLOR	SOLDER SIDE			PARTS SIDE	WIRE COLOR
(Jmpr.) BLK	GND	A	1	GND (PwrSply)	BLK
(Jmpr.) BLK	Cn. Lt. & Swg. GND	B	2	GND (PwrSply)	BLK
(Jmpr.) RED	+5	C	3	+5	RED
(Jmpr.) RED	(Steering) +5	D	4	+5	RED
(Jmpr.) BLU	-5	E	5	-5	BLU
	ORN--- On Mtr. (Jmpr.) ORN--- On Lts. +12	F	6	+12	ORN
	KEY	H	7	KEY	
#BRN-DIODE	COIN METER 2	J	8	COIN METER 1	DIODE -BRN #
		K	9		
VIO	SPEAKER R(+)	L	10	SPEAKER L(+)	GRAY
WHT/VIO	SPEAKER R(-)	M	11	SPEAKER L(-)	WHT/GRAY
		N	12		
		P	13		
		R	14	GND (ContPn)	BLK
		S	15		
BLK/WHT	COIN SW. 2	T	16	COIN SW. 1	WHT
		U	17		
		V	18	NITRO SW.	YEL
ORN	START SW.	W	19		
BRN	ACCEL SW.	X	20	SHIFT SW.	VIO
		Y	21		
		Z	22		
		a	23		
		b	24		
		c	25		
BLU	22 STEERING	d	26	STEERING 21	GRN
BLK	GND	e	27	GND	BLK
BLK	(Accl.) GND	f	28	GND	BLK

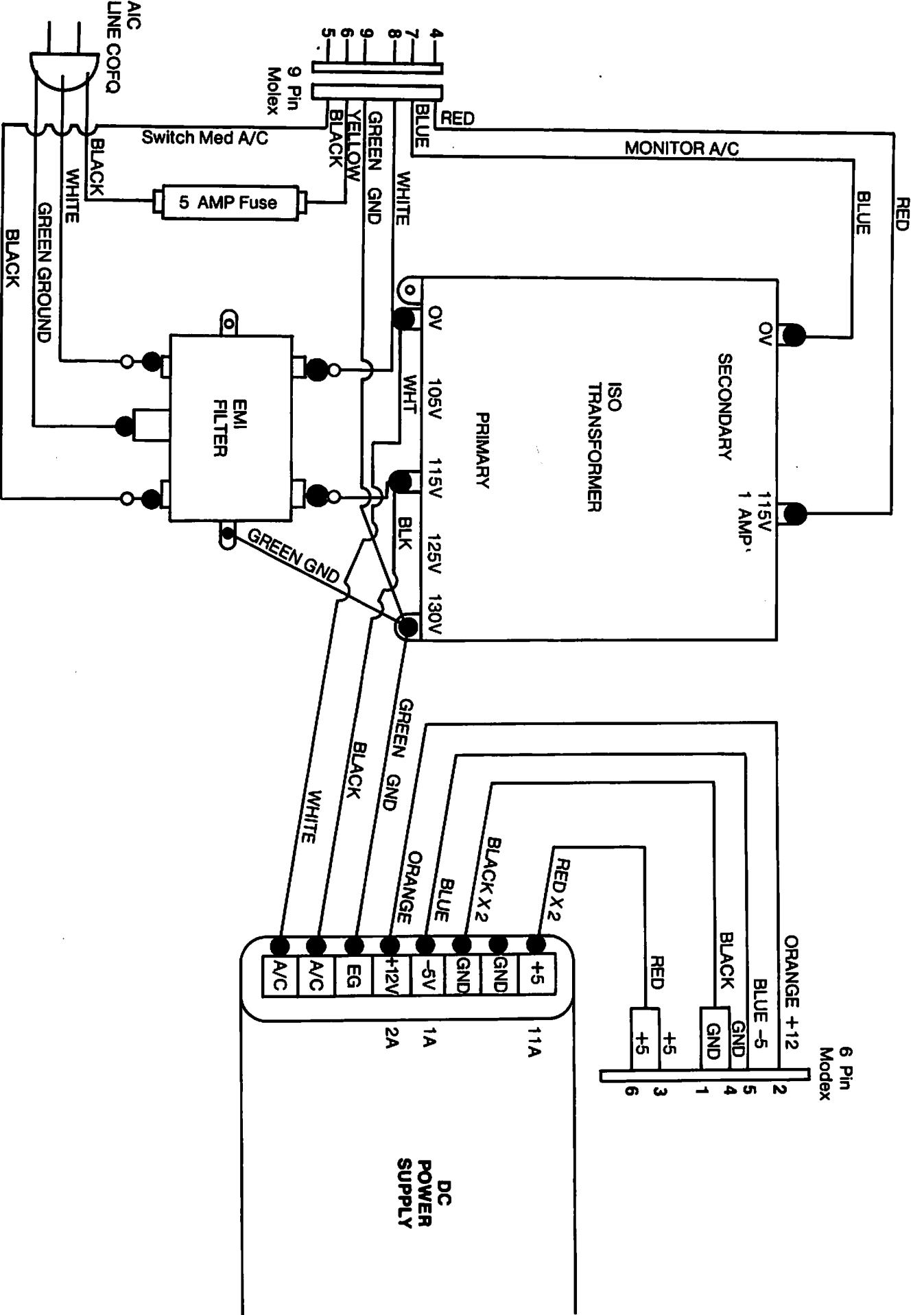
* Same Brown wire to BOTH Diodes.

WIRE COLOR	CONNECTION	
	CONNECTION	
Black	Ground	1
Black	Ground	2
Black	Ground	3
Black	Ground	4
	N/A	5
Red	+5VDC	6
Red	+5VDC	7
Red	+5VDC	8
Blue	-5VDC	8
	Key	10
Yellow	+12VDC	11
Yellow		12

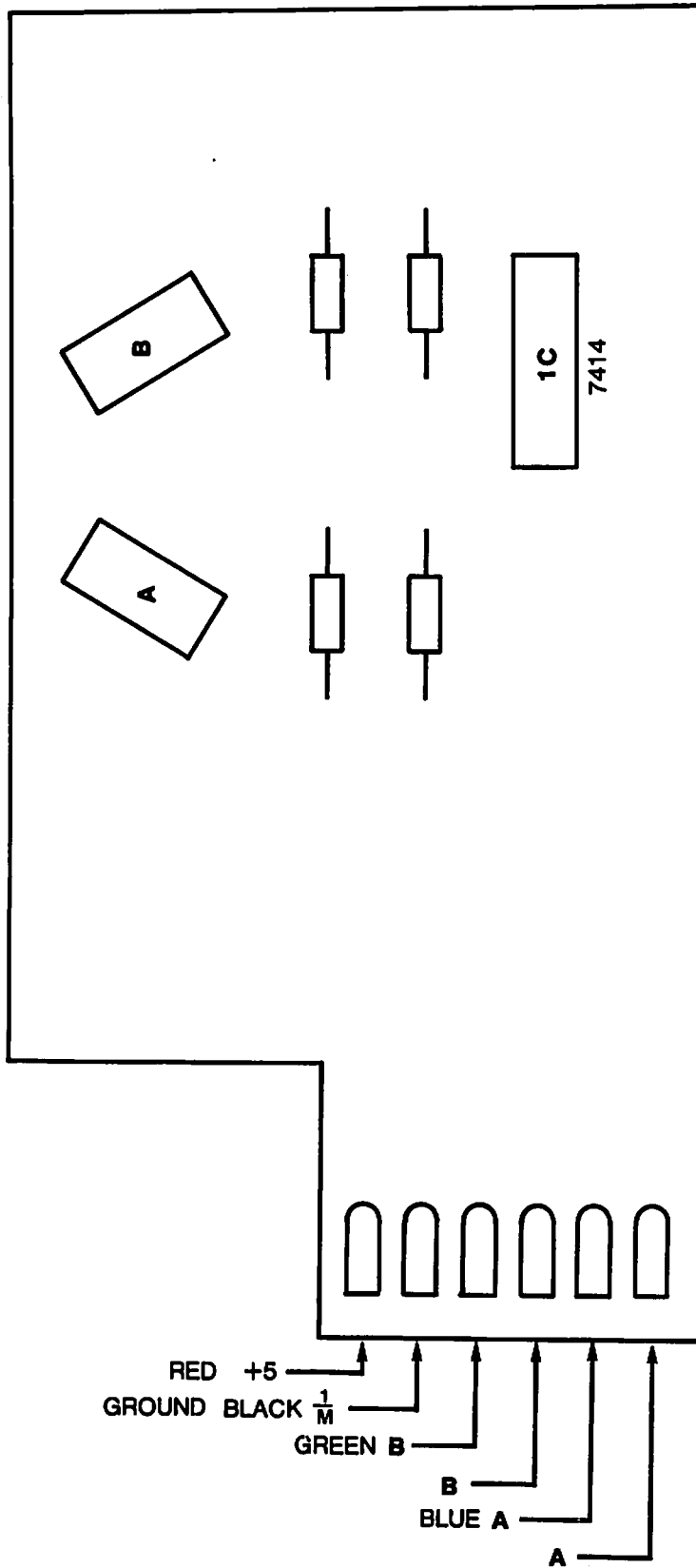
MAIN HARNESS WIRING DIAGRAM



POWER SUPPLY & WIRING DIAGRAM



STEERING OPTIC PCB LAYOUT



LIMITED WARRANTY

ROMSTAR INC. ("Seller"), warrants only to the initial purchaser of its products that the items listed below are free from defects in material and workmanship under normal use and service for the warranty periods specified:

- | | |
|---------------------------|-----------|
| A. Printed Circuit Boards | (60) days |
| B. Electronic Components | (30) days |
| C. Television Monitor | (30) days |

No other parts of Seller's products are warranted.

Warranty periods are effective from the initial date of shipment from Seller to its authorized distributors.

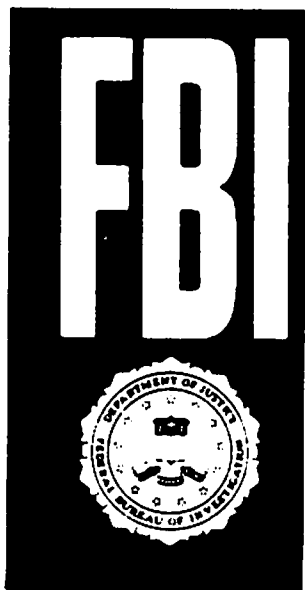
Seller's sole liability shall be, at its option, to repair or replace products which are returned to Seller during the warranty periods specified, provided:

- A. Seller is notified promptly upon discovery by buyer that stated products are defective.
- B. Such products are properly packaged and then returned, prepaid to Seller's plant.

This warranty does not apply to any parts damaged during shipping or handling, or due to improper installation or usage, or alteration. In no event shall Seller be liable for any anticipated profits, loss of profits, loss of use, incidental or consequential damages or any other losses incurred by the customer in connection with the purchase of Romstar Inc. product.

(WARRANTY DISCLAIMER)

EXCEPT AS SPECIFICALLY PROVIDED IN A WRITTEN CONTRACT BETWEEN SELLER AND PURCHASER, THERE ARE NO OTHER WARRANTIES, EXPRESSED OR IMPLIED, INCLUDING ANY IMPLIED WARRANTIES OF MERCHANTABILITY OR FITNESS FOR A PARTICULAR PURPOSE.



WARNING

Federal law provides severe civil and criminal penalties for the unauthorized reproduction, distribution, or exhibition of copyrighted audiovisual works and video games.

The Federal Bureau of Investigation investigates allegations of criminal copyright infringement.

COMMENTS:

Your comments will assist Romstar Inc. in improving our product. Your comments are an important part of preparing new games/manuals.

If you have any technical questions regarding our games or are requesting additional information, please contact our Customer Service Department.

Fill in if you wish a reply:

Name _____

Firm _____

Address _____

City _____ State _____ Zip _____

Area Code _____ Phone _____

Distributor

Operator

Other _____

ROMSTAR

ROMSTAR INC.

TORRANCE, CALIFORNIA