

# Frisky TOMY™

---

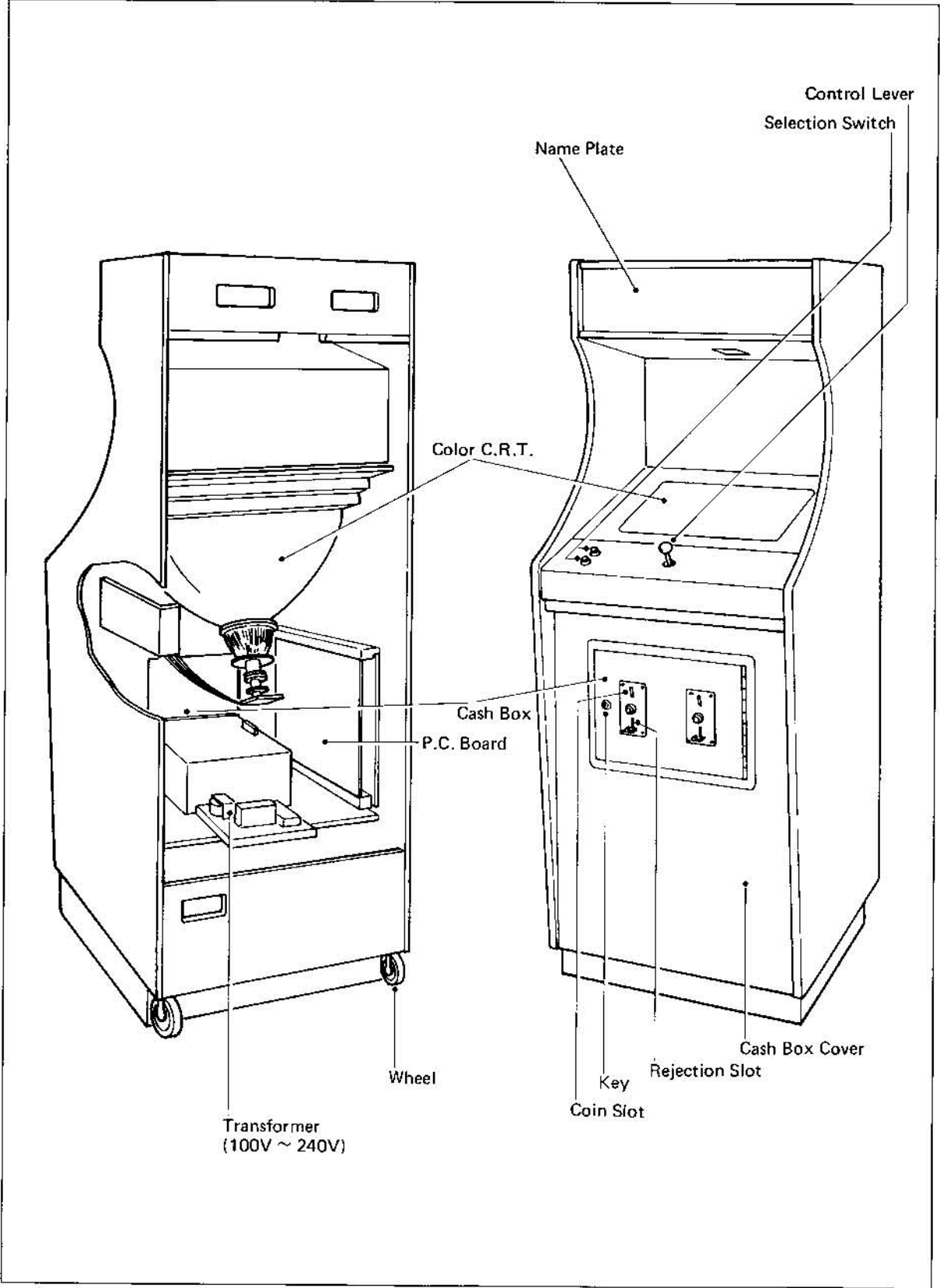
## SERVICE INSTRUCTION

---



**Nichibutsu**

**1 EACH PARTS NAME (UPRIGHT MODEL)**



## 2 SPECIFICATIONS

POWER SOURCE	: 100 ~ 240V (Variable)
WATT CONSUMPTION	: 110W
COINAGE	: 1 coin per play, 2 coins per play, 3 coins per paly, 4 coins per play * OPTION (Selector 2)
	: 1 coin per play, 1 coin per 2 plays, 1 coin per 3 plays
PLAYER	: 1 or 2 players
GAME LIMIT	: 1 Tank ~ 9 Tanks
KEYS	: Coin Door key 1 set. Rear Door key 1 set. Cash box key 1 set
FUSE RATINGS	: 1 at 5A, 2 at 3A

		Width	Depth	Height	C.R.T
UPRIGHT MODEL	BODY	600 m/m	690 m/m	1,625 m/m	20 inch
	CASH BOX	395 m/m	300 m/m	285 m/m	
TABLE MODEL	BODY with LEGS	890 m/m	560 m/m	685 m/m ~ 825 m/m (5 position adjustable)	20 inch
	CASH BOX	150 m/m	285 m/m	125 m/m	

- These instructions and specifications may be changed without prior notification.
- If this machine is reconstructed without our permission, we can not take responsibility for the machine.

## 3 NOTES

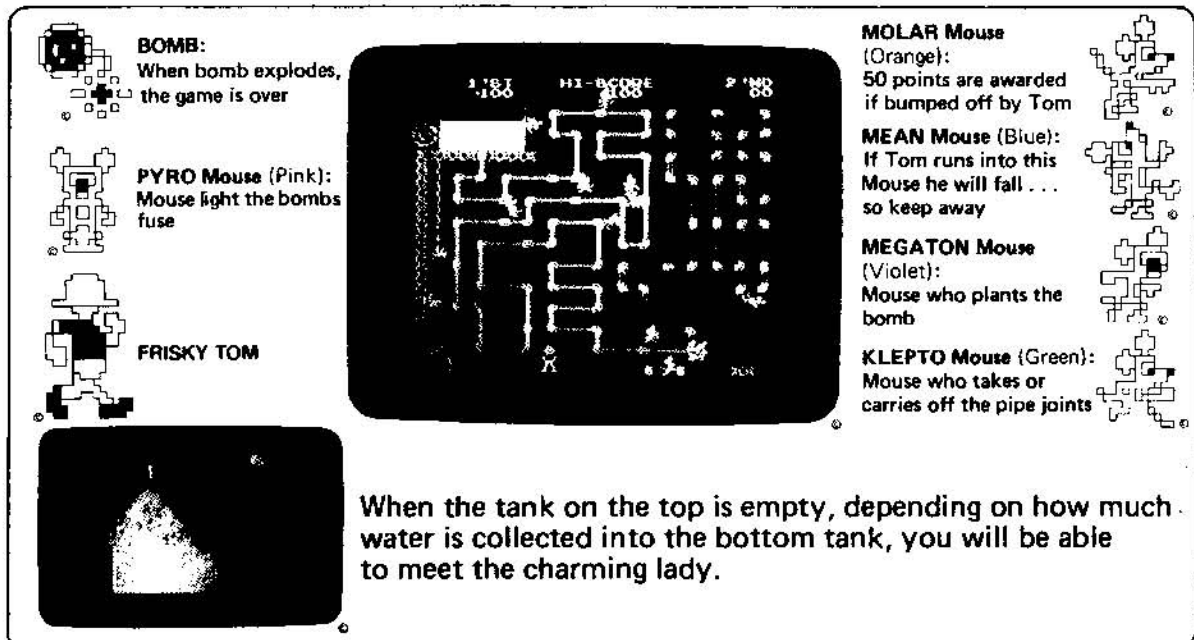
- The FRISKY TOM has a T.V. monitor and care must be taken in moving this fragile machine.
- To prevent the cabinet over-heating do not place the FRISKY TOM directly in the sun or near heating.
- For a short time after connecting to power, the picture may be temporarily distorted.
- Do not check the solid state module with a TESTER even if you find out there is something wrong with it. The IC may be destroyed by the voltage of a TESTER.
- Disconnect the power supply before inserting or removing the P.C. board.

# FRISKY TOM

## 4

## HOW TO PLAY

- This game is played on the basis of filling the bottom right tank with the water from the top left tank.
- Depending upon how much water is flowing into the bottom tank, the possibility of seeing the charming lady increases.



**BOMB:**  
When bomb explodes, the game is over

**PYRO Mouse (Pink):**  
Mouse light the bombs fuse

**FRISKY TOM**

**MOLAR Mouse (Orange):**  
50 points are awarded if bumped off by Tom

**MEAN Mouse (Blue):**  
If Tom runs into this Mouse he will fall . . . so keep away

**MEGATON Mouse (Violet):**  
Mouse who plants the bomb

**KLEPTO Mouse (Green):**  
Mouse who takes or carries off the pipe joints

When the tank on the top is empty, depending on how much water is collected into the bottom tank, you will be able to meet the charming lady.

- Control Tom with the joystick and pick up the fallen pipe joints and repair the plumbing.
  - When Tom bumps off the 'Molar Mouse' you are awarded 50 points.
  - When Tom runs into the 'Mean Mouse' he will fall, so keep away.
  - Put out the bombs fuse for bonus points. When the bomb explodes, the game is over.
  - When you reach the certain points you will be awarded an extra tank.
  - Depending on the amount of water collected into the bottom tank, your points are added to your score.
- When no water is in the tank, the game is over.

## 5 OPERATER ADJUSTMENTS

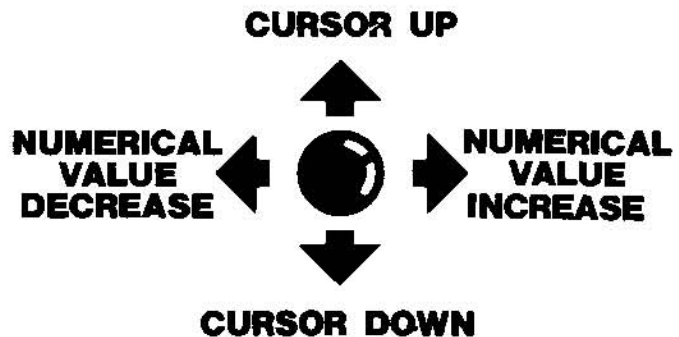
You will see the following Adjustment Table on the screen when the EDIT Switch is turned on.

<b>TYPE</b>	<b>TABLE(UP LIGHT)</b>
<b>COIN SEL.1</b>	<b>1 COIN 1 PLAY</b>
<b>COIN SEL.2</b>	<b>1 COIN 1 PLAY</b>
<b>TANK</b>	<b>1</b> ← <b>CURSOR</b>
<b>BONUS</b>	<b>10,000PTS</b>
<b>COIN SEL.1</b>	<b>00</b>
<b>COIN SEL.2</b>	<b>00</b>

※These play a part of Coin Meter. Disconnect the Battery Cord to reset.

■ Move Joystick Up and Down to choose item.

■ Move Joystick Right or Left to choose Numerical Value.



■ To choose Table or Up-right, set Cursor Table or Up-right and move the Joystick Right or Left.

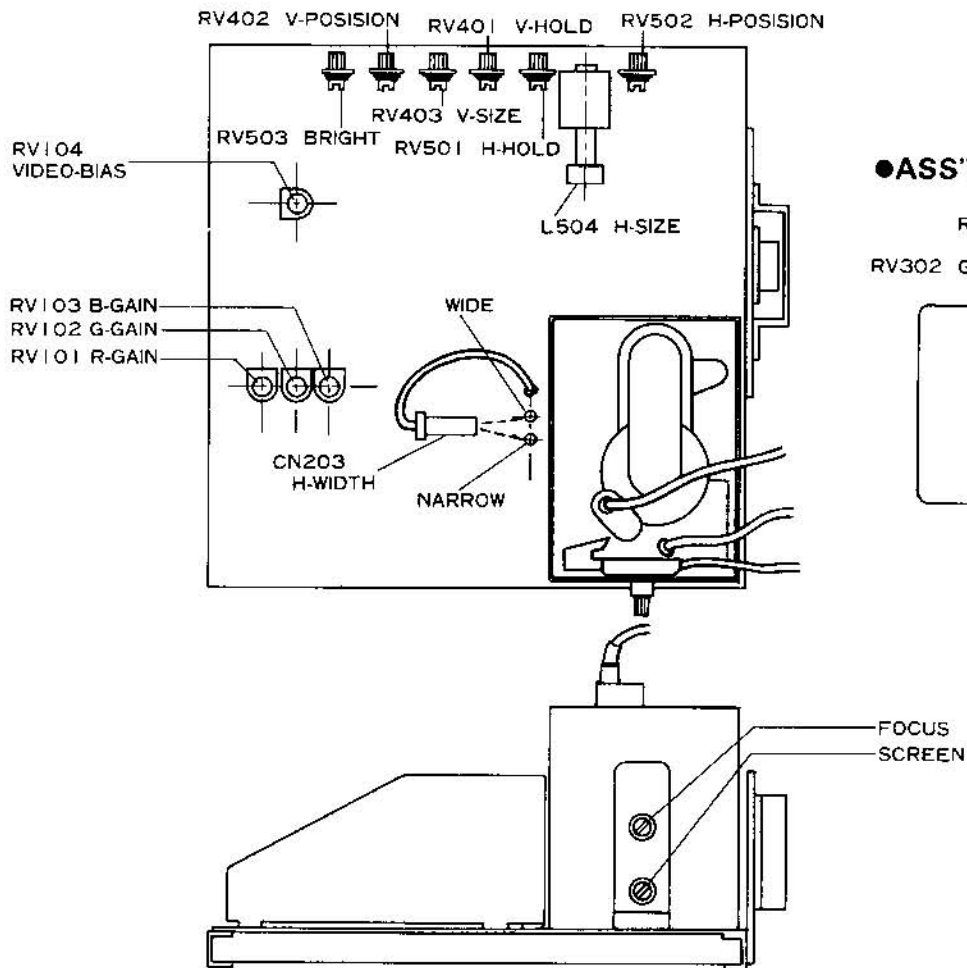
# FRISKY TOM

## 6

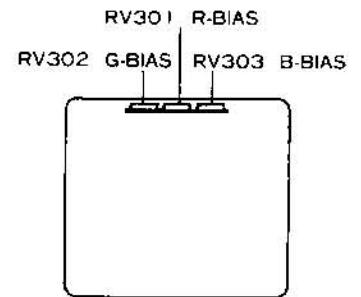
## MONITOR ADJUSTMENTS

### ● ASS'Y MAIN CHASSIS - B

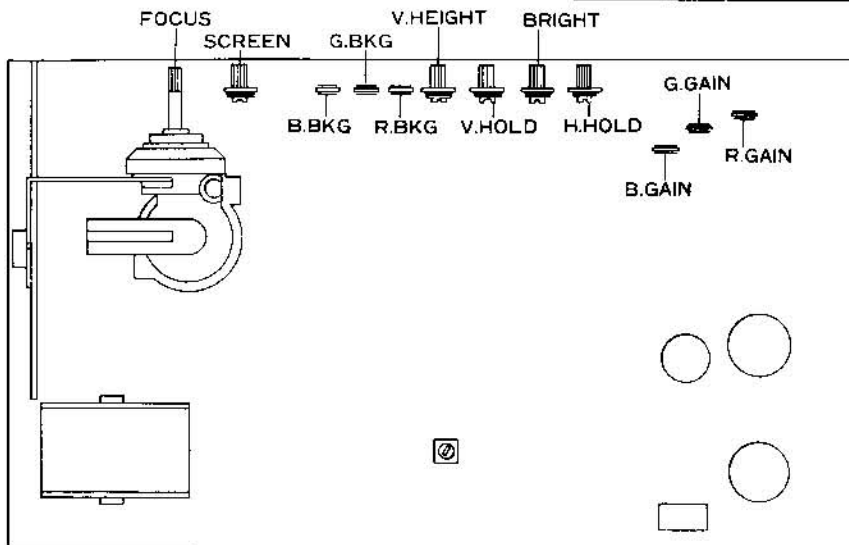
### MITSUBISHI COLOR MONITOR

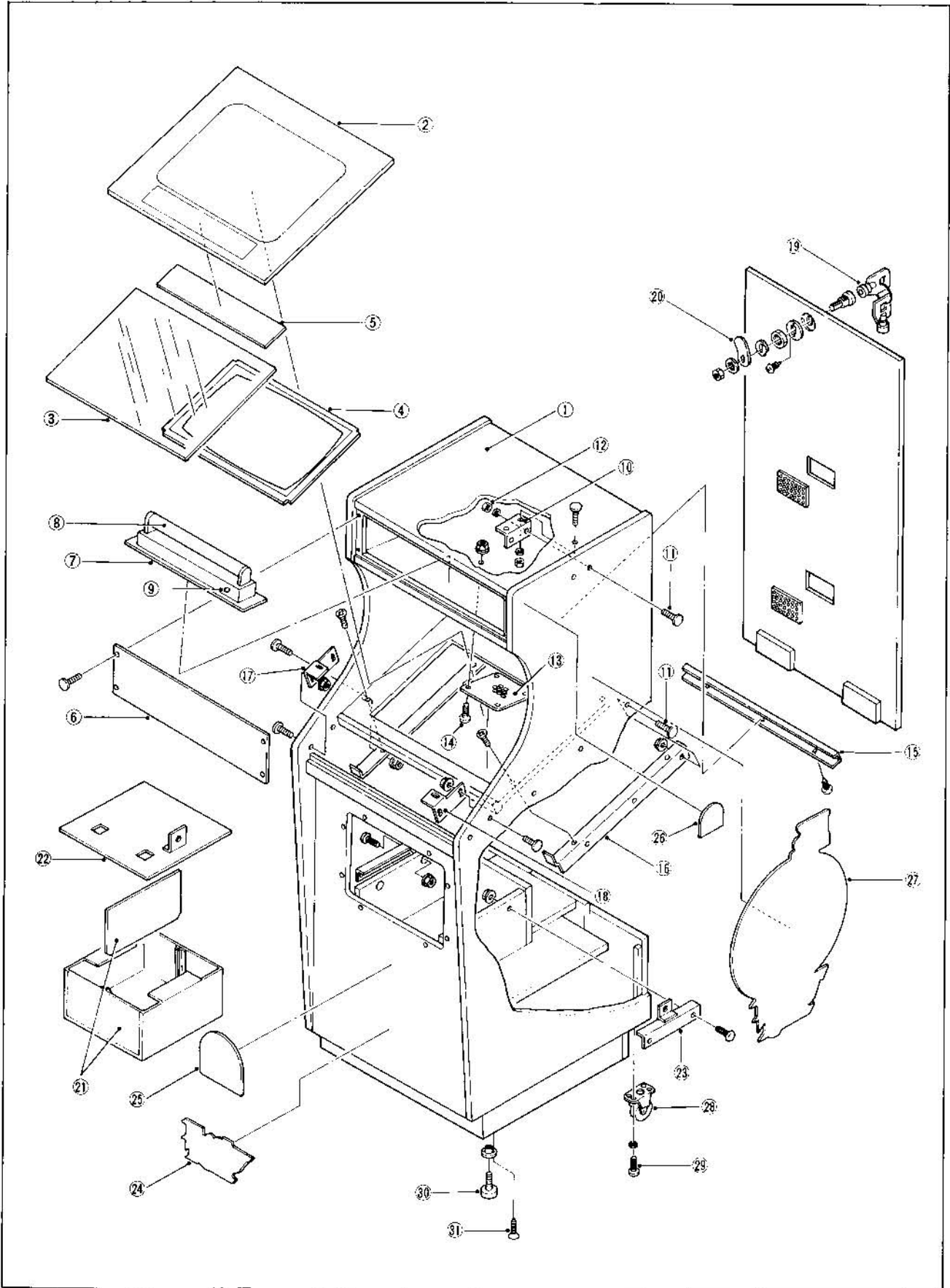


### ● ASS'Y C.R.T BOARD



### TOEI COLOR MONITOR





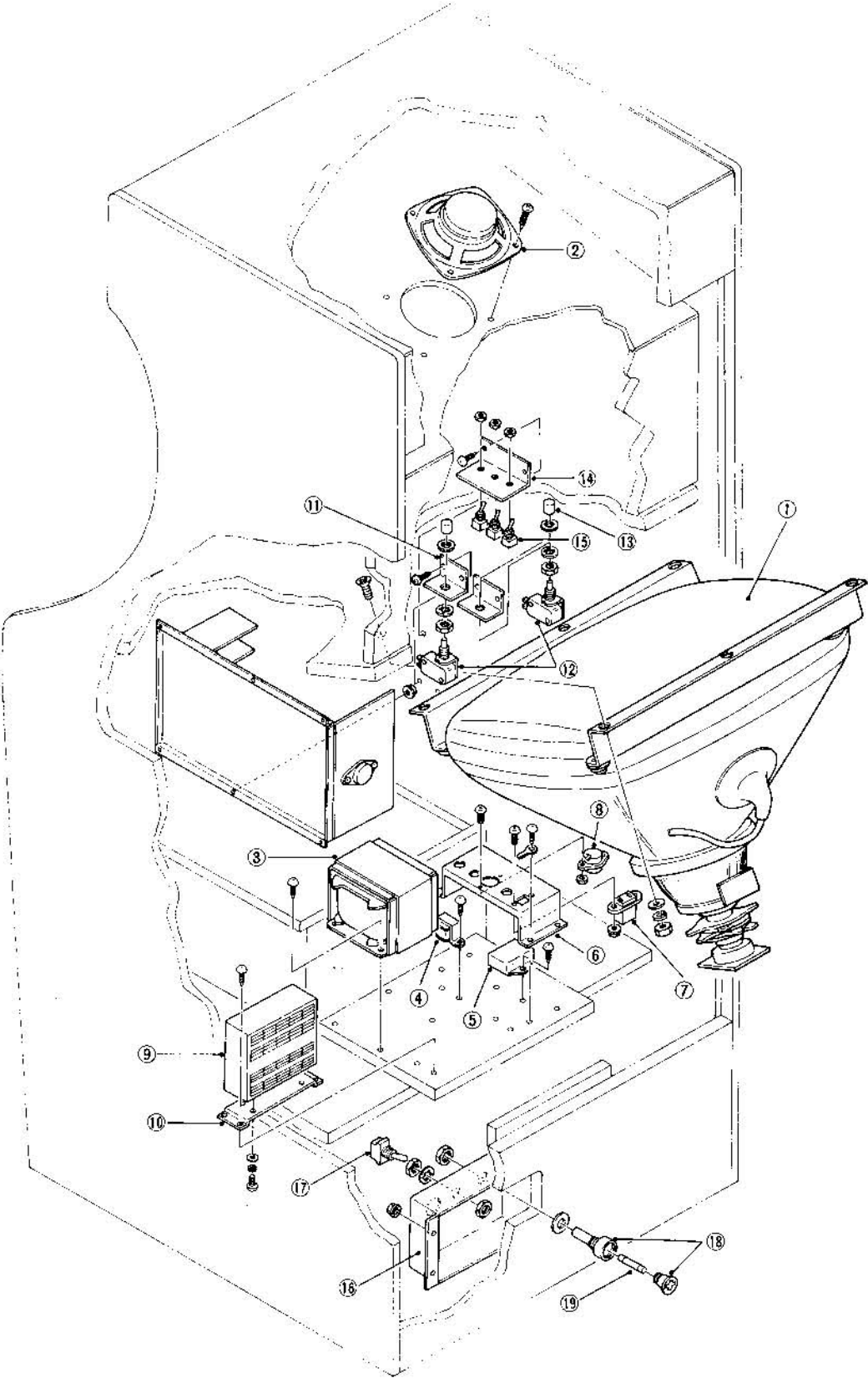
# FRISKY TOM

## 7

## EXTERIOR ASSEMBLY

NO.	PARTS NO.	DESCRIPTION	
1	MSA8001	Cabinet Assy	
2	FTA1001	Front Panel	
3	CCA7010	Smoked Plate	
4	CCA7009	TV. Mask	
5	FTA1002	Playing Information Card	
6	FTA1003	Illumination Panel	
7	CCA7013	Fluorescent Light Utensil	
8	CCA7014	Fluorescent Light	
9	CCA7015	Glow Bulb	
10	MSA8016	Bracket B	
11	MSA8011	Bolt	
12	MSA8012	Nut	
13	TA50023	Speaker Cover	
14	PC50022	Ornament Speaker Bolt	
15	FTA1004	Bracket	
16	CCA7055	Bracket C.R.T. Support Bracket	
17	FTA1005	Bracket L	
18	FTA1006	Bracket R	
19	CC70008	Key Set	
20	MSA8015	Key Rock Plate	
21	FTA1007	Cash Box	
22	FTA1008	Cash Box Cover	
23	FTA1009	Cash Box Guide	
24	FTA1010	Name Sticker	
25	FTA1011	Sticker	
26	FTA1012	Sticker	
27	FTA1013	Character Sticker	
28	CCA7017	Caster	
29	CCA7018	Bolt	
30	CCA7020	Adjuster	
31	CCA7019	Screw Bolt	



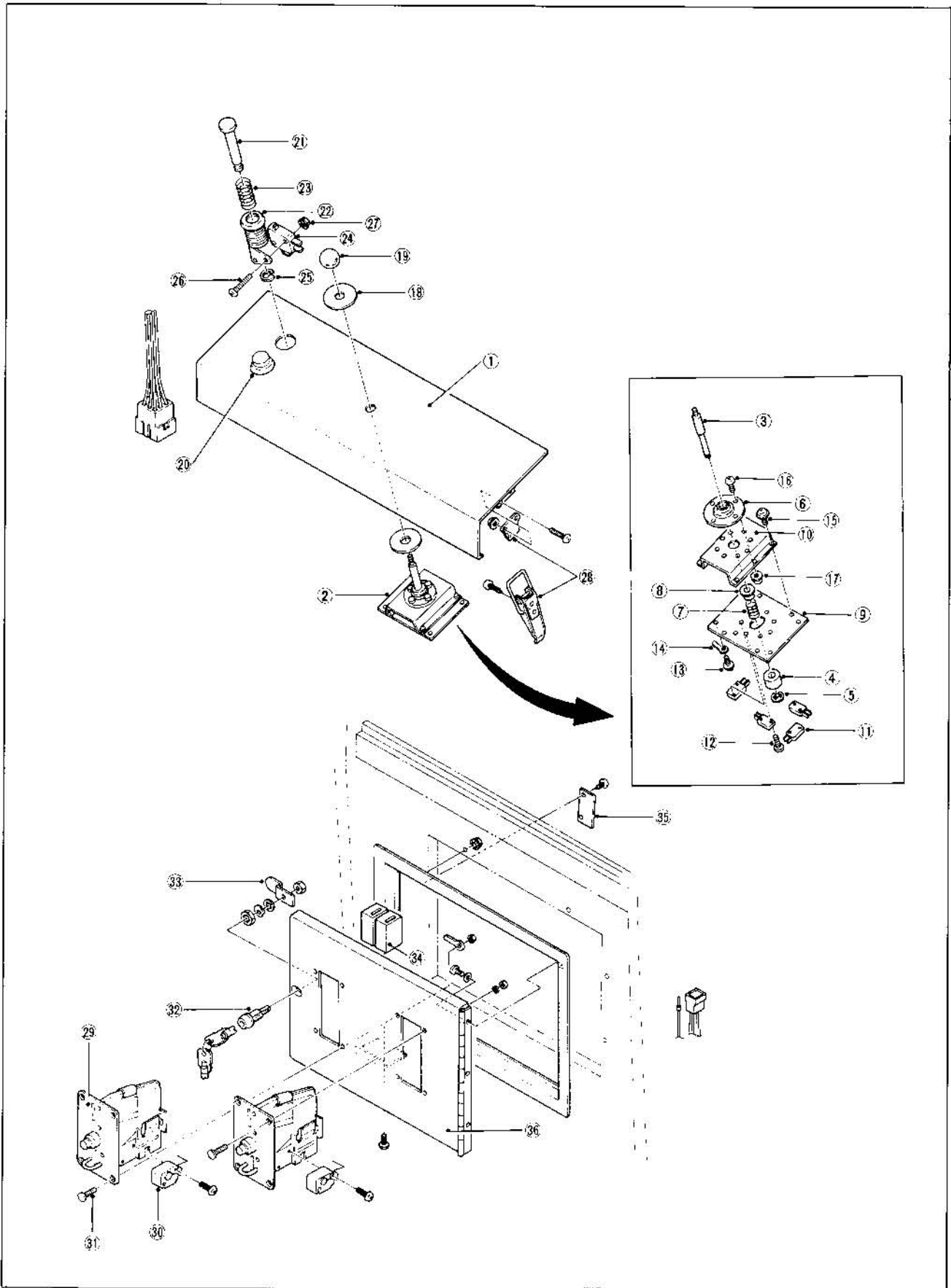


# FRISKY TOM

## 8

## VIDEO ASSEMBLY

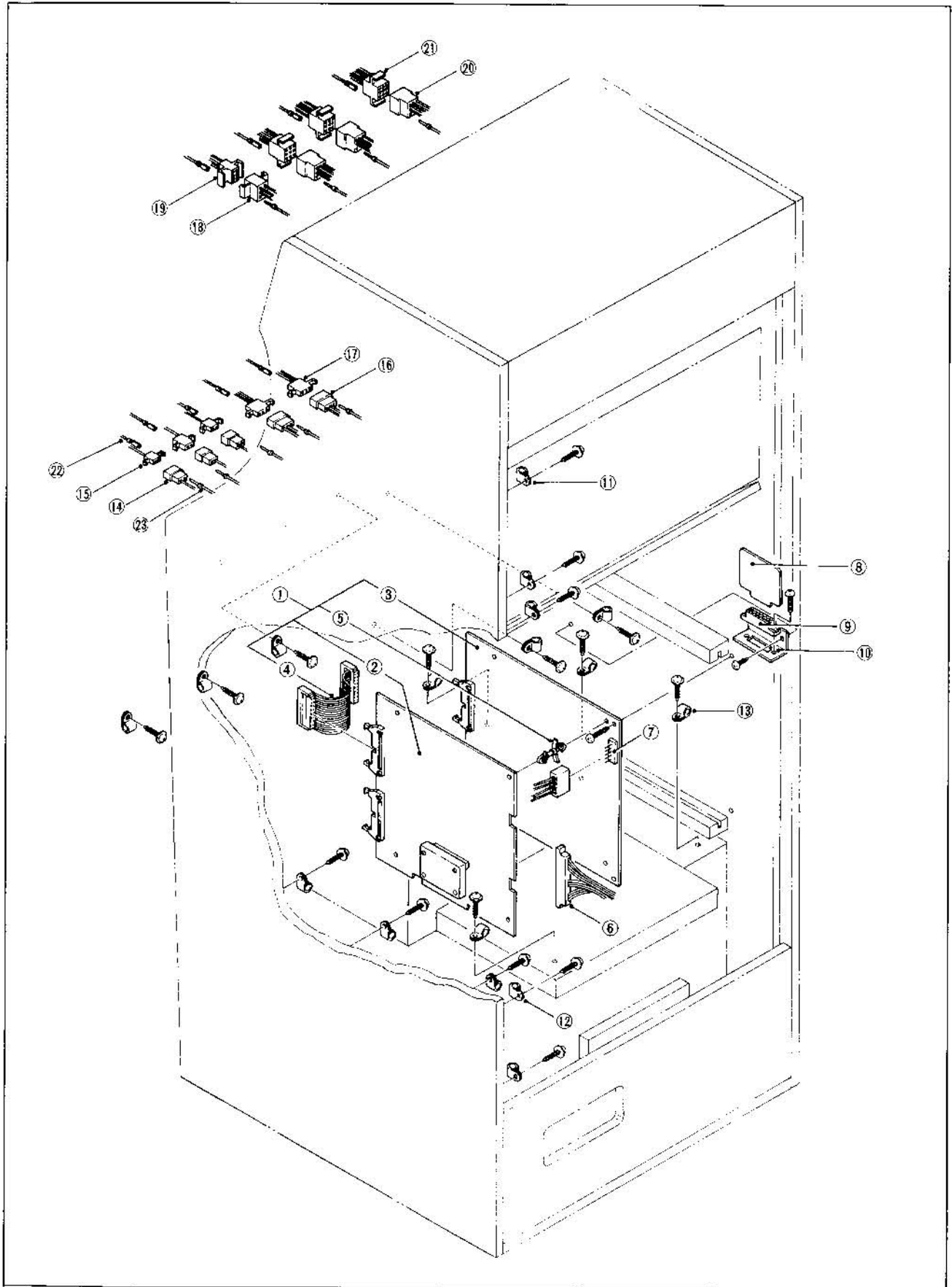
NO.	PARTS NO.	DESCRIPTION
1	CCA7044	C.R.T. Monitor Assy
2	CCA7049	Speaker
3	AC20026	Transformer
4	FTA1014	Transformer (6.3V)
5	TA50036	Noise Filter
6	FTA1015	Bracket
7	BP10015	Service Socket
8	FTA1016	Voltage Change Plug
9	MS80018	Power Supply
10	MS80019	Bracket
11	CC70019	Switch Bracket
12	TA50026	Switch
13	BP50028A	SW, Button
14	FTA1017	Bracket
15	FTA1018	Switch
16	CCA7053	Main Switch Box
17	BP10041	Power Switch
18	PC50051	Fuse Holder (FH-032)
19	PC50052	Fuse (5A)



# FRISKY TOM

**9****CONTROL PLATE ASSEMBLY**

NO.	PARTS NO.	DESCRIPTION
1	FTA1019	Control Plate
2	FTA1020	Control Lever Assy
3	MSA8026	Control Lever
4	MS80027	Control Lever Ring
5	MS80028	E Ring
6	MS80029	Control Base
7	MS80030	Spring
8	MS80041	Ring
9	MS80032	Control Mounting Bracket
10	MS80033	Control Base Bracket
11	MB20025	Micro Switch
12	CC70046	Bolt (3M x 20M)
13	MS80034	Bolt (4M x 10M)
14	MS80035	Earth Rag (4M)
15	MS80036	Bolt (3M x 8M)
16	MS80037	Bolt (4M)
17	MS80038	Nut (4M)
18	CC70050	Cover
19	CCA7026	Control Knob
20	CC70025	SW, Assy
21	CC70051	Selection or Firing Button
22	CC70052	Selection or Firing Button Base
23	CC70053	Spring
24	CC70054	Micro Switch
25	CC70055	E Ring
26	CC70046	Bolt (3M x 20M)
27	CC70056	Nut (3M)
28	FTA1021	Hinge
29	AL20019	Coin Selector
30	TA50010	Micro SW
31	CC70060	Bolt
32	CC70008	Key Set
33	FTA1022	Key Lock Plate
34	TA50035	Counter
35	FTA1023	Key Plate
36	FTA1027	Cash Box Cover



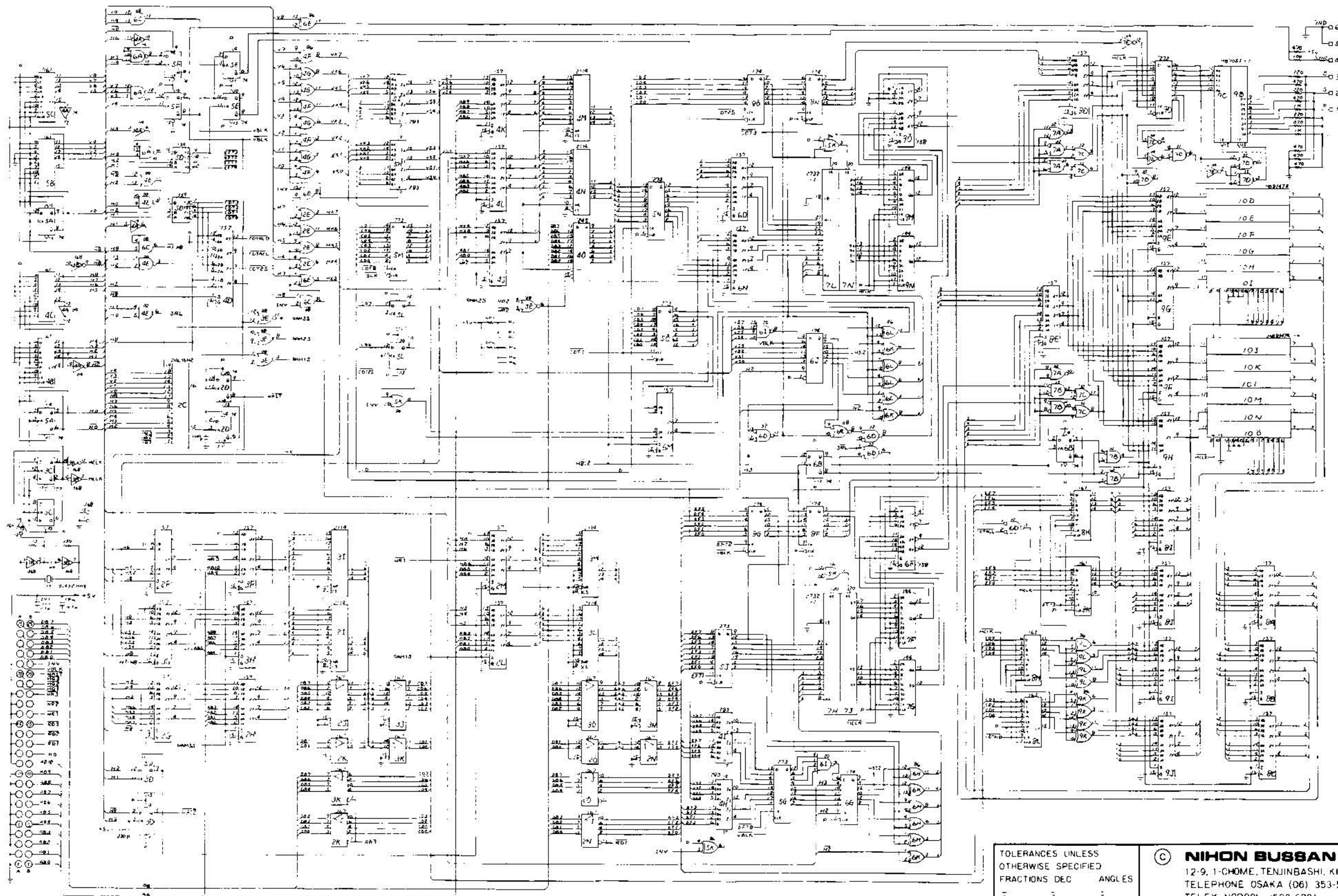
# FRISKY TOM

10

## PRINTED BOARD ASSEMBLY

NO.	PARTS NO.	DESCRIPTION	
1	FTA1024	FT P.C. Board Assy	
2	FTA1025	FT-1 P.C. Board	
3	FTA1026	FT-2 P.C. Board	
4	MB20032	Flat Cable (50P)	
5	BP10047	Nylon Push	
6	PC50035	KEL Connector (44P)	
7	CC70037	Video Signal Connector	
8	CC70039	CC-5 P.C. Board	
9	BP10042	Connector (10P)	
10	BP10043	Connector Bracket	
11	PC50029	Nylon Clip (KD-2N)	
12	PC50030	Nylon Clip (KD-4N)	
13	PC50031	Nylon Clip (KD-7N)	
14	TA50037	Socket Housing (2P)	
15	TA50038	Socket Housing (2R)	
16	PC50045	Socket Housing (3P)	
17	PC50046	Socket Housing (3R)	
18	PC50041	Socket Housing (6P)	
19	PC50042	Socket Housing (6R)	
20	MB20045	Socket Housing (9P)	
21	MB20046	Socket Housing (9R)	
22	TA50039	Pin	
23	TA50040	Pin	

**SCHEMATICS**  
**WIRING FIGURES**



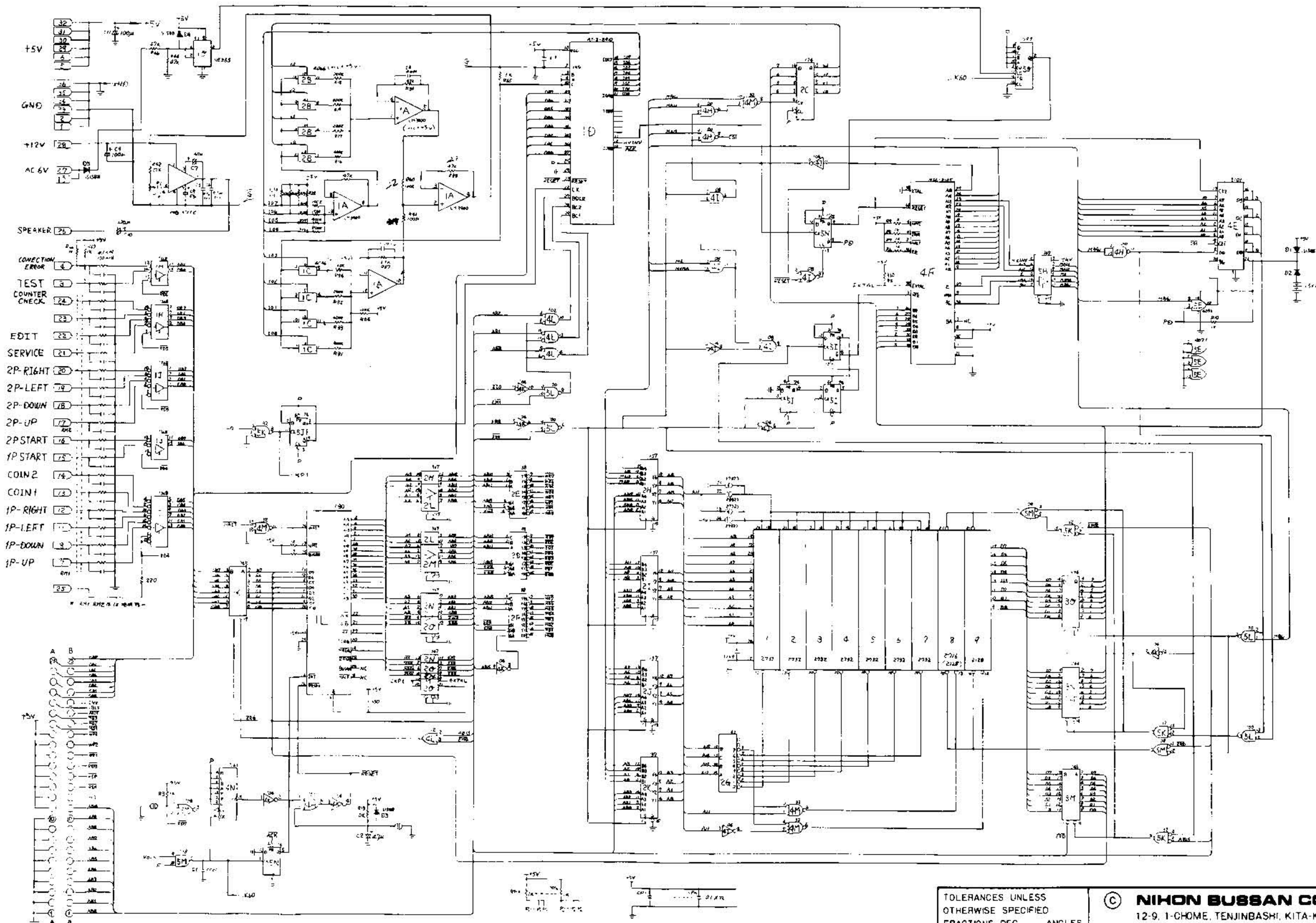
TOLERANCES UNLESS OTHERWISE SPECIFIED  
 FRACTIONS DEC ANGLES

© **NIHON BUSSAN CO., LTD.**  
 12-9, 1-CHOME, TENJINBASHI, KITA-KU, OSAKA, JAPAN  
 TELEPHONE OSAKA (06) 353-5211  
 TELEX NBCOOL J523-6891

APPROVALS	DATE
DRAWN S. SAKURAI	24/3/1980
CHECKED H. KITABATA	10/6/1980

<b>FRISKY TOM (FT-1B)</b> <b>SCHEMATIC</b>		SCALE	SIZE	DRAWING NO
				<b>B2002-A</b>
				SHEET



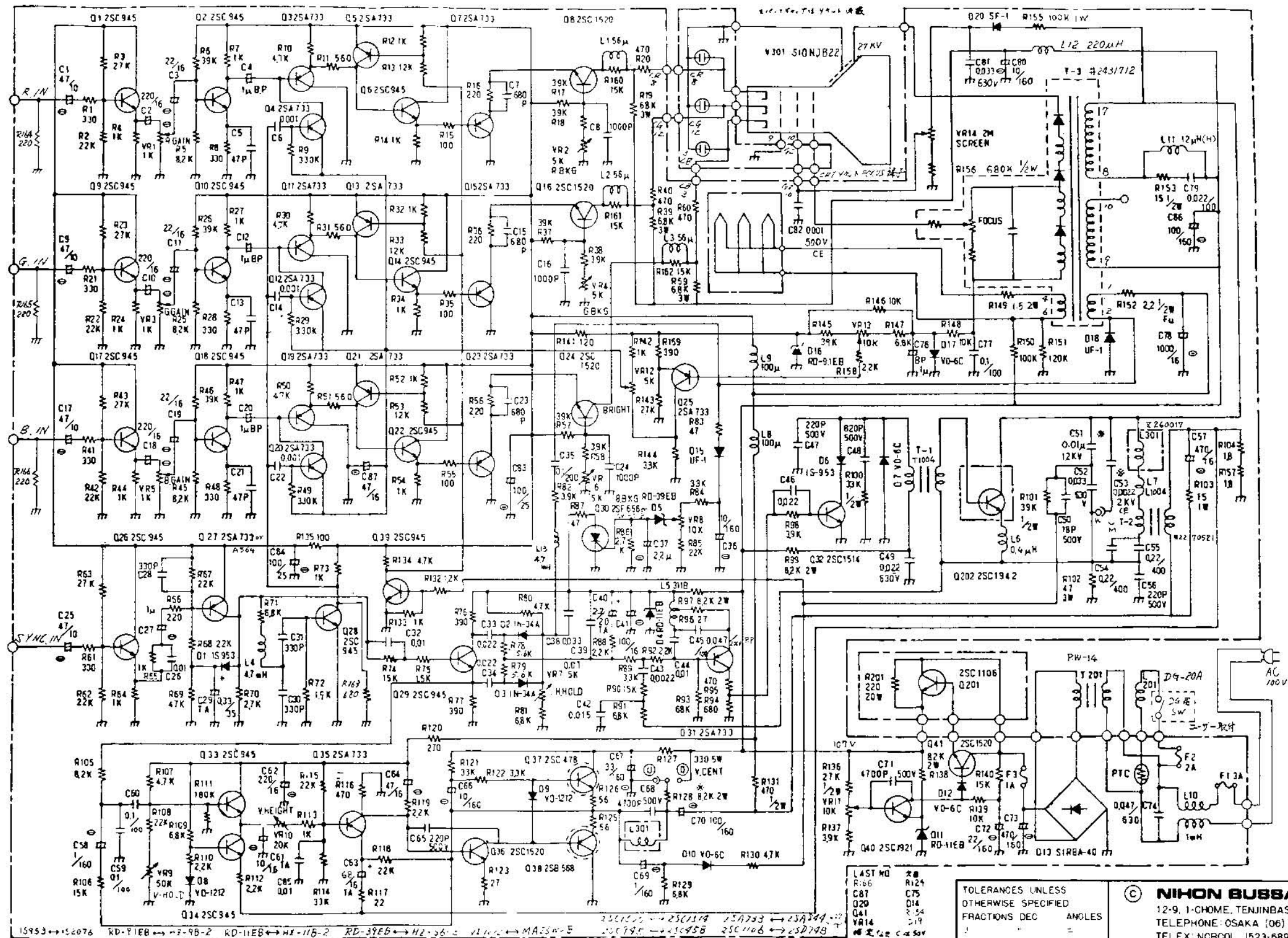


TOLERANCES UNLESS OTHERWISE SPECIFIED  
 FRACTIONS DEC ANGLES  
 ± = °

© **NIHON BUSSAN CO., LTD.**  
 12-9, 1-CHOME, TENJINBASHI, KITA-KU, OSAKA, JAPAN  
 TELEPHONE: OSAKA (06) 353-5211  
 TELEX: NCBQOL J523-6891

APPROVALS	DATE
DRAWN S.SAKURAI	24/3/1980
CHECKED H.KITABATA	10/6/1980

<b>FRISKY TOM FT-2B</b>		SCALE	SIZE	DRAWING NO.
			A1	B2001-A
SHEET				



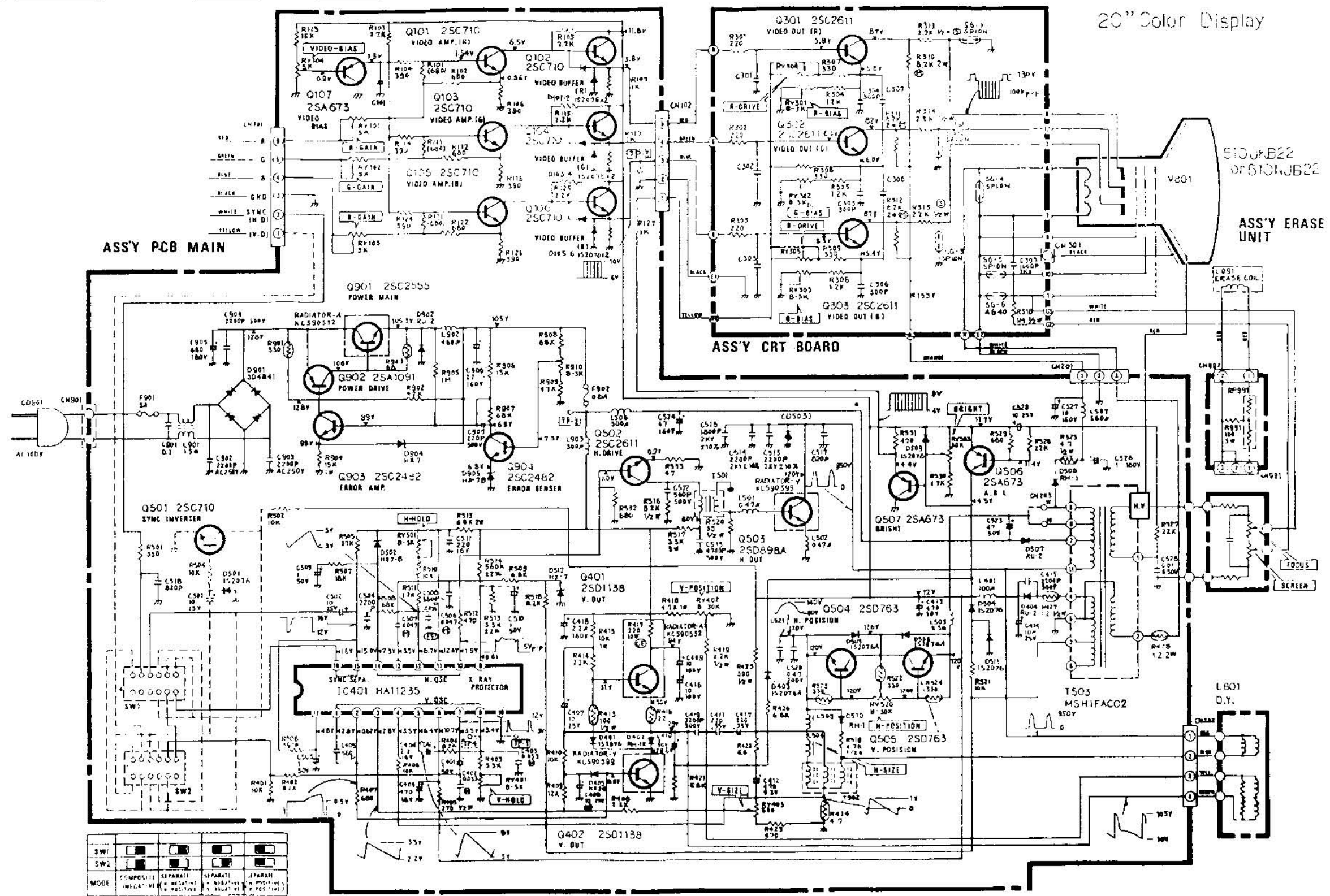
LAST NO. \*#  
 R166 C75  
 C87 C14  
 Q20 D14  
 Q41 R54  
 VR14 R19  
 \*#20 C450V  
 R1/2W

TOLERANCES UNLESS OTHERWISE SPECIFIED  
 FRACTIONS DEC ANGLES

© **NIHON BUSSAN CO., LTD.**  
 12-9, 1-CHOME, TENJINBASHI, KITA-KU, OSAKA, JAPAN  
 TELEPHONE: OSAKA (06) 353-5211  
 TELEX: NCB00L J523-6891

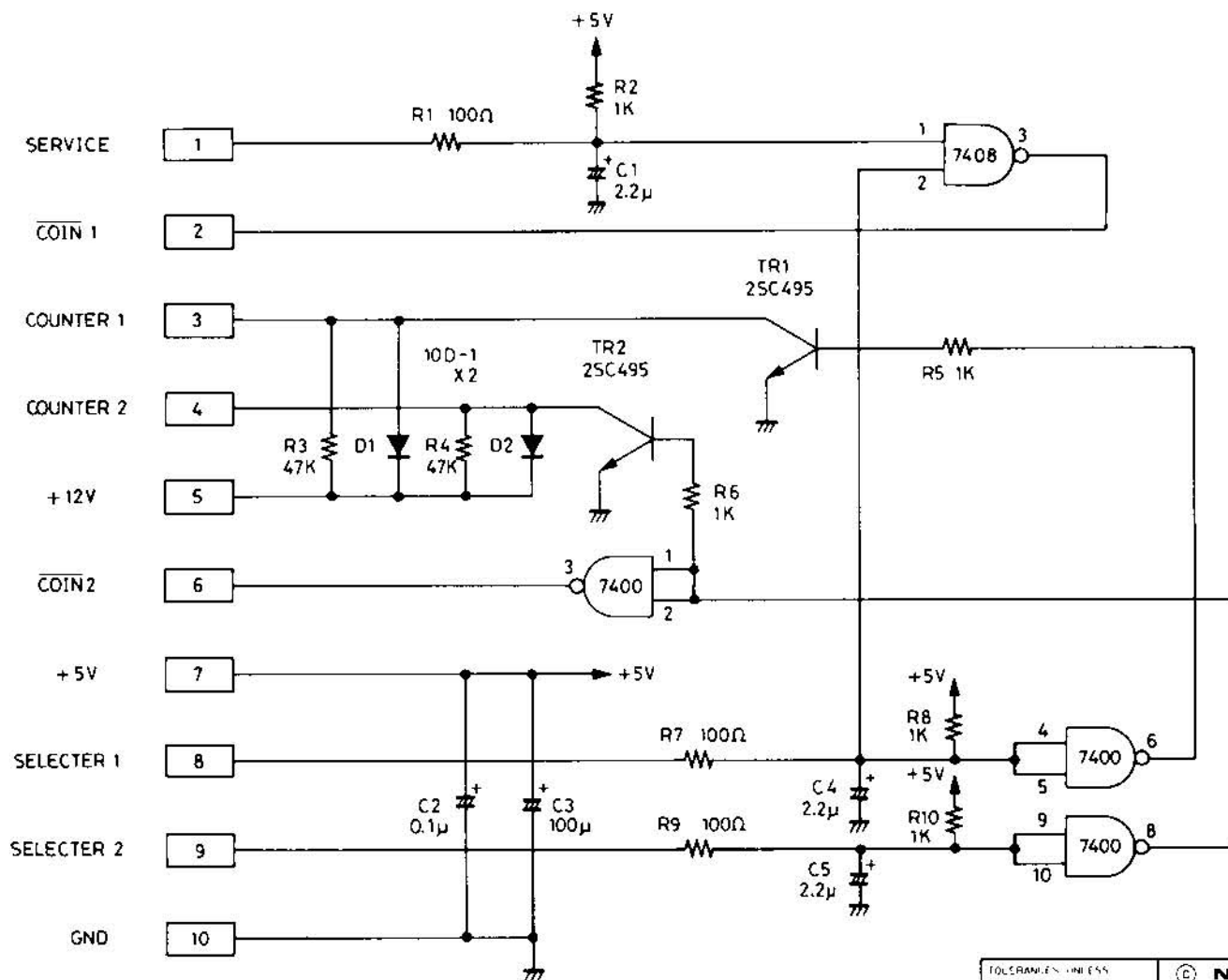
APPROVALS	DATE
DRAWN MIKAMI	17/1/80
CHECKED H.KITABATA	19/4/80

TOEI COLOR MONITOR CM-A20 HC		SCALE	SIZE	DRAWING NO.
				C-487
				SHEET



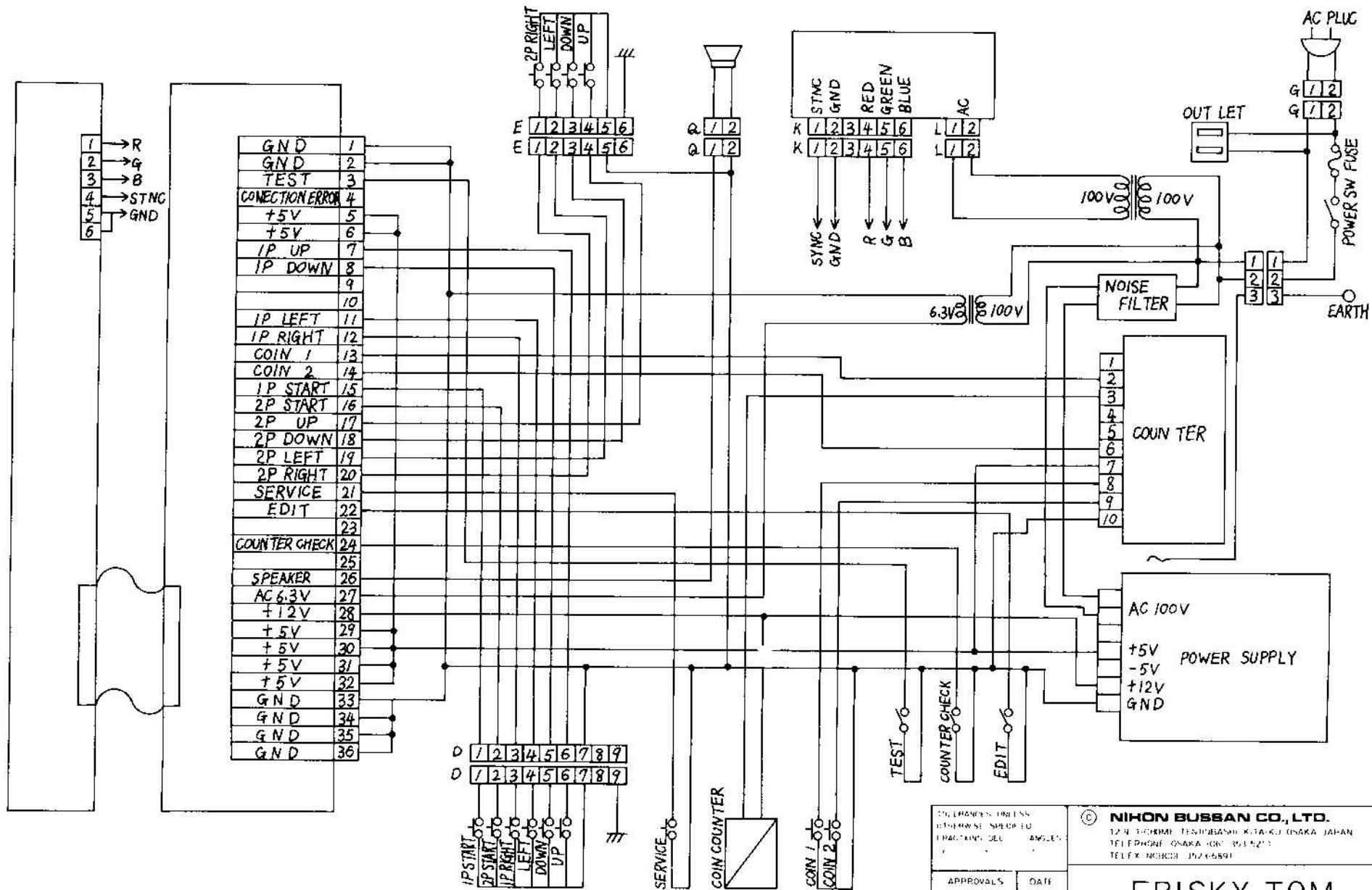
SW1	<input type="checkbox"/>	<input type="checkbox"/>	<input type="checkbox"/>	<input type="checkbox"/>
SW2	<input type="checkbox"/>	<input type="checkbox"/>	<input type="checkbox"/>	<input type="checkbox"/>
MODE	COMPOSITE	SEPARATE	SEPARATE	PARALLEL
	(NEGATIVE)	(POSITIVE)	(NEGATIVE)	(POSITIVE)

TOLERANCES UNLESS OTHERWISE SPECIFIED		FRACTIONS DEC. ANGLES		<b>© NIKON BUSSAN CO., LTD.</b> 12-9, 1-CHOME, TENJINBASHI, KITA-KU, OSAKA, JAPAN TELEPHONE: OSAKA (06) 353-5211 TELEX: NCB00L J523-6891	
APPROVALS	DATE	MITSUBISHI COLOR MONITOR			
DRAWN MIKAMI	13 3 80	KZ-20EN-A			
CHECKED H.KITABATA	19 4 80	SCALE	SIZE	DRAWING NO	
				C-476	
SHEET					



10P  
KEL

TOLERANCES UNLESS OTHERWISE SPECIFIED KRYTONS DEC ANGLES		© NIKON BUSSAN CO., LTD. 12-9-1 CHOME TENJINBASHI-KITA-KU, OSAKA JAPAN TELEPHONE OSAKA 106-3515/11 TELE X NCRGOL 59236991		
APPROVALS	DATE	<b>FRISKY TOM</b> <b>COIN COUNTER MS-5</b>		
DRAWN H. KITABATA	26 11 80			
CHECKED H. KITABATA	26 11 80			
		SCALE	SIZE	DRAWING NO.
				SHEET



此圖樣之印刷 未經正式許可 不得翻印或 轉讓其權利		© NIKON BUSSAN CO., LTD. 12-9, 1-10HOMI, TEIYUJIBANSHI, KITA-KU, OSAKA, JAPAN TELEPHONE: OSAKA (GN) 35, 54, 211 TELEFAX: NIKONCO 102, 64891	
APPROVALS	DATE	FRISKY TOM	
DRAWN			
CHECKED	SCALE	SIZE	DRAWING NO.
SHEET			



**Nichibutsu**  
Nihon Bussan Co., Ltd.

**HEAD OFFICE:**

12-9, 1-chome, Tenjinbashi, Kita-ku, Osaka, Japan TEL. (06) 353-5211 TELEX 523-6891 NC8COL J

**BRANCH OFFICE:**

TOKYO: TEL. (03) 664-5271 HIROSHIMA: TEL. (0822) 64-4531 NARA: TEL. (0742) 33-6311

SAPPORO: TEL. (011) 824-2571 SENDAI: TEL. (0222) 65-5571 KYOTO: TEL. (0774) 44-6262

**NICHIBUTSU GROUP:**

**Nichibutsu Kyushu Co., Ltd.** TEL. (092) 472-7221 **Nichibutsu Leisure System Co., Ltd.** TEL. (03) 664-6774

**Nichibutsu U.S.A. Corp.** 15407 So. Broadway Gardena, California, 90248, U.S.A.

TEL. (213) 320-5855 TELEX 9103496664 NCBTUSA TRNC

**Nichibutsu U.K. Ltd.**

999 Wolverhampton Road, Oldbury, West Midlands, B69 4RJ U.K.

TEL. (021) 544-4299 TELEX 335949 NICHUK G

**Nichibutsu Europe GmbH**

Paul-Ehrlich-Strasse 17 D-6074 Rödermark W. GERMANT

TEL. 06074-900 38/39 TELEX 4197717 NIED D