

SEGA®

CHOPLIFTER

INSTRUCTION MANUAL

FOR HORIZONTALLY
MOUNTED MONITOR

SEGA ENTERPRISES, INC.

2149 PARAGON DR. SAN JOSE, CA 95131

(408) 435-0201

CONTENTS

- RECOMMENDED WIRING DIAGRAM
- WIRING ROUTING (MAIN HARNESS)
- WIRING ROUTING (CONTROL PANEL HARNESS)
- OPTION SWITCHES / DC POWER REQUIREMENTS
- KIT CONTENTS

CONVERSION KIT CONTENTS

- PC Board
- Generic Main Wiring Harness
- Control Panel Wiring Harness
- 8 Way Joystick Assembly
- Screws and Nuts for Joystick (4)
- Push Button Assemblies (6)
- Control Panel Overlay
- Monitor Card
- Side Decals (2)
- Plastic Marquee
- Instruction Manual
- License Seal

PREVENTION OF COUNTERFEITING AND CONVERSION

LABELING

To prevent counterfeits and conversions, the following labels are put on all the SEGA products. When handling such goods, be sure to confirm the labels. They are used to prevent illegal acts such as the unauthorized copying of the products and the printed circuit boards thereof or carrying on business by manufacturing similar merchandise or by converting, selling or using such products or printed circuit boards.

ORIGINAL SEAL

The following seal is put on the machines manufactured by SEGA.



LICENSE SEAL

The following seal is put on the kits, such as the printed circuit boards, of SEGA products.



COPYRIGHT NOTICE

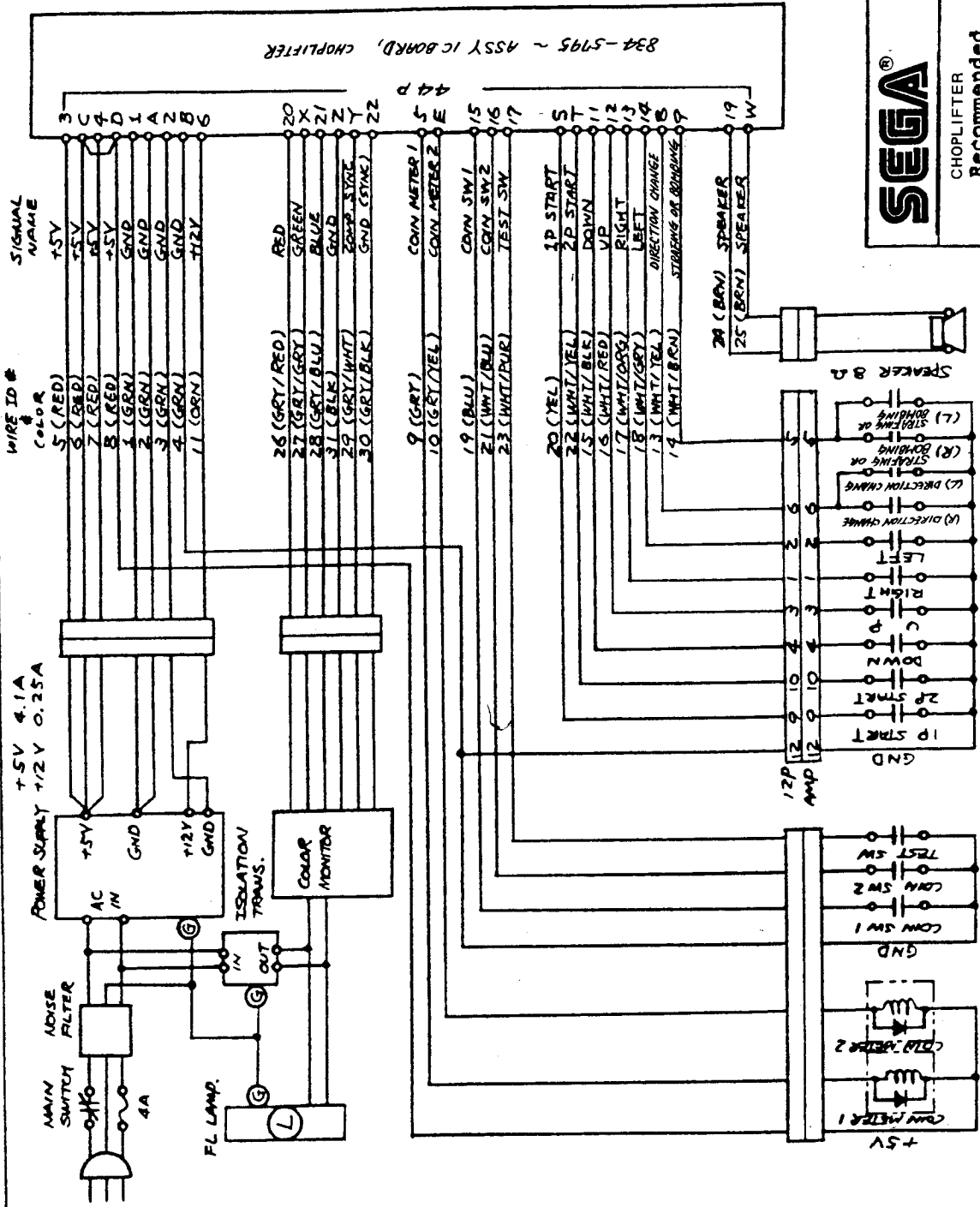
This SEGA product has the copyright notice as follows:

© SEGA 1985

This signifies that this work was disclosed in 1985 and is the property of SEGA ENTERPRISES, LTD.

NOTICE WARNING

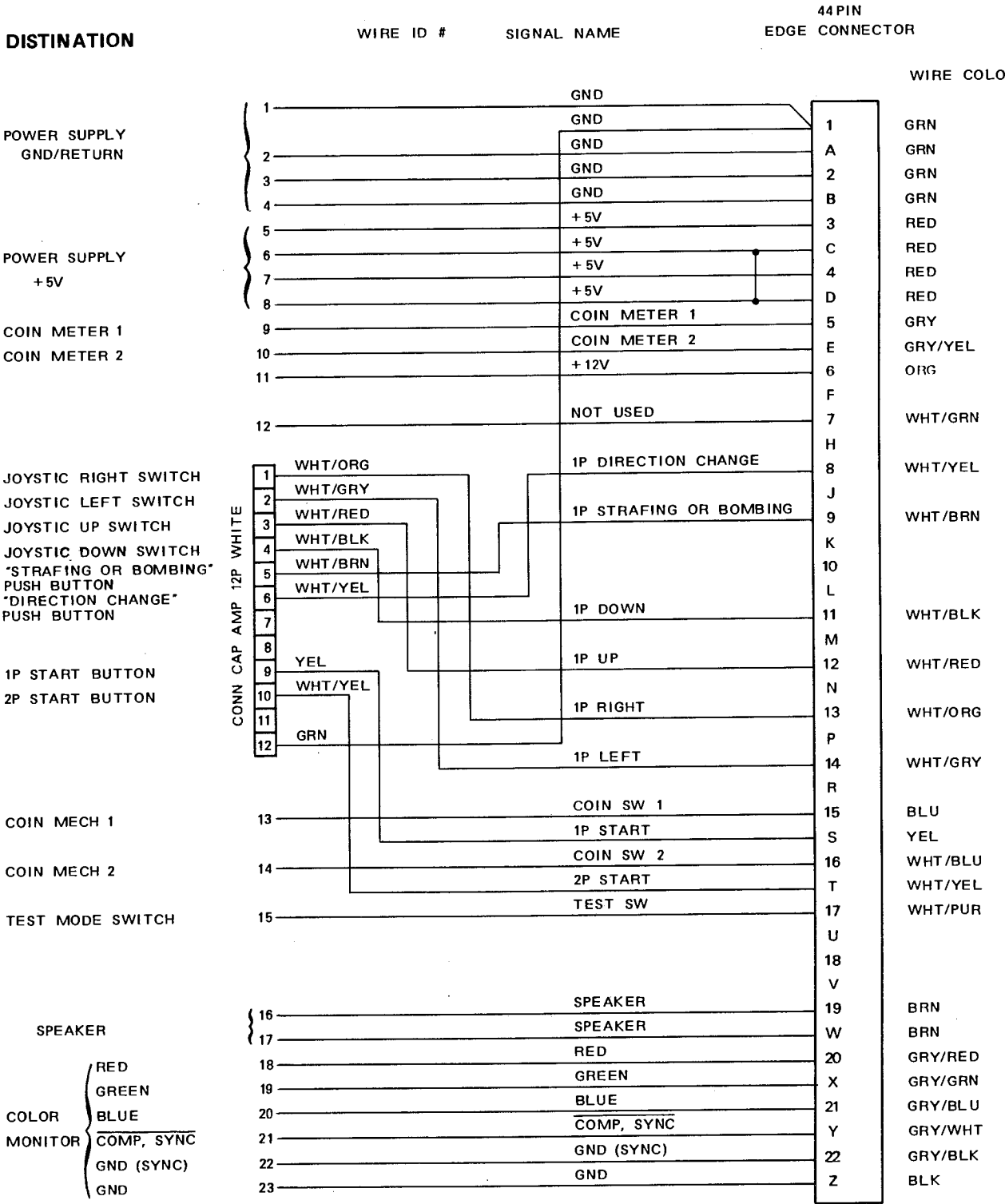
After installation of this kit , the 5 volt power supply must be checked and adjusted to make certain exactly 5 volts are present at pins 1 & 3 (1 is negative and 3 is positive) of the 44 pin edge connector. The voltage check and adjustment must be done while the PCB is plugged in to the 44 pin connector to supply the proper load. This PCB will not operate properly on voltages below 5 volts as measured at the board.



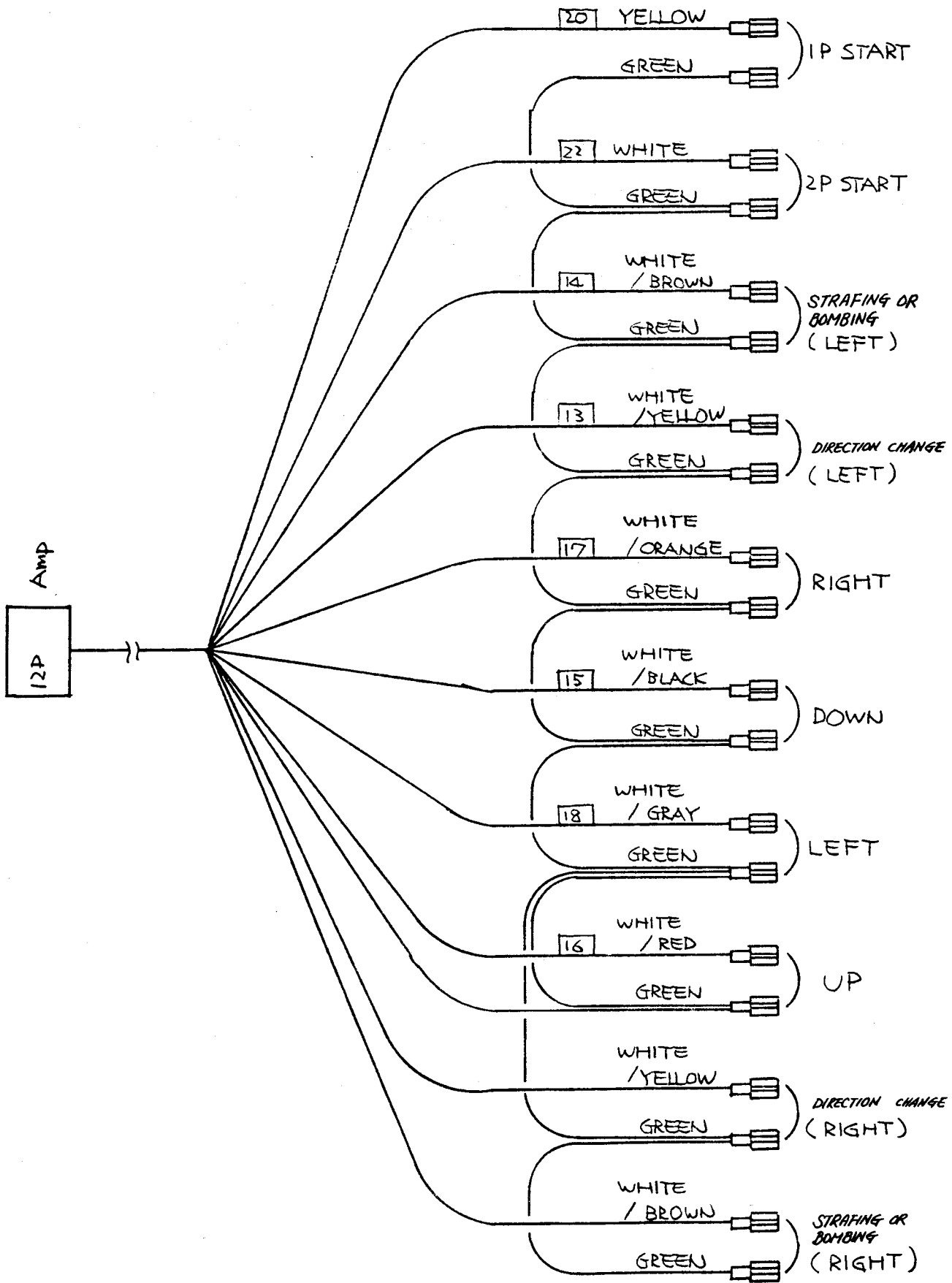
SEGA

CHOPFLIFTER
Recommended
Wiring Diagram

5/2/78



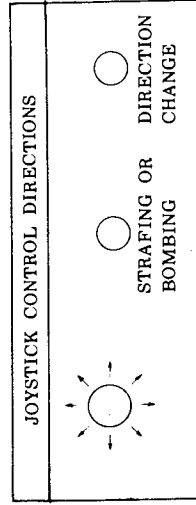
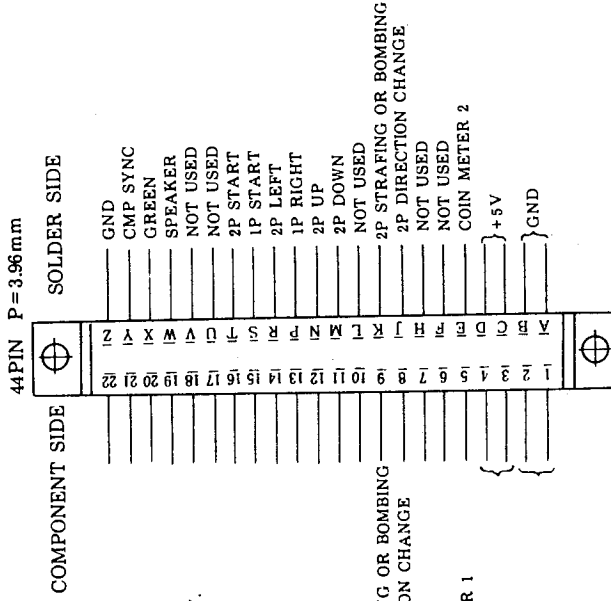
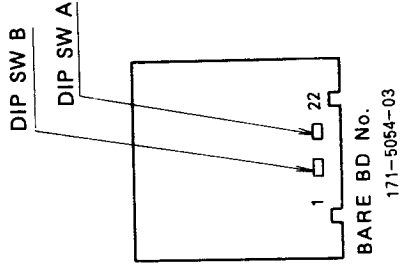
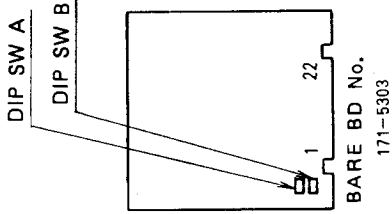
CHOPLIFTER WIRE ROUTING



CONTROL PANEL HARNESS

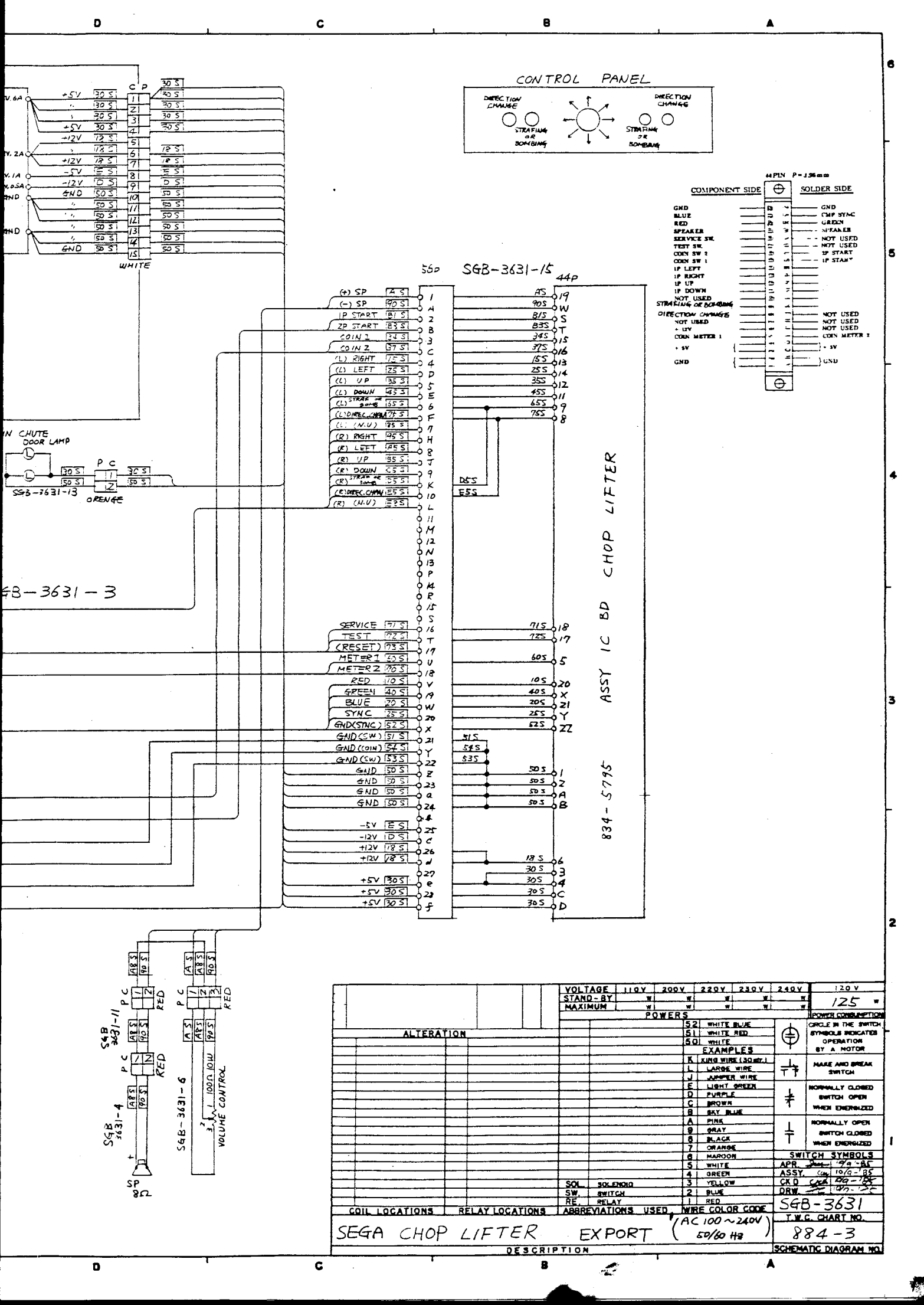
CHOPLIFTER (834 - 5795)

COIN / CREDIT OPTION SWITCH SETTING	DIP SWITCH #A							
	1	2	3	4	5	6	7	8
1 COIN 1 CREDIT	OFF	OFF	OFF	OFF	OFF	OFF	OFF	OFF
1 COIN 2 CREDITS	ON	OFF	OFF	OFF	OFF	OFF	OFF	OFF
1 COIN 3 CREDITS	ON	ON	OFF	OFF	OFF	ON	OFF	OFF
1 COIN 4 CREDITS	ON	ON	OFF	OFF	OFF	ON	OFF	OFF
1 COIN 5 CREDITS	ON	OFF	ON	OFF	OFF	ON	OFF	OFF
1 COIN 6 CREDITS	ON	OFF	ON	OFF	OFF	ON	OFF	OFF
2 COINS 1 CREDIT	ON	ON	ON	OFF	OFF	ON	OFF	ON
2 COINS 1 CREDIT	ON	OFF	OFF	ON	OFF	ON	OFF	ON
2 COINS 2 CREDITS	ON	ON	ON	ON	OFF	ON	OFF	ON
2 COINS 3 CREDITS	ON	ON	ON	ON	OFF	ON	OFF	ON
2 COINS 4 CREDITS	ON	ON	ON	ON	OFF	ON	OFF	ON
2 COINS 5 CREDITS	ON	ON	ON	ON	OFF	ON	OFF	ON
2 COINS 6 CREDITS	ON	ON	ON	ON	OFF	ON	OFF	ON
1 COIN 1 CREDIT	ON	OFF	ON	ON	ON	OFF	ON	ON
2 COINS 1 CREDIT	ON	ON	ON	ON	ON	ON	ON	ON
1 COIN 1 CREDIT	ON	ON	ON	ON	ON	ON	ON	ON

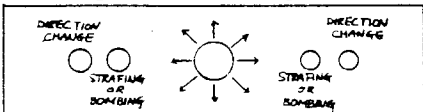


SUPPLY VOLTAGES & CURRENT	
VOLTAGE	CURRENT
DC5V	4.5 A
DC12V	0.25 A

OPTION SWITCH SETTING	DIP SWITCH #B							
	1	2	3	4	5	6	7	8
TABLE UPRIGHT	OFF	ON						
ADVERT TISE SOUND	OFF	ON						
PLAYER HELICOPTER	3	2	4	FREE				NOT USE
SCORE OF ADDITIONAL PLAYER	20000, 70000	120000, 170000	50000, 100000	150000, 200000		OFF	ON	
GAME DIFFICULTY	EASY	HARD					OFF	ON



CONTROL PANEL



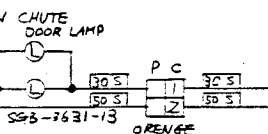
COMPONENT SIDE SOLDER SIDE

GND	1	GND
BLUE	2	COMP SYNC
RED	3	GREEN
SPEAKER	4	SPEAKER
SERVICE SW	5	NOT USED
TEST SW	6	NOT USED
COIN SW 2	7	IP START
COIN SW 1	8	IP STAM
IP LEFT	9	NOT USED
IP RIGHT	10	NOT USED
IP UP	11	NOT USED
IP DOWN	12	NOT USED
NOT USED	13	NOT USED
STRAILING OR BOMBING	14	NOT USED
NOT USED	15	NOT USED
+12V	16	COIN METER 1
+5V	17	+5V
GND	18	GND

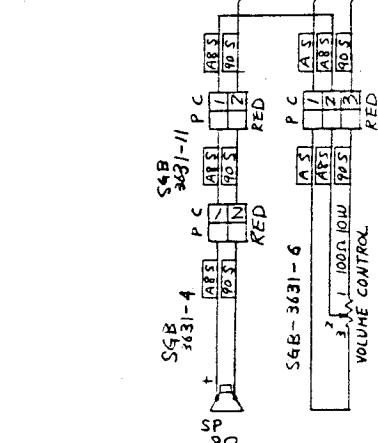
55P SGB-3631-15 44P

(+) SP	A S	1	AS	19
(-) SP	90 S	2	90 S	W
IP START	81 S	3	81 S	S
2P START	83 S	4	83 S	T
COIN 1	34 S	5	34 S	15
COIN 2	87 S	6	37 S	16
(L) RIGHT	72 S	7	15 S	13
(L) LEFT	123 S	8	25 S	14
(L) UP	35 S	9	35 S	12
(L) DOWN	43 S	10	45 S	11
(L) STRAILING OR BOMBING	55 S	11	65 S	9
(L) DIRECTION CHANGE	75 S	12	75 S	8
(L) (N.U.)	95 S	13		
(R) RIGHT	95 S	14		
(R) LEFT	95 S	15		
(R) UP	85 S	16		
(R) DOWN	85 S	17		
(R) STRAILING OR BOMBING	85 S	18		
(R) DIRECTION CHANGE	85 S	19		
(R) (N.U.)	85 S	20		
		21		
		22		
		23		
		24		
		25		
		26		
		27		
		28		
		29		
		30		
		31		
		32		
		33		
		34		
		35		
		36		
		37		
		38		
		39		
		40		
		41		
		42		
		43		
		44		

ASSY IC BD CHOP LIFTER
834-5795



SGB-3631-13



VOLTAGE		110V	200V	220V	230V	240V	120V
STAND-BY		W	W	W	W	W	W
MAXIMUM		W	W	W	W	W	125 W
POWERS							
52	WHITE BLUE						
51	WHITE RED						
50	WHITE						
EXAMPLES							
K	RAIN WIRE (SIGNAL)						
L	LASSER WIRE						
J	JAMPER WIRE						
F	LIGHT GREEN						
D	PURPLE						
C	BROWN						
B	SKY BLUE						
A	PINK						
9	GRAY						
8	BLACK						
7	ORANGE						
6	MAROON						
5	WHITE						
4	GREEN						
3	YELLOW						
2	BLUE						
1	RED						
COIL LOCATIONS RELAY LOCATIONS ABBREVIATIONS USED WIRE COLOR CODE							
SEGA CHOP LIFTER EXPORT (AC 100~240V) T.W.G. CHART NO. 884-3							
DESCRIPTION SCHEMATIC DIAGRAM NO.							