

ROMSTAR™ Bloody Wolf

ROMSTAR™ Inc.
DEDICATED / UNIVERSAL KIT
(Horizontal 2 Player, 2 Joystick, 3 Button Game)



INSTRUCTION MANUAL

Before You Get Started . . . Stop!

1. Does your **new game** package include all listed parts? (Is it complete?)
2. Is the game you have chosen to transform able to supply all the required voltages for the **new game**?

Note: Some games, (i.e. Ms. Pac Man, Galaxian, etc.) regulate their voltages on the main P.C.B. This makes the existing power supply inefficient. These games will require a change in power supply for your **new game**. Many game supply houses can offer you a switching regulated power supply for a relatively low cost.

3. Is the monitor configuration compatible? In most games it is rather difficult to change the monitor from a vertical mount to a horizontal mount. We recommend you choose a game cabinet with the same mount as your **new game** requires.
4. Do you have the necessary tools? (See the recommended tool list)

Caution

F.C.C. Regulation Compliance

This is to avoid radio frequency radiation and comply with the limits for a class "A" computing device pursuant to sub-part "J" of part 15 of F.C.C. rules, which are designed to provide reasonable protection against interference when operated in a commercial environment.

Operation of this equipment in a residential area is likely to cause interference — in which case, the user at his own expense, will be required to take whatever measures may be required to correct the interference.

Metalized FCC compliance label **must** be attached and visible on the outside of the cabinet (rear) upon completion of installation.

Recommended Tools and Supplies

ROMSTAR **new game** package.
Phillips and Slot Screwdrivers
Socket Set
Enthusiastic Attitude
Wire Cutters and Strippers
Pliers or Channel Locks
Planning and Careful Thought
Electric Drill
3/32" • 1/4" • 7/16" Drill Bits
1/4" Plex Bit
1-3/16" Chassis or Sheet Metal Punch
1 1/4" Plex Hole Saw
Glass of Water and a Snack
Small File
Razor Knife and Sharp Blades
Straight Edge
Patience
Common Sense

Painting Supplies (if you do your own painting)
Paint Brush and Paint (don't forget the primer)
Paint Roller and Pan
Sand Paper
Putty Knife and Wood Putty
A Good Night's Sleep
Staple Gun and Staples
Soldering Iron and 60/40 **Resin Core** Solder
Vacuum Cleaner
Assorted Fastening Hardware
Shrink Tubing: 3/32" • 1/8" • 3/16"
Masking Tape
3 1/2" OR 4" Wire Ties
Spray Window Cleaner and Rags
(baby diapers work GREAT!)

Dip Switch Tables

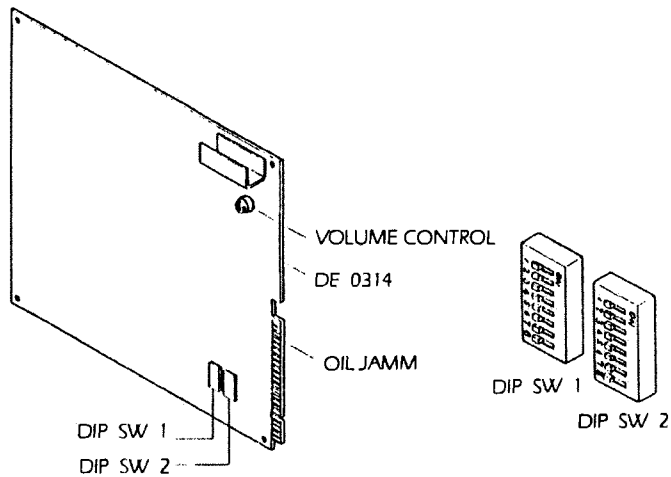
Optimize Your Profits

Thorough Research shows that two and a half minute games both satisfy players and also keep the quarters flowing.

If games aren't running about two and a half minutes long, then collections probably aren't at their peak. You'll want to tailor your game to your location. The trick is to adjust a few DIP switches. (See the chart in this book.) It's easy!

DIP SWITCH 1					
NO.	SETTING				REMARKS
1	OFF	ON	OFF	ON	COIN/CREDIT COIN-MECH (RIGHT)
2	OFF	OFF	ON	ON	
	1 COIN 1 PLAY	1 2	2 1	3 1	
3	OFF	ON	OFF	ON	COIN/CREDIT COIN-MECH (LEFT)
4	OFF	OFF	ON	ON	
	1 COIN 1 PLAY	1 2	2 1	3 1	
5	OFF				DON'T CHANGE
6	OFF		ON		SOUND IN ATTRACT MODE
	YES		NIL		
7	OFF				DON'T CHANGE
8	OFF				

DIP SWITCH 2					
NO.	SETTING				REMARKS
1	OFF	ON	OFF	ON	NUMBER OF LIVES (GAGE)
2	OFF	OFF	ON	ON	
	3	2	1	00	
3	OFF	ON	OFF	ON	DIFFICULTY SETTING
4	OFF	OFF	ON	ON	
	NORMAL	EASY	HARD	HARDER	
5	OFF		ON		BUY-IN MODE (CONTINUE MODE)
	YES		NO		
6	OFF				DONT CHANGE
7	OFF				
8	OFF				



Installation Procedures

Something To Think About

Your final product will be a **new game**.

You have made a wise decision to transform a game that has seen better days in the all important cash box into a **new game**. This is by far the most cost effective alternative to maximize the return of your initial investment. All you provide is the cabinet with a power supply and a monitor. Oh yes, you will need a touch of elbow grease. And that's it! We provide the rest. The end result is . . . a **new game** at a very low cost.

Fact: Spend a little time on the cabinet's appearance (i.e. marquee, control panel and cabinet graphics). With a little paint, some wood putty and new lights, you will raise the profits of any game . . . especially with the introduction of a **new game** package.

The **new game** look should always apply to the inside of your game as well as the outside. A few wire ties and shrink tubing on your harness; some fastening hardware on your subassemblies and a sweep with the ol' vacuum cleaner will ensure that unnecessary *glitches* do not occur.

Remember: You are creating a **new game** .

If you have any questions or just need some advice on any of your **new game** transformations, don't hesitate in giving a member of our technical staff a call.

Let's Get Our Hands Dirty

Preparing the Original Game for the New Game

Remove the following:

1. Main logic board(s)
2. Control panel
3. Monitor plexiglass
4. Monitor Bezel
5. Marquee
6. Graphics

I would recommend painting your cabinet to give it a fresh new look. (If it is geographically inconvenient to make use of our facilities, you may consider having an auto body shop take care of your painting needs.)

If your cabinet has wood grain sides; remove old graphics and adhesive (adhesive may be removed with **lacquer** thinner.

If you intend to use your original plexiglass, be sure it is in mint condition or it should be replaced.

Thoroughly clean out your cabinet.

Time To Install Your New Goodies

Before You Start . . . Remember DO NOT Do This Work With The Power On!

Logic P.C.B. Cage

Mount the logic cage securely (away from power supply).

- A Mark and drill pilot holes (3/32").
- B Place the logic cage (bottom) over the holes and secure it with the supplied wood screws.
- C Install the P.C.B. into the logic cage. Use feet and spacers supplied and adjust them so that the screws will go through the slots into the cage bottom.

Note: Leave the cage cover off until you have attached the entire wire harness and have tested the game for proper operation.

Wire Harness

Attach the wire harness connector to the main logic board. **CAUTION:** Sometimes the connector is not keyed and it is very easy to install it reversed on the logic board. Even if it is keyed, always **triple check** to be sure the wire inputs were connected correctly to the connector and the connector to the logic board.

Connecting the Wire Harness to the Existing Wires

When you hook up the control panel, power supply, monitor or other subassemblies that remain in the game cabinet to your new wire harness, try and use their existing secondary connectors.

1. Cut the original wire approximately three inches from the original connector. Strip off about one half inch of insulation.
2. Solder the new wire designated for that position to the original wire you just stripped.

Warning: DO NOT JUST TIE THE WIRES TOGETHER. THIS CAN CAUSE NAGGING INTERMITTENT PROBLEMS THROUGH LOOSE CONNECTIONS OR OXIDATION OR BOTH. **Always take the time to do it right.**

3. Melt shrink tubing around all your in-line wire connections. Do not use electrical tape. Tape could unravel over a period of time due to the cabinet heat and cause you a great deal of trouble.
4. Use wire tie wraps, and secure the cable to the cabinet whenever it seems necessary. Remember this is a **new game**, not a sloppy conversion.

Power Wires

1. Connect the wires that are designated for your power supply. You will need a supply of +5V, +12V & ground. Your **new game** package may not require all of the voltages that were used in the original game. Tie off any unused wires.
2. You will notice that you probably have more than one wire for each voltage. It is a good idea to use all wires supplied (double up if it is necessary). This will help to ensure that you don't overload the edge connector pins and cause them to "burn".

Monitor Wires

You will be connecting the wires designated for the RED, GREEN & BLUE video guns along with the SYNC & GROUND wires.

NOTE . . . CONCERNING SYNC:

Your **new game** only calls for one sync wire connection, this is called **composite sync** (horizontal and vertical tied together). This composite sync is also **negative**. Most monitors have supply positions for both negative and positive sync. You can check your monitor manual or call our technical department for assistance.

Speaker Wires

Find the two wires that are designated for the speaker and hook 'em on up.

Coin Door Wires

1. Connect the designated wires to the coin switches and meter.
2. You can connect your door lamps to the unused -5V power supply. Some games have separate power outputs for the coin door lamps.
3. Be sure to clean and lubricate your old coin mechanisms. Keep the money coming in.

GUESS WHAT?

You are almost done with the electrical connections of your **new game**. All you have left is the control panel wiring. But we are going to hold off on that for right now. We have a few other things we need to do first. So why don't you go ahead and get yourself a drink of water and stretch your legs. When you return, we can take a fresh look at your progress and then move forward.

Smoke Test

What Test?

Don't worry. All this means is that you are ready to apply power to the system for the first time and you pray that there will be no smoke from a simple oversight.

You are just about ready to power up the logic board. But first we need to recheck your work.

1. Carefully inspect the game for loose power wires, exposed connections and extra fastening hardware.
2. Make sure the logic board, board cage, monitor and power supply are securely fastened in place.
3. **Double check** the connectors to be sure they are wired and connected properly.
4. Set the dip switches on the logic board to the factory recommendations. (Refer to page 5.) Also, be sure you set the dip switches for "DEMO WITH SOUND". This will enable you to hear as well as see that your new P.C.B. is functional.

Time to Apply Power:

1. Look and smell for smoke. (TURN OFF IMMEDIATELY IF ANY IS NOTICED)
2. Listen for game sounds.

If after one minute you have not heard any sounds:

- A) Check for proper dip switch settings.
- B) Adjust volume control and check speaker connections.
- C) Check the +12V power supply to the logic board.

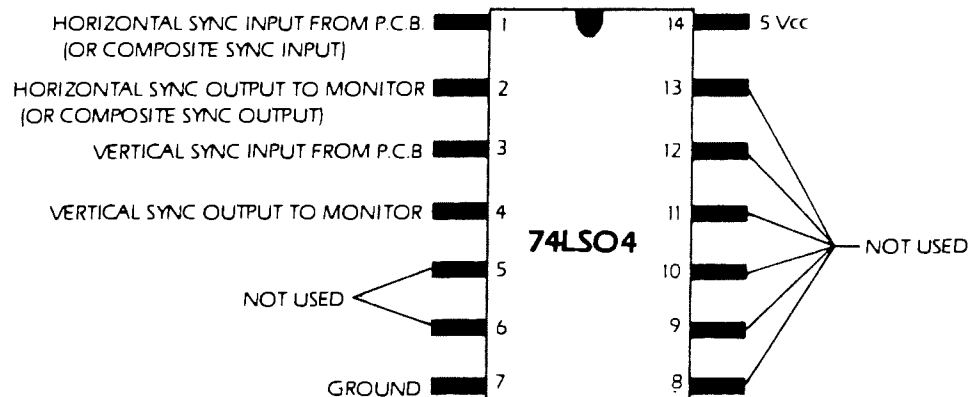
NOTE: If you do get sounds, but they are a little fuzzy, switch the wires around on the speaker.

3. How is the monitor image?

A) Is the picture in sync?

If your picture has the top and bottom halves of the screen reversed and it will not stop rolling, change your sync polarity on the monitor. (Positive to negative).

If your monitor does not have dual polarity positions for sync, then you will need to reverse the sync yourself by installing a simple one I.C. circuit between the logic board and the monitor. (The following illustration shows a hookup for both **composite** and **separate** syncs.



B) Now how's your picture?

- Is it centered?
- Is it too bright or dim?
- Is it in focus?

Check your monitor manual for these adjustments. If your screen looks "off", then your **new game** transformation may have been in vain. So let's take the time to make the monitor look great.

C) Is the picture upside-down?

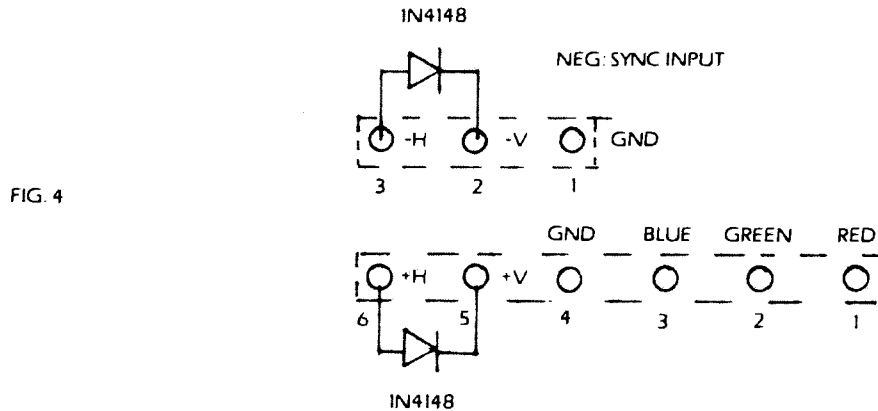
Dip switch 2 on switch bank A should solve your problems.

2. Horizontal Tearing

CAUSE: The negative sync signal of most logic sets are slightly different than the GO7-CBO monitor negative sync inputs. The result of this mismatch is a horizontal "wave" or "curl".

CURE 1: On the monitor deflection board, replace C 303 with a 10uf 25V radial lead capacitor with the positive lead towards the collector of X305. (CAUTION: be sure to check this step as the original cap is not polarized.) Then replace C501 with the cap removed from the C 303 location.

CURE 2: Connect 1N4148 fast-switching diodes across both the positive and negative sync inputs to the monitor. (See Fig. 4) **NOTE:** Both diodes must be installed or you will not have vertical stability.

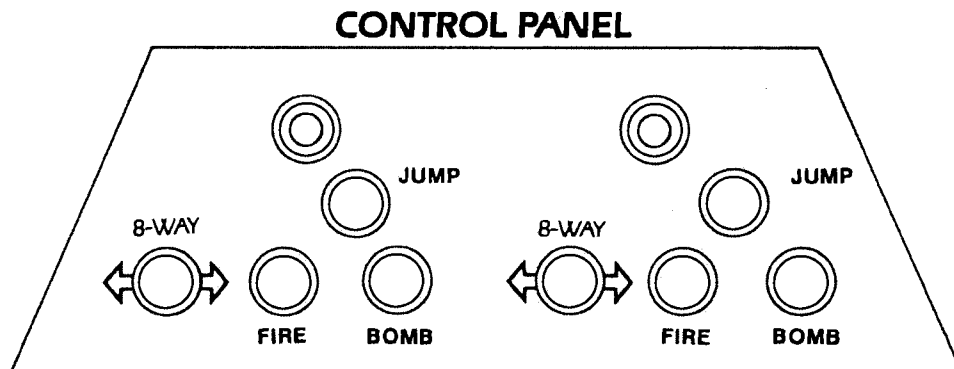


CURE 3: Join negative sync inputs J2 and J3 together with a jumper. Locate W102 and install a jumper from W102 to either J2 or J3.

CURE 3: For Wells-Gardner K4600 series monitors

Replace C356 (4.7uf 25V) on the Horizontal/vertical board (vertically mounted board nearest the flyback transformer) and center the horizontal hold pot. Turn L351 for the best horizontal stability and fine-tune with the horizontal width pot.

Control Panel Positioning



Control Panel Assembly

1. Remove the buttons, joysticks and wire harness and put them aside for now. Do not remove the original panel overlay until the new holes have been drilled.
2. Mark positions on the panel for the new holes.

ROMSTAR supplies a clear 1/8" thick piece of plexiglass with every **new game** package to cover the control panel. We feel that your **new game** investment is well worth protecting. . . and the control panel is the first place to show wear and tear.

 - You will need to cut this piece to size. Use the control panel as a template.
 - Use a razor knife to score the plexiglass **deeply**. Then use a pair of pliers to break away the extra plexiglass.
3. Now drill the holes in your panel that you have marked off for the *buttons, joystick and bolts*.

Hint: For best results, use a chassis or sheet metal punch for button holes.
4. Drill the same holes on your plexiglass panel protector. Once again use your panel as a template.

Hint: To avoid chipping while you are drilling the holes, place the plexiglass securely on a soft wood surface and use a plexiglass drill bit and hole cutter.
5. The holes are now all cut. Smooth them out on your panel and plexiglass with a fine toothed file.
6. Remove the original graphics overlay from the panel. Clean up the panel and install your **ROMSTAR** graphics.

Make It Easier: Peel the top half of the protective backing off of your graphics. Start from the center and smooth out your overlay. Make sure you have about an inch extra coming off the top. *No bubbles please*. Now peel off the bottom half and do the same as you did for the top.
7. Adhere the instruction and function labels.
8. Install the Plex Control Cover over your completed **new game** panel.

Note: Be sure to bolt the plexiglass securely to the panel.
9. Mount the joystick and the buttons to the panel and wire them up. (Use the existing Panel wiring if possible)

Marquee Installation

Using the original marquee as a template, Center your **new game** marquee graphics and score the new marquee deeply to fit the cabinet. Break off the excess with pliers.

Be sure the light behind the marquee works. Everything should **always work** on a new game.

Take your time ... Don't forget this is going to be a **new game**.

Side Graphic Installation

1. Be sure sides of game are clean and free of old adhesive, dust, etc.
2. Mark position of decal with erasable pen or pencil (centered on upper half of cabinet).
3. Peel off top 1/4 of decal backing and apply to cabinet with a smoothing motion (use a soft rag). Continue peeling off backing and smoothing.
4. Remove any small bubbles with a pin or razor blade (pop them!)

Finishing Touches

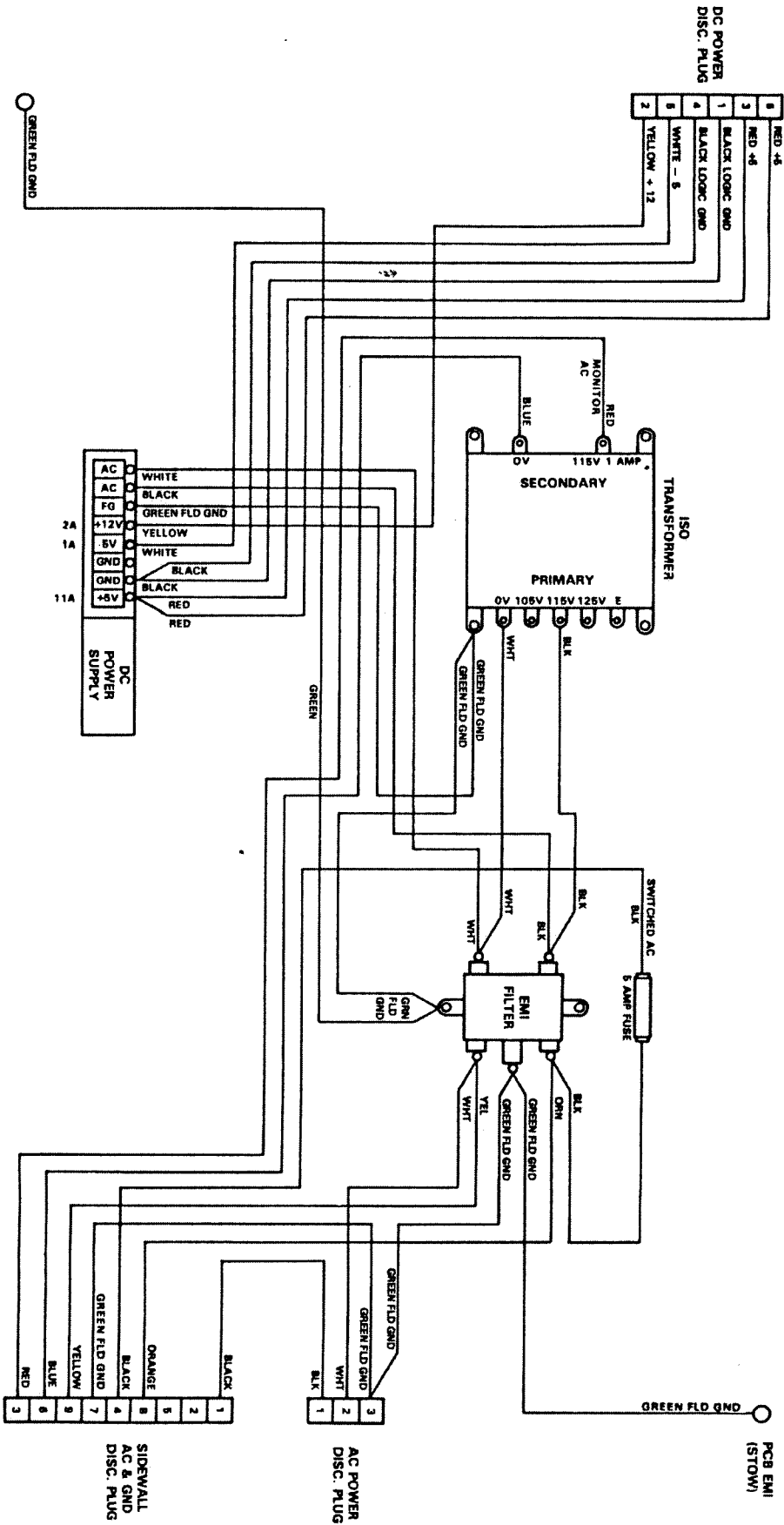
1. Check the game inside and out for any imperfections. Secure any loose wiring or fastening hardware.
2. Make sure the coin door is tight and the coin mechs are well adjusted. A game is no good to anybody if you can't get a coin into it.
3. Once again go over every step of this **new game** transformation in your mind. Be sure everything is correct and to your liking.
4. Power up the game.
 - A. Check all the coin switches. (Does the coin meter work?)
 - B. Play your **new game** .
 - Are all the player controls working?
 - Are the game sounds present?
 - Is the volume level proper?
 - Are the dip switches set properly?

Well, that's about it. Good Luck.

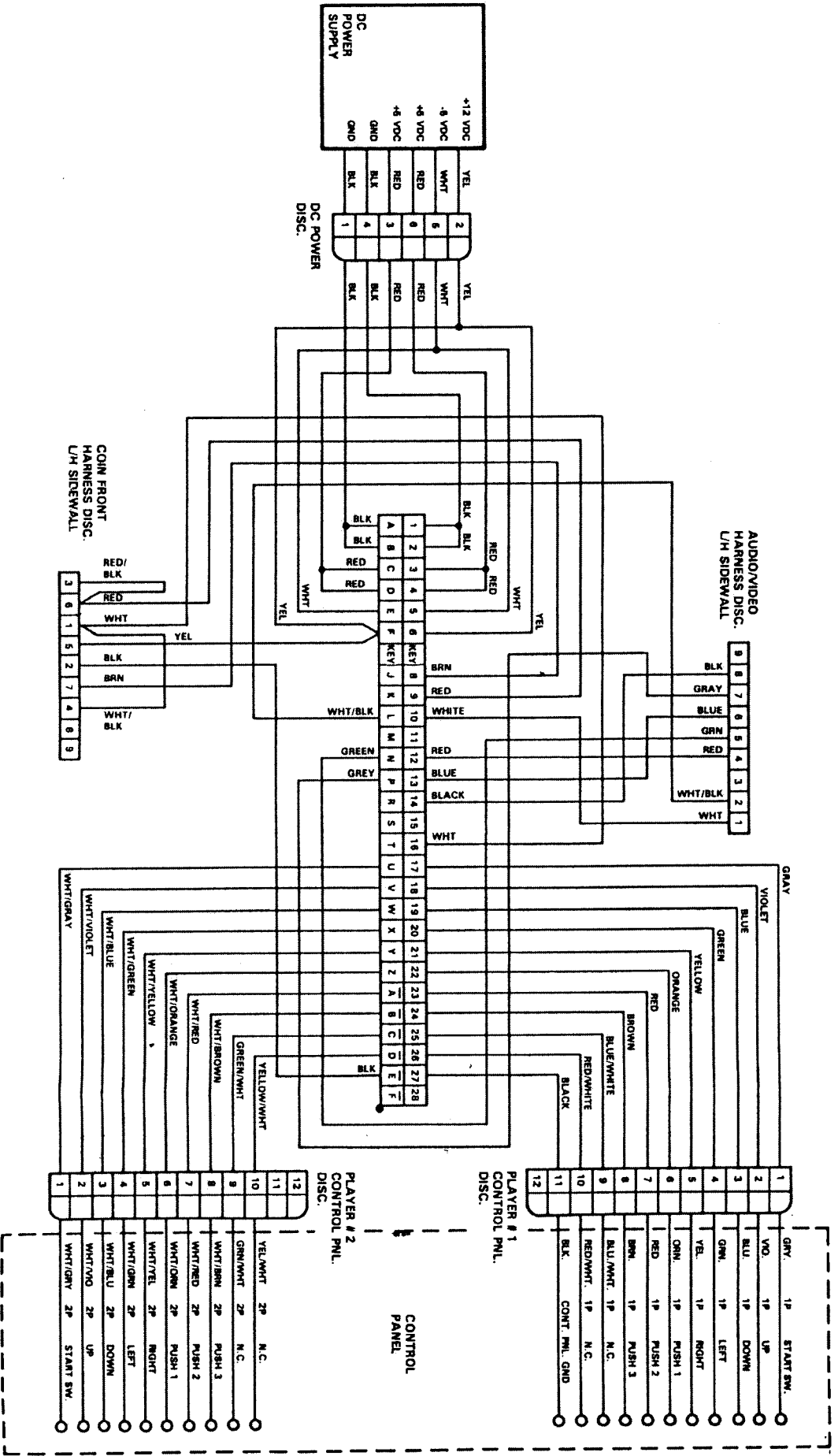
56 PIN EDGE CONN. PIN-OUT CHART (JAMMA COMPATIBLE)

WIRE COLOR	SOLDER SIDE		PARTS SIDE		WIRE COLOR
BLACK	GND	A	1	GND	BLACK
BLACK	GND	B	2	GND	BLACK
RED	+5V	C	3	+5V	RED
RED	+5V	D	4	+5V	RED
WHITE	-5V	E	5	-5V	WHITE
YELLOW/ YELLOW	+12V	F	6	+12V	YELLOW/ YELLOW
	KEY	H	7	KEY	
	COIN COUNTER 2	J	8	COIN COUNTER 1	BROWN
	COIN LOCK OUT 2	K	9	COIN LOCK OUT 1	RED
WHITE/BLACK	SP (-)	L	10	SP(+)	WHITE
OP.-BLU/BLACK	N.C.	M	11	N.C.	BLUE-OPTION
GREEN	VIDEO GREEN	N	12	VIDEO RED	RED
GRAY	VIDEO SYNC	P	13	VIDEO BLUE	BLUE
RED/BLACK	SERVICE SWITCH	R	14	VIDEO GND	BLACK
OP.-BRN/BLACK	TILT SW.	S	15	TEST SW.	BROWN
	COIN SW. 2	T	16	COIN SW. 1	WHITE
WHITE/GRAY	START SW. 2	U	17	START SW. 1	GRAY
WHITE/VIOLET	2P UP	V	18	1P UP	VIOLET
WHITE/BLUE	2P DOWN	W	19	1P DOWN	BLUE
WHITE/GREEN	2P LEFT	X	20	1P LEFT	GREEN
WHITE/YELLOW	2P RIGHT	Y	21	1P RIGHT	YELLOW
WHITE/ORANGE	2P PUSH 1	Z	2@	1P PUSH 1	ORANGE
WHITE/RED	2P PUSH 2	a	23	1P PUSH 2	RED
WHITE/BROWN	2P PUSH 3	b	24	1P PUSH 3	BROWN
GREEN/WHITE	N.C.	c	25	N.C.	BLUE/WHITE
YELLOW/WHITE	N.C.	d	26	N.C.	RED/WHITE
BLACK	GND	e	27	GND	BLACK
OPTION-BLACK	GND	f	28	GND	BLACK-OPTION

POWER SUPPLY - WIRING DIAGRAM



MAIN HARNESS WIRING DIAGRAM



ROMSTAR JAMMA HARNESS
VERSIONS 1 - 4

PLEASE REFER TO MAIN HARNESS
PIN-OUT FOR PINS Z, a, b, 22, 23, & 24.

JAMMA GE.BK

Wire Color	Solder Side	Parts Side	Wire Color
Black	Ground	Ground	Black
Black	Ground	Ground	Black
Red	+5VDC	+5VDC	Red
Red	+5VDC	+5VDC	Red
Yellow	+12VDC	+12VDC	Yellow
	Post	Post	
Red	Coin Counter 2	Coin Counter 1	Violet
Black	Coin Lockout	Coin Lockout	
Black	Speaker (-)	Speaker (+)	Gray
	N/A	N/A	
Green	Video Green	Video Red	Red
White	Video Sync <small>(comp/orig)</small>	Video Blue	Blue
Pink	Service Switch	Video Ground	Black
Yellow	Tilt Switch	Test Switch	Blue
Orange	Coin 2	Coin 1	Tan
Gray	2P Start	IP Start	Brown
Green	2P Up	IP Up	Green
Blue	2P Down	IP Down	Blue
Violet	2P Left	IP Left	Violet
Yellow	2P Right	IP Right	Yellow
Red			Red
Orange			Orange
	N/A	N/A	
	N/A	N/A	
Black	Ground	Ground	Black
Black	Ground	Ground	Black

Wire color / Stripe color

NOTE: Please refer to manual harness pinout for pins

JAMMA CA.BLU

Wire Color	Solder Side	Parts Side	Wire Color
Black	Ground	Ground	Black
Black	Ground	Ground	Black
Red	+5VDC	+5VDC	Red
Red	+5VDC	+5VDC	Red
White			White
Yellow	+12VDC	+12VDC	Yellow
	Post	Post	
Brown	Coin Counter 2	Coin Counter 1	Brown
Red	Coin Lockout	Coin Lockout	Red
Black	Speaker (-)	Speaker (+)	White
Blue	N/A	N/A	Blue
Green	Video Green	Video Red	Red
Gray	Video Sync <small>(comp/orig)</small>	Video Blue	Blue
Red	N/A	Video Ground	Black
Brown	N/A	N/A	Brown
White	SRVC Switch	Coin	White
Gray	2P Start	IP Start	Gray
Violet	2P Up	IP Up	Violet
Blue	2P Down	IP Down	Blue
Green	2P Left	IP Left	Green
Yellow	2P Right	IP Right	Yellow
Orange			Orange
Red			Red
Brown			Brown
Blue	N/A	N/A	Blue
Blue	N/A	N/A	Blue
Black	Ground	Ground	Black
Black	Ground	Ground	Black

Wire color / Stripe color